



US00D599231S

(12) **United States Design Patent**
Rosso et al.

(10) **Patent No.:** **US D599,231 S**
(45) **Date of Patent:** **** Sep. 1, 2009**

- (54) **FINGER GUARD FOR A T-SQUARE**
- (75) Inventors: **Aaron Charles Rosso**, Chicago, IL (US); **Matthew Earle Myers**, Naperville, IL (US); **Amar Arvind Patel**, South Barrington, IL (US); **Scott Fong**, Causeway Bay (HK)
- (73) Assignee: **United States Gypsum Company**, Chicago, IL (US)

4,060,902 A	12/1977	Keller	
4,279,081 A	7/1981	Wing et al.	
5,231,764 A	8/1993	Chang	
D376,988 S	12/1996	Bruno	
5,615,488 A	4/1997	Brady	
5,732,472 A	3/1998	Praye	
5,842,402 A	12/1998	Collier	
5,873,171 A	2/1999	Hsu	
6,305,093 B1 *	10/2001	Venola 33/451
6,851,201 B1	2/2005	Gioia et al.	
6,973,733 B2	12/2005	Levine	
2002/0095804 A1	7/2002	Coplan	

- (**) Term: **14 Years**
- (21) Appl. No.: **29/327,194**
- (22) Filed: **Oct. 31, 2008**

* cited by examiner

Primary Examiner—Antoine D Davis
(74) *Attorney, Agent, or Firm*—Greer, Burns & Crain, Ltd.; David F. Janci, Esq.; Pradip Sahu, Esq.

Related U.S. Application Data

- (60) Continuation of application No. 11/937,294, filed on Nov. 8, 2007, and a division of application No. 29/299,938, filed on Jan. 7, 2008, now Pat. No. Des. 586,246.

(57) **CLAIM**

The ornamental design for finger guard for a T-square, as shown and described.

- (51) **LOC (9) Cl.** **10-04**
- (52) **U.S. Cl.** **D10/74**
- (58) **Field of Classification Search** D10/65, D10/74; 33/429-482
See application file for complete search history.

DESCRIPTION

FIG. 1 is a top perspective view of the present finger guard; FIG. 2 is an enlarged top perspective view of the finger guard of FIG. 1; FIG. 3 is a front view of the finger guard of FIG. 1; FIG. 4 is a left side view of the finger guard of FIG. 1; FIG. 5 is a right side view of same; FIG. 6 is a top view of the finger guard of FIG. 1; and, FIG. 7 is a bottom view of same.

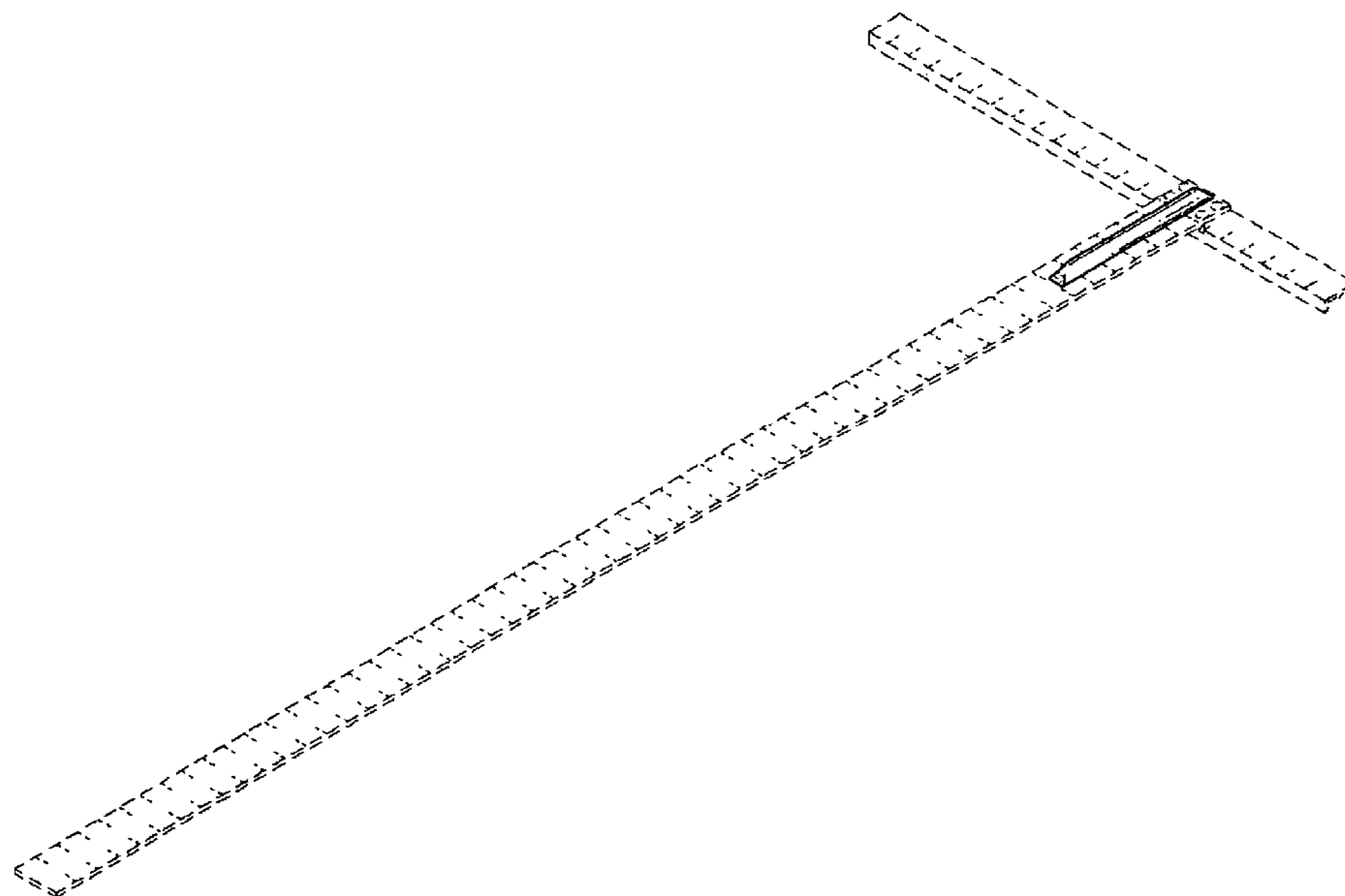
The broken lines are provided for environment purposes and do not constitute part of the invention claimed in the embodiment of FIG. 1.

(56) **References Cited**

U.S. PATENT DOCUMENTS

285,404 A	9/1883	Gardam	
566,195 A	8/1896	Leavitt	
1,082,626 A	12/1913	Foerst	
1,107,432 A *	8/1914	Mantz D10/65
2,200,019 A	5/1940	Boehme	
2,307,892 A	1/1943	Lowther	
2,724,184 A	11/1955	Spear, Jr.	
2,893,127 A *	7/1959	McIntosh 33/449
3,394,457 A	7/1968	Holder	

1 Claim, 5 Drawing Sheets



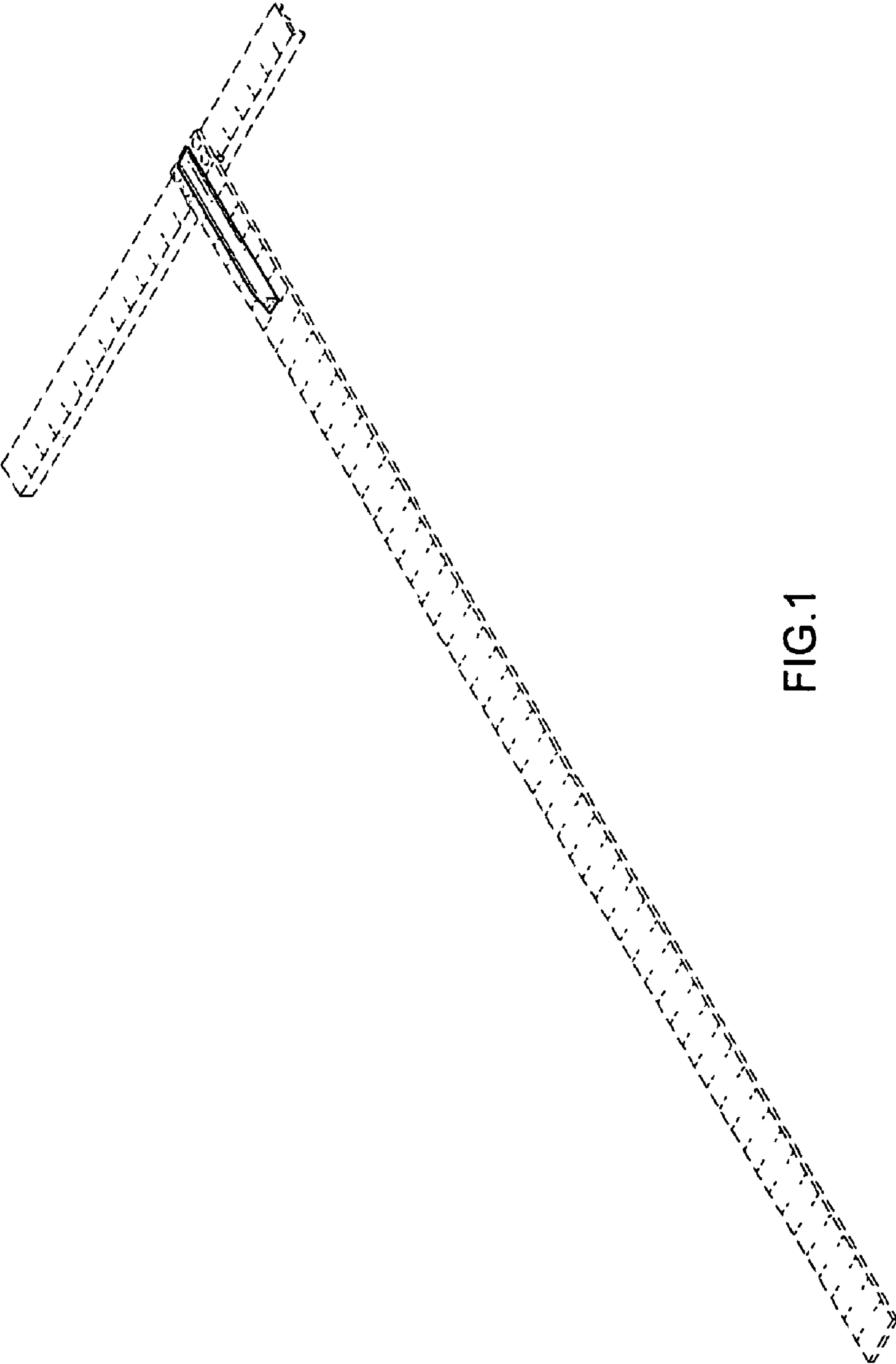


FIG. 1

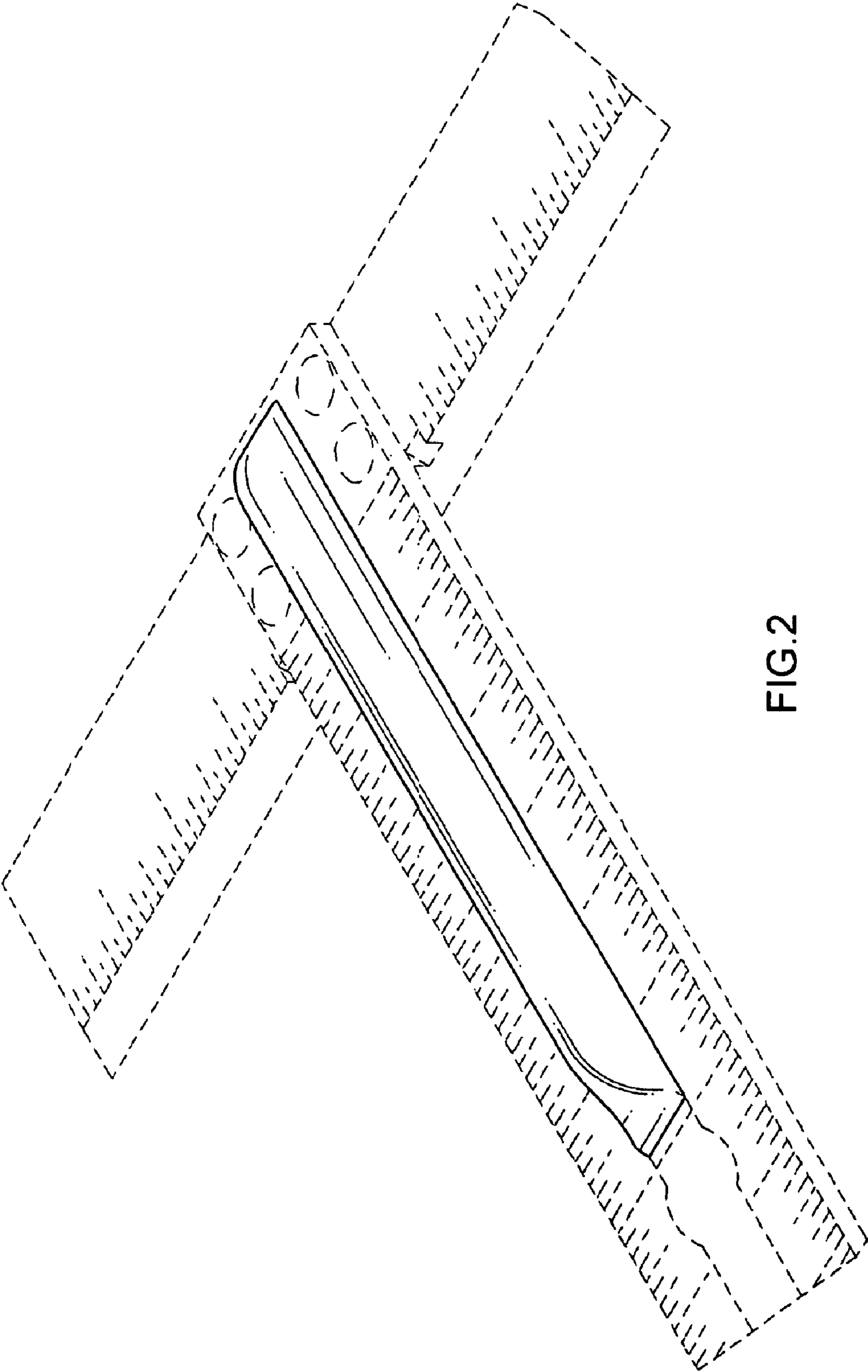


FIG.2

FIG. 3

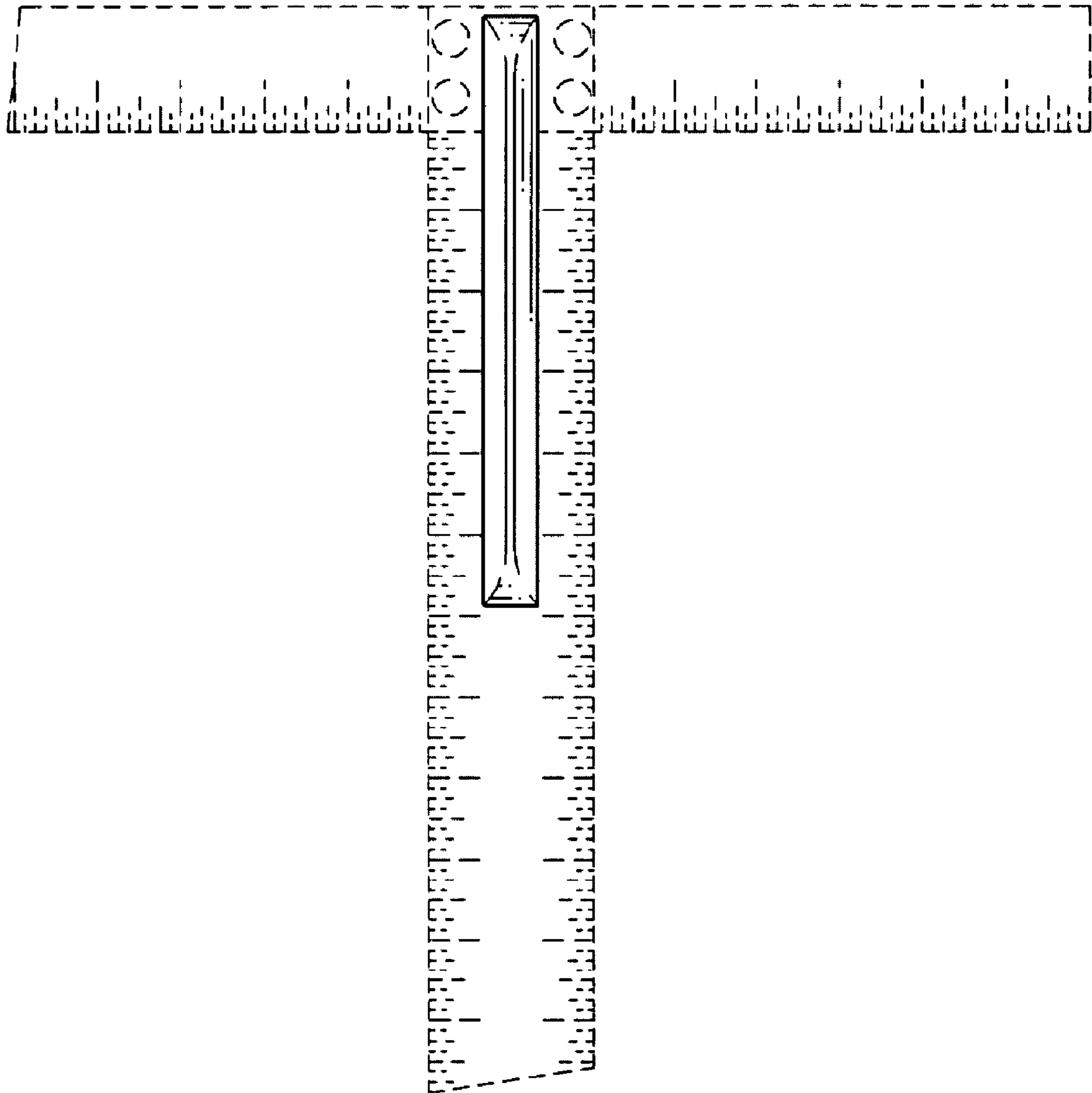


FIG.4

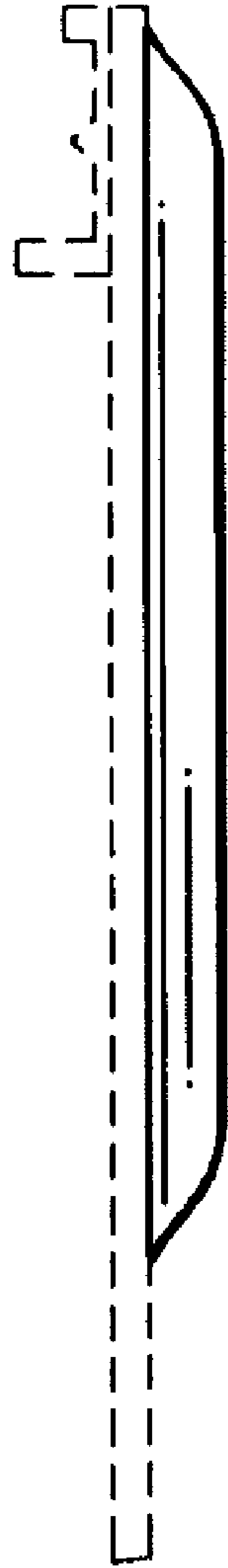


FIG.5

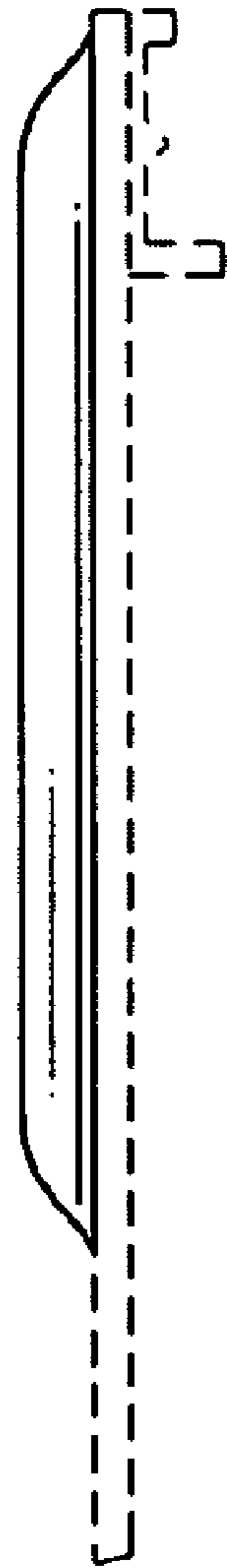


FIG.6

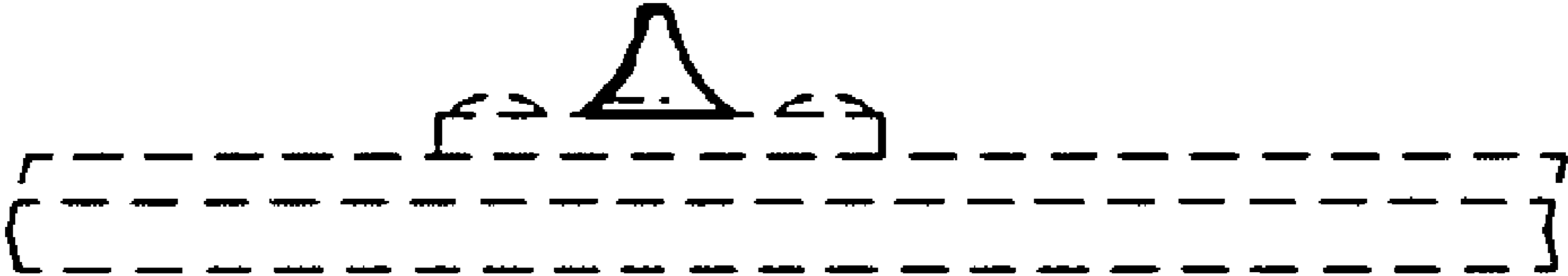


FIG.7

