



US00D599230S

(12) **United States Design Patent**
Richter

(10) **Patent No.:** **US D599,230 S**

(45) **Date of Patent:** **** Sep. 1, 2009**

(54) **GPS APPARATUS HOLDER**

D589,386 S * 3/2009 Gretton D10/74

(76) Inventor: **Harald Richter**, Höhenstrasse 32, 76331
Höhenbrand (DE)

* cited by examiner

Primary Examiner—Antoine D Davis

(74) *Attorney, Agent, or Firm*—Klaus J. Bach

(**) Term: **14 Years**

(21) Appl. No.: **29/313,345**

(57) **CLAIM**

(22) Filed: **Dec. 30, 2008**

The ornamental design for a GPS apparatus holder, as shown and described.

(51) **LOC (9) Cl.** **10-04**

(52) **U.S. Cl.** **D10/74**

(58) **Field of Classification Search** D8/349;
D10/74; D14/347; 73/178 R; 248/346.01,
248/671, 904; 340/995; 342/351, 419, 457,
342/357.06–357.13; 343/702; 345/87, 104,
345/133, 156, 168, 173, 901–905; 348/180,
348/184, 315, 739; 364/200, 434, 443, 444,
364/449, 451, 708.1, 709.1; 701/206–209,
701/213–214

See application file for complete search history.

DESCRIPTION

The GPS apparatus holder mounted on a support device is used particularly for supporting GPS apparatus of different sizes in a position convenient for the user such an apparatus.

FIG. 1 is a perspective front view of a GPS apparatus holder, FIG. 2 is a perspective top view of the GPS apparatus holder shown in FIG. 1,

FIG. 3 is a perspective left side view of the GPS apparatus holder shown in FIG. 2,

FIG. 4 is a perspective right side view of the GPS apparatus holder shown in FIG. 2,

FIG. 5 is a perspective bottom view of the GPS apparatus holder shown in FIG. 1; and,

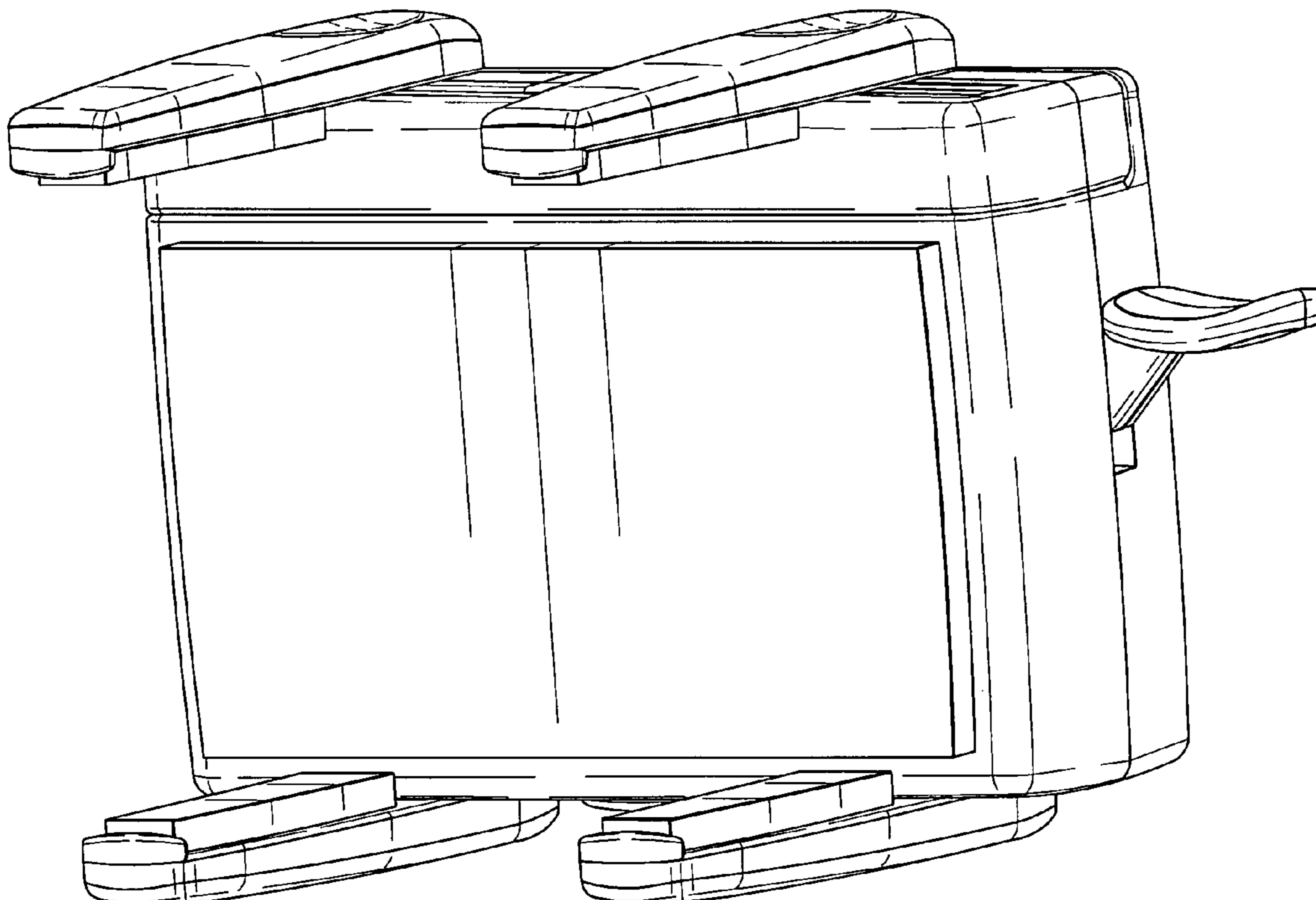
FIG. 6 is rear view of the GPS apparatus holder shown in FIG. 1.

(56) **References Cited**

U.S. PATENT DOCUMENTS

- D560,523 S * 1/2008 Nakamura D10/74
- D560,525 S * 1/2008 Skelton et al. D10/74
- D560,526 S * 1/2008 Skelton et al. D10/74
- D565,980 S * 4/2008 Reeson et al. D10/74

1 Claim, 6 Drawing Sheets



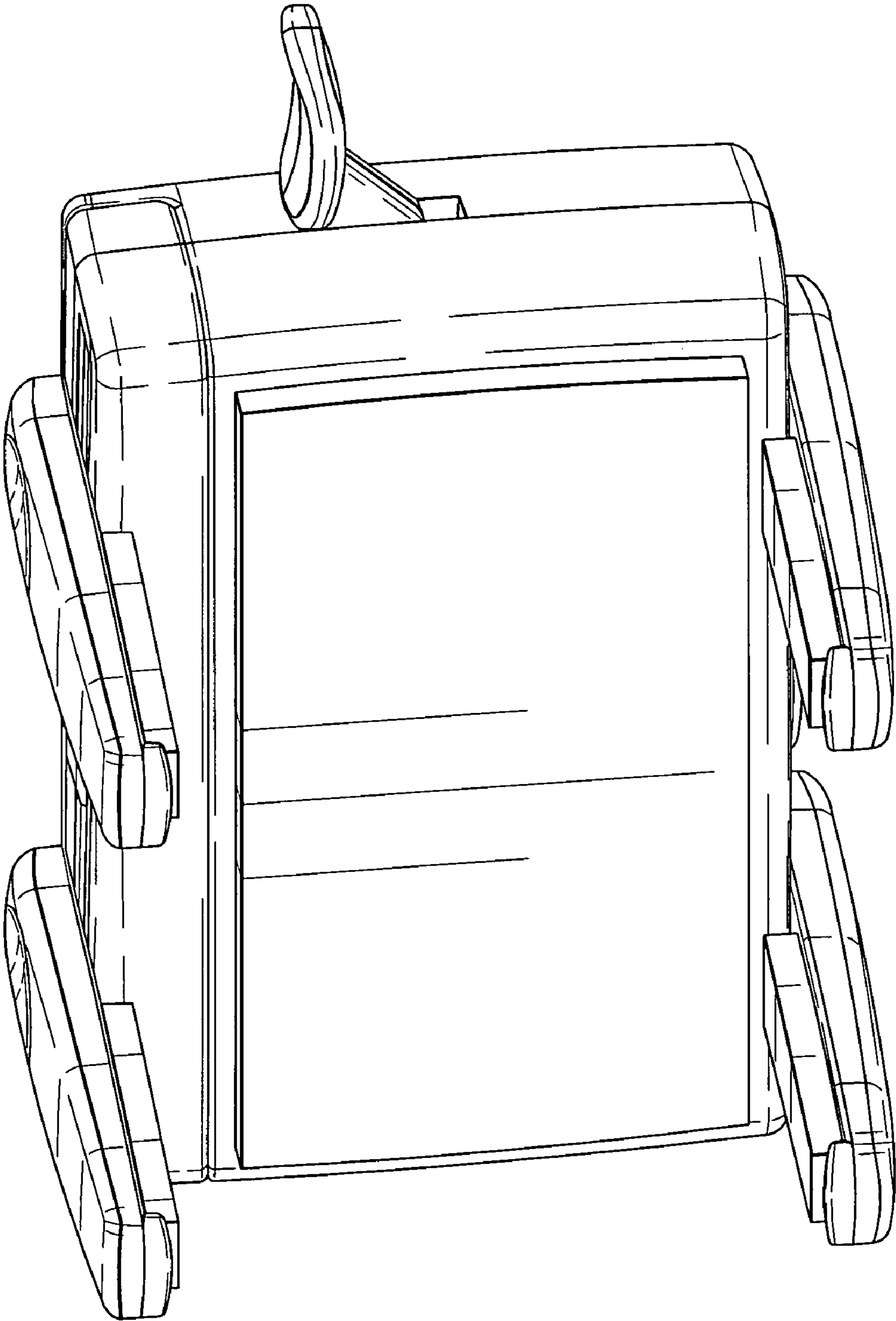


FIG. 1

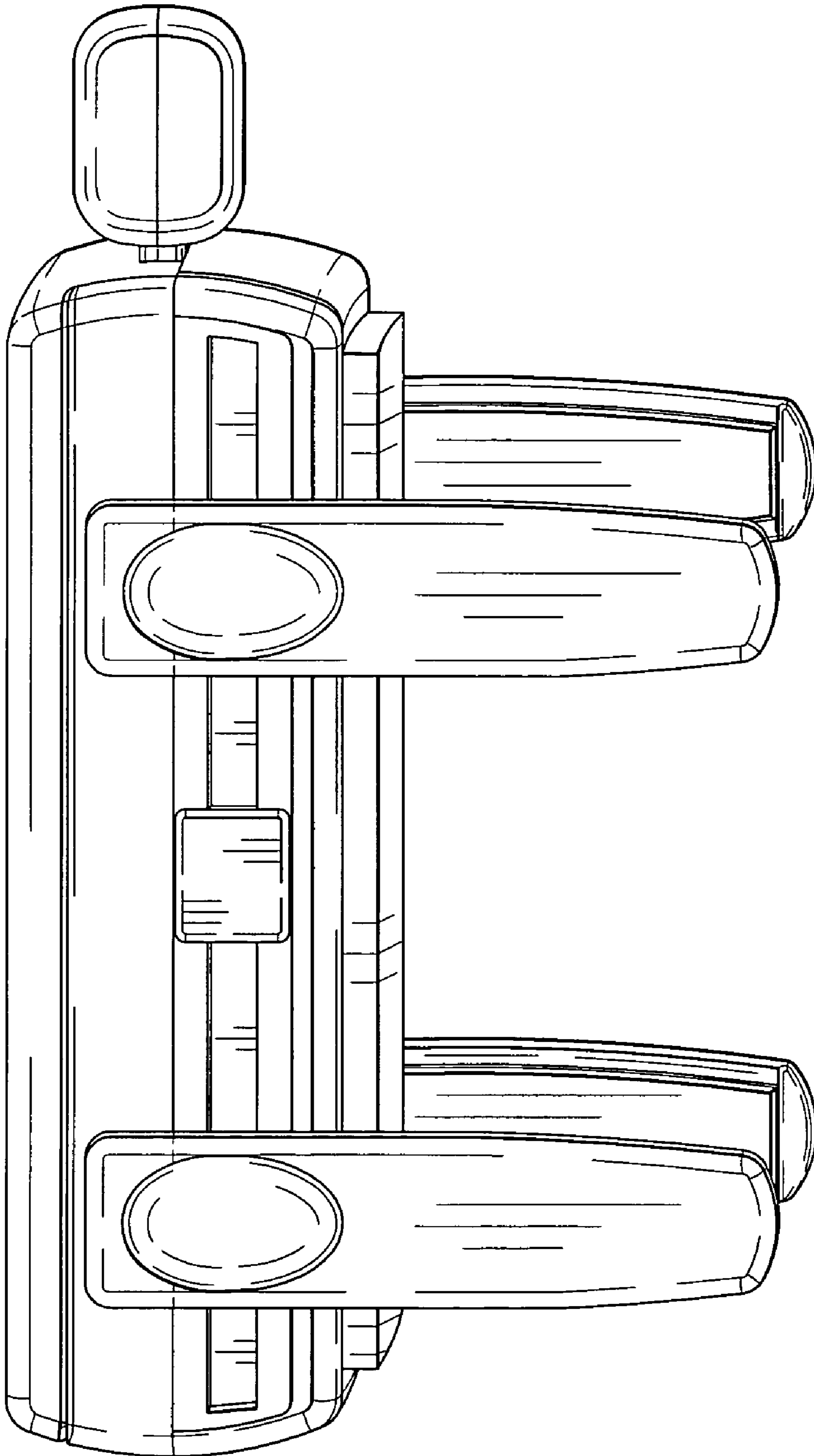


FIG. 2

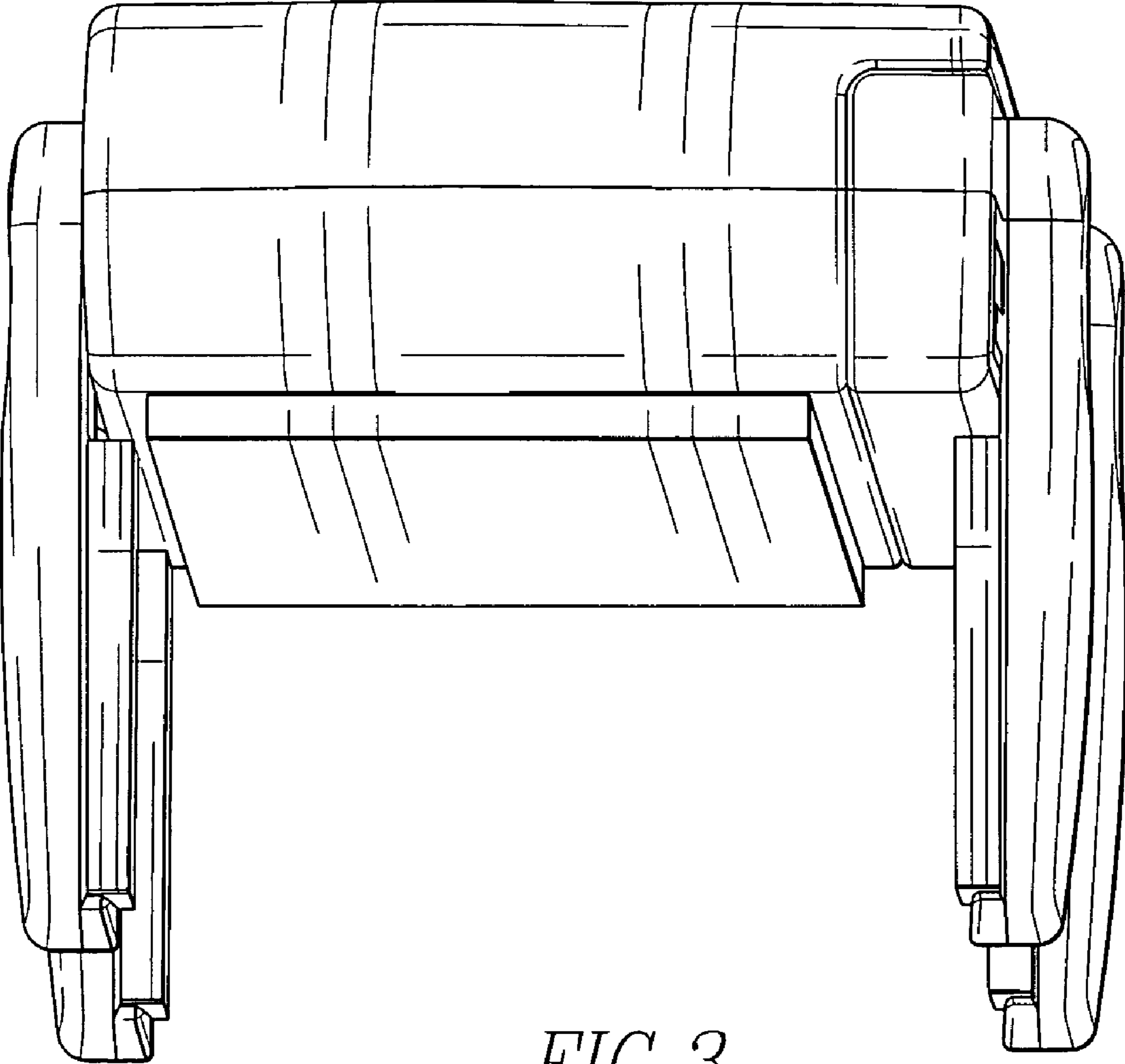


FIG. 3

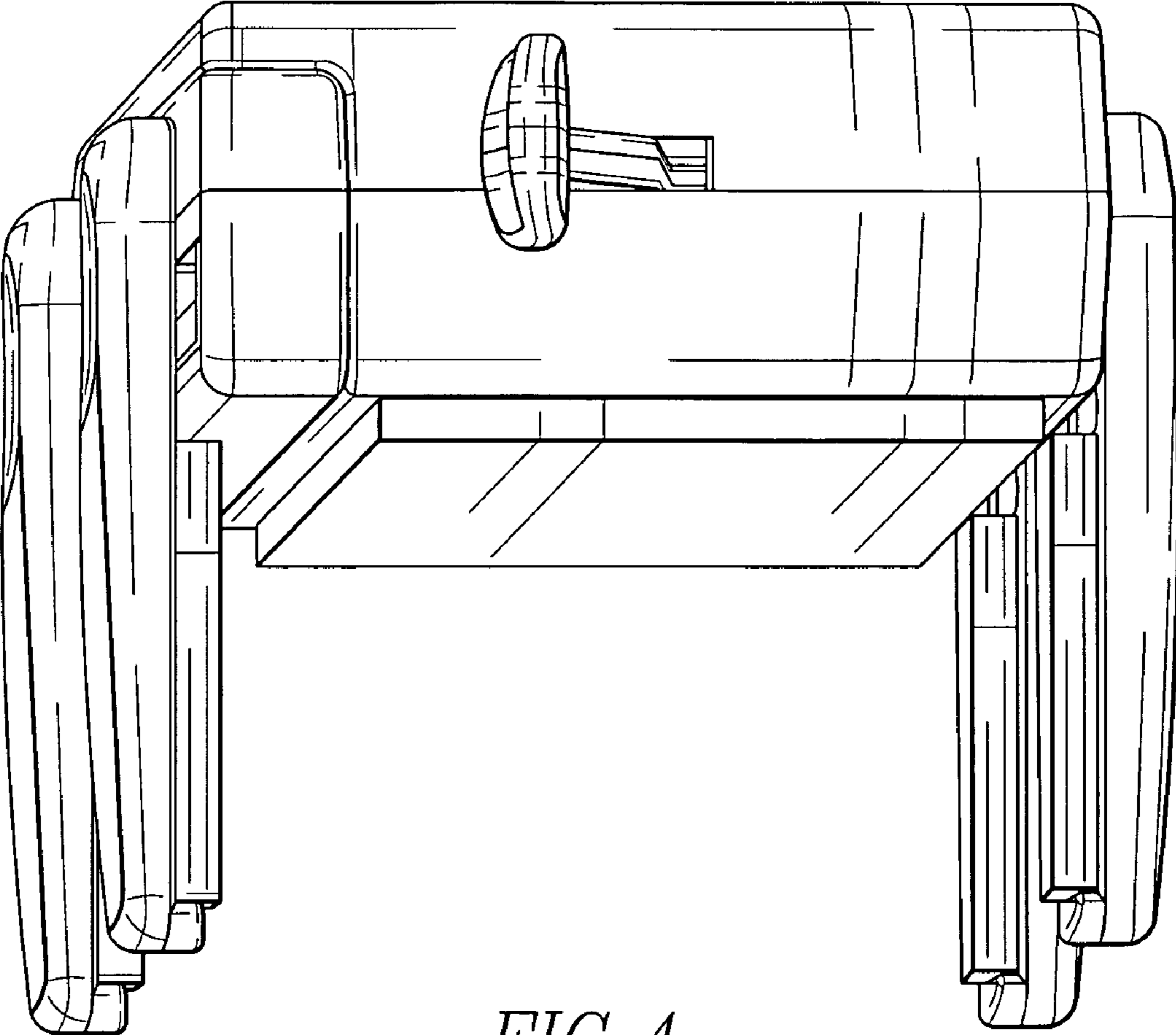


FIG. 4

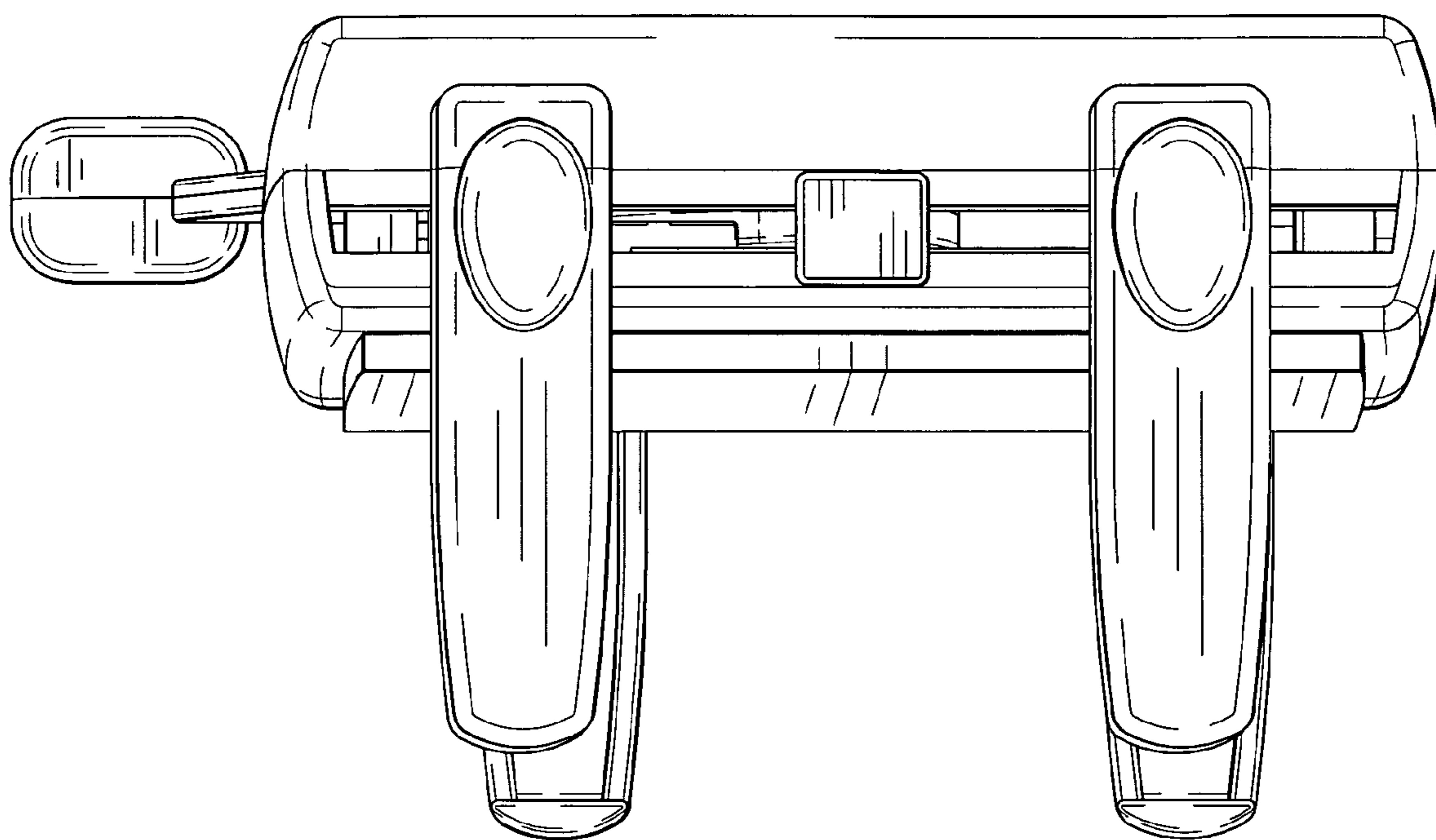


FIG. 5

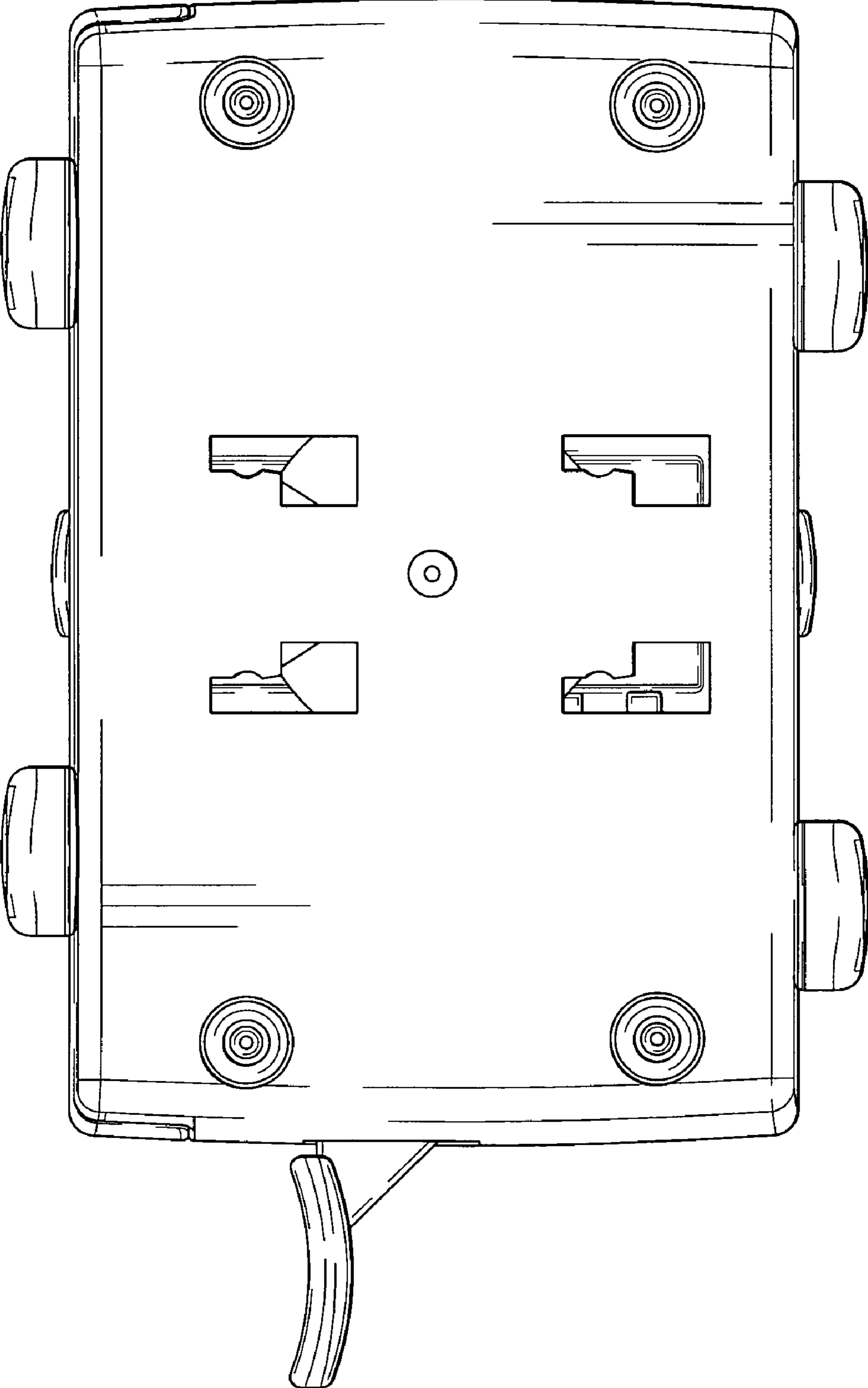


FIG. 6