

US00D599229S

(12) **United States Design Patent**  
**Sun**

(10) **Patent No.:** **US D599,229 S**

(45) **Date of Patent:** **\*\* Sep. 1, 2009**

(54) **ELECTRONIC TAPE MEASURE**

D510,532 S \* 10/2005 Lin ..... D10/72  
7,475,842 B2 \* 1/2009 Campbell ..... 33/767

(75) Inventor: **Fu-Cheng Sun**, Sindian (TW)

\* cited by examiner

(73) Assignee: **Taiwan San Tyau Co., Ltd.**, Sindian,  
Taipei County (TW)

*Primary Examiner*—Antoine D Davis  
(74) *Attorney, Agent, or Firm*—Roger H. Chu

(\*\*) Term: **14 Years**

(57) **CLAIM**

(21) Appl. No.: **29/327,075**

The ornamental design for an electronic tape measure, as shown and described.

(22) Filed: **Oct. 30, 2008**

(51) **LOC (9) Cl.** ..... **10-04**

**DESCRIPTION**

(52) **U.S. Cl.** ..... **D10/72**

(58) **Field of Classification Search** ..... D10/62,  
D10/72, 74; 33/755-770, DIG. 1  
See application file for complete search history.

FIG. 1 is a perspective view of an electronic tape measure showing my new design;

FIG. 2 is a left side elevation view thereof;

FIG. 3 is a right side elevation view thereof;

FIG. 4 is a front elevation view thereof;

FIG. 5 is a rear elevation view thereof;

FIG. 6 is a top plan view thereof; and,

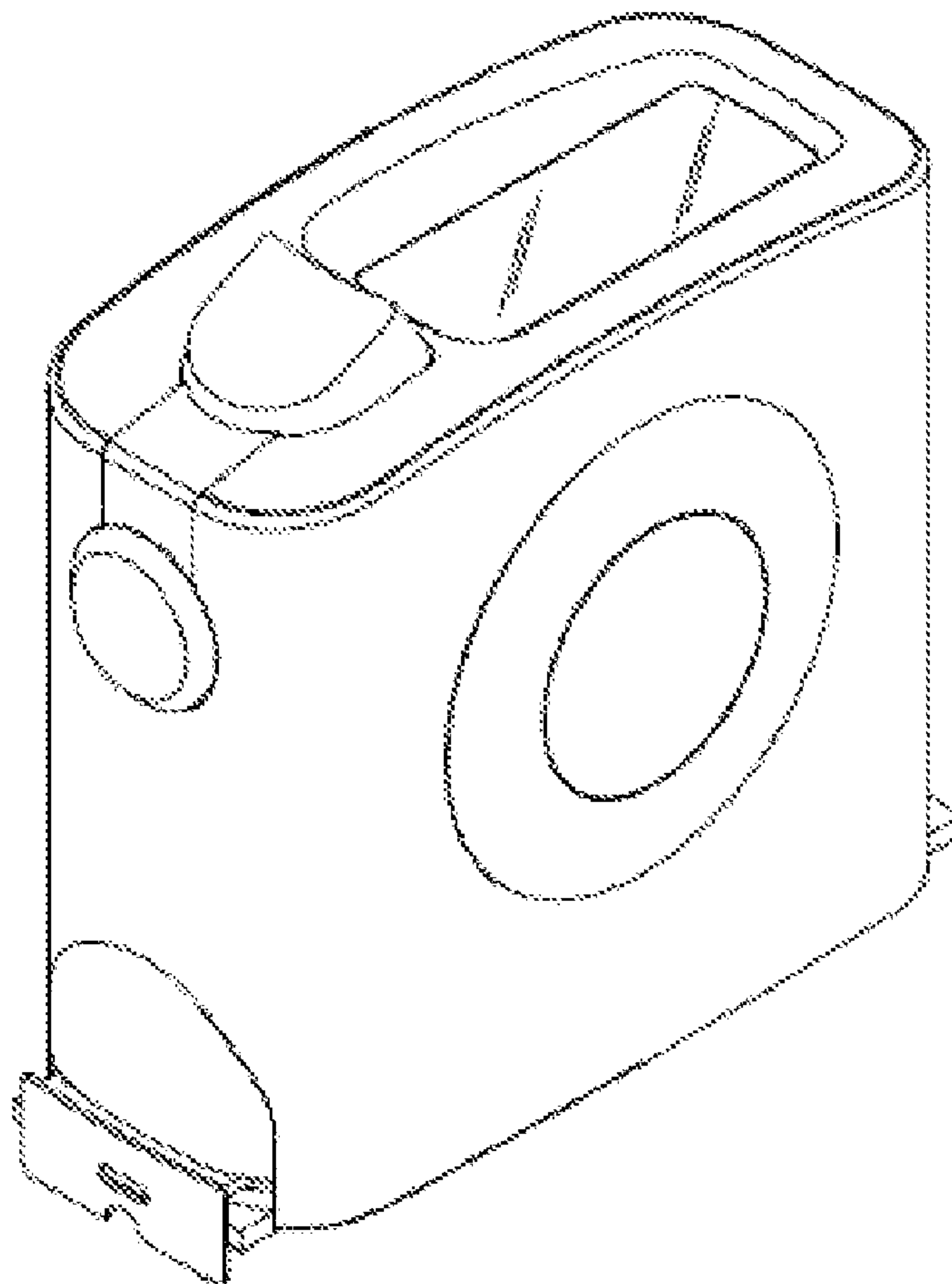
FIG. 7 is a bottom plan view thereof.

(56) **References Cited**

U.S. PATENT DOCUMENTS

- D312,419 S \* 11/1990 Kang ..... D10/72
- D312,976 S \* 12/1990 Holterscheidt ..... D10/72
- D372,876 S \* 8/1996 Hollinger ..... D10/72
- D414,437 S \* 9/1999 Goessling, Jr. .... D10/72
- D504,835 S \* 5/2005 Snider ..... D10/72

**1 Claim, 6 Drawing Sheets**



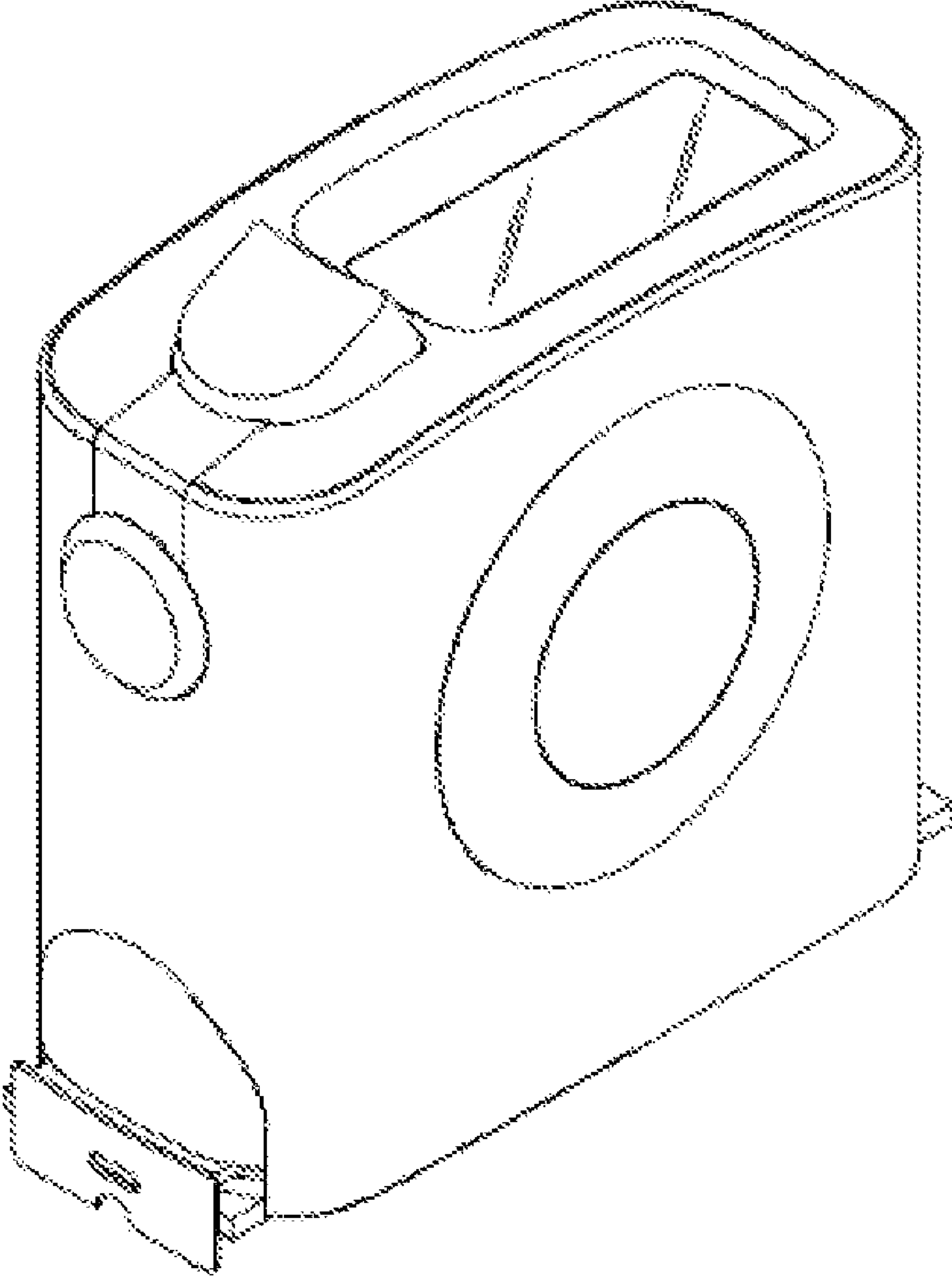


FIG. 1

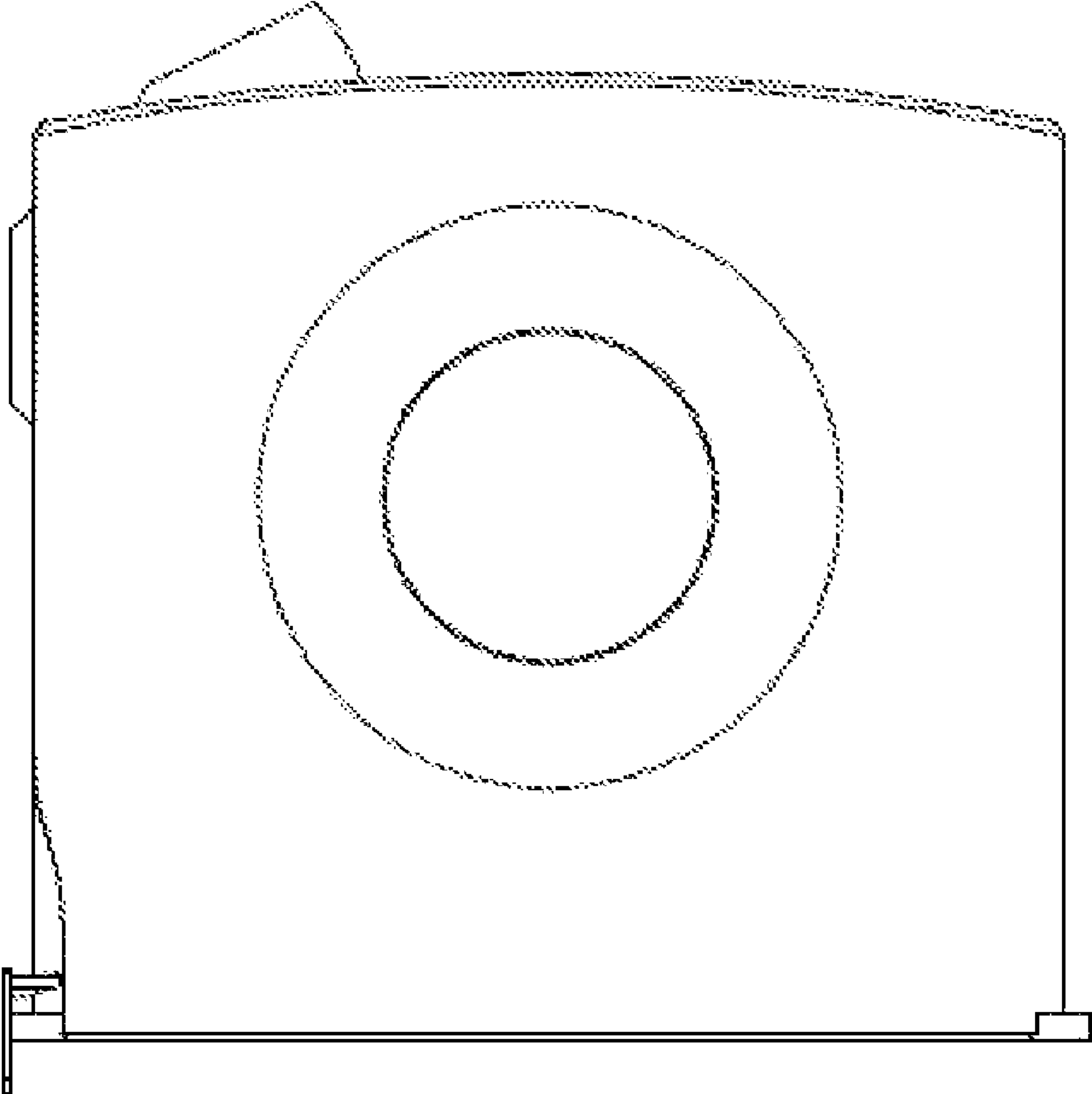


FIG. 2

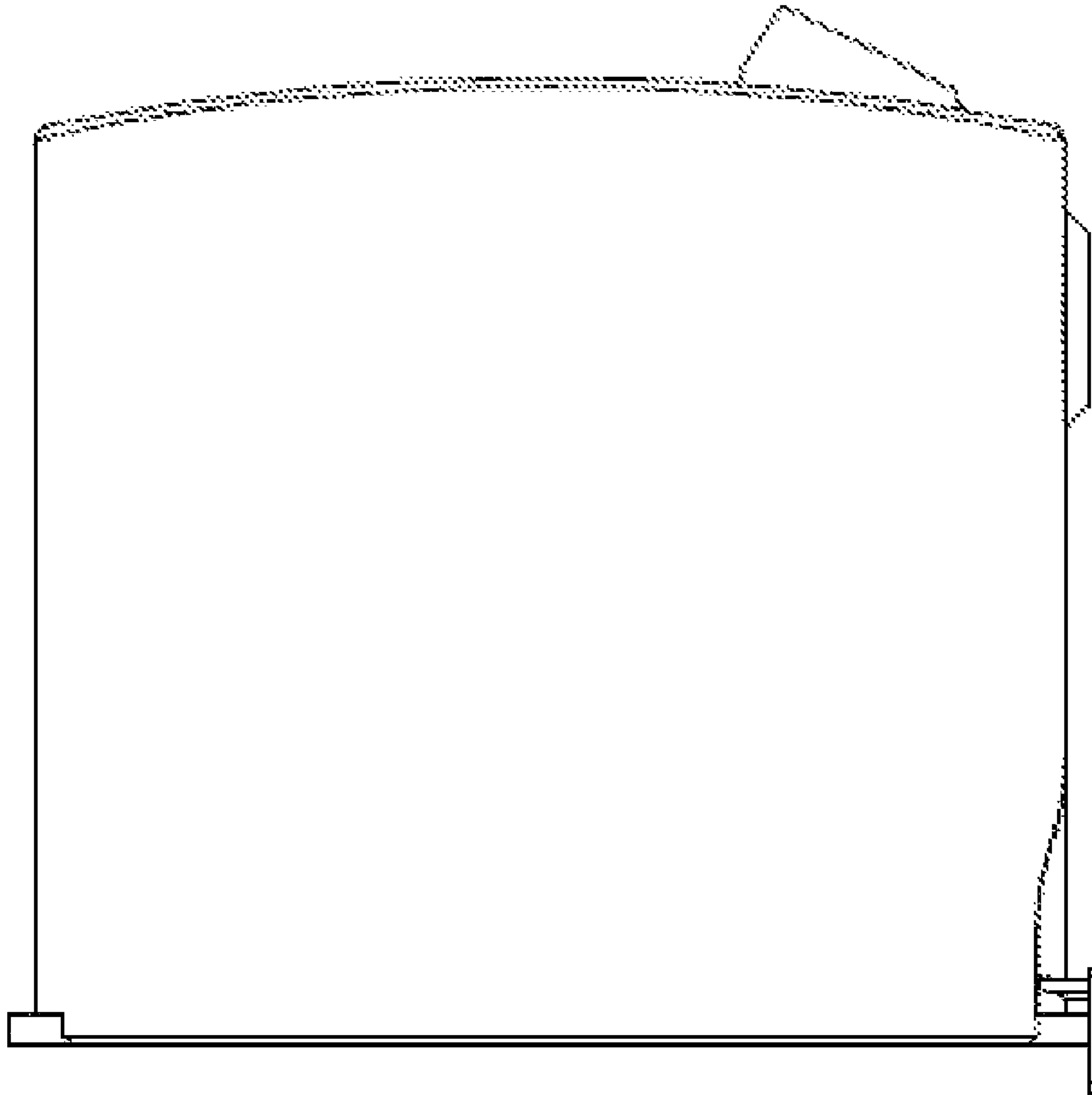


FIG. 3

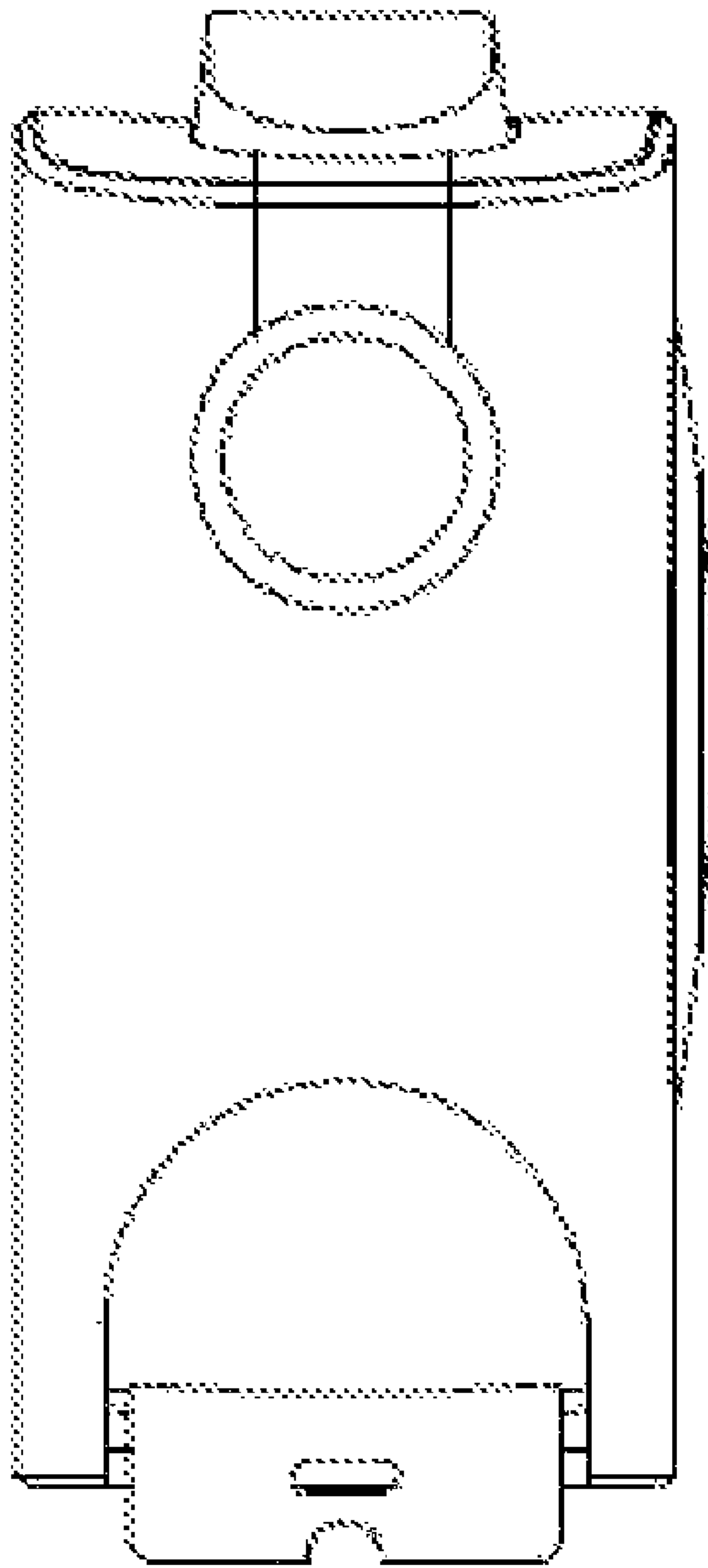


FIG. 4

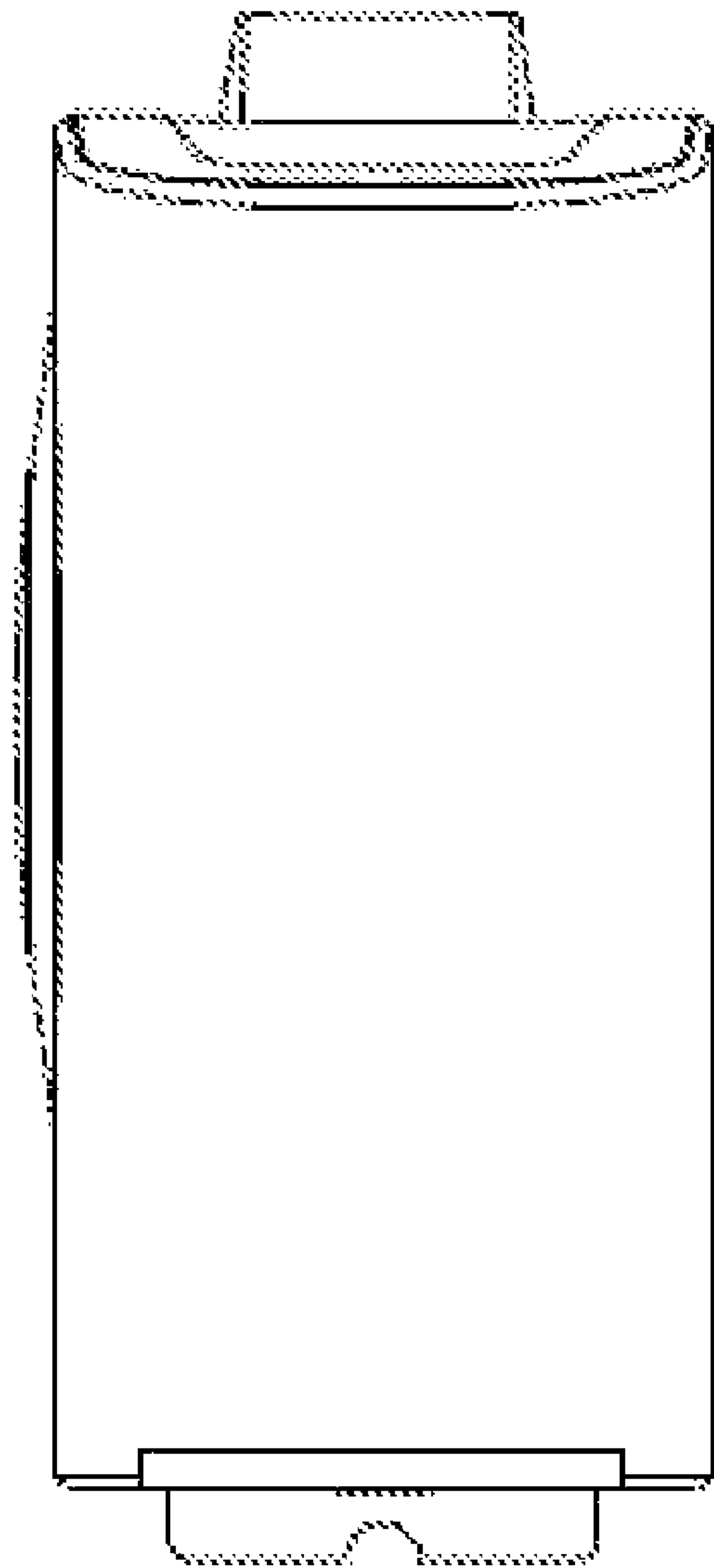


FIG. 5

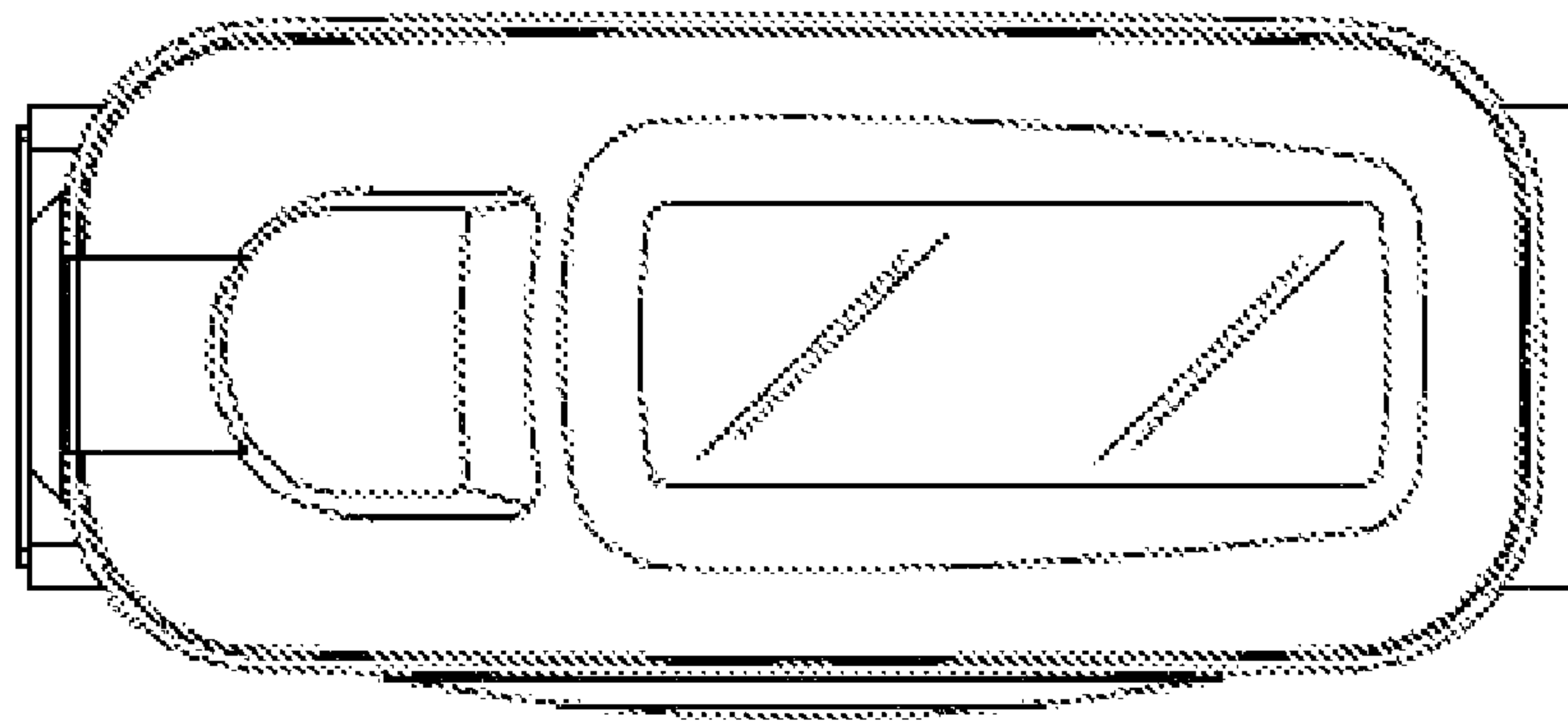


FIG. 6



FIG. 7