



US00D599227S

(12) **United States Design Patent**
Scott

(10) **Patent No.:** **US D599,227 S**
(45) **Date of Patent:** **** Sep. 1, 2009**

(54) **PROXIMITY MEASURING DEVICE FOR GOLF**

2005/0011082 A1 1/2005 Smith

(76) Inventor: **Kipp E. Scott**, 591 James Dr., Noblesville, IN (US) 46060

* cited by examiner

Primary Examiner—Antoine D Davis
(74) *Attorney, Agent, or Firm*—Crossley Patent Law; Mark A. Crossley

(**) Term: **14 Years**

(21) Appl. No.: **29/324,976**

(57) **CLAIM**

(22) Filed: **Sep. 24, 2008**

The ornamental design for a proximity measuring device for golf, as shown and described.

(51) **LOC (9) Cl.** **10-04**

(52) **U.S. Cl.** **D10/70**

(58) **Field of Classification Search** D10/70,
D10/71; 33/613, 1 LE, 508, 137, 138, 413,
33/414, 758, 759, 770; 273/DIG. 21, 84.8
See application file for complete search history.

DESCRIPTION

FIG. 1 is a front elevation view of a proximity measuring device for golf showing my new design with the housing and support cup shown separately for clarity;

FIG. 2 is a rear elevation view thereof;

FIG. 3 is a right elevation view thereof, the opposite side being a mirror image of the shown;

FIG. 4 is a top plan view thereof; and,

FIG. 5 is a bottom plan view thereof.

The broken lines shown in FIG. 1 are for illustrative purposes only and form no part of the claimed design.

(56) **References Cited**

U.S. PATENT DOCUMENTS

- 3,834,030 A * 9/1974 Hanson 33/770
- 4,532,712 A 8/1985 Vistain
- D305,306 S 1/1990 Casiello
- D340,196 S 10/1993 Tong
- D569,746 S * 5/2008 Scott D10/70

1 Claim, 4 Drawing Sheets

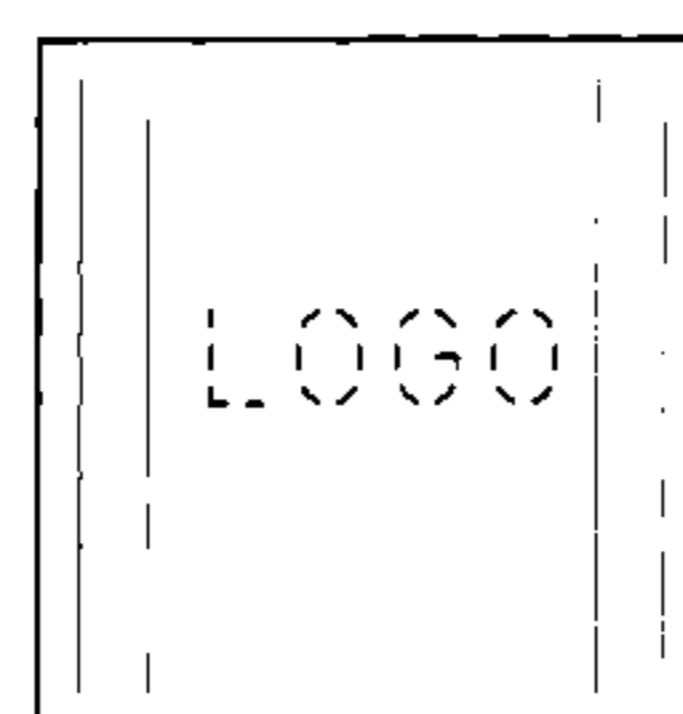
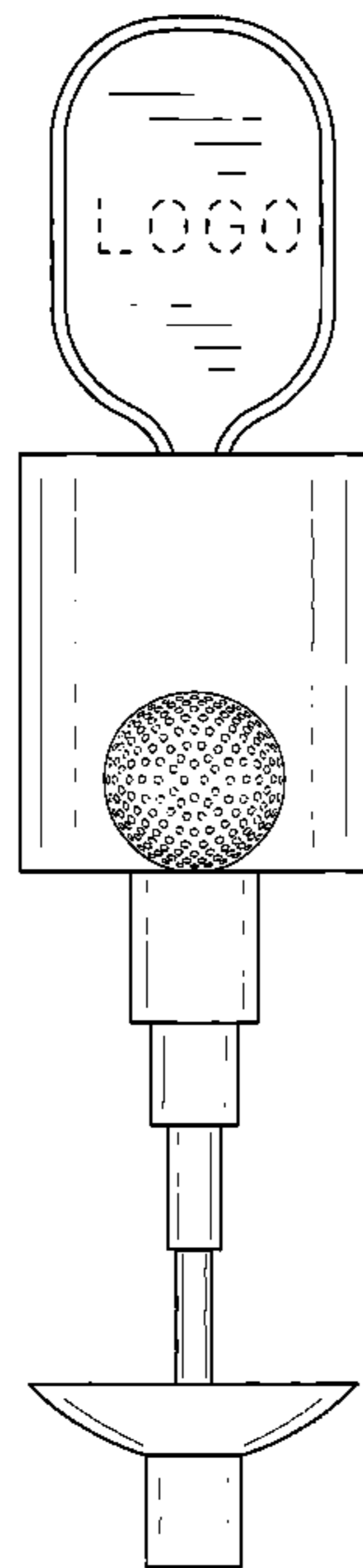


FIG. 1

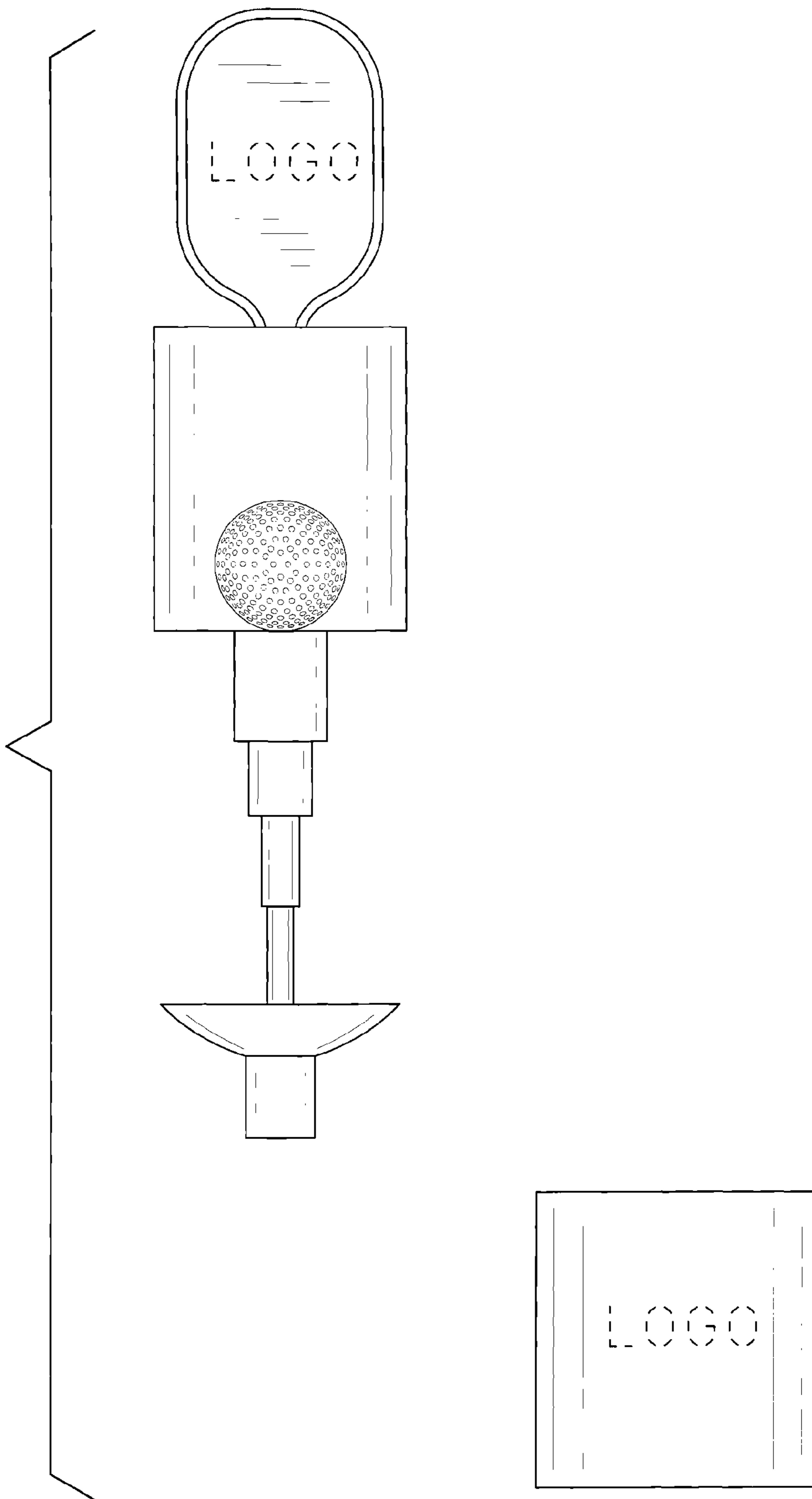


FIG. 2

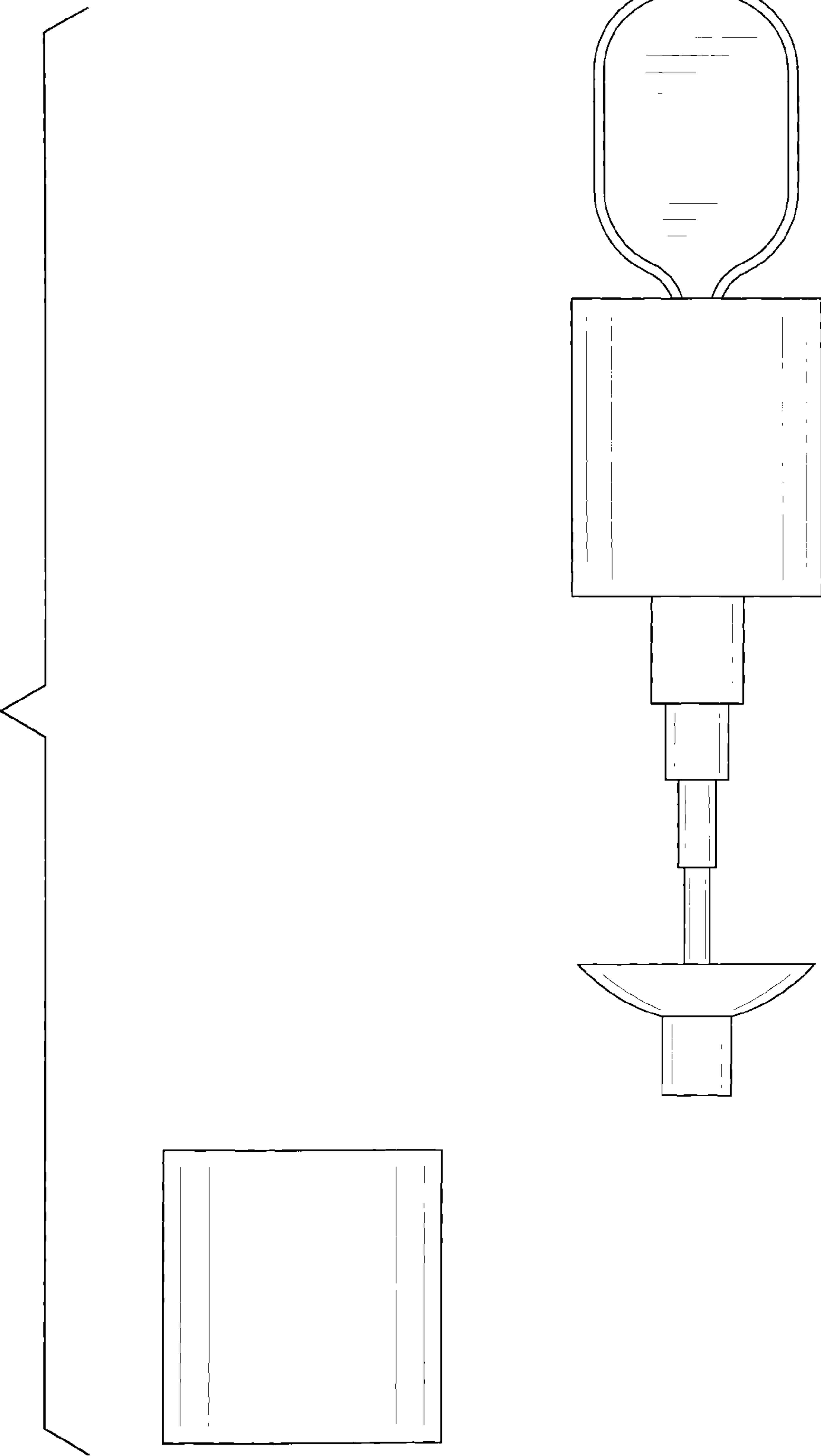
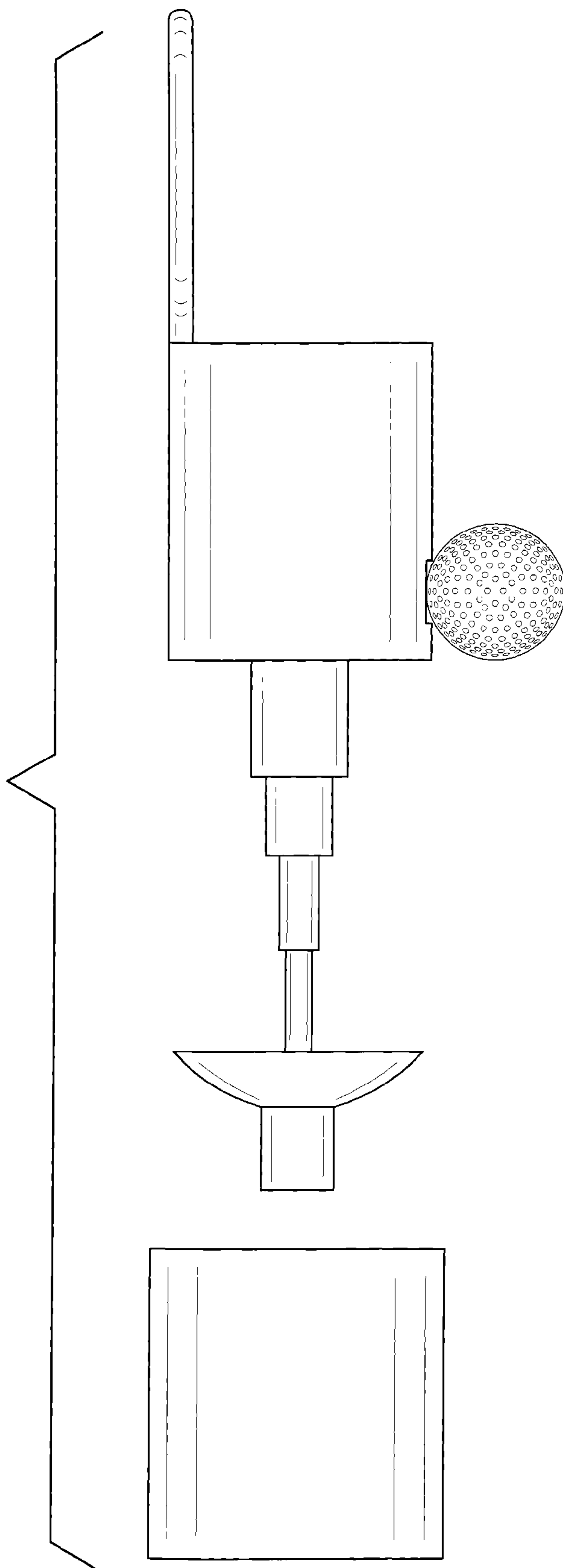


FIG. 3



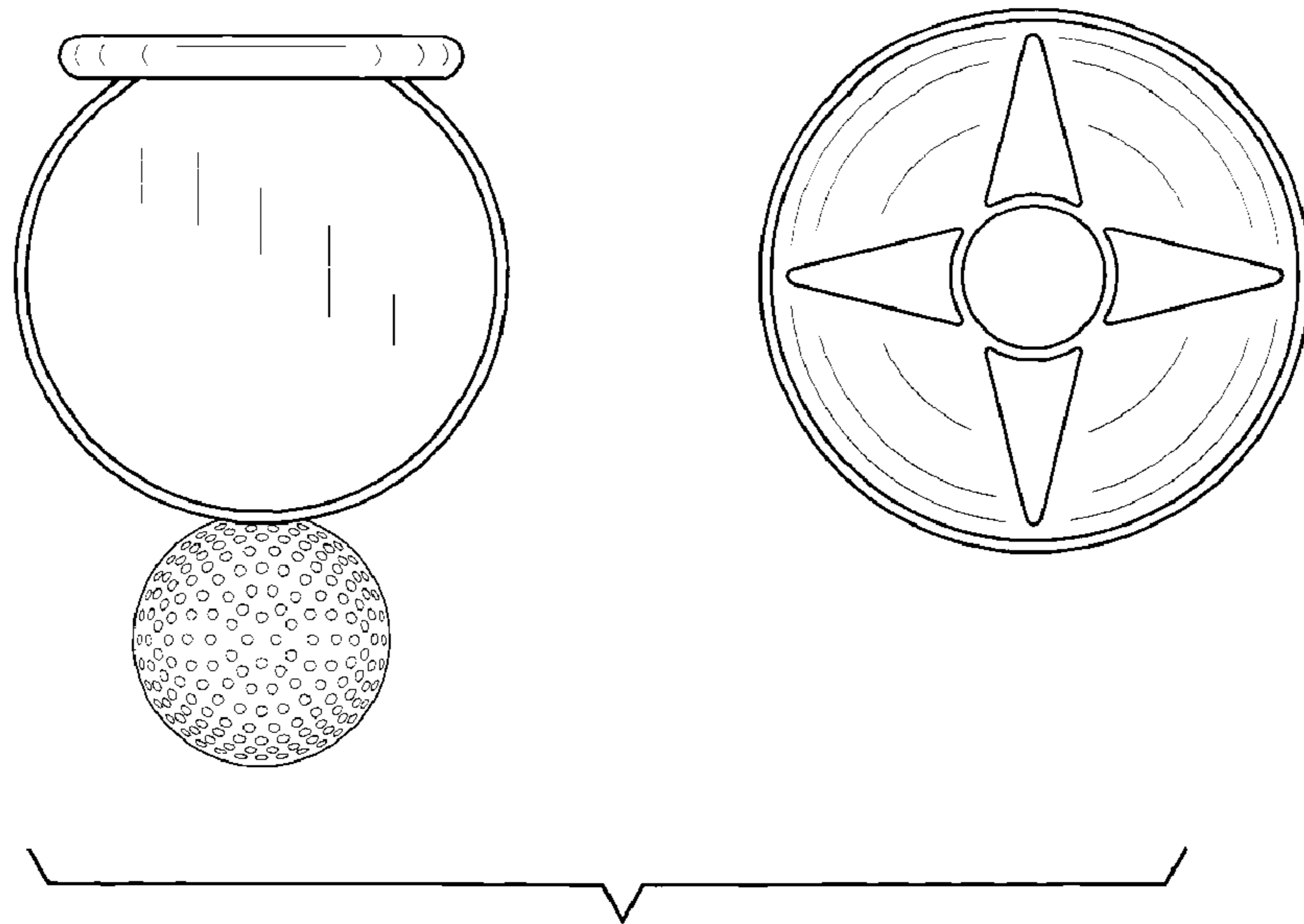


FIG. 4

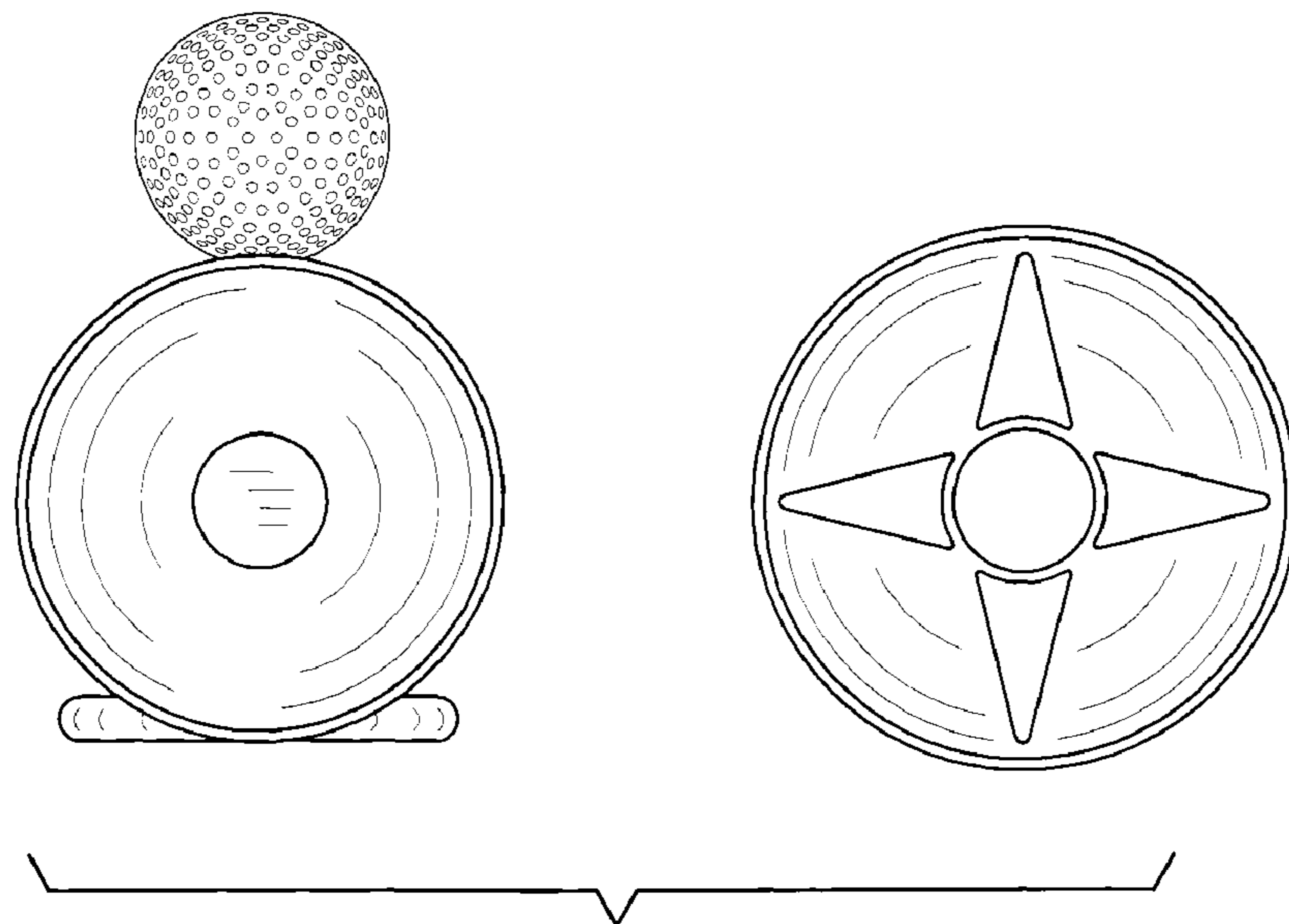


FIG. 5