



US00D599226S

(12) **United States Design Patent**  
**Gerent et al.**

(10) **Patent No.:** **US D599,226 S**  
(45) **Date of Patent:** **\*\* Sep. 1, 2009**

(54) **PORTABLE COORDINATE MEASUREMENT MACHINE**

EP 0522610 A1 1/1993

(Continued)

(75) Inventors: **Jerry Gerent**, Vista, CA (US); **Dongmei Hong**, San Diego, CA (US); **Thibault Duportal**, Prunay, Cassereau (FR); **Romain Granger**, Montoire (FR)

*Primary Examiner*—Antoine D Davis  
(74) *Attorney, Agent, or Firm*—Knobbe, Martens, Olson & Bear LLP

(73) Assignee: **Hexagon Metrology, Inc.**, Norcross, GA (US)

(57) **CLAIM**

The ornamental design for a portable coordinate measurement machine, as shown and described.

(\*\*) Term: **14 Years**

(21) Appl. No.: **29/306,621**

**DESCRIPTION**

(22) Filed: **Apr. 11, 2008**

(51) **LOC (9) Cl.** ..... **10-04**

FIG. 1 is a perspective view of a portable coordinate measurement machine showing our new design in accordance with a third embodiment of the invention;

(52) **U.S. Cl.** ..... **D10/63; D15/199**

FIG. 2 is a side view of the portable coordinate measurement machine as shown in FIG. 1;

(58) **Field of Classification Search** ..... D10/46,  
D10/63; D15/199; 33/503–505, 558; 74/491.01–490.15;  
319/560; 700/245, 262, 195, 80; 702/150–156,  
702/94, 95, 167–169

FIG. 3 is a front view of the portable coordinate measurement machine as shown in FIG. 1;

See application file for complete search history.

FIG. 4 is a rear view of the portable coordinate measurement machine as shown in FIG. 1;

(56) **References Cited**

FIG. 5 is a top view of the portable coordinate measurement machine as shown in FIG. 1; and,

**U.S. PATENT DOCUMENTS**

FIG. 6 is a bottom view of the portable coordinate measurement machine as shown in FIG. 1.

5,084,981 A 2/1992 McMurtry et al.  
5,088,337 A 2/1992 Bennett  
5,148,377 A 9/1992 McDonald

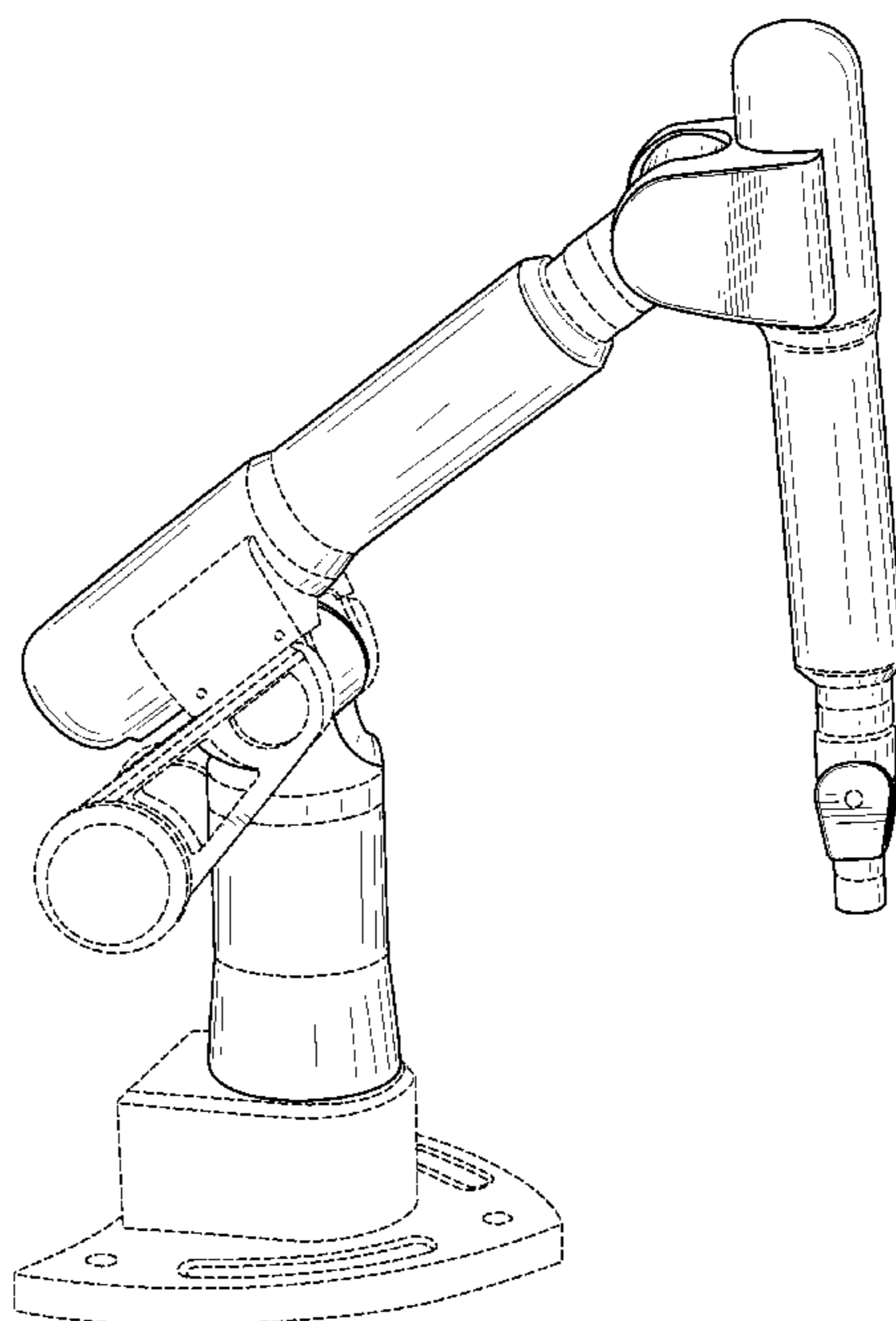
A single side view is provided for the embodiment of the portable coordinate measurement machine as the opposite side is symmetric. Phantom lining, where utilized, is for illustrative purposes only and does not limit or form any part of the claimed design.

(Continued)

**FOREIGN PATENT DOCUMENTS**

DE 4345091 A1 7/1995  
DE 101 12 977 11/2002

**1 Claim, 6 Drawing Sheets**



# US D599,226 S

## U.S. PATENT DOCUMENTS

5,187,874 A 2/1993 Takahashi et al.  
 5,189,797 A 3/1993 Granger  
 5,396,712 A 3/1995 Herzog  
 5,408,754 A 4/1995 Raab  
 5,412,880 A 5/1995 Raab  
 5,505,003 A 4/1996 Evans et al.  
 5,510,977 A 4/1996 Raab  
 5,521,847 A 5/1996 Ostrowski et al.  
 5,526,576 A 6/1996 Fuchs et al.  
 5,528,505 A 6/1996 Granger et al.  
 D377,932 S \* 2/1997 Schena et al. .... D14/411  
 5,611,147 A 3/1997 Raab  
 5,615,489 A 4/1997 Breyer et al.  
 5,757,499 A 5/1998 Eaton  
 5,768,792 A 6/1998 Raab  
 5,794,356 A 8/1998 Raab  
 5,822,450 A 10/1998 Arakawa et al.  
 5,829,148 A 11/1998 Eaton  
 5,978,748 A 11/1999 Raab  
 5,991,704 A 11/1999 Rekar et al.  
 6,134,506 A 10/2000 Rosenberg et al.  
 6,161,079 A 12/2000 Zink et al.  
 6,219,928 B1 4/2001 Raab et al.  
 6,366,831 B1 4/2002 Raab  
 6,487,896 B1 12/2002 Dall'Aglio  
 6,526,670 B1 3/2003 Carli  
 D472,824 S \* 4/2003 Raab et al. .... D10/63  
 6,598,306 B2 7/2003 Eaton  
 6,611,346 B2 8/2003 Granger  
 6,611,617 B1 8/2003 Crampton  
 D479,544 S \* 9/2003 Raab et al. .... D15/199  
 6,618,496 B1 9/2003 Tassakos et al.  
 6,668,466 B1 12/2003 Bieg et al.  
 D490,831 S \* 6/2004 Raab et al. .... D15/199  
 D491,589 S \* 6/2004 Raab et al. .... D15/199  
 D491,965 S \* 6/2004 Raab et al. .... D15/199  
 D496,595 S \* 9/2004 Raab et al. .... D10/63  
 D497,815 S \* 11/2004 Raab et al. .... D10/63  
 6,817,108 B2 11/2004 Eaton  
 D502,881 S \* 3/2005 Raab et al. .... D10/63

D502,882 S \* 3/2005 Raab et al. .... D10/63  
 D503,116 S \* 3/2005 Raab et al. .... D10/63  
 D503,117 S \* 3/2005 Raab et al. .... D10/63  
 D503,348 S \* 3/2005 Raab et al. .... D10/63  
 6,892,465 B2 5/2005 Raab et al.  
 6,904,691 B2 6/2005 Raab et al.  
 D507,978 S \* 8/2005 Raab et al. .... D10/63  
 6,925,722 B2 8/2005 Raab et al.  
 6,931,745 B2 8/2005 Granger  
 6,952,882 B2 10/2005 Raab et al.  
 6,984,236 B2 1/2006 Raab  
 6,988,322 B2 1/2006 Raab et al.  
 7,003,892 B2 2/2006 Eaton et al.  
 7,017,275 B2 3/2006 Raab et al.  
 7,043,847 B2 5/2006 Raab et al.  
 7,051,450 B2 5/2006 Raab et al.  
 7,073,271 B2 7/2006 Raab et al.  
 7,152,456 B2 12/2006 Eaton  
 7,174,651 B2 2/2007 Raab et al.  
 7,246,030 B2 7/2007 Raab et al.  
 7,269,910 B2 9/2007 Raab et al.  
 7,296,364 B2 11/2007 Seitz et al.  
 7,296,979 B2 11/2007 Raab et al.  
 7,372,581 B2 5/2008 Raab et al.  
 7,395,606 B2 7/2008 Crampton  
 2004/0185706 A1 9/2004 Price et al.  
 2007/0063500 A1 3/2007 Eaton  
 2008/0016711 A1 1/2008 Baebler  
 2009/0025243 A1 1/2009 Prestidge et al.

## FOREIGN PATENT DOCUMENTS

FR	2740546	4/1997
GB	2274526 A	7/1994
JP	04057690	2/1992
JP	05-031685	2/1993
JP	2003-021133	1/2003
JP	2003025176	1/2003
JP	2003175484	6/2003
JP	2006-214559	8/2006
WO	WO 98/08050	2/1998

\* cited by examiner

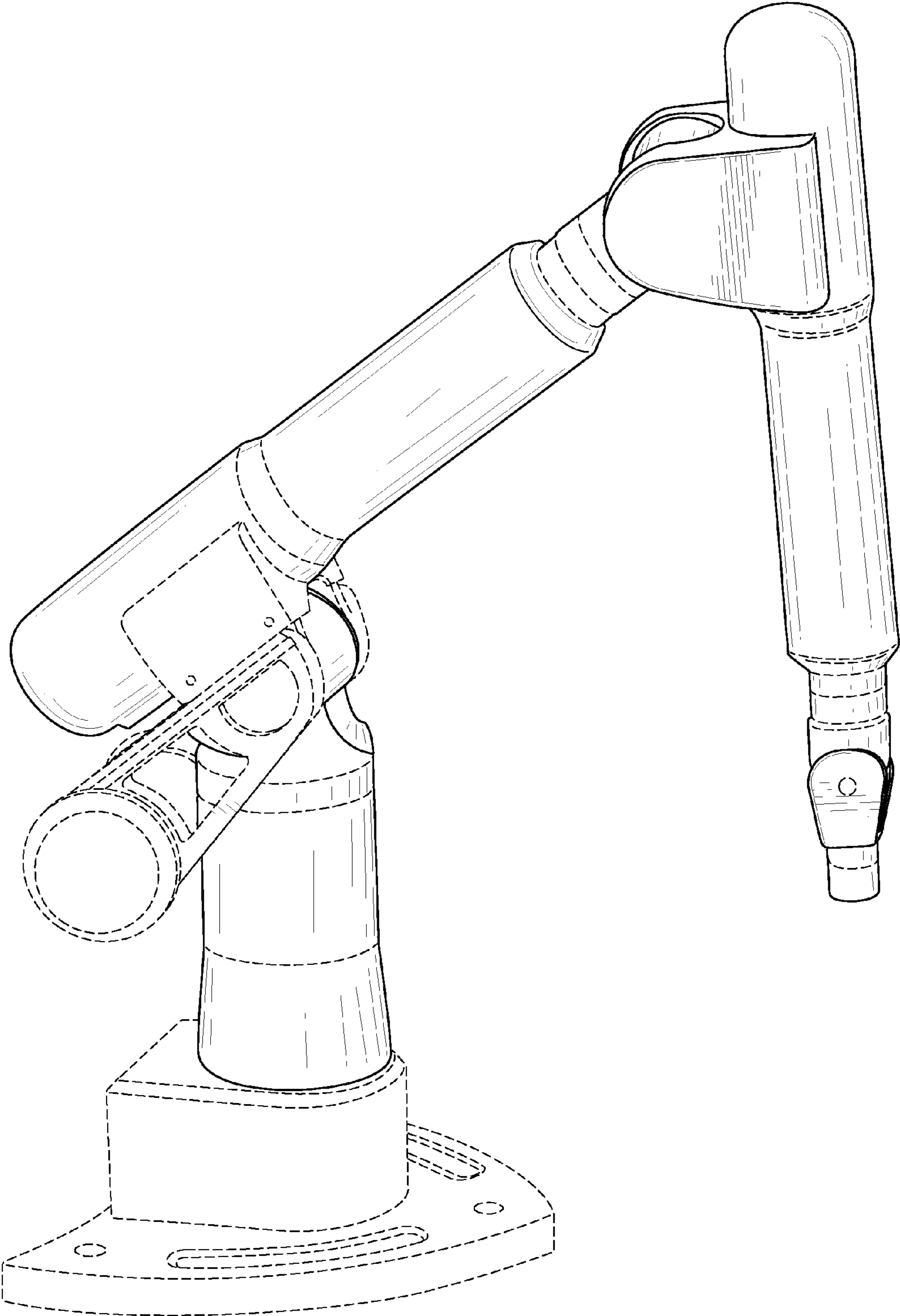


FIG. 1

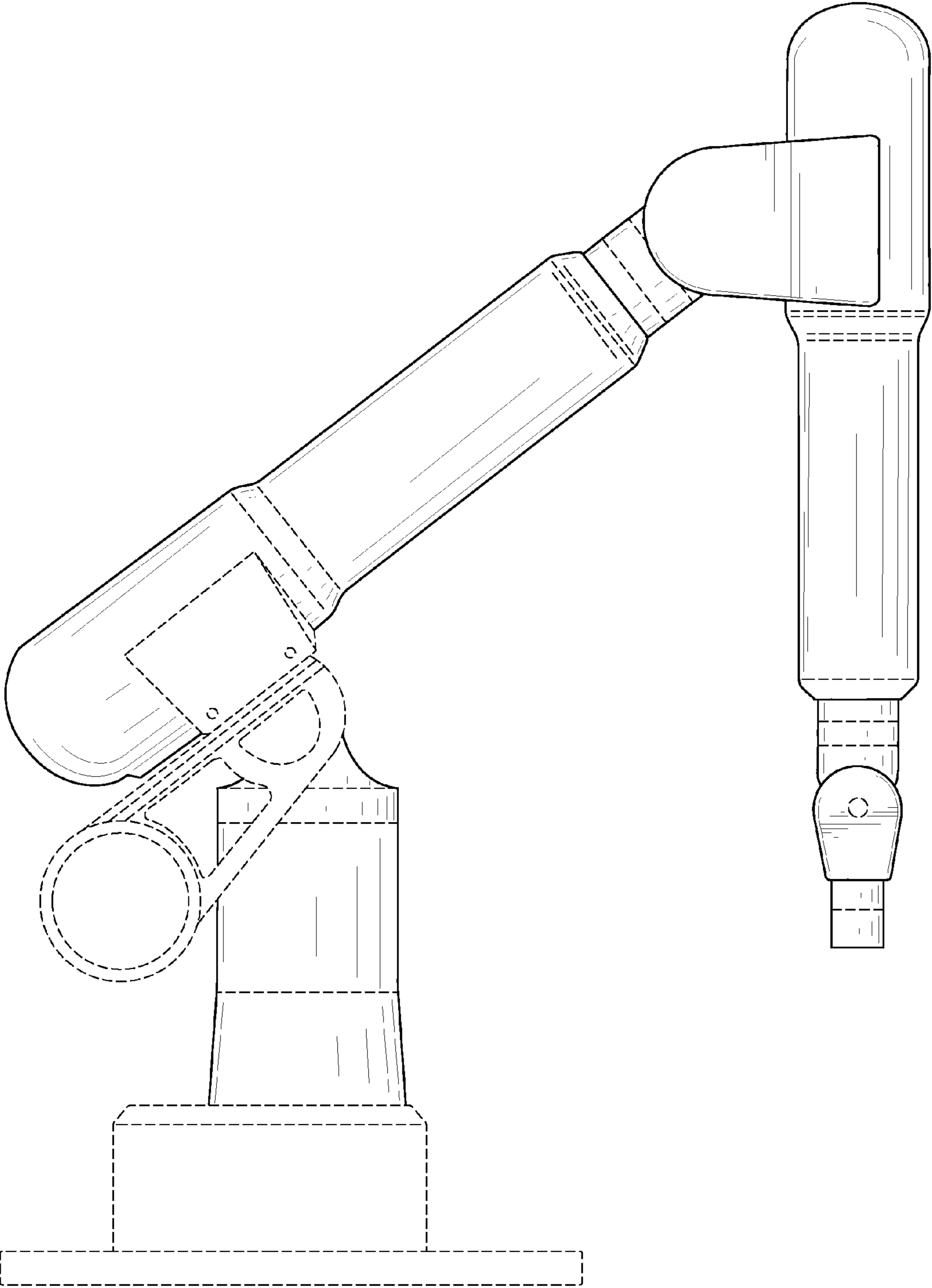


FIG. 2

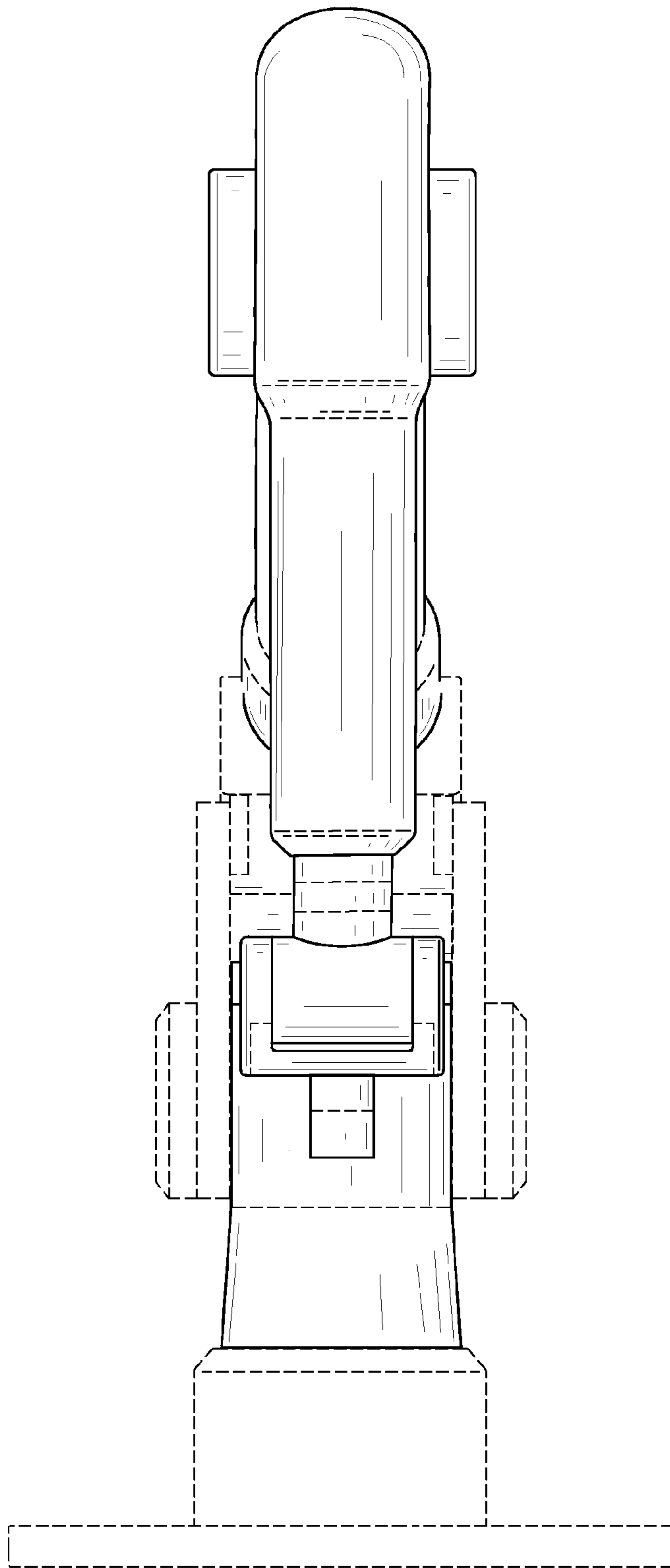


FIG. 3



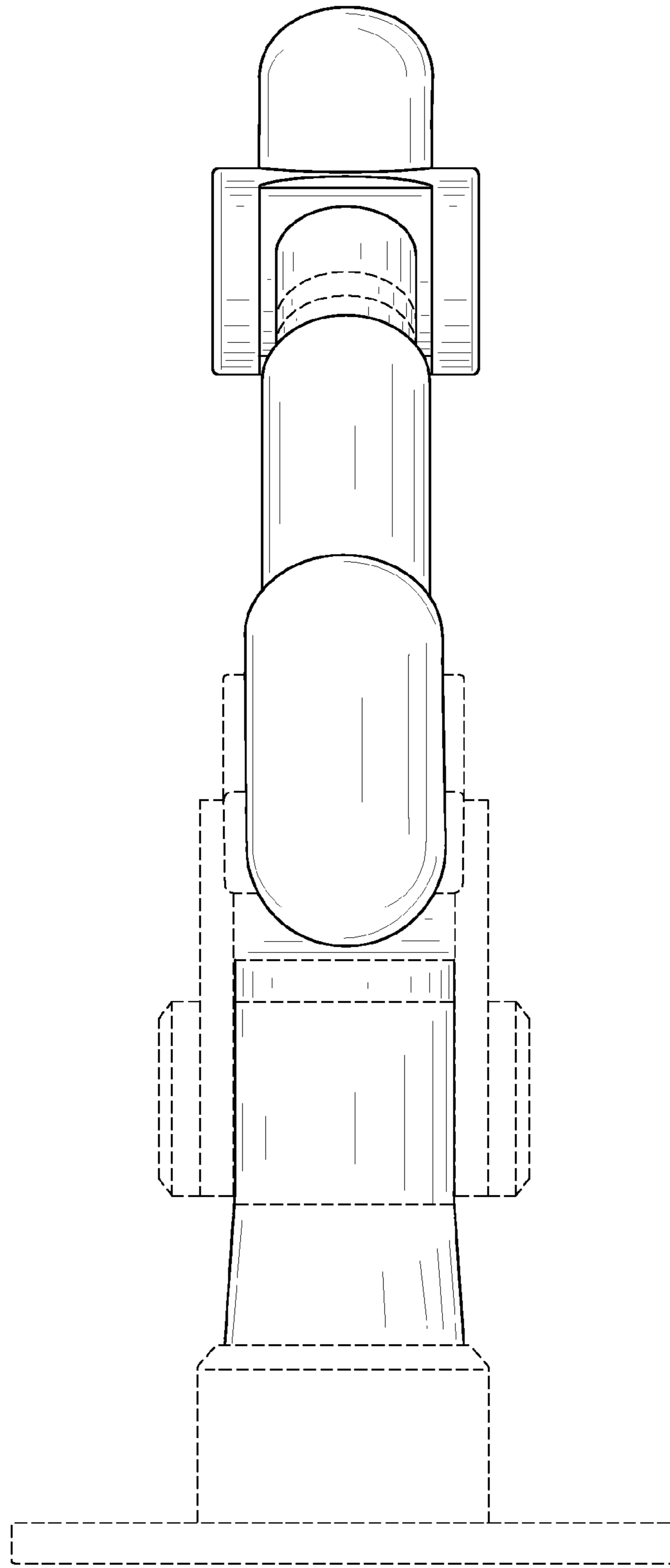


FIG. 4

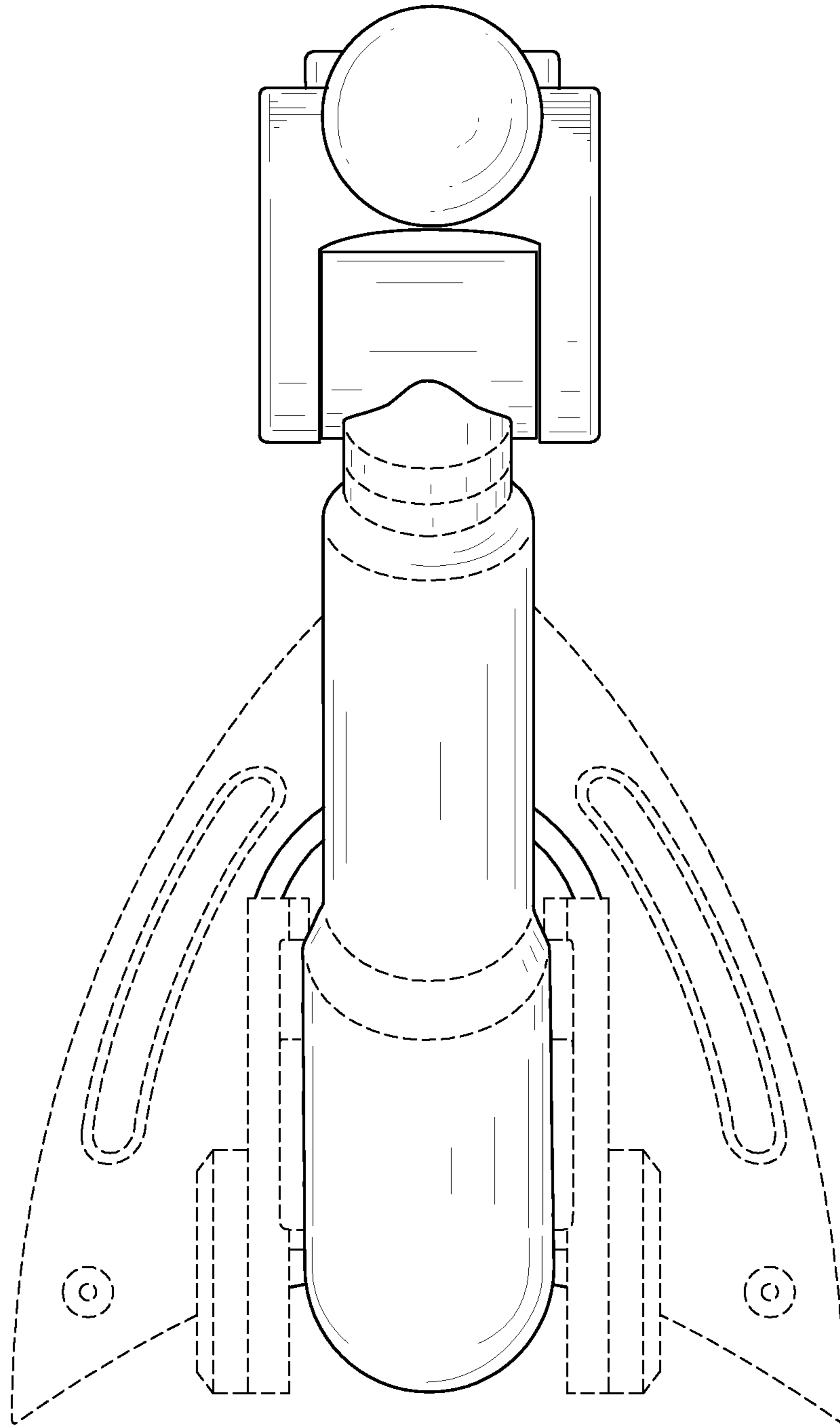


FIG. 5

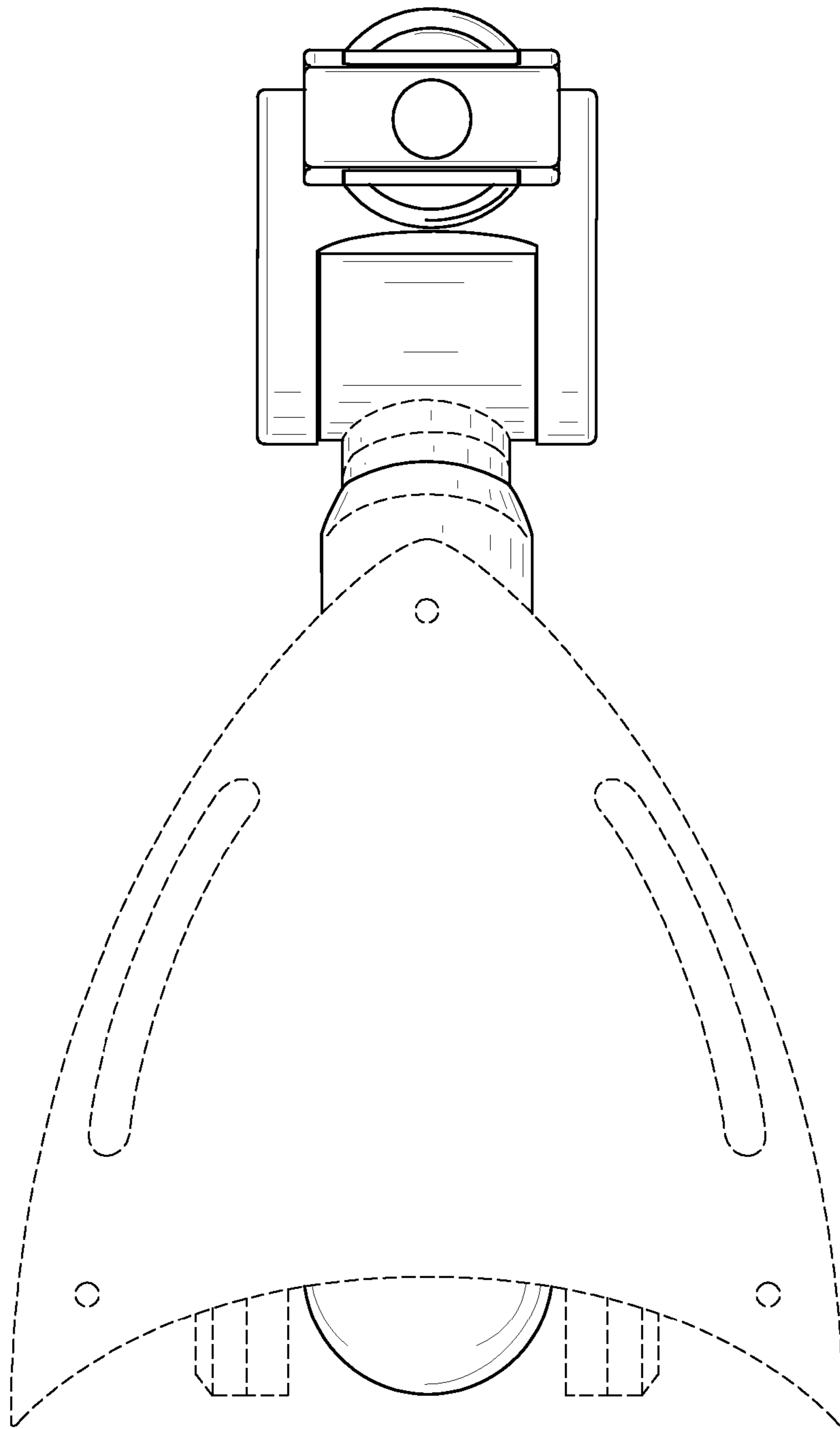


FIG. 6