



US00D599223S

(12) **United States Design Patent**  
**Bialek-Wester**

(10) **Patent No.:** **US D599,223 S**

(45) **Date of Patent:** **\*\* Sep. 1, 2009**

(54) **TIMER**

(75) Inventor: **Tracy Bialek-Wester**, North Melbourne (AU)

(73) Assignee: **Ripple Products Pty Ltd**, North Melbourne, Victoria (AU)

(\*\*) Term: **14 Years**

(21) Appl. No.: **29/301,513**

(22) Filed: **Mar. 4, 2008**

(51) **LOC (9) Cl.** ..... **10-03**

(52) **U.S. Cl.** ..... **D10/40; D10/6; D10/15**

(58) **Field of Classification Search** ..... D10/40, D10/6, 15, 54; 368/285, 276, 316, 317, 107-123  
See application file for complete search history.

(56) **References Cited**

**U.S. PATENT DOCUMENTS**

D52,316 S *	8/1918	Glasman	.....	D10/38
D53,025 S *	2/1919	Weiner	.....	D10/33
D140,278 S *	2/1945	Moses	.....	D10/39
2,803,300 A *	8/1957	Warkentien	.....	368/112
D253,041 S *	10/1979	Ellard	.....	D10/15
D270,623 S *	9/1983	Henkels	.....	D10/2
D282,446 S *	2/1986	Gremonprez et al.	.....	D10/40
D284,358 S *	6/1986	Chan	.....	D10/40
D311,266 S *	10/1990	Parker	.....	D2/866

5,568,452 A *	10/1996	Kronenberg	.....	368/262
D383,983 S *	9/1997	Steinhagen et al.	.....	D10/22
D485,499 S *	1/2004	Dias	.....	D10/32
D488,393 S *	4/2004	Hsu	.....	D10/40
D492,208 S *	6/2004	Dias	.....	D10/32
D506,686 S *	6/2005	Jones et al.	.....	D10/33
D515,440 S *	2/2006	Maddocks, III	.....	D10/40
7,317,664 B2 *	1/2008	Klein	.....	368/107

\* cited by examiner

*Primary Examiner*—Lucy Lieberman

(74) *Attorney, Agent, or Firm*—Wegman, Hessler & Vanderburg

(57) **CLAIM**

The ornamental design for a timer, as shown and described.

**DESCRIPTION**

FIG. 1 is a front perspective view of a timer showing my new design;

FIG. 2 is a rear perspective view thereof;

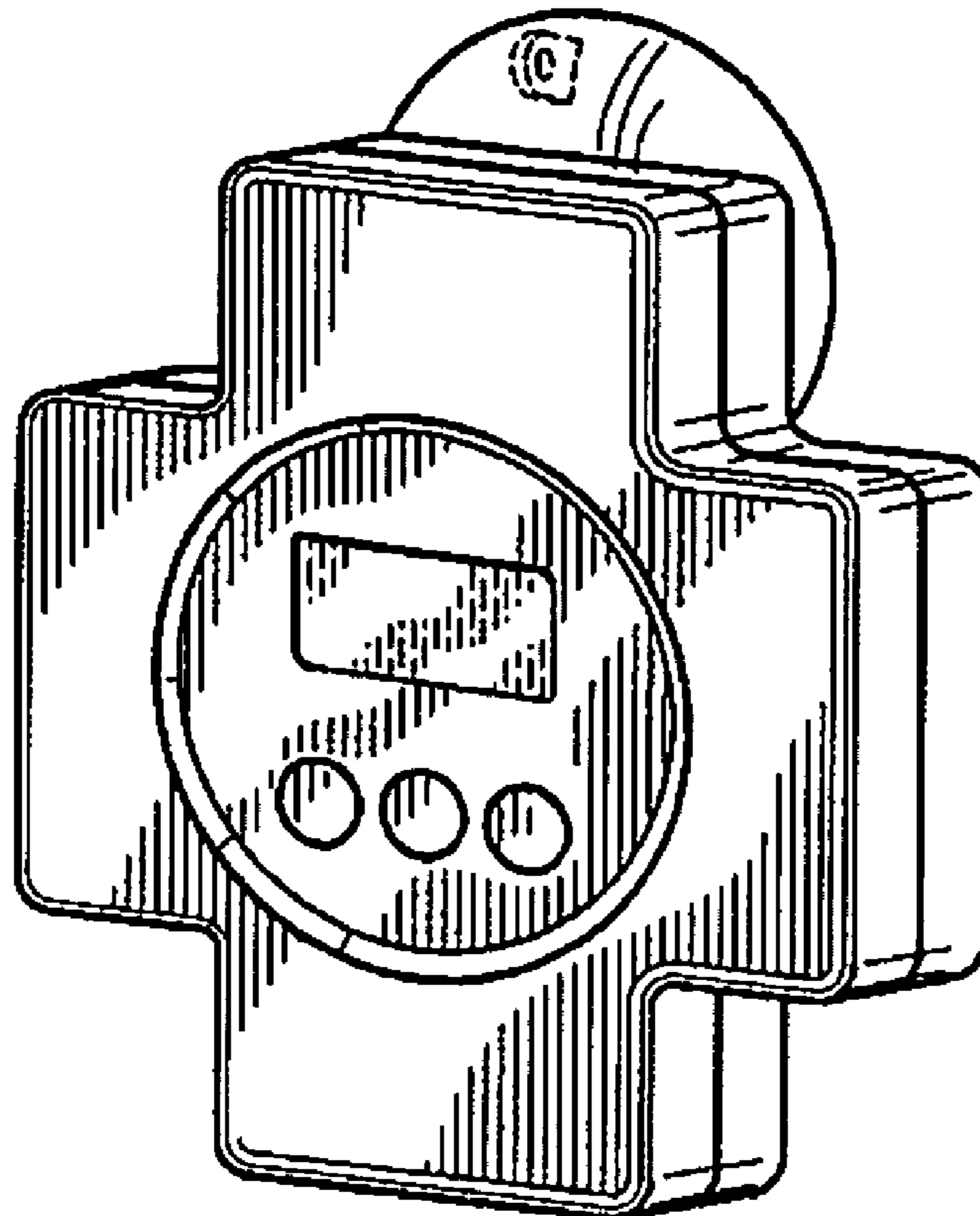
FIG. 3 is a front view of the invention;

FIG. 4 is a rear elevation thereof; and,

FIG. 5 is a top plan view of the invention.

The broken lines in the drawings are for illustrative purposes only and do not form part of the claimed design.

**1 Claim, 1 Drawing Sheet**



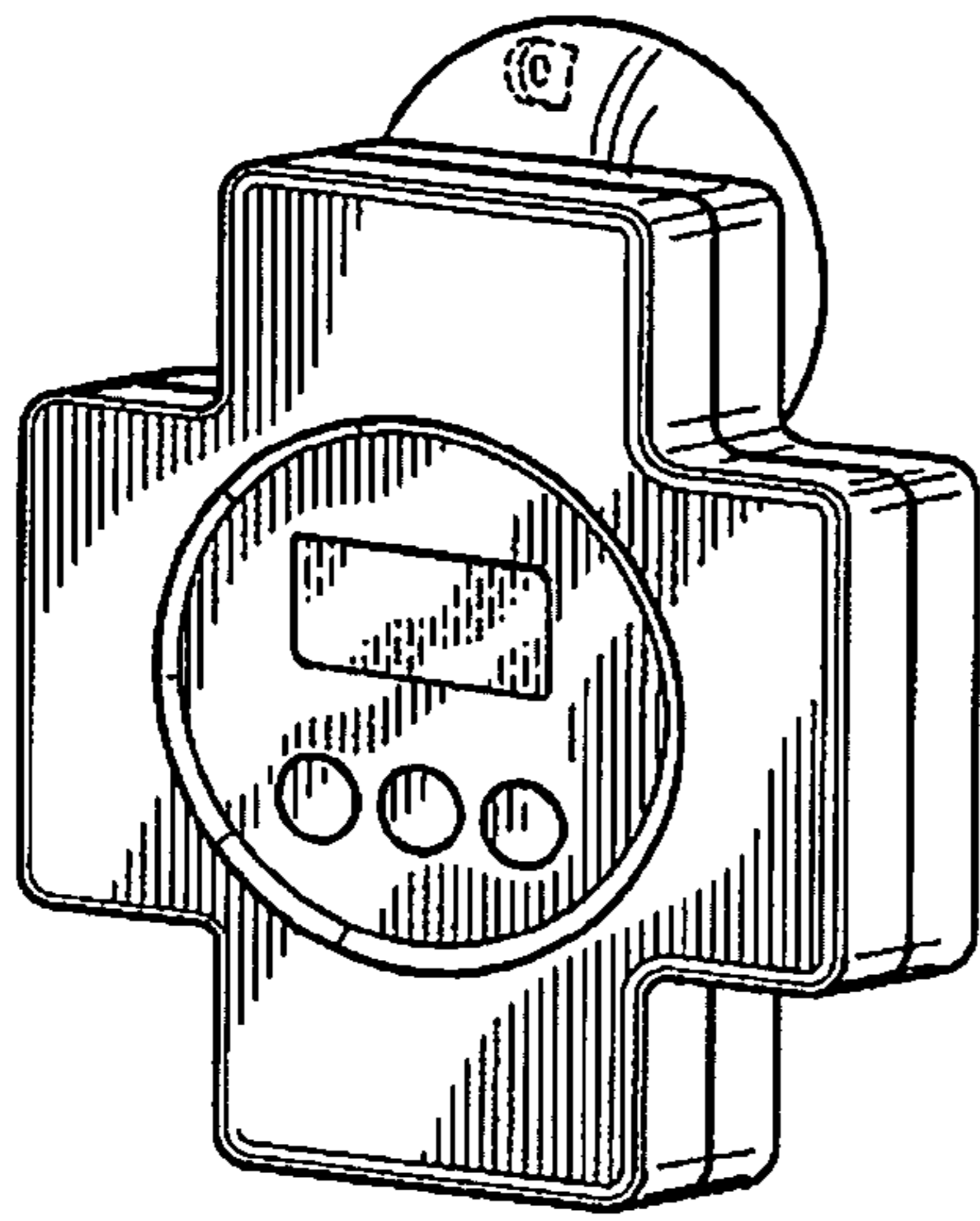


FIG. 1

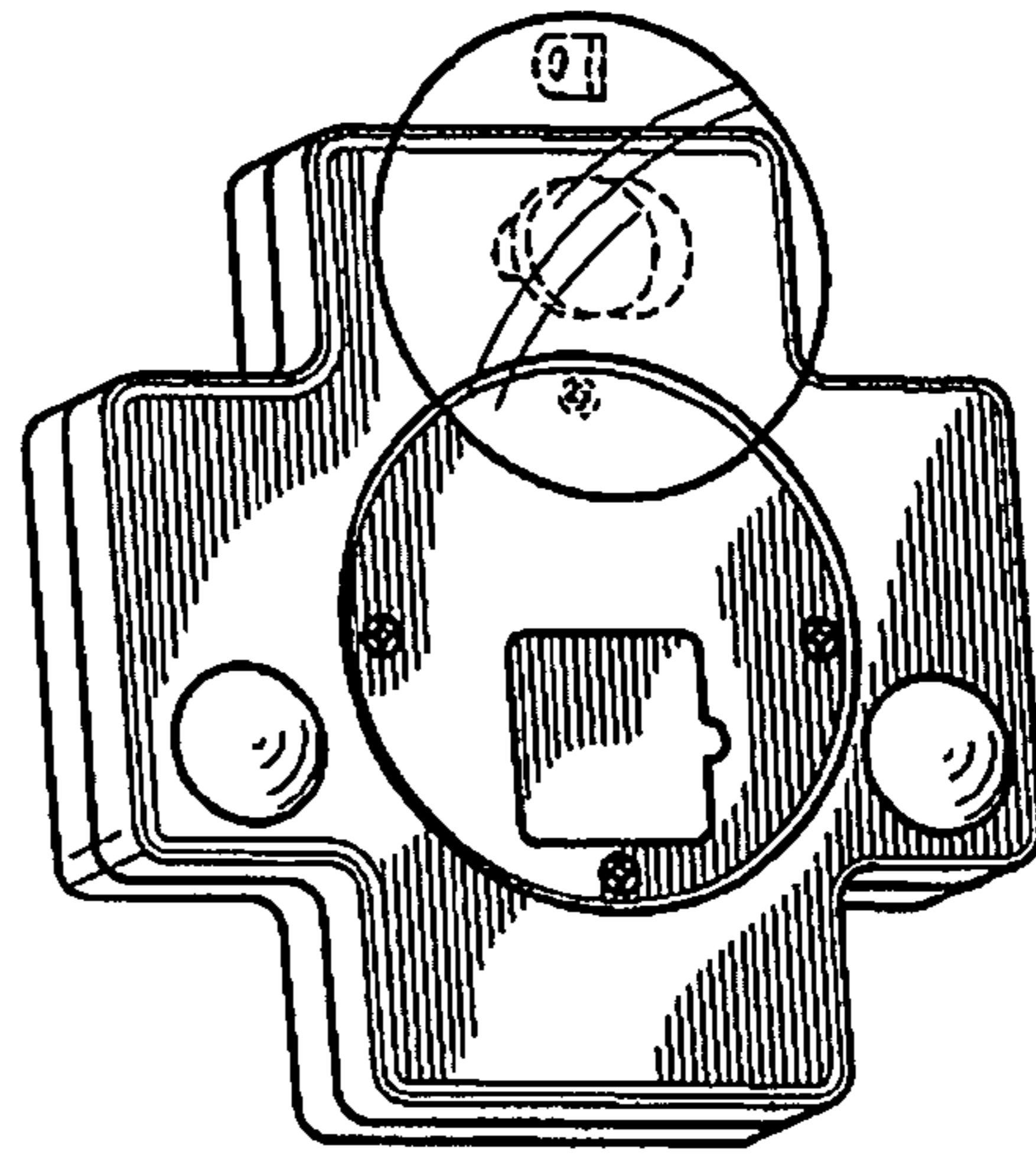


FIG. 2

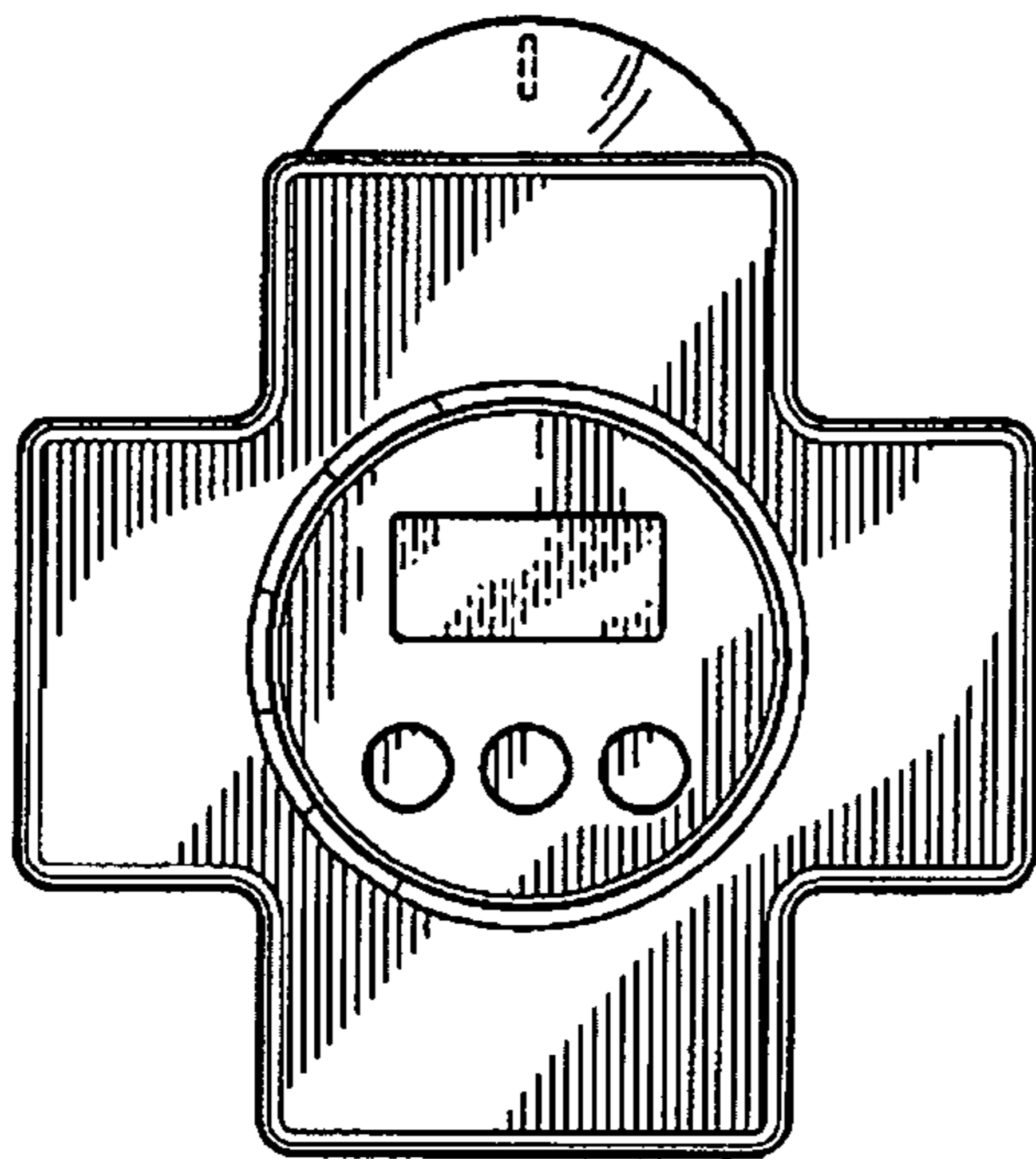


FIG. 3

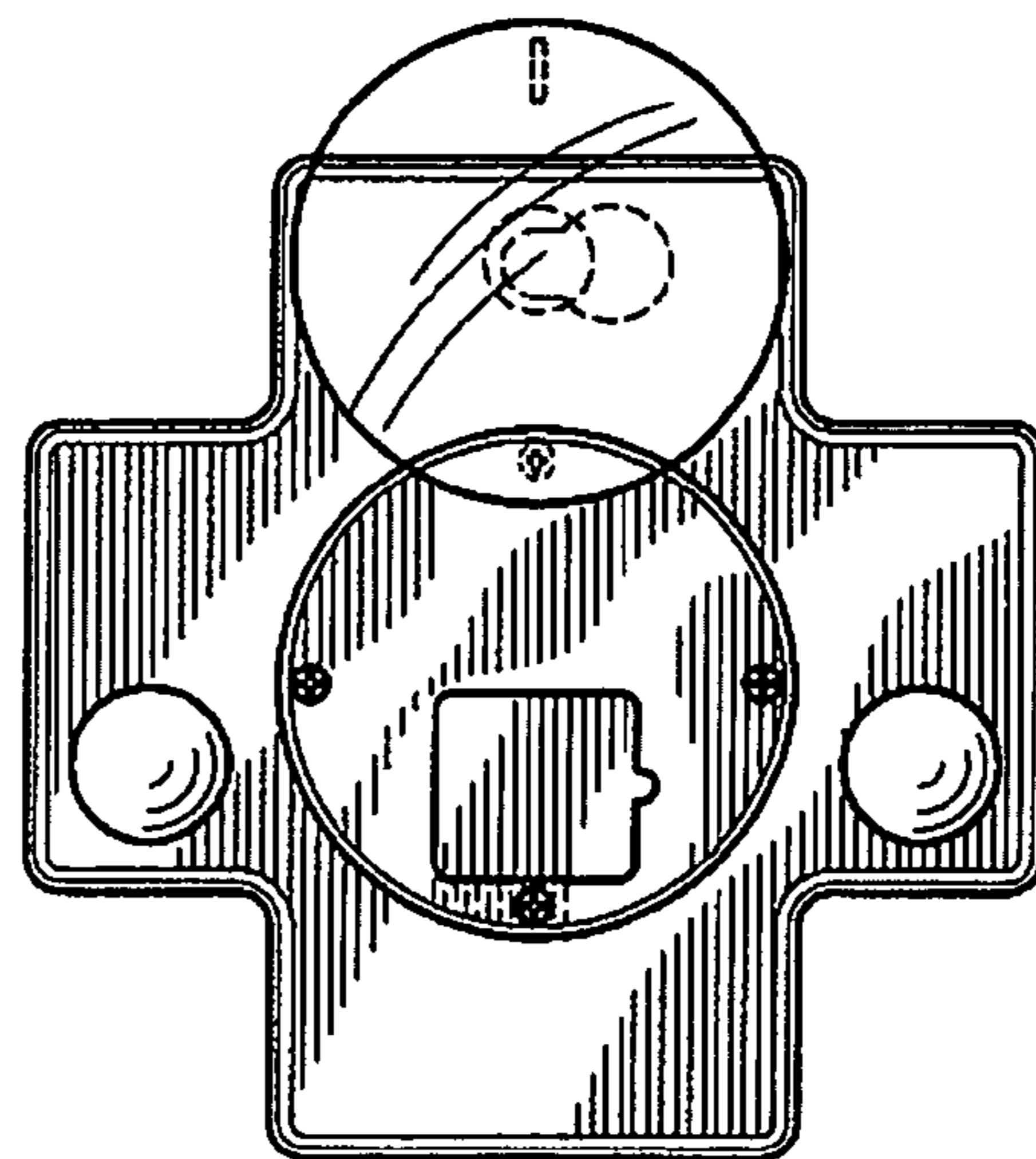


FIG. 4

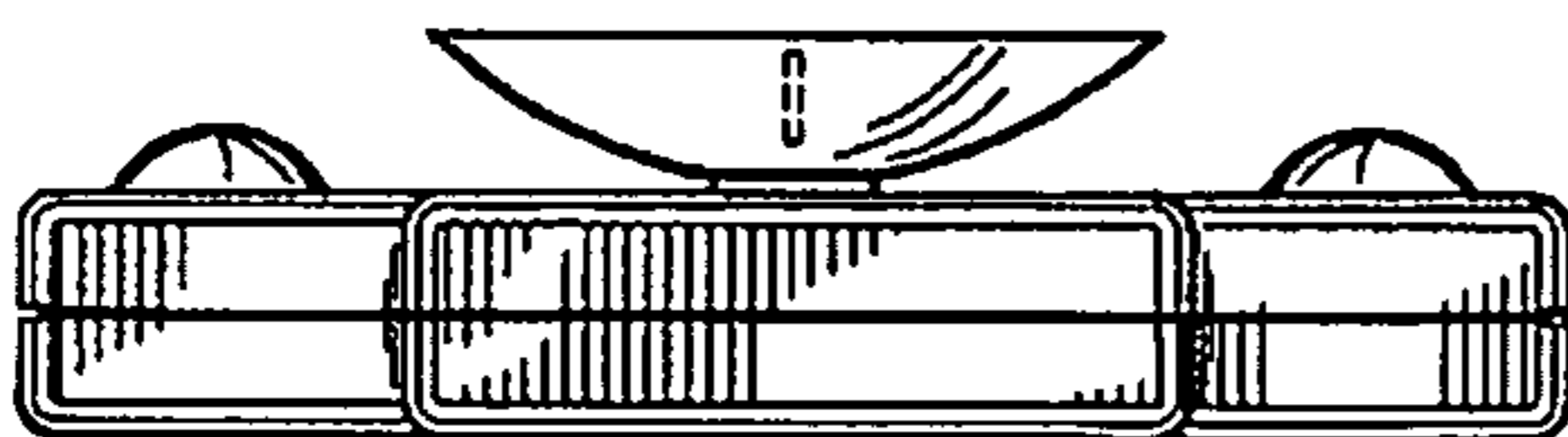


FIG. 5