



US00D599216S

(12) **United States Design Patent**
Sadler et al.

(10) **Patent No.:** **US D599,216 S**
(45) **Date of Patent:** **** Sep. 1, 2009**

(54) **PHOTO ALARM CLOCK**

(75) Inventors: **Catherine Sadler**, New York, NY (US);
Scott Chapps, New York, NY (US);
David Malina, New York, NY (US)

(73) Assignee: **MerchSource, LLC**, Foothill Ranch, CA (US)

(**) Term: **14 Years**

(21) Appl. No.: **29/325,568**

(22) Filed: **Oct. 2, 2008**

(30) **Foreign Application Priority Data**

Sep. 11, 2008 (CN) 2008 3 0191991

(51) **LOC (9) Cl.** **10-01**

(52) **U.S. Cl.** **D10/2; D6/310; D10/15**

(58) **Field of Classification Search** D10/1,
D10/2, 15, 18, 21-26; 368/316, 317, 10,
368/276; D6/300-302, 308, 310

See application file for complete search history.

(56) **References Cited**

U.S. PATENT DOCUMENTS

D264,823 S *	6/1982	Satoh	D10/15
D309,986 S *	8/1990	Sakai	D6/308
D318,018 S *	7/1991	van Lelyveld	D10/15
D333,271 S *	2/1993	Erlichman	D10/2
D337,529 S *	7/1993	Shimamura	D10/18
D363,881 S *	11/1995	Yung	D10/18
D375,902 S *	11/1996	Wong	D10/15
D458,850 S *	6/2002	Fong	D10/18
D529,823 S *	10/2006	Tien	D10/2
D543,868 S *	6/2007	Bhavnani	D10/2
D543,869 S *	6/2007	Chavarri	D10/2
D545,691 S *	7/2007	Bhavnani	D10/2
D569,629 S *	5/2008	Yu et al.	D6/308

* cited by examiner

Primary Examiner—Lucy Lieberman

(74) *Attorney, Agent, or Firm*—The Eclipse Group LLP

(57) **CLAIM**

We claim the ornamental design for a photo alarm clock, as shown and described.

DESCRIPTION

FIG. 1 is a front perspective view of a photo alarm clock.

FIG. 2 is a rear perspective view of the photo alarm clock illustrated in FIG. 1.

FIG. 3 is a front elevational view of the photo alarm clock illustrated in FIG. 1.

FIG. 4 is a rear elevational view of the photo alarm clock illustrated in FIG. 1.

FIG. 5 is a right side view of the photo alarm clock.

FIG. 6 is a left side view of the photo alarm clock.

FIG. 7 is a top plan view of the photo alarm clock.

FIG. 8 is a bottom plan view of the photo alarm clock.

FIG. 9 is a front elevational view of the photo alarm clock illustrated in FIG. 1 in a closed position.

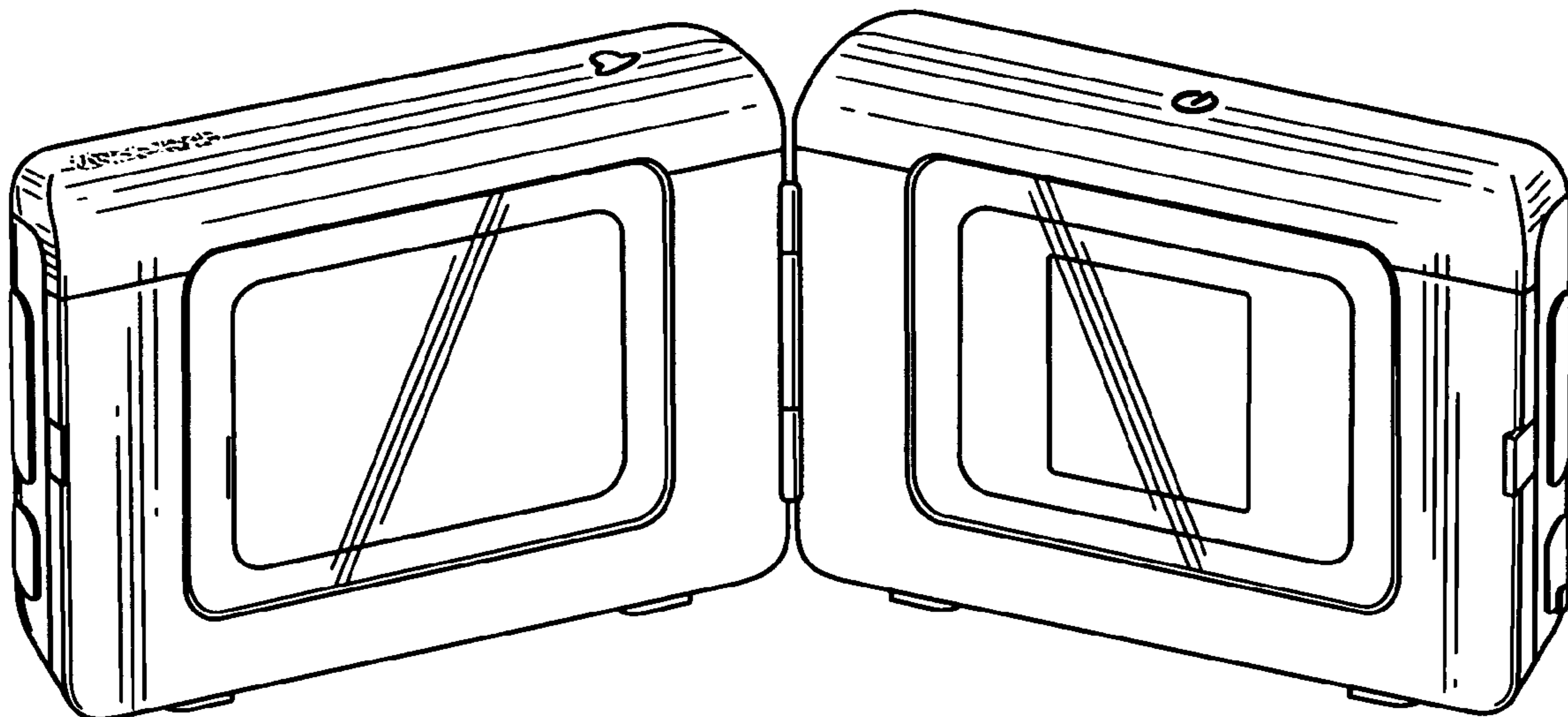
FIG. 10 is a rear elevational view of the photo alarm clock illustrated in FIG. 1 in a closed position.

FIG. 11 is a top plan view of the photo alarm clock shown in a closed position; and,

FIG. 12 is a bottom plan view of the photo alarm clock shown in a closed position.

The portions of the photo alarm clock in broken lines are shown for illustrative purposes only and form no part of the claimed design.

1 Claim, 10 Drawing Sheets



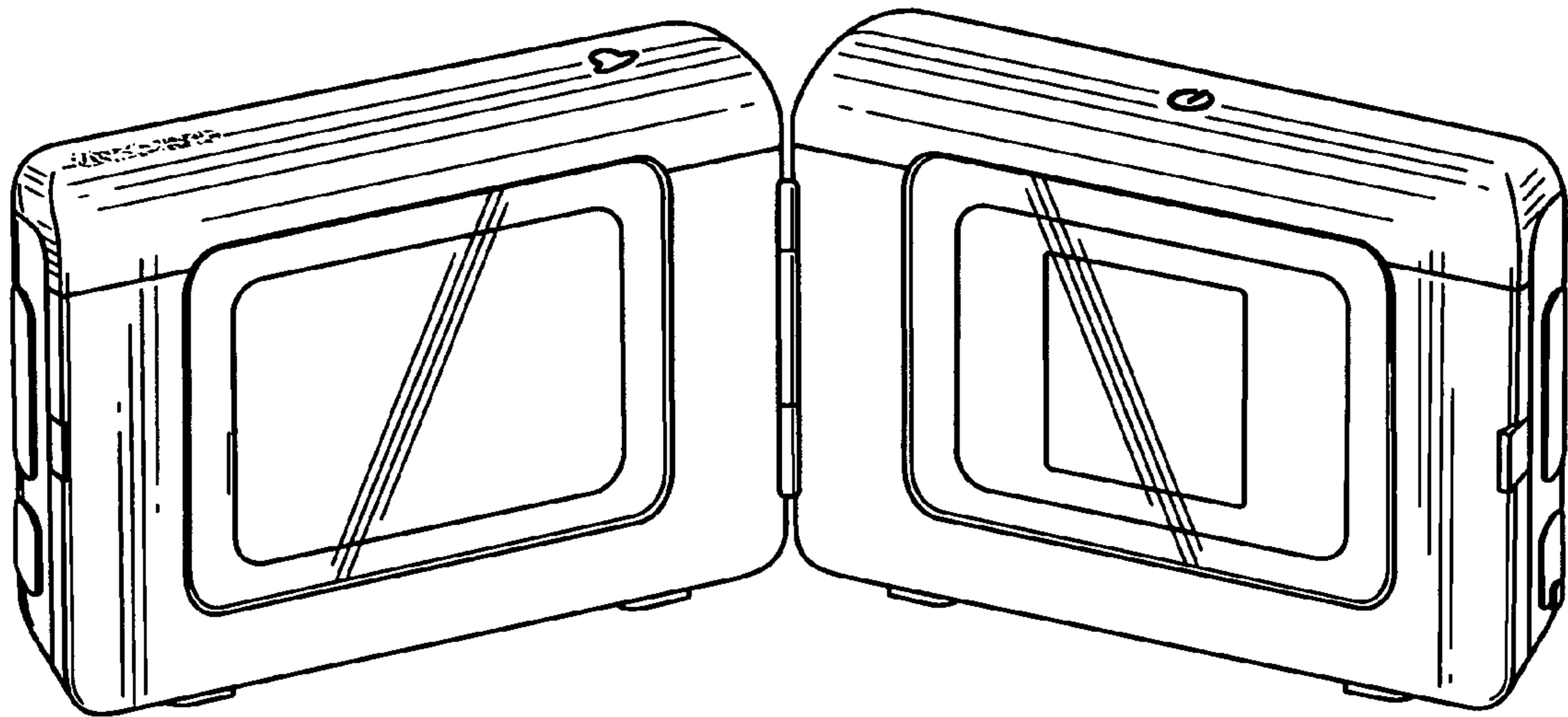


Fig. 1

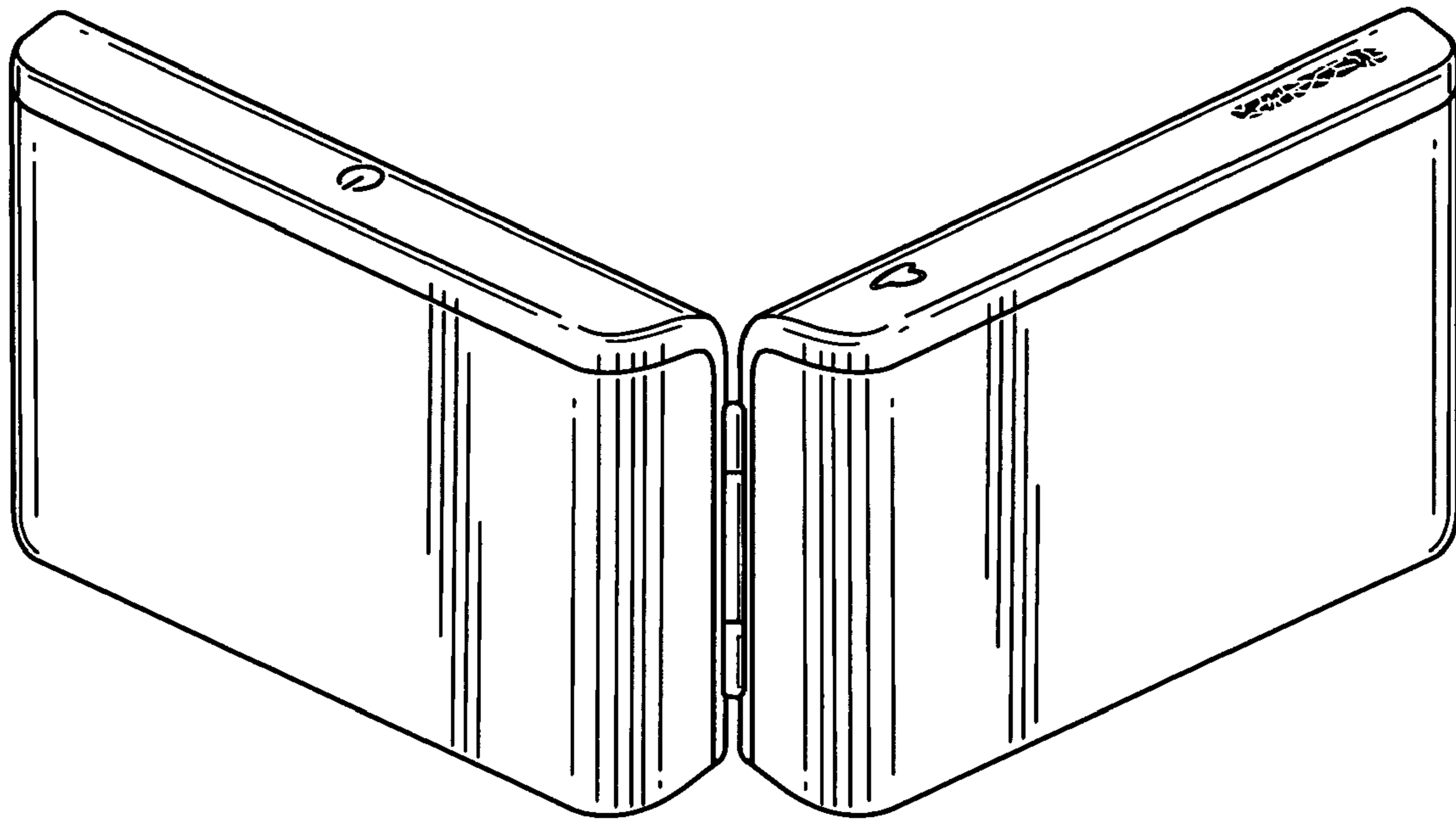


Fig. 2

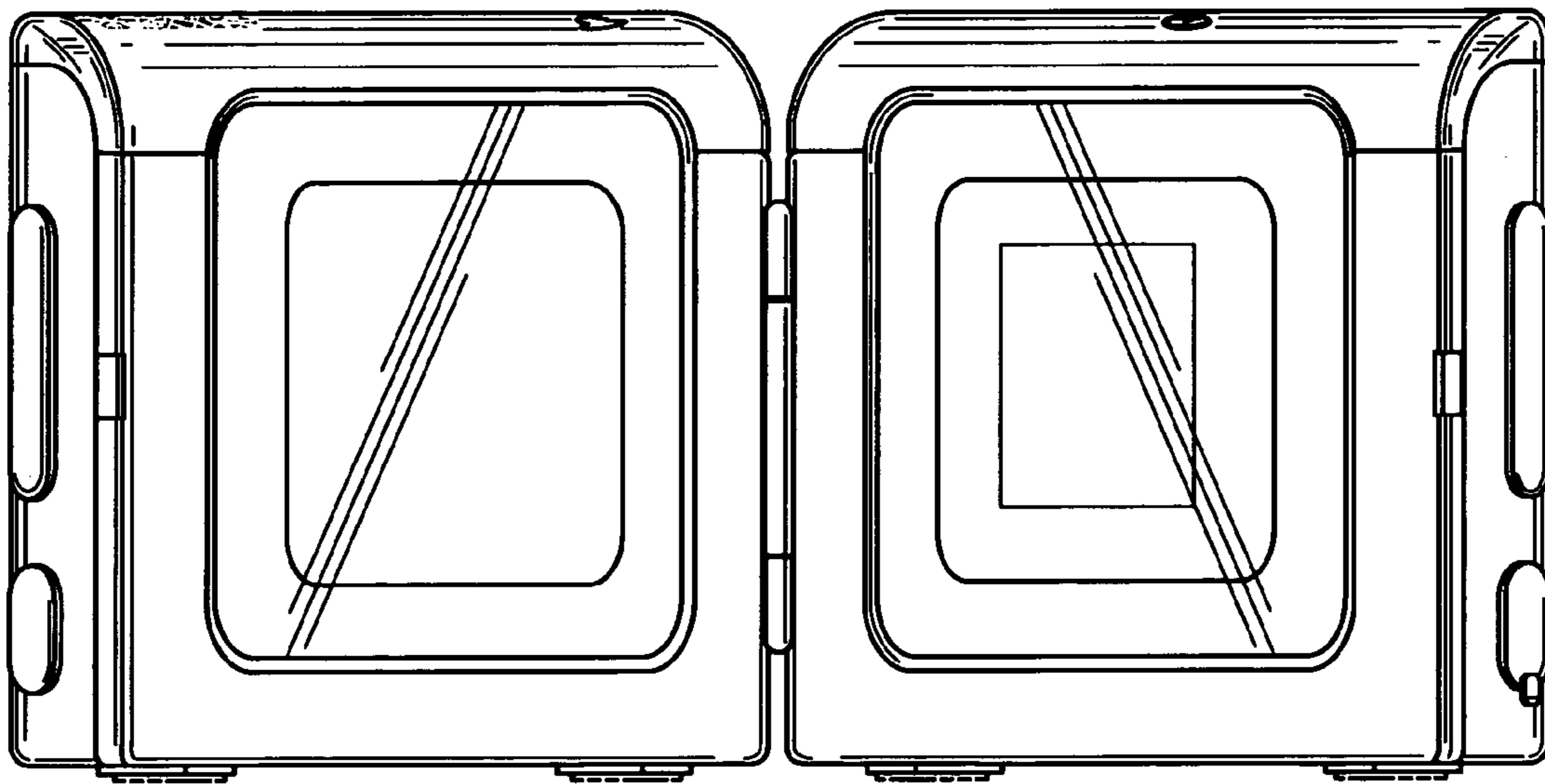


Fig. 3

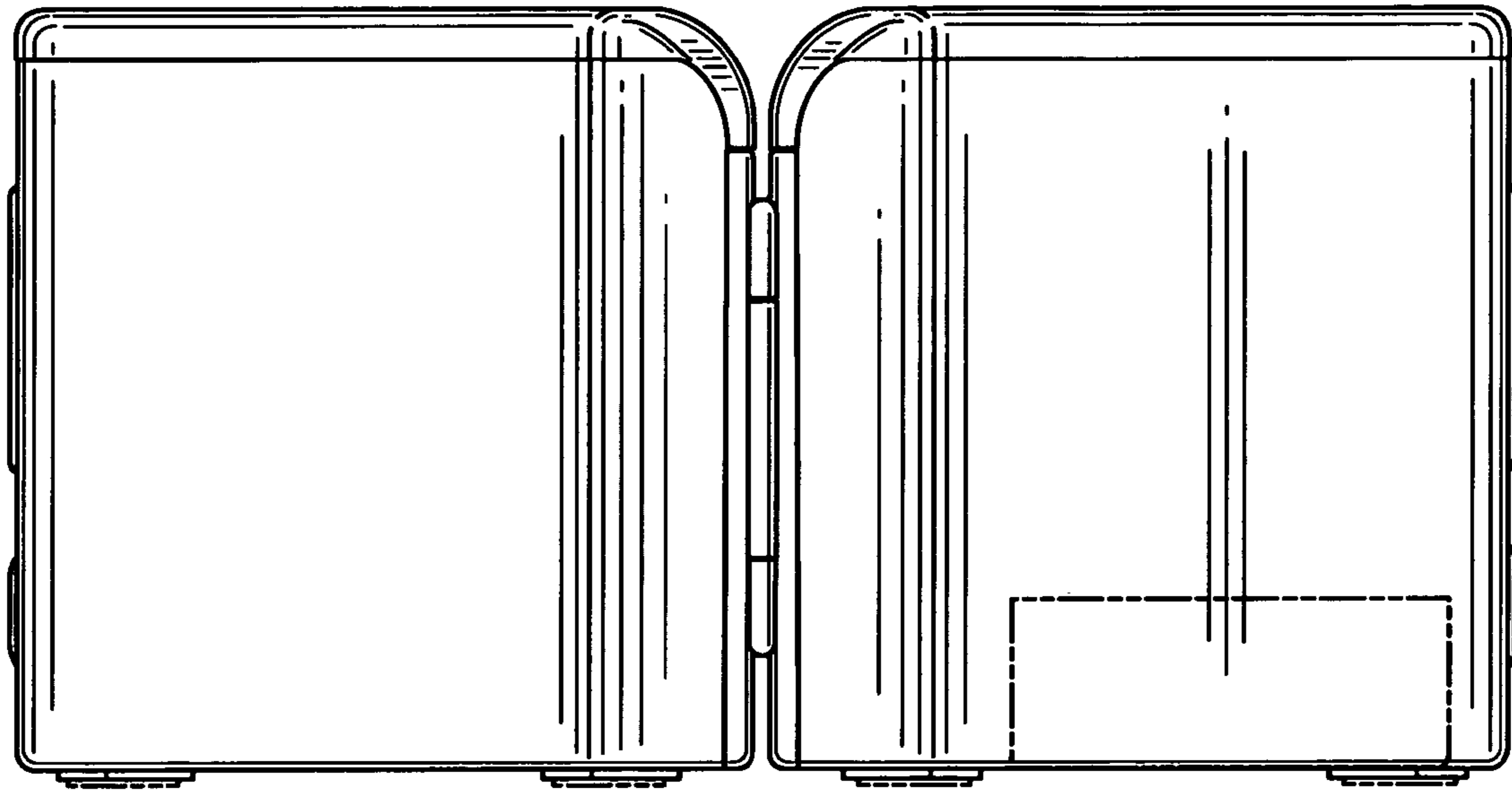


Fig. 4

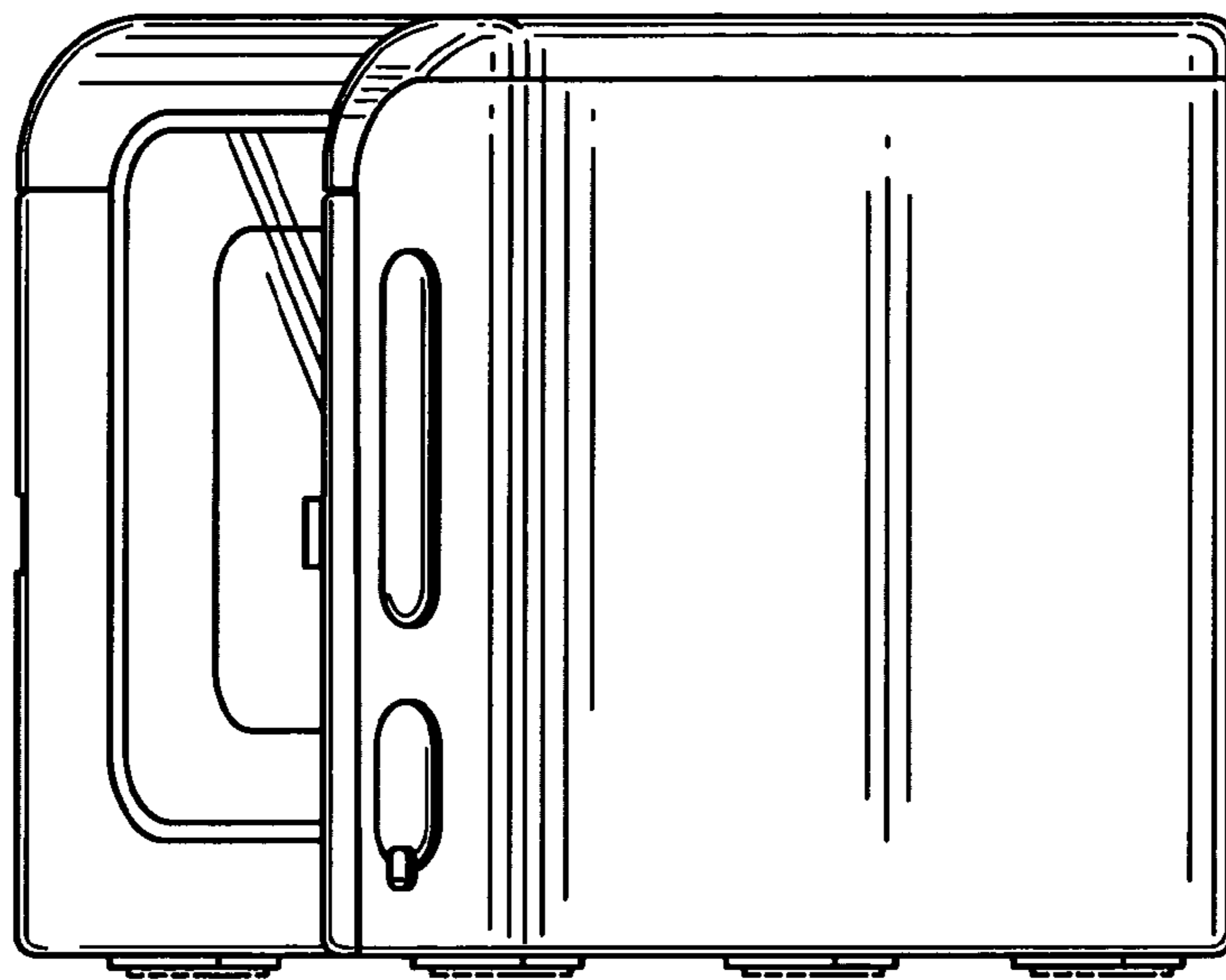


Fig. 5

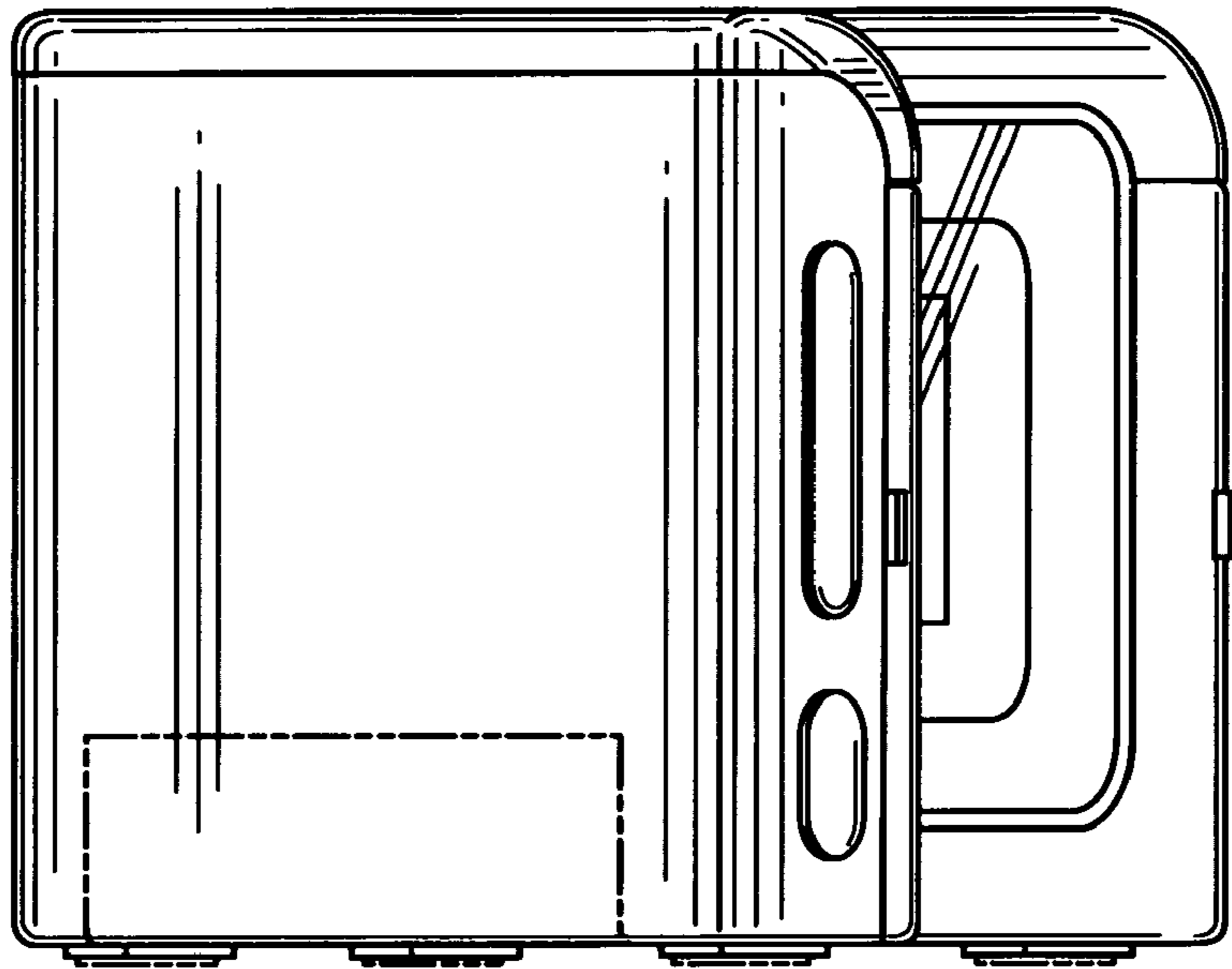


Fig. 6

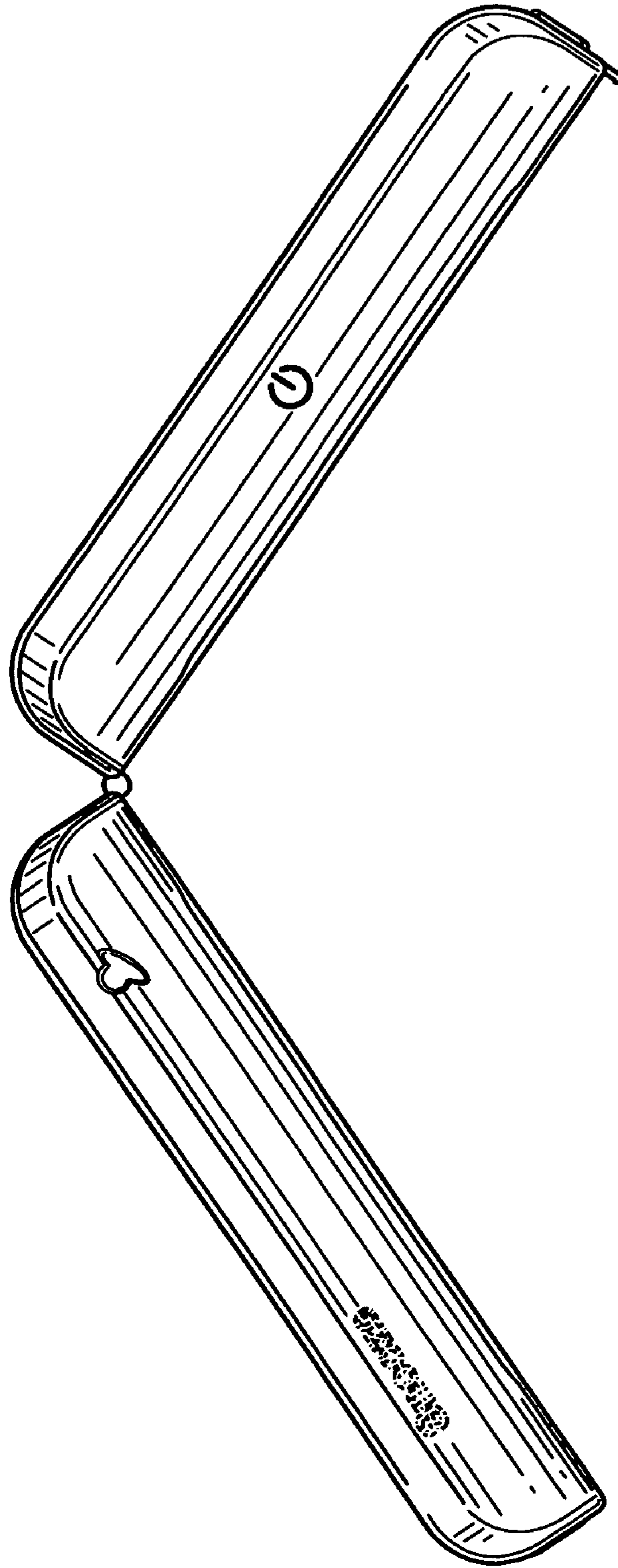


Fig. 7

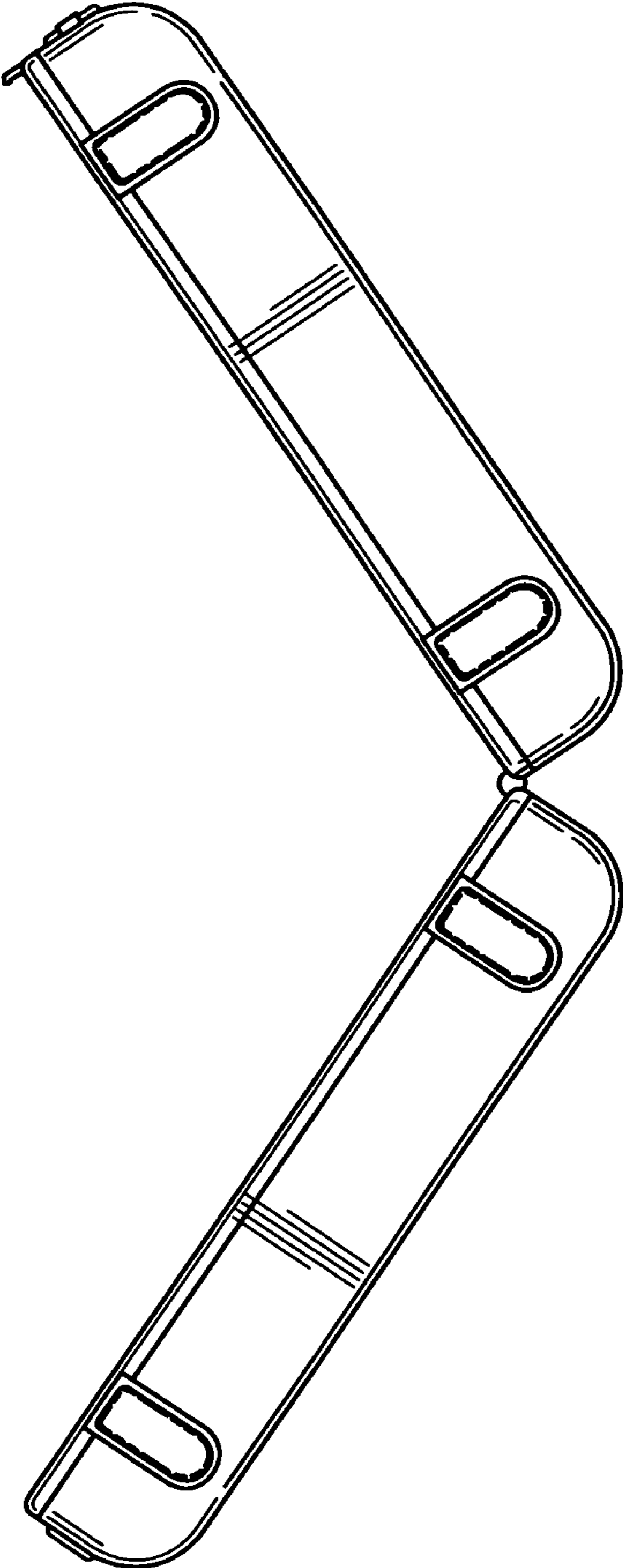


Fig. 8

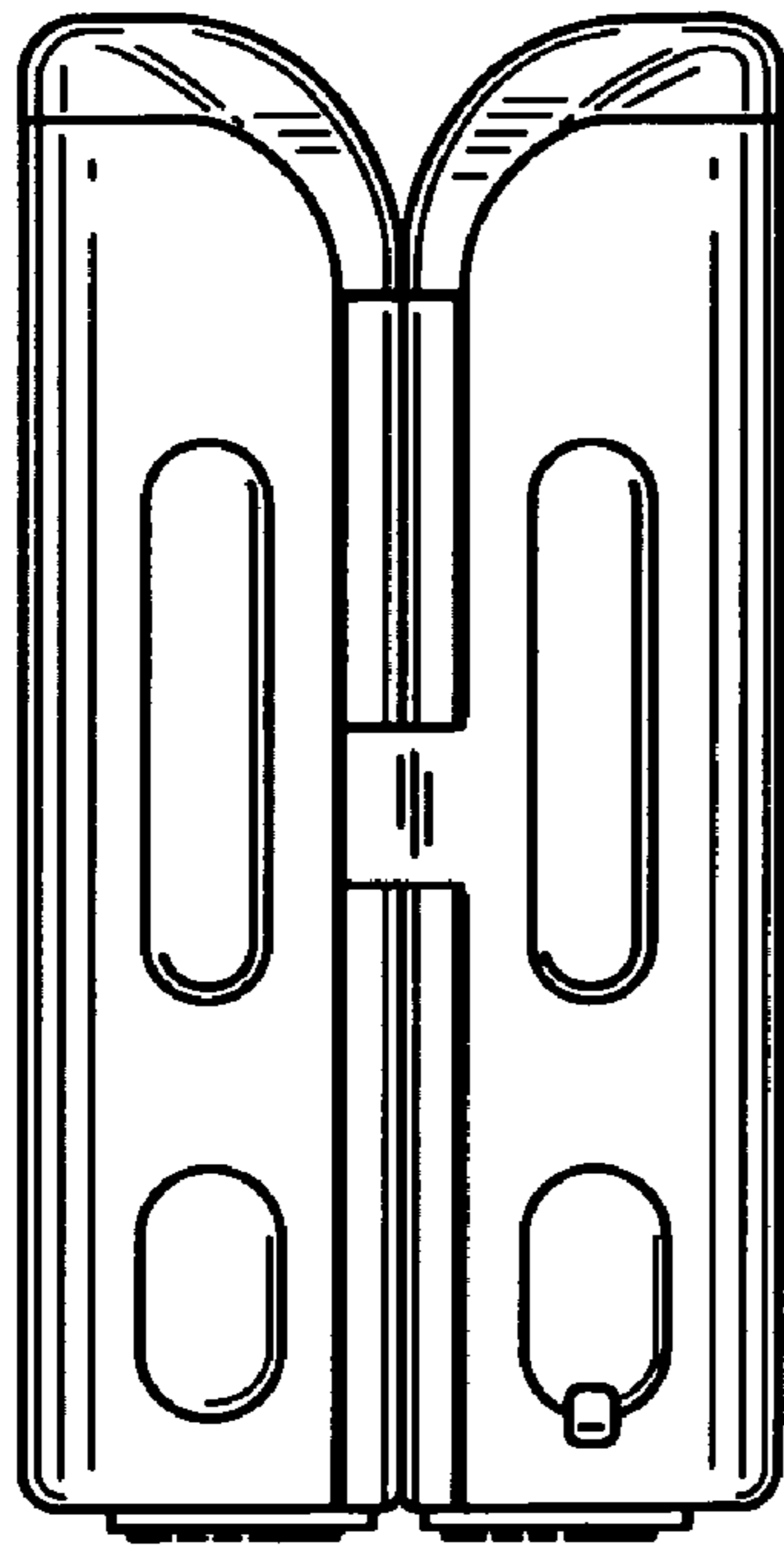


Fig. 9

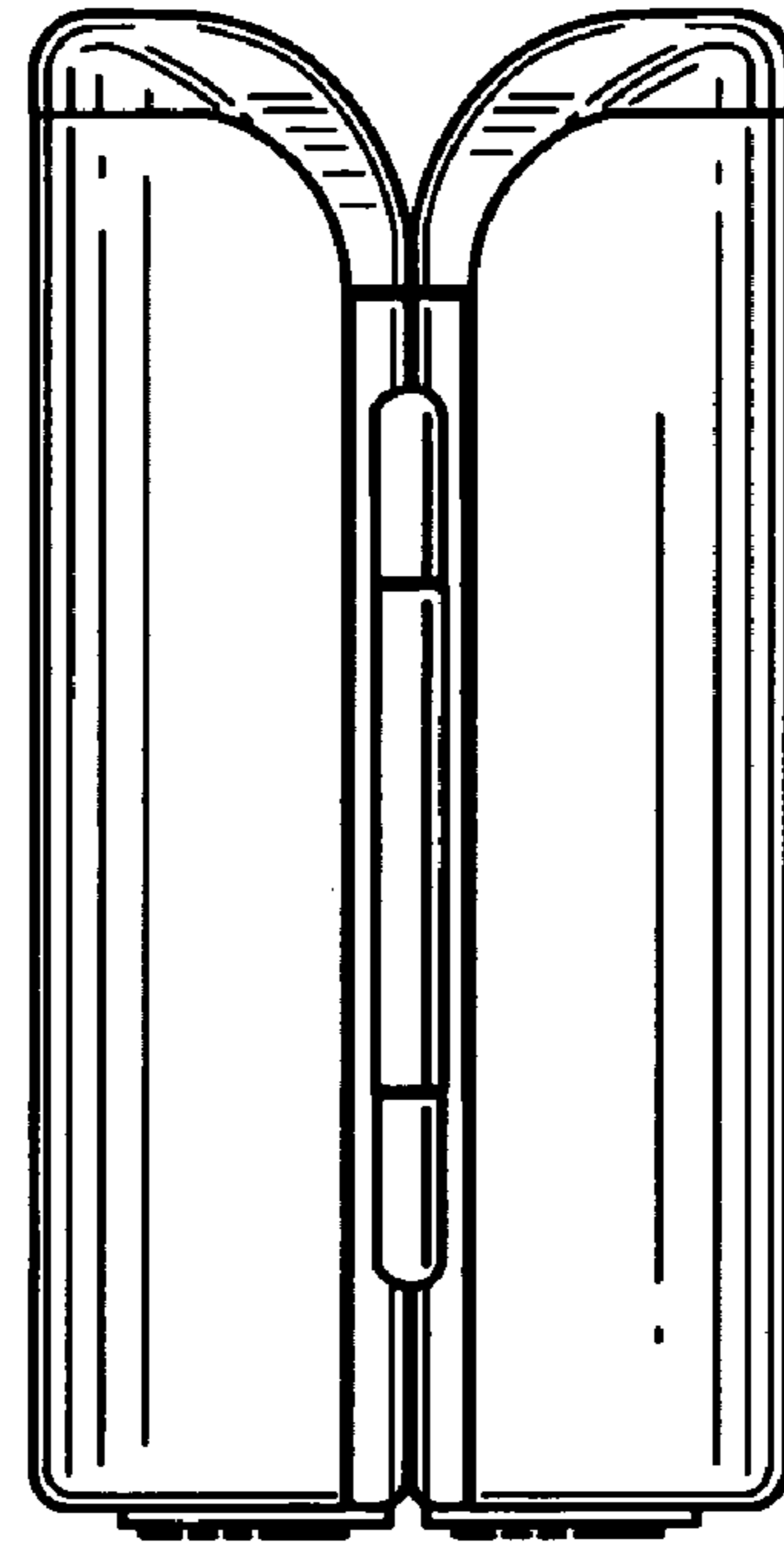


Fig. 10



Fig. 11

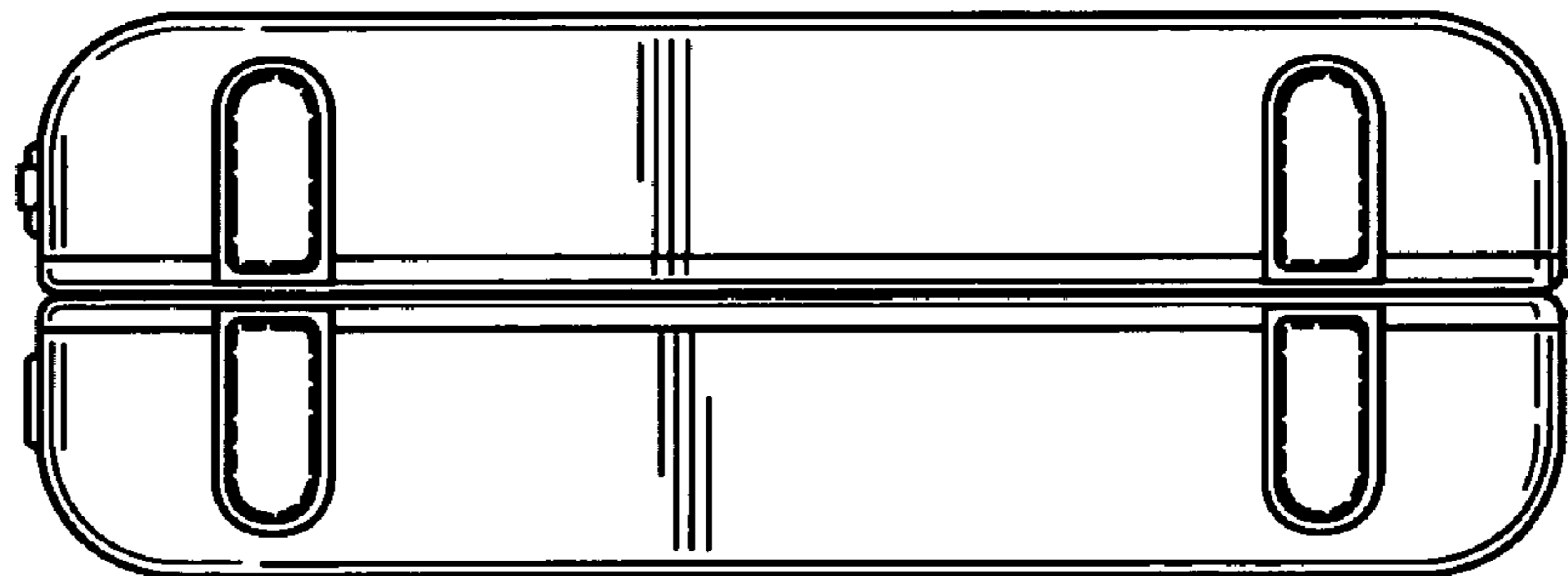


Fig. 12