



US00D599215S

(12) **United States Design Patent**
Mulhauser et al.

(10) **Patent No.:** **US D599,215 S**

(45) **Date of Patent:** **** Sep. 1, 2009**

(54) **HAIR FIBER DISPENSER**

(75) Inventors: **Paul Mulhauser**, New York, NY (US);
Kyungmin Andy Lee, Wyckoff, NJ
(US); **Mark Kress**, Westport, CT (US)

(73) Assignee: **Spencer Forrest, Inc.**, Westport, CT
(US)

(**) Term: **14 Years**

(21) Appl. No.: **29/296,167**

(22) Filed: **Oct. 15, 2007**

(51) **LOC (9) Cl.** **09-01**

(52) **U.S. Cl.** **D9/724**

(58) **Field of Classification Search** D9/724,
D9/448, 454, 682, 686, 688, 689; 222/633,
222/209, 148, 630; 132/270, 201, 56, 53,
132/54, 319; 604/58; 239/349; 424/45-47
See application file for complete search history.

(56) **References Cited**

U.S. PATENT DOCUMENTS

D182,860	S	*	5/1958	Szajna	D9/724
2,865,370	A	*	12/1958	Gattone	128/200.23
3,799,398	A	*	3/1974	Morane et al.	222/39
D297,305	S	*	8/1988	Rudick et al.	D9/688
D303,627	S	*	9/1989	Wilkinson	D9/689
4,880,161	A	*	11/1989	Wright	239/330
D343,591	S	*	1/1994	Lovato	D11/87
D390,107	S	*	2/1998	Hundertmark et al.	D9/724
D402,193	S	*	12/1998	Bell et al.	D9/693
6,269,979	B1	*	8/2001	Dumont	222/145.1

D480,960	S	*	10/2003	Gray et al.	D9/741
D492,199	S	*	6/2004	Rashid	D9/504
D519,372	S	*	4/2006	Hsieh	D9/448
7,140,522	B2	*	11/2006	Kress	222/633
D534,425	S	*	1/2007	Kuo	D9/448
D543,421	S	*	5/2007	Waymire	D7/670
D555,507	S	*	11/2007	Presche	D9/690
D563,796	S	*	3/2008	Rossignol	D9/690
D569,724	S	*	5/2008	Bloc et al.	D9/448
D582,787	S	*	12/2008	Richmond	D9/697
2004/0262340	A1	*	12/2004	Kress	222/633
2006/0054634	A1	*	3/2006	Mekata	222/94

* cited by examiner

Primary Examiner—Stella M Reid

Assistant Examiner—Mark A Goodwin

(74) *Attorney, Agent, or Firm*—Venable LLP; Stefan J. Kirchanski

(57) **CLAIM**

The ornamental design for a hair fiber dispenser, as shown

DESCRIPTION

FIG. 1 is a top right perspective view of a hair fiber dispenser showing our new design;

FIG. 2 is a right side view thereof;

FIG. 3 is a left sided view thereof;

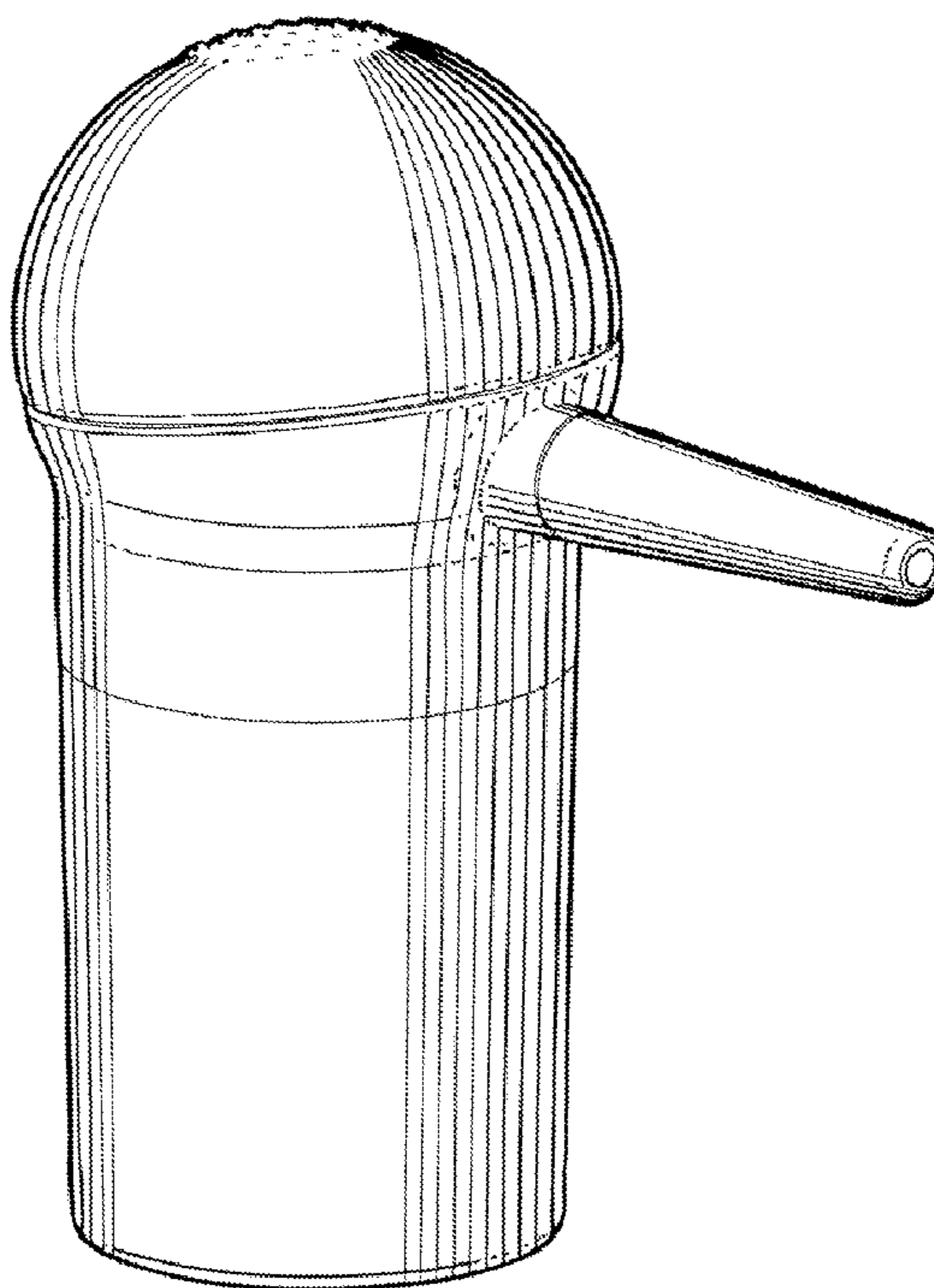
FIG. 4 is a top view thereof;

FIG. 5 is a bottom view thereof;

FIG. 6 is a front view thereof; and,

FIG. 7 is a back view thereof.

1 Claim, 7 Drawing Sheets



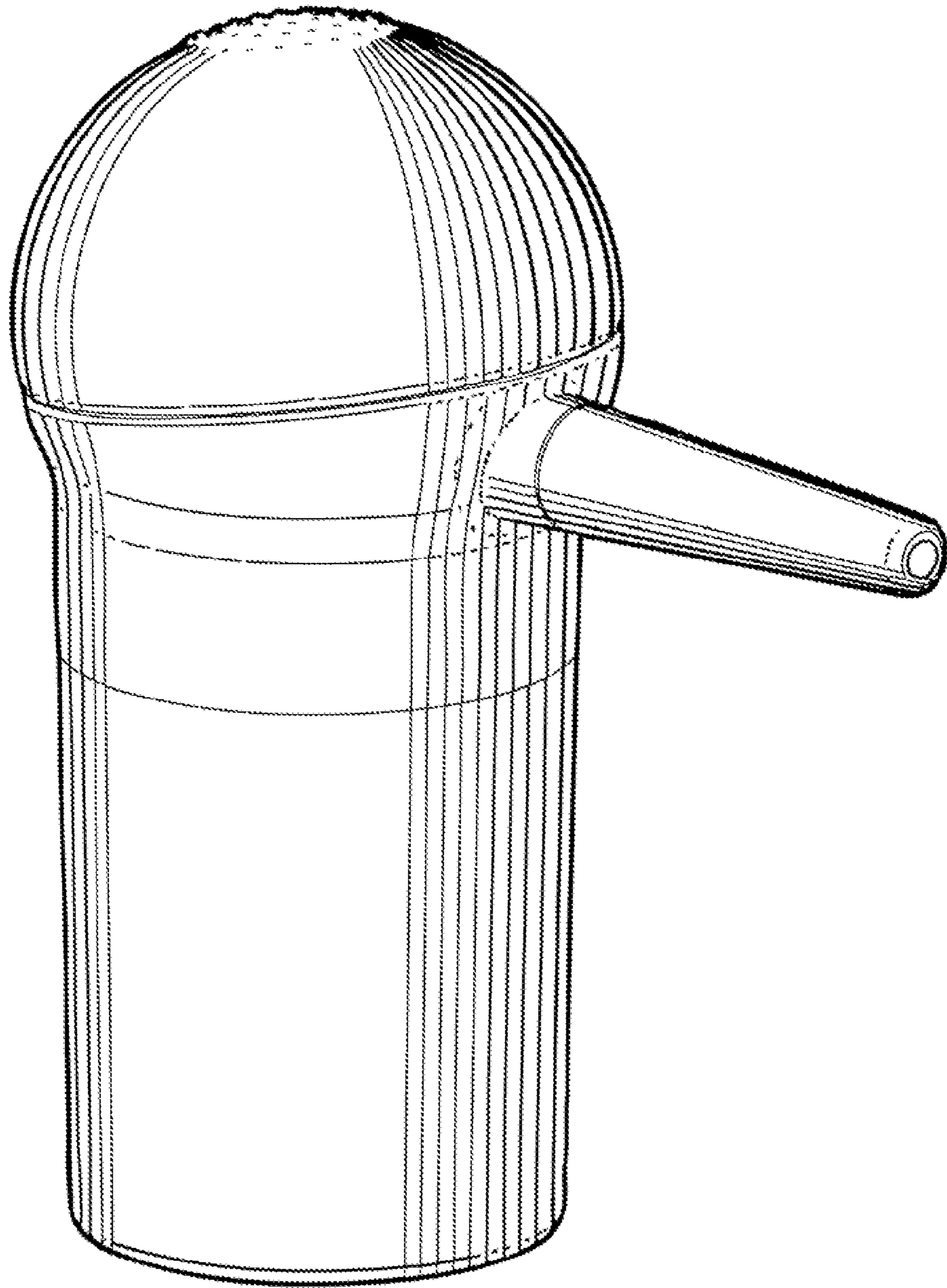


Fig. 1

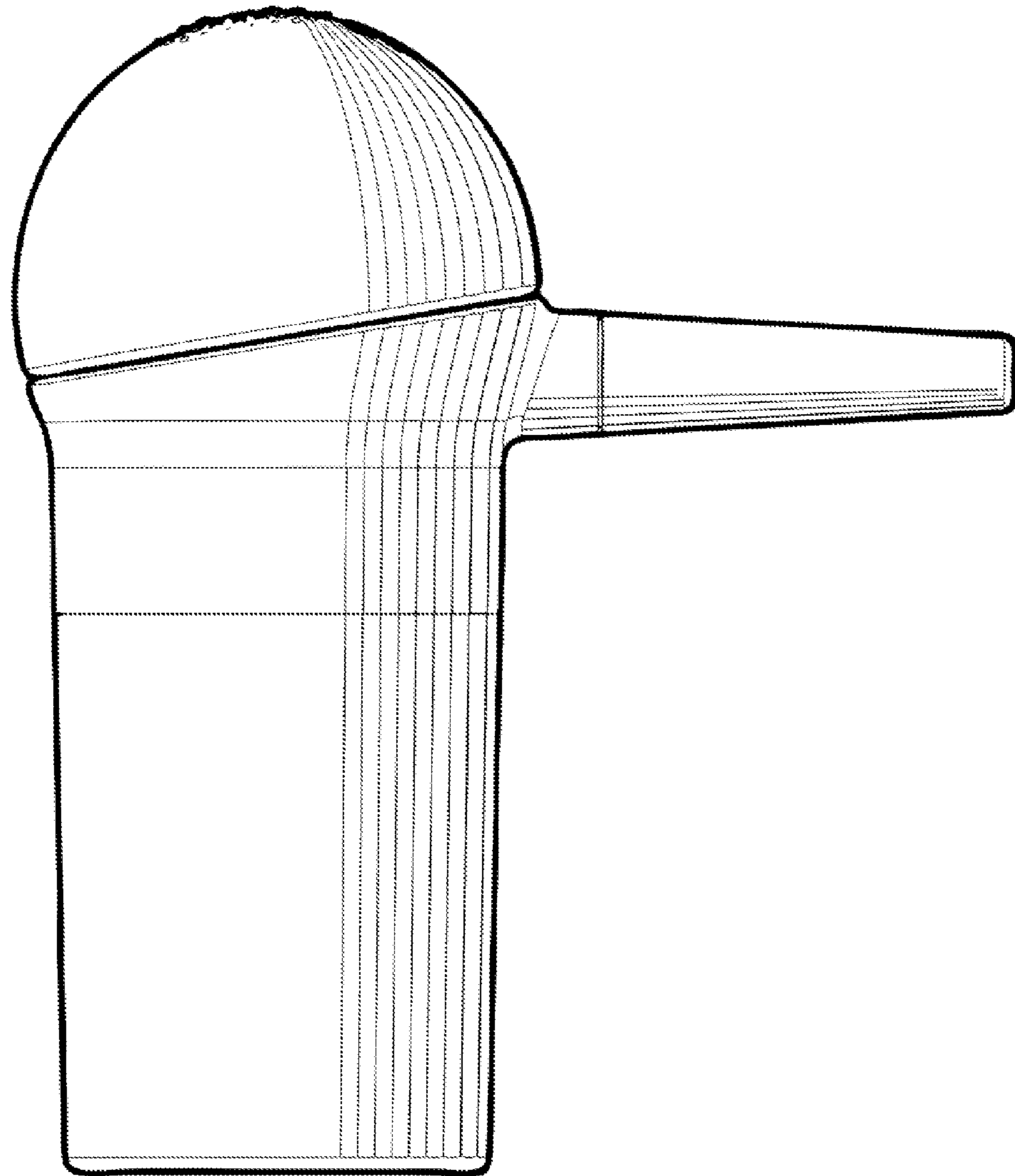


Fig. 2

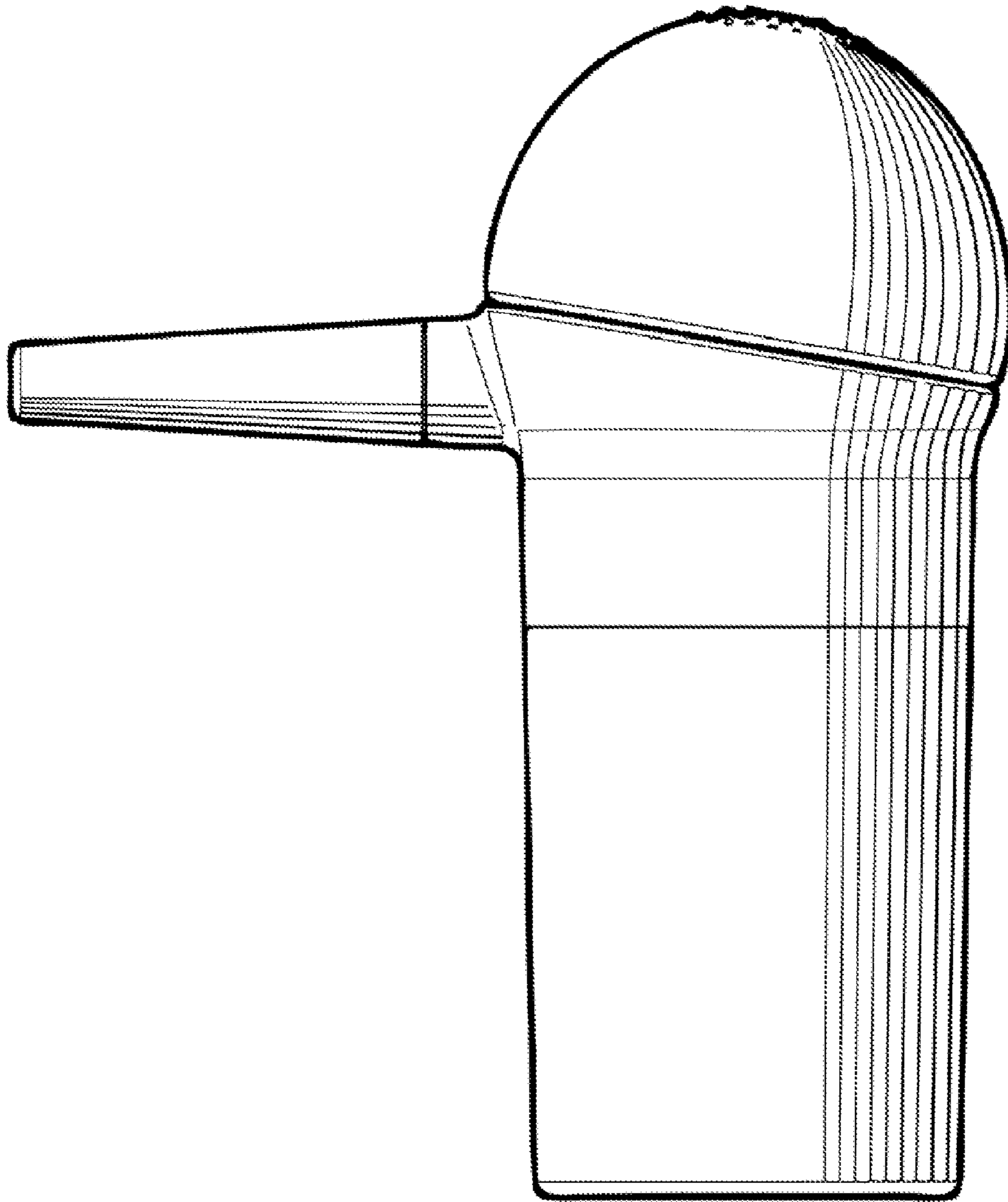


Fig. 3

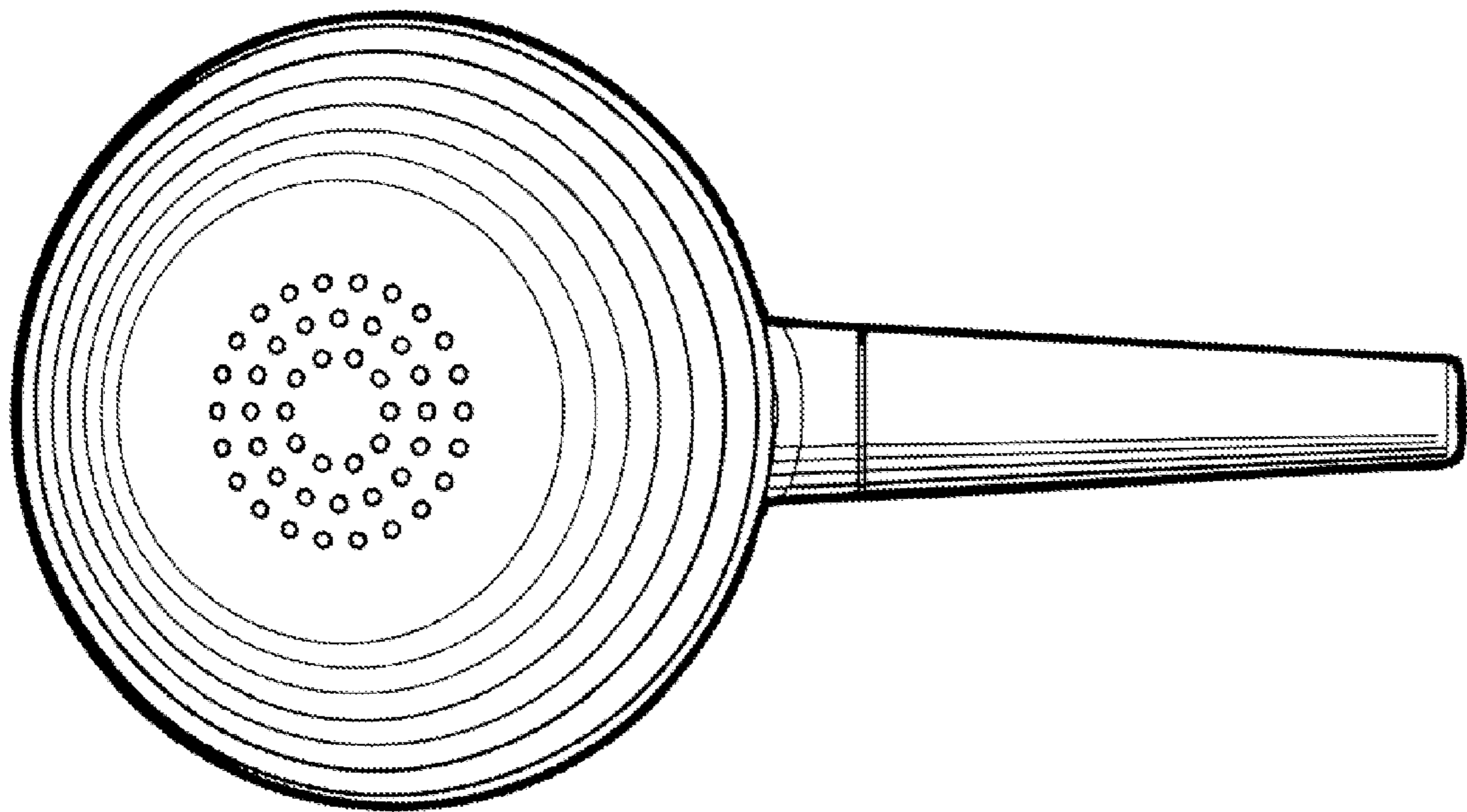


Fig. 4

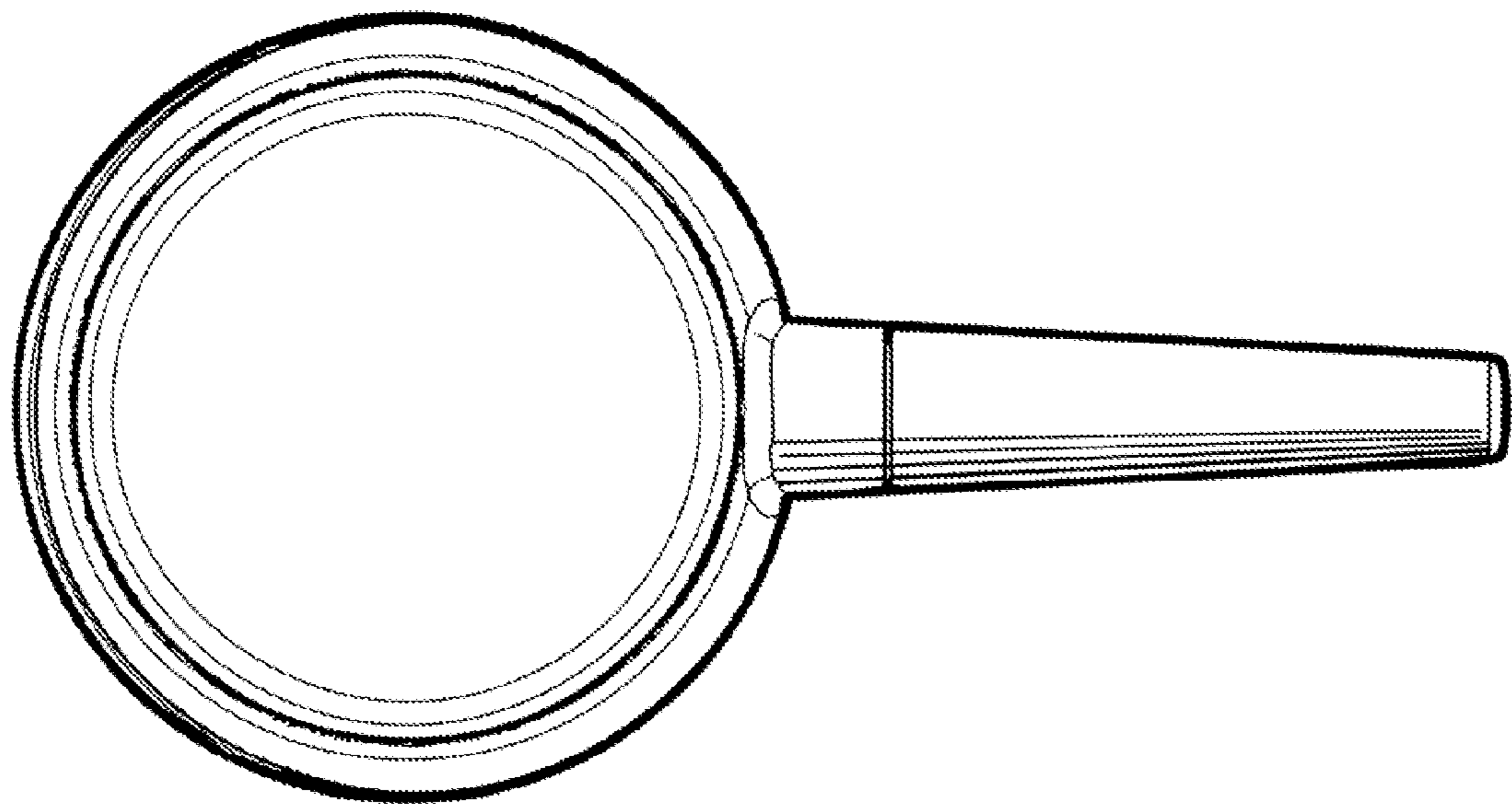


Fig. 5

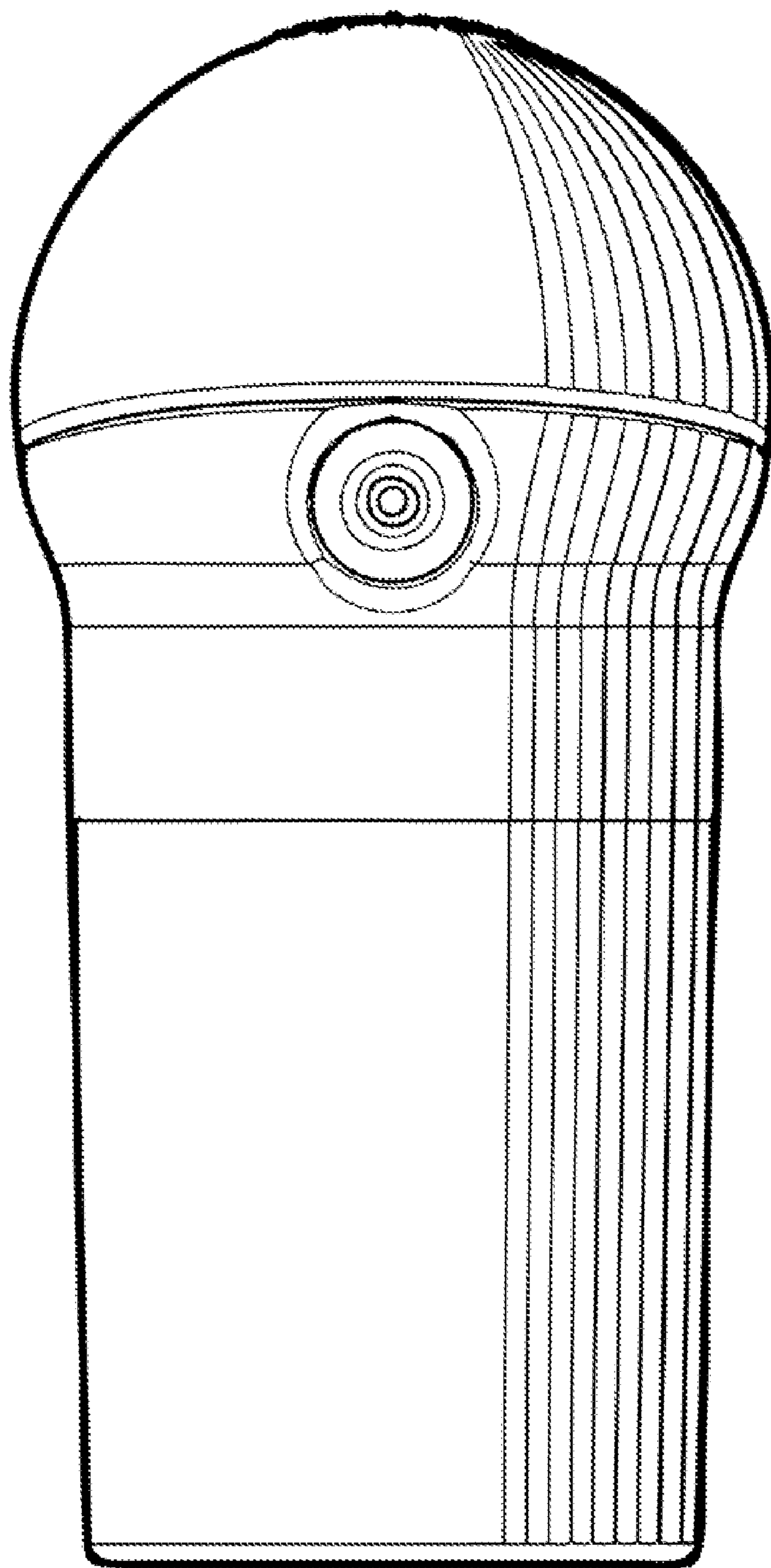


Fig. 6

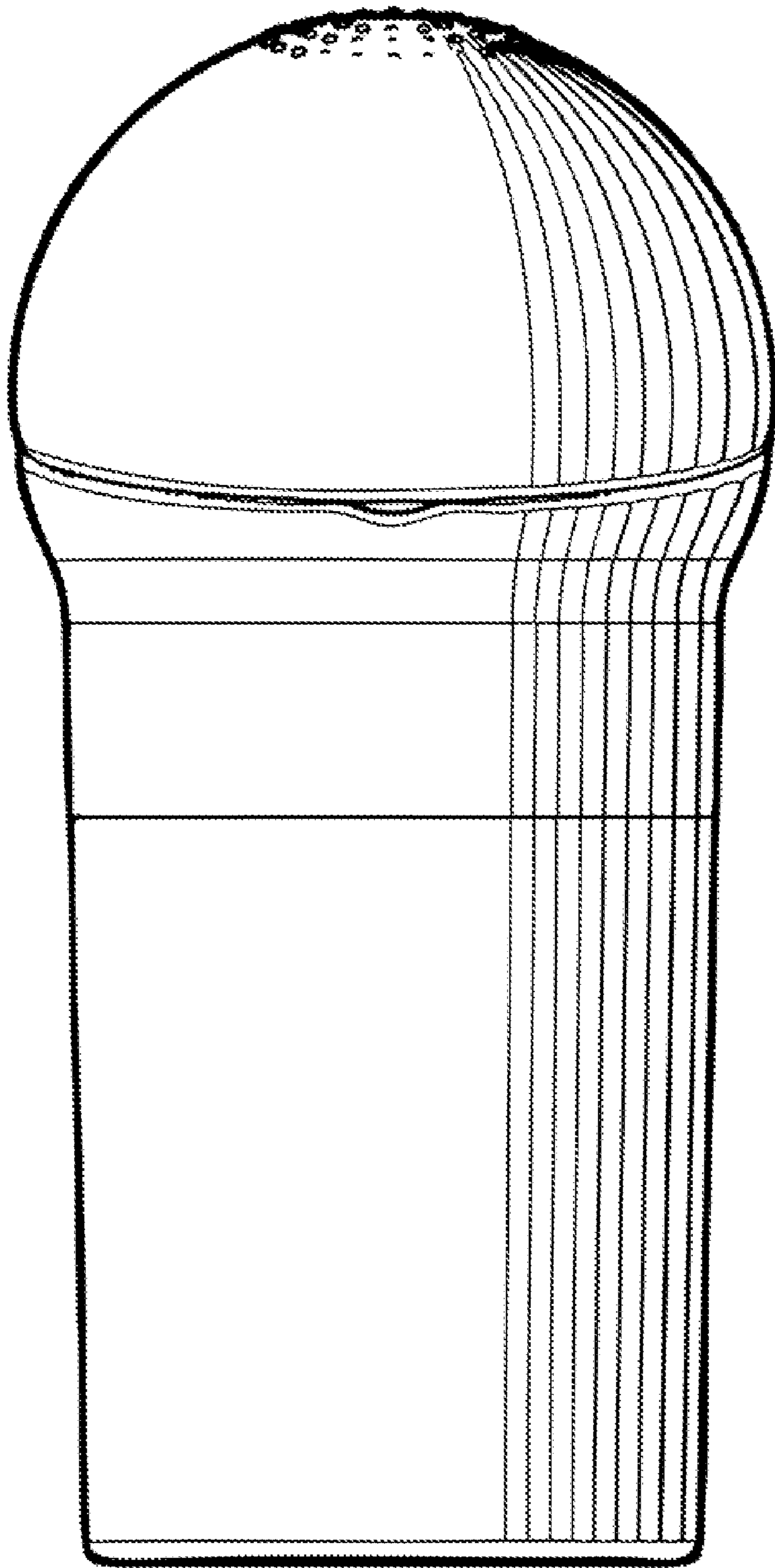


Fig. 7