



US00D599213S

(12) **United States Design Patent**
DeSico et al.

(10) **Patent No.:** **US D599,213 S**

(45) **Date of Patent:** **** Sep. 1, 2009**

(54) **PLASTIC CONTAINER**

(75) Inventors: **Anthony DeSico**, Rochester Hills, MI (US); **Jeffrey Kissinger**, Wadsworth, OH (US); **James C. Dorn**, Norton, OH (US); **Sarah Perez**, Cleveland Heights, OH (US); **Ryan Zamora**, Westland, MI (US)

(73) Assignee: **Plastipak Packaging, Inc.**, Plymouth, MI (US)

(**) Term: **14 Years**

(21) Appl. No.: **29/307,661**

(22) Filed: **May 2, 2008**

(51) **LOC (9) Cl.** **09-01**

(52) **U.S. Cl.** **D9/565; D9/566; D9/567; D9/575**

(58) **Field of Classification Search** D9/516, D9/522-523, 530, 538, 541-544, 546, 552-555, D9/560, 565-571, 574-575; 215/382-384
See application file for complete search history.

(56) **References Cited**

U.S. PATENT DOCUMENTS

D86,024 S *	1/1932	Holmes	D9/542
D93,799 S *	11/1934	Steelman	D9/543
D164,784 S *	10/1951	Lipton	D9/566 X
D213,423 S *	3/1969	Linn	D9/553 X
D215,143 S *	9/1969	Weckman	D9/553
D306,821 S *	3/1990	Viltart	D9/553 X
D307,393 S *	4/1990	Conrad	D9/566 X
D347,579 S *	6/1994	Hann et al.	D9/575 X
5,499,730 A *	3/1996	Harbour	215/382
D387,673 S *	12/1997	Crawford	D9/575
D409,497 S *	5/1999	Daraut	D9/553 X
D421,224 S *	2/2000	Piel	D9/553

D430,009 S *	8/2000	Lemke	D9/644
D455,657 S *	4/2002	Hopley et al.	D9/543
D514,947 S *	2/2006	Darr et al.	D9/553 X
7,032,770 B2 *	4/2006	Finlay et al.	220/669
D527,648 S *	9/2006	Darr et al.	D9/566
7,377,399 B2 *	5/2008	Lane et al.	215/383 X
D581,283 S *	11/2008	Lobo	D9/542
D584,960 S *	1/2009	Sherwood	D9/686
D587,126 S *	2/2009	DeSico et al.	D9/541

* cited by examiner

Primary Examiner—Carol Rademaker

(74) *Attorney, Agent, or Firm*—Dykema Gossett PLLC

(57) **CLAIM**

The ornamental design for a plastic container, as shown and described.

DESCRIPTION

FIG. 1 is a perspective view of the plastic container of the present invention showing the top, front and left side of our new design;

FIG. 2 is a perspective view thereof showing the top, rear and left side;

FIG. 3 is a front elevation view thereof;

FIG. 4 is a right side elevation view thereof;

FIG. 5 is a left side elevation view thereof;

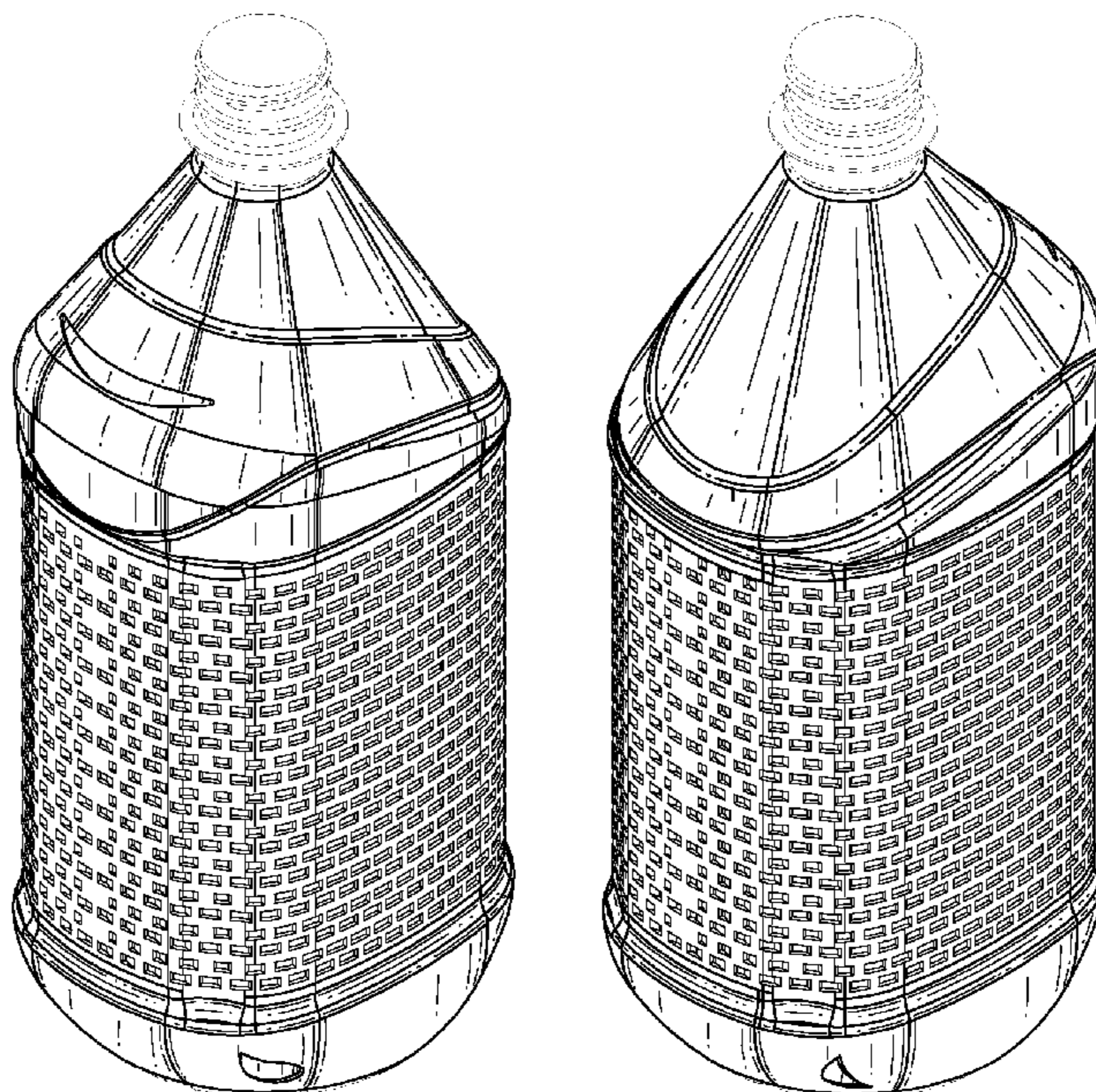
FIG. 6 is a rear elevation view thereof;

FIG. 7 is a bottom plan view thereof; and,

FIG. 8 is a top plan view thereof.

The broken lines shown in the drawing views are included for the purpose of showing environmental structure that forms no part of the claimed design.

1 Claim, 3 Drawing Sheets



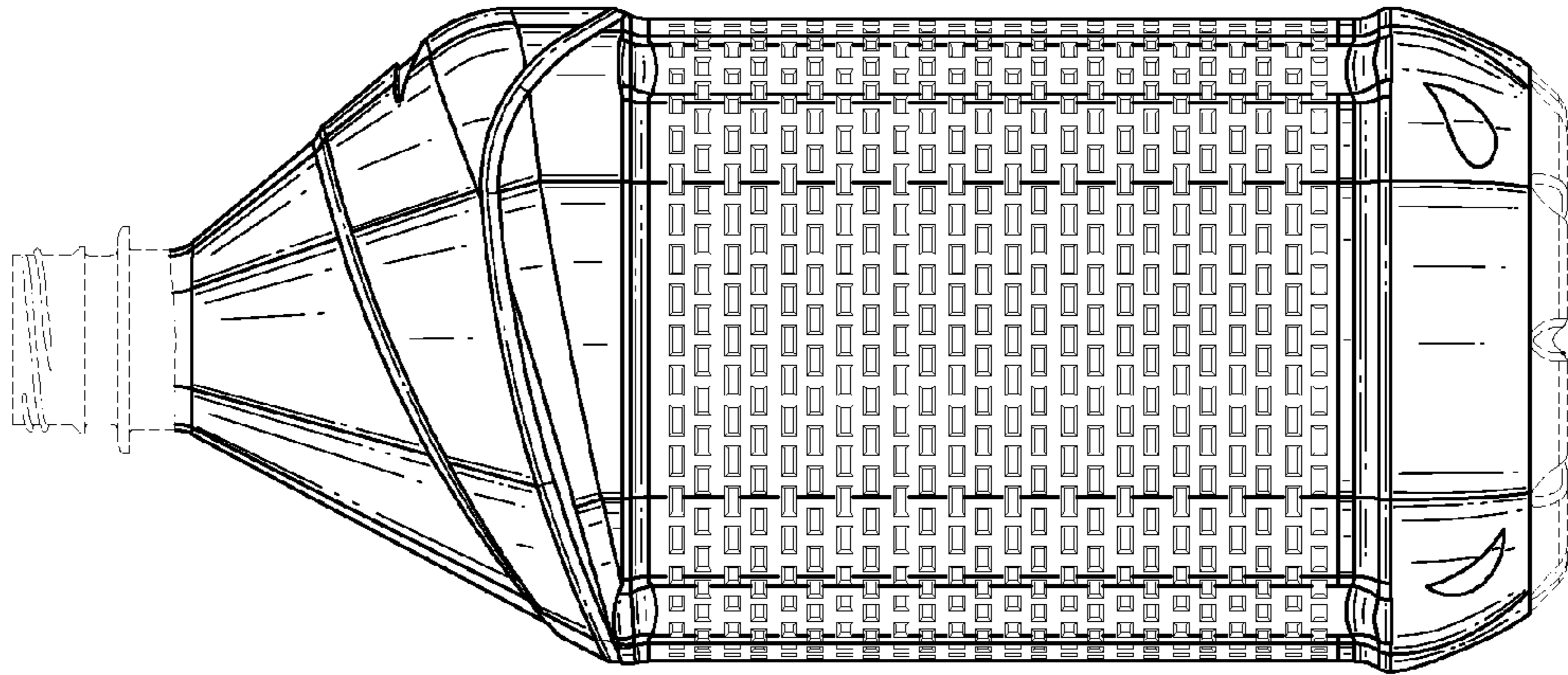


FIG. 3

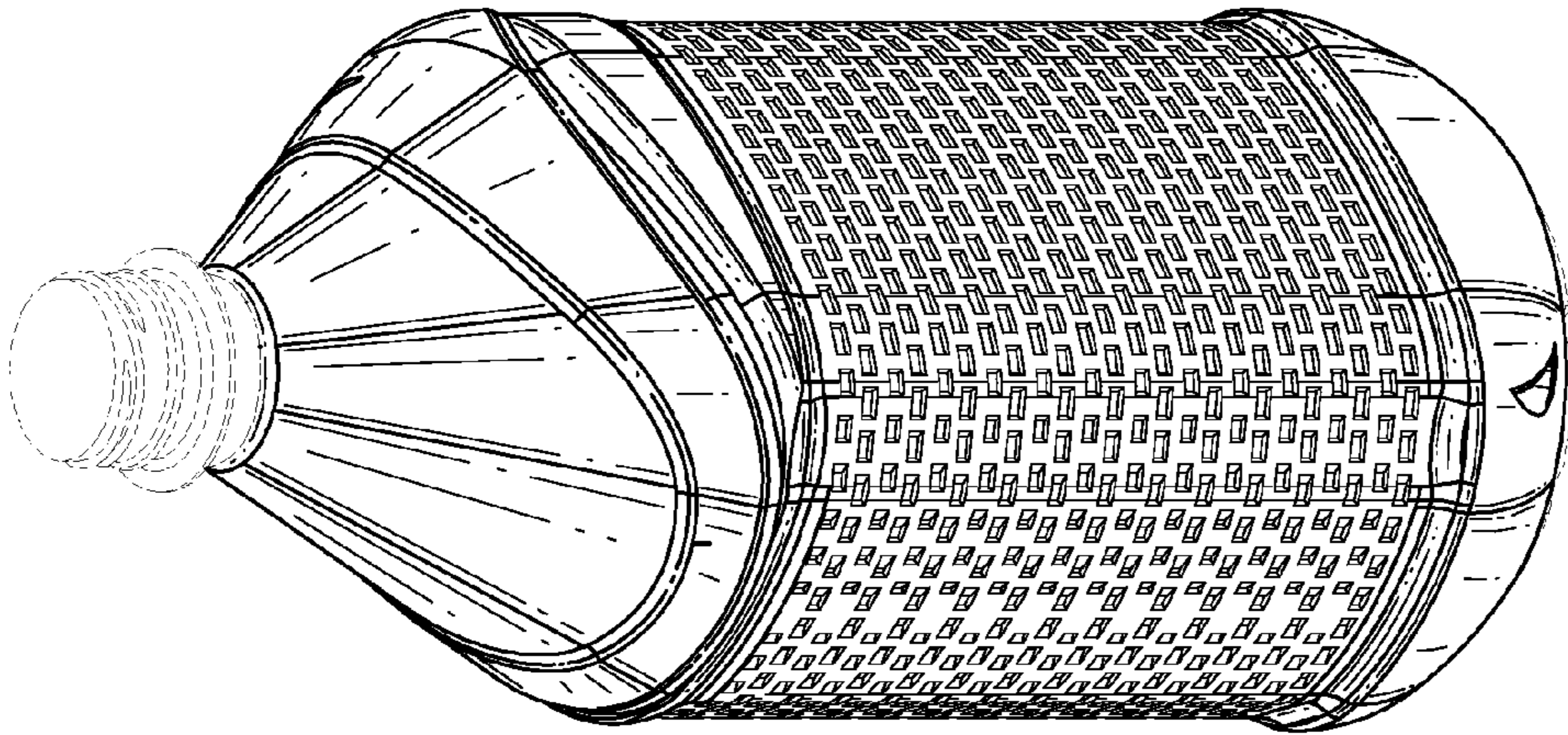


FIG. 2

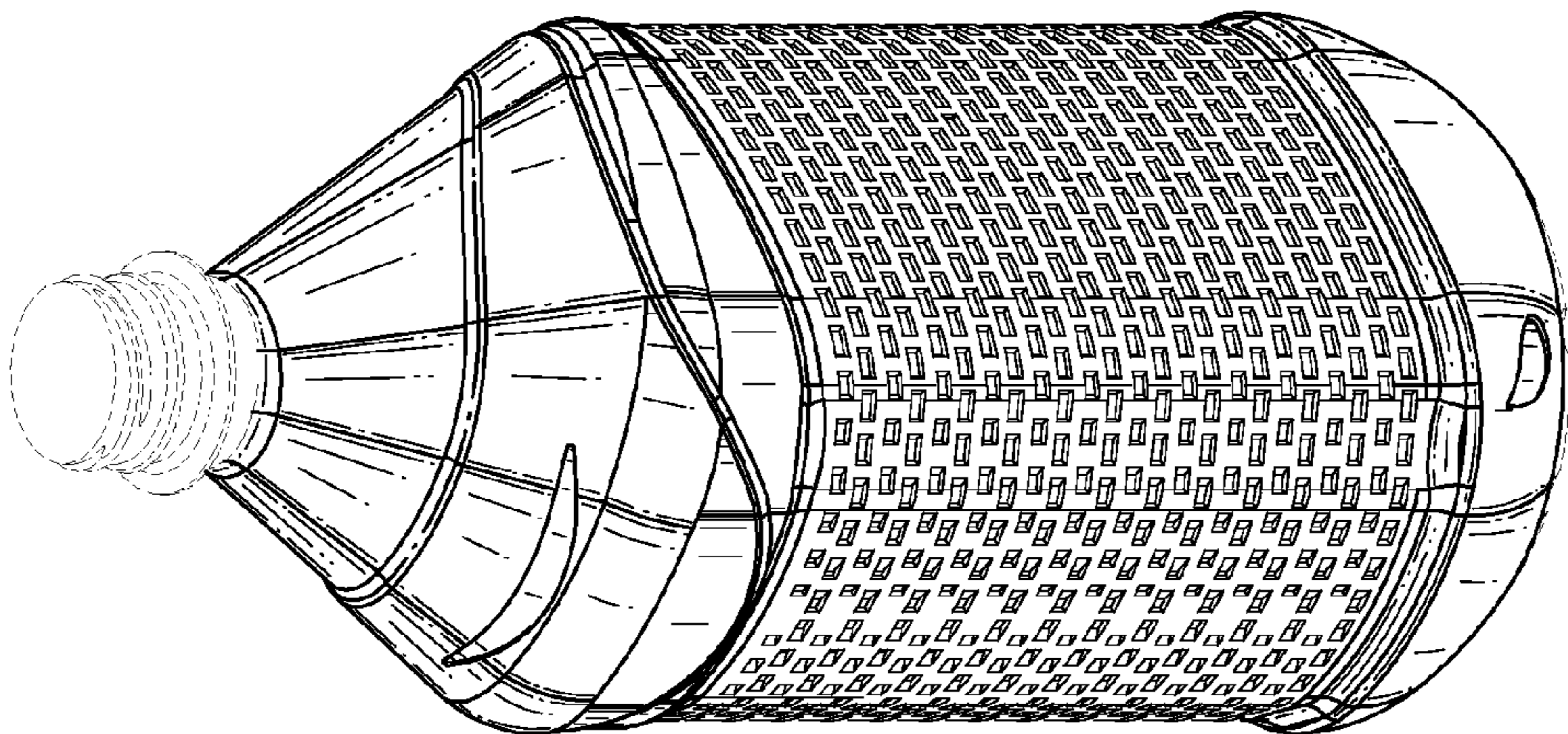


FIG. 1

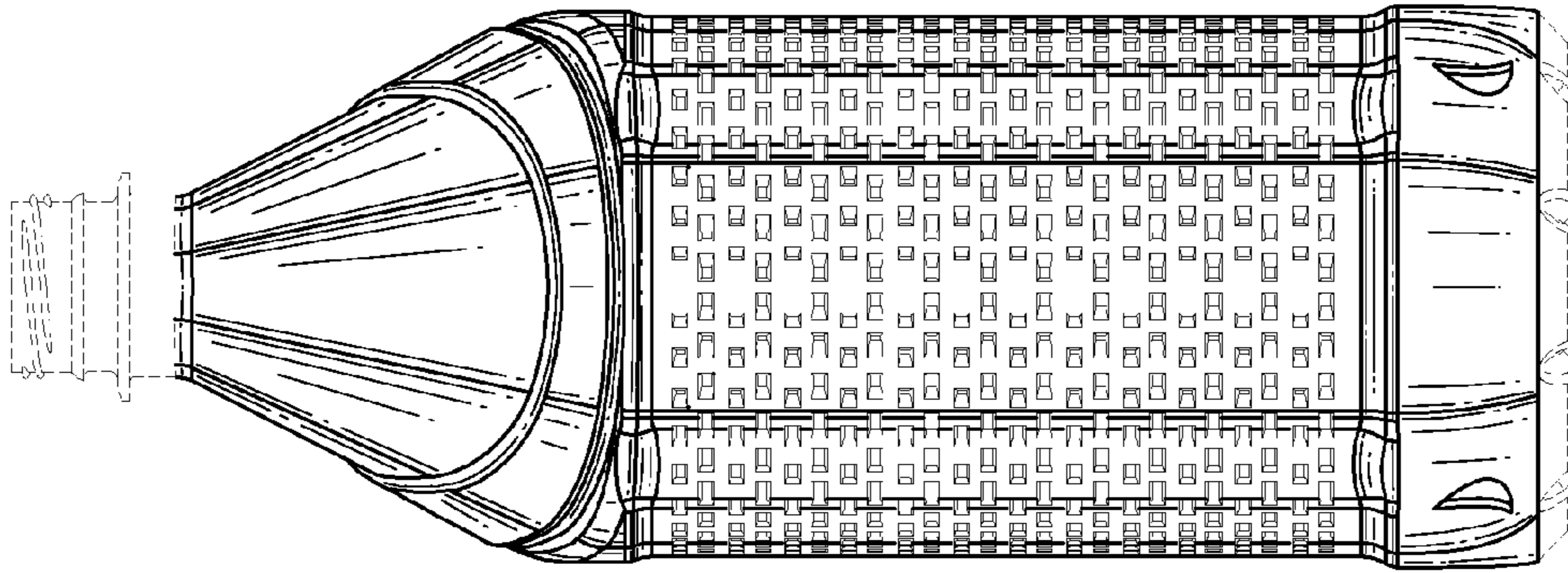


FIG. 6

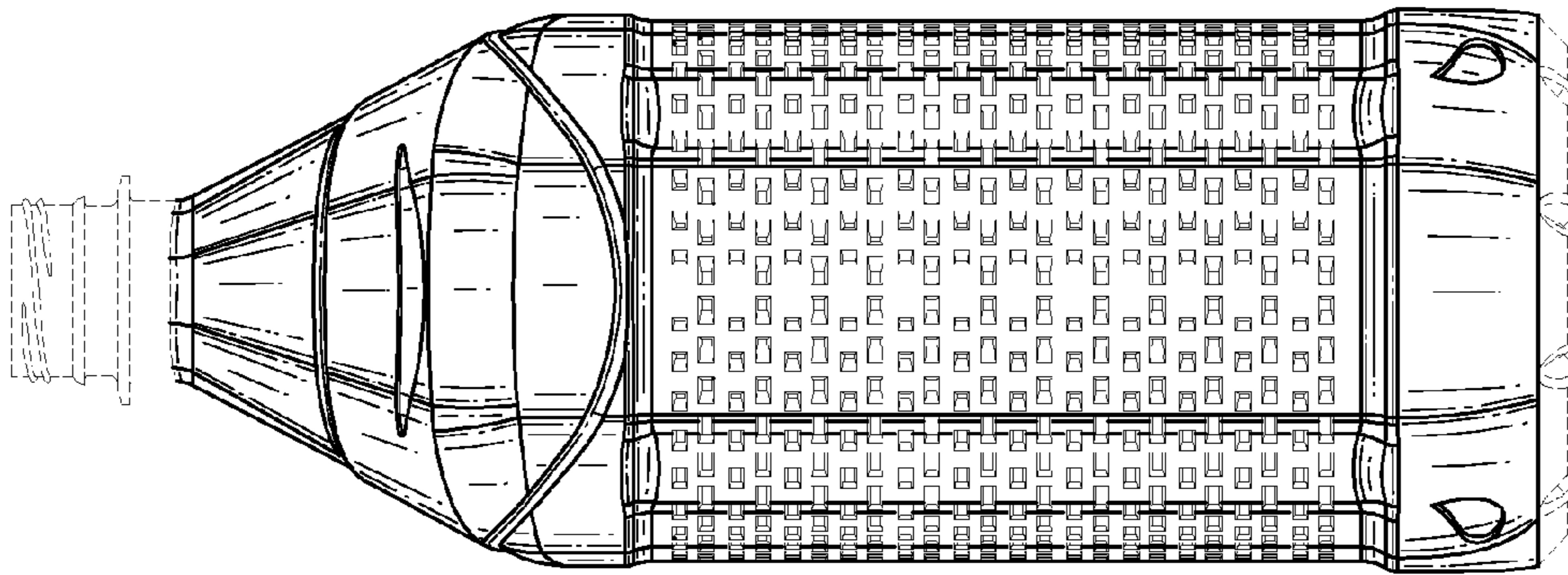


FIG. 5

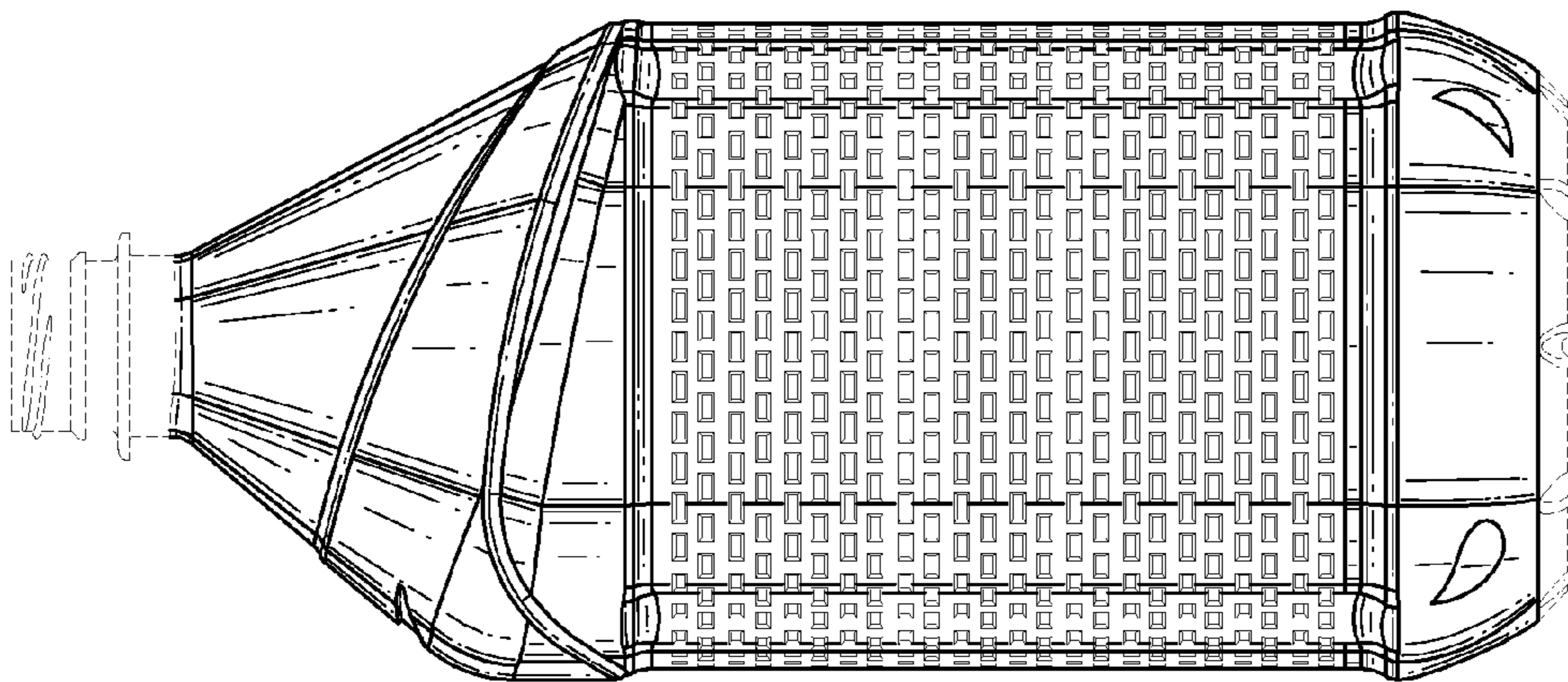


FIG. 4

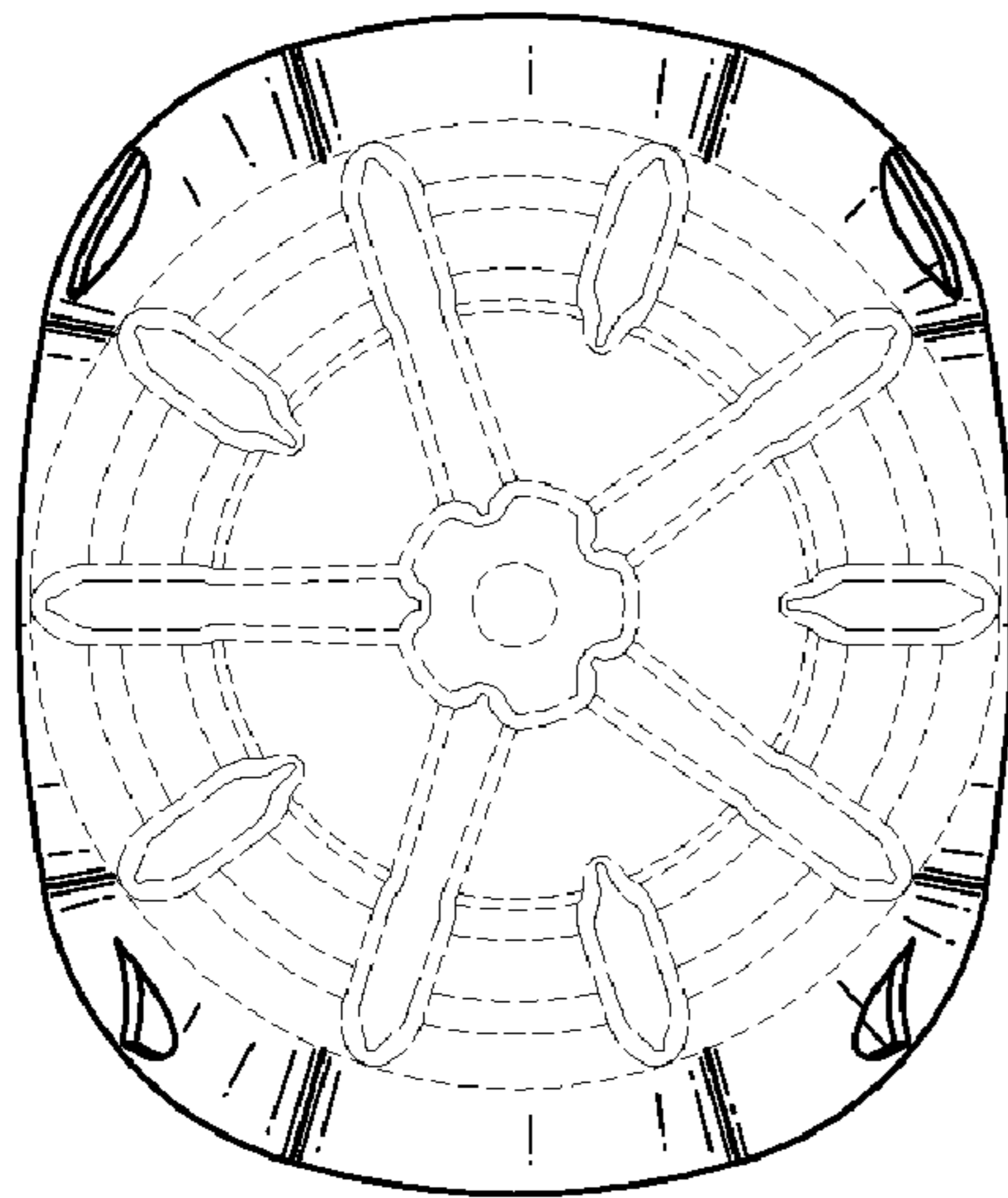


FIG. 7

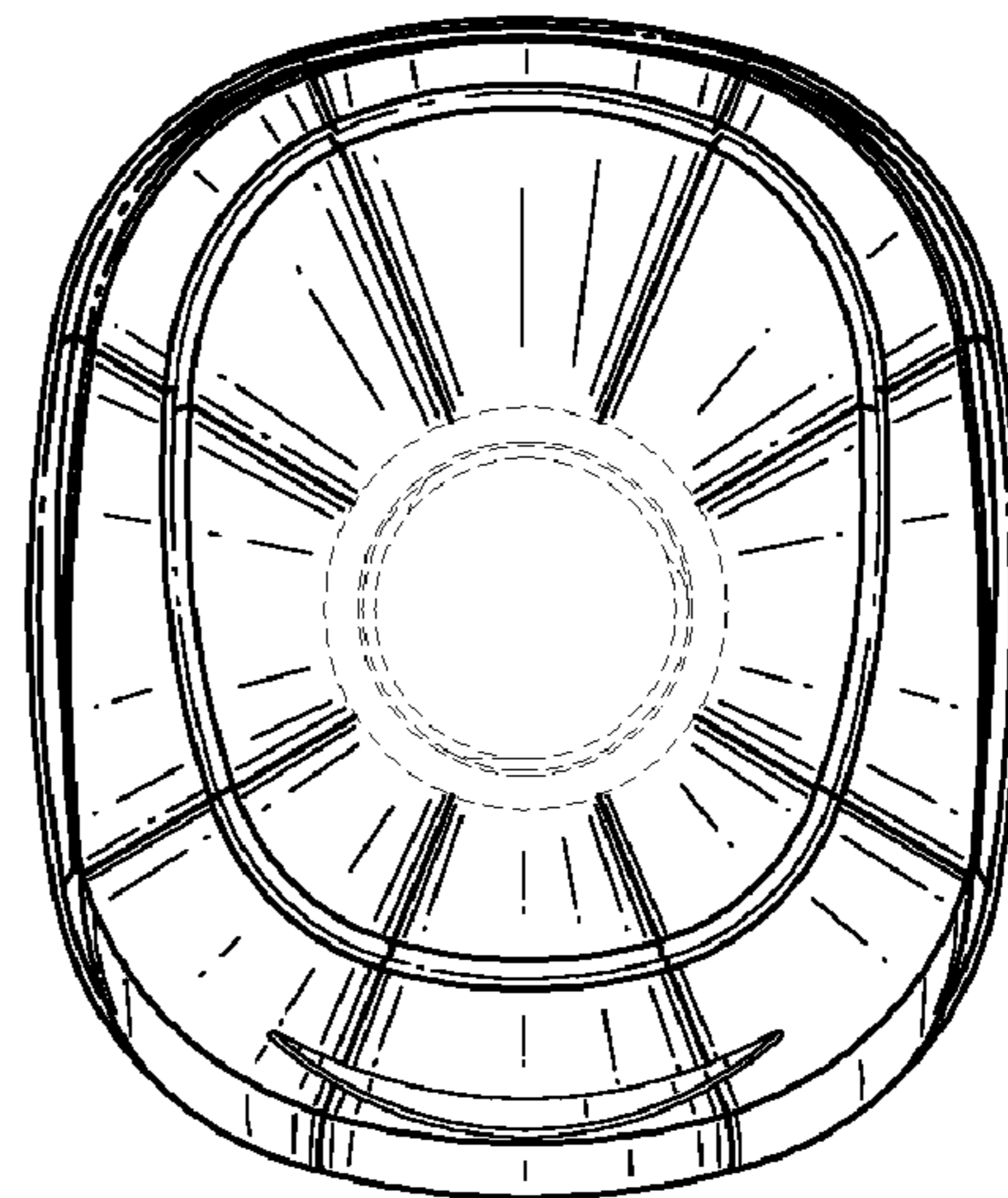


FIG. 8