



US00D599208S

(12) **United States Design Patent**  
**Kissinger et al.**

(10) **Patent No.:** **US D599,208 S**

(45) **Date of Patent:** **\*\* Sep. 1, 2009**

(54) **CONTAINER BASE**

(75) Inventors: **Jeffrey Kissinger**, Wadsworth, OH (US);  
**Sarah Perez**, Akron, OH (US); **Richard C. Darr**, Medina, OH (US)

(73) Assignee: **Plastipak Packaging, Inc.**, Plymouth, MI (US)

(\*\*) Term: **14 Years**

(21) Appl. No.: **29/338,229**

(22) Filed: **Jun. 8, 2009**

(51) **LOC (9) Cl.** ..... **09-01**

(52) **U.S. Cl.** ..... **D9/516; D9/520**

(58) **Field of Classification Search** ..... D9/500,  
D9/516, 520, 529, 544, 545, 549, 551, 558,  
D9/574; 215/381-385

See application file for complete search history.

(56) **References Cited**

**U.S. PATENT DOCUMENTS**

D110,624 S *	7/1938	Mekeel, Jr.	.....	D9/520
D225,835 S *	1/1973	Johnson et al.	.....	D9/520
D234,251 S *	2/1975	Edwards	.....	D9/500
D265,794 S *	8/1982	Helfrich	.....	D9/520
D288,293 S *	2/1987	Arvans	.....	D9/500
D451,808 S *	12/2001	Darr et al.	.....	D9/520
D454,498 S *	3/2002	Darr et al.	.....	D9/520
D459,658 S *	7/2002	Darr et al.	.....	D9/520
D461,413 S *	8/2002	Darr et al.	.....	D9/520

D481,937 S *	11/2003	McRae	.....	D9/623
D481,938 S *	11/2003	McRae	.....	D9/520
D491,800 S *	6/2004	Palomino, Jr.	.....	D9/520
D501,792 S *	2/2005	Priestman	.....	D9/500
D528,422 S *	9/2006	Darr et al.	.....	D9/516
D546,687 S *	7/2007	Boukobza	.....	D9/516
D547,186 S *	7/2007	Boukobza	.....	D9/516
D551,080 S *	9/2007	Pedmo et al.	.....	D9/516
D556,038 S *	11/2007	Chupak	.....	D9/500
D567,093 S *	4/2008	Chirico et al.	.....	D9/520
D581,803 S *	12/2008	Lepoitevin	.....	D9/556
D592,066 S *	5/2009	Bourne	.....	D9/538

\* cited by examiner

*Primary Examiner*—Stella M Reid

*Assistant Examiner*—Elizabeth J Oswecki

(74) *Attorney, Agent, or Firm*—Dykema Gossett PLLC

(57) **CLAIM**

The ornamental design for a container base; as shown and described.

**DESCRIPTION**

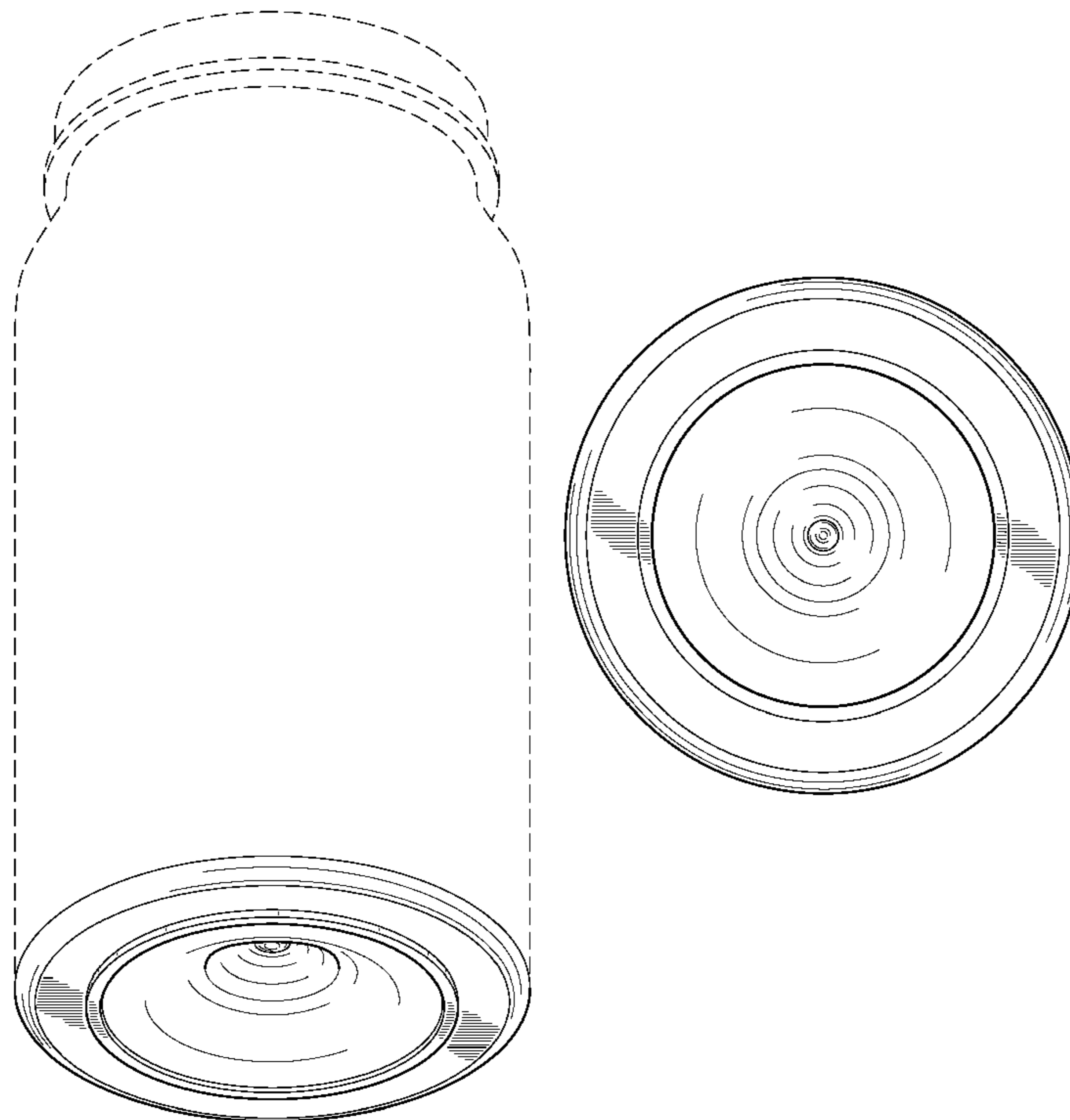
FIG. 1 is a bottom perspective view of a container base showing our new design;

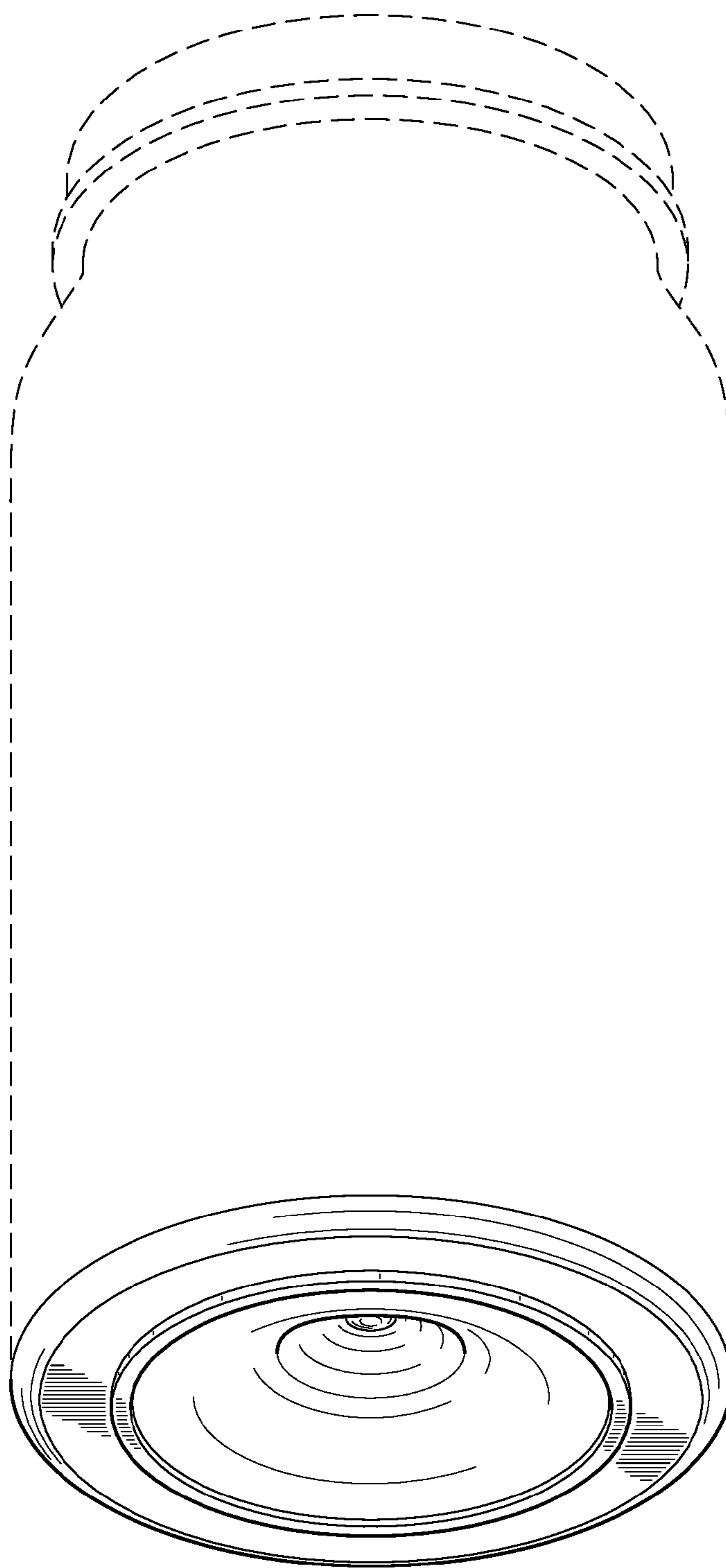
FIG. 2 is a bottom plan view thereof; and,

FIG. 3 is a side elevation view thereof.

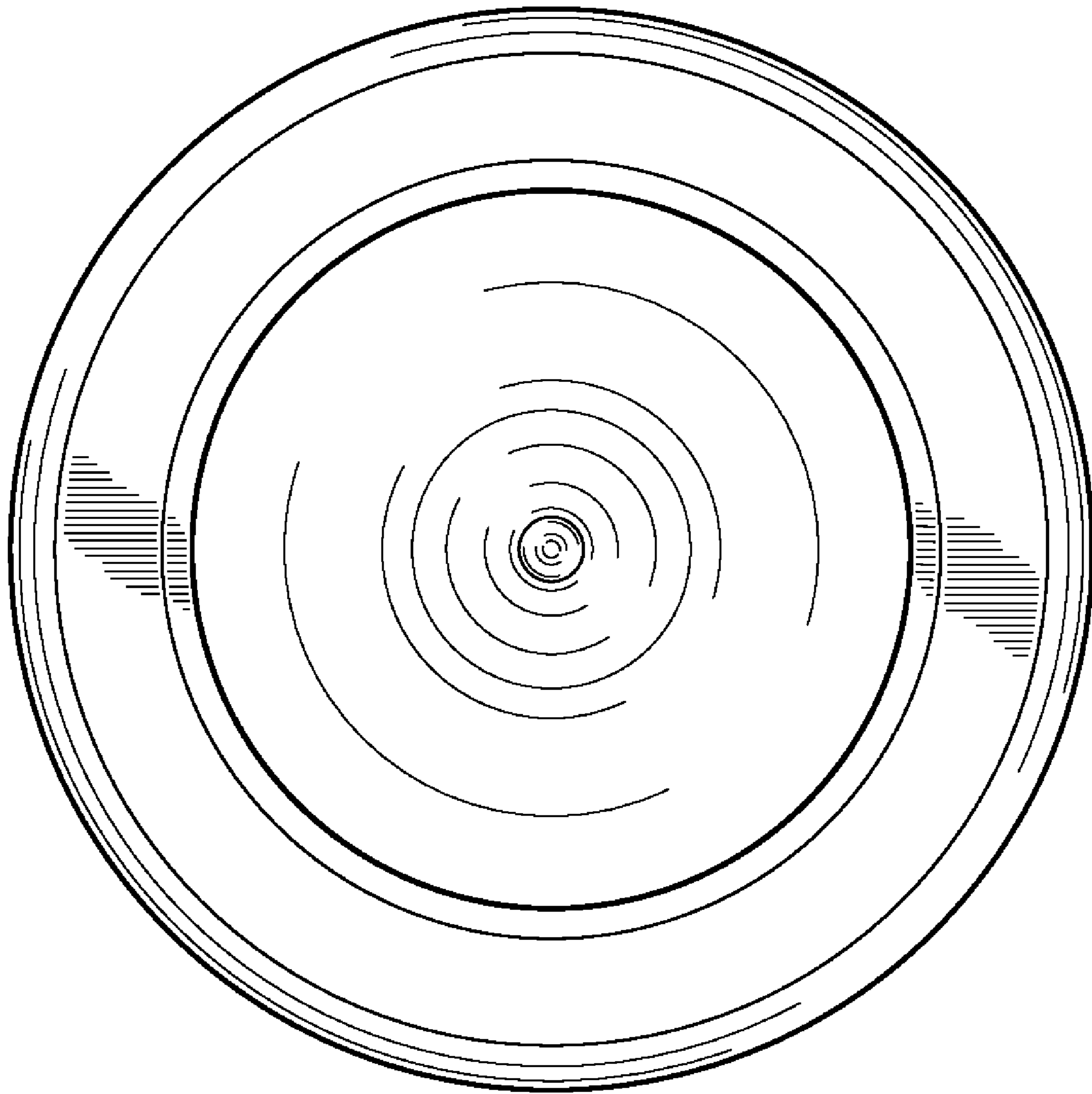
The broken lines showing of a bottle in FIGS. 1 and 3 are included for the purpose of illustrating environmental structure only and form no part of the claimed design.

**1 Claim, 3 Drawing Sheets**





*FIG. 1*



**FIG. 2**

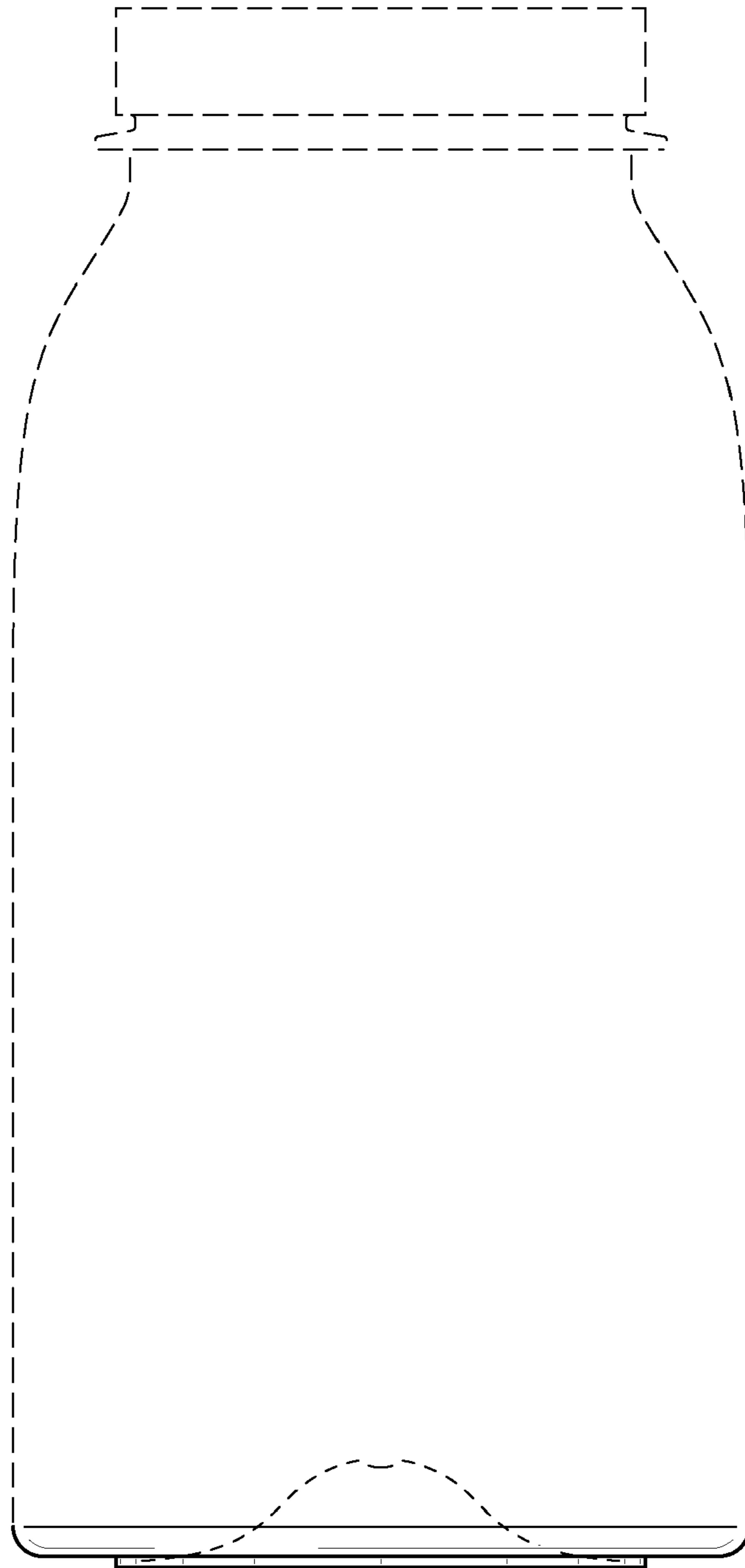


FIG. 3