



US00D599203S

(12) **United States Design Patent**
Wilson et al.

(10) **Patent No.:** **US D599,203 S**

(45) **Date of Patent:** **** Sep. 1, 2009**

(54) **TAMPER EVIDENT LID FOR CONTAINER WITH A LOCKING LID AND RIM**

(75) Inventors: **Tracie Lynn Wilson**, Westminster, MD (US); **Tom Coulter**, Baltimore, MD (US); **Steve Gift**, Litiz, PA (US); **Duane Sawyer**, York, PA (US)

(73) Assignee: **McCormick & Company, Incorporated**, Sparks, MD (US)

(**) Term: **14 Years**

(21) Appl. No.: **29/304,478**

(22) Filed: **Mar. 3, 2008**

(51) **LOC (9) Cl.** **09-07**

(52) **U.S. Cl.** **D9/449**

(58) **Field of Classification Search** D9/716, D9/715, 454, 453, 452, 450, 449, 447, 446, D9/443, 438, 436, 435, 434; D7/643, 638, D7/505, 396.2, 392, 392.1, 305; 426/120; 229/404, 401; 222/556, 480; 220/810, 713, 220/375, 254.1-254.9; 215/236, 235; 206/807
See application file for complete search history.

(56) **References Cited**

U.S. PATENT DOCUMENTS

611,410 A	9/1898	Holland
844,640 A	2/1907	West
961,991 A	6/1910	Ullrich
1,077,459 A	11/1913	Driscoll
1,134,427 A	4/1915	Ullrich
1,141,535 A	6/1915	Freundt
1,153,356 A	9/1915	Truesbury
1,184,549 A	5/1916	McClung
1,284,844 A	11/1918	Wetherbee
1,295,997 A	3/1919	Mennen
1,357,555 A	11/1920	Gueritey
1,464,457 A	8/1923	Wendel
1,599,329 A	9/1926	Hinds
1,658,348 A	2/1928	Michael
1,737,860 A	12/1929	Mills
1,767,781 A	6/1930	Aulbach et al.

1,803,799 A	5/1931	Gueritey
1,884,813 A	10/1932	Nicholls
1,890,194 A	12/1932	Punte
1,894,575 A	1/1933	Sherman
1,924,999 A	8/1933	Mills
1,959,874 A	5/1934	Mills
D96,342 S	7/1935	Schertz
2,010,464 A	8/1935	Punte
2,045,855 A	6/1936	Hovey
2,046,929 A	7/1936	Schmidt
2,092,138 A	9/1937	Punte

(Continued)

Primary Examiner—Susan Bennett Hattan

(74) *Attorney, Agent, or Firm*—Oblon, Spivak, McClelland, Maier & Neustadt, P.C.

(57) **CLAIM**

The ornamental design for a tamper evident lid for container with a locking lid and rim or the like, as shown and described.

DESCRIPTION

FIG. 1 is a top and right rear perspective view of a tamper evident lid for container with a locking lid and rim, showing our new design when in an open position;

FIG. 2 is a top plan view thereof;

FIG. 3 is a bottom plan view thereof;

FIG. 4 is a top and right front perspective view thereof shown when in a closed position;

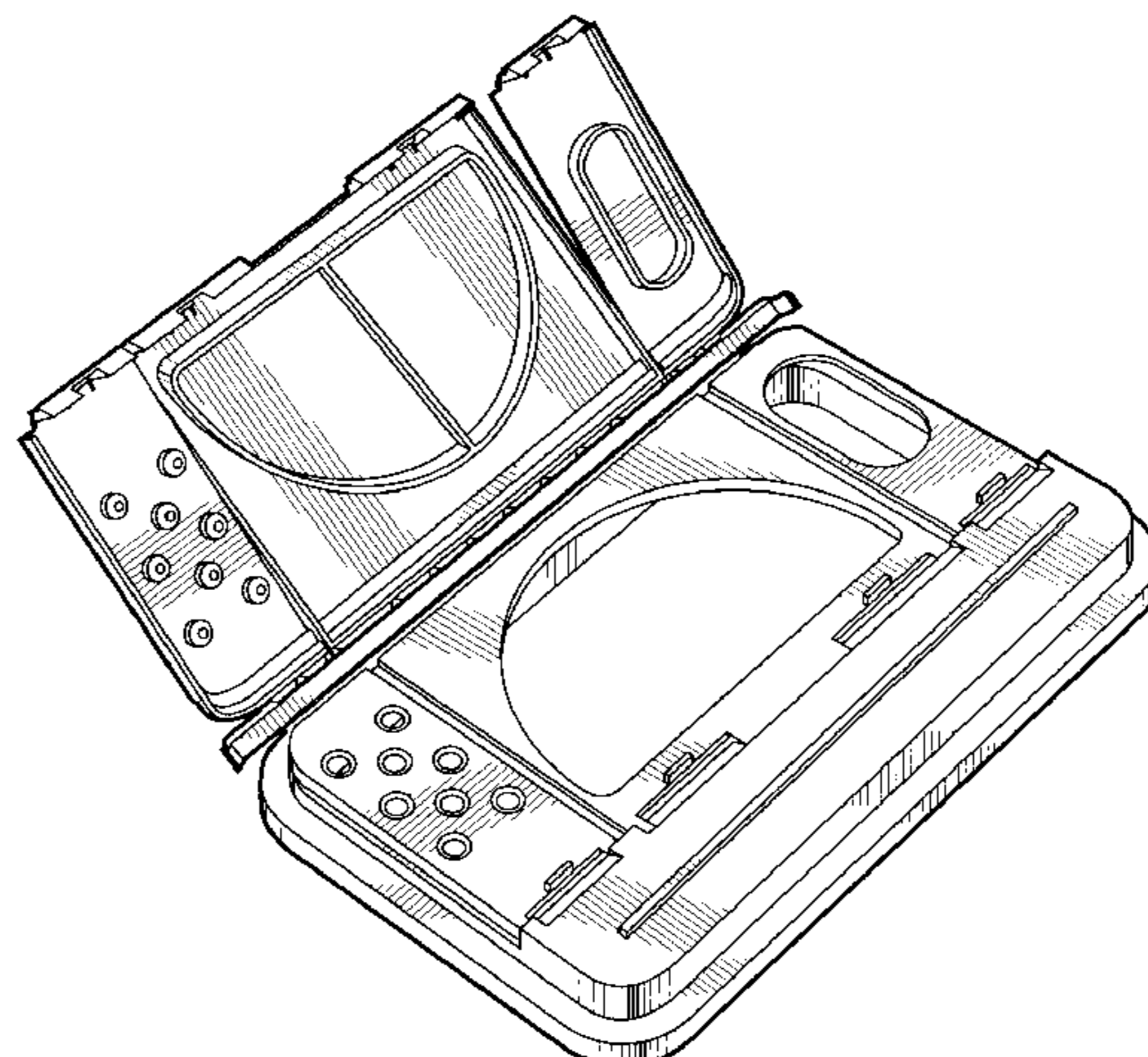
FIG. 5 is a right side elevational view thereof;

FIG. 6 is a front elevational view thereof; and,

FIG. 7 is a rear elevational view thereof.

The phantom line showing in the figures is for illustrative purposes only and forms no part of the claimed design.

1 Claim, 5 Drawing Sheets



US D599,203 S

Page 2

U.S. PATENT DOCUMENTS					
			4,592,480	A	6/1986 Hart et al.
			4,610,371	A	9/1986 Karkiewicz
			4,621,744	A	11/1986 Foster
			4,634,019	A	1/1987 Pherigo
			4,658,980	A	4/1987 Lindstrom
			D291,411	S	8/1987 Crawford
			4,693,399	A	9/1987 Hickman et al.
			4,723,693	A	2/1988 DeCoster
			4,724,977	A	2/1988 Cleevly et al.
			4,759,478	A	7/1988 Richardson et al.
			4,787,530	A	11/1988 Edwards
			4,790,448	A	12/1988 Ostrum et al.
			D301,549	S	6/1989 Foster
			4,883,193	A	11/1989 Christensson
			D305,206	S	12/1989 Hickman et al.
			D306,830	S	3/1990 DeCoster
			4,934,554	A	6/1990 Edwards
			4,934,557	A	6/1990 Smith
			4,940,191	A	7/1990 Dolby
			4,955,513	A	9/1990 Bennett
			D312,190	S	11/1990 Ciaccio
			4,976,369	A	12/1990 Shindo et al.
			5,002,197	A	3/1991 Ponsi
			D318,777	S	8/1991 Freese
			5,048,715	A	9/1991 Wolff
			5,052,572	A	10/1991 Pherigo
			5,085,331	A	2/1992 Groya et al.
			5,103,989	A	4/1992 Druesne et al.
			5,123,561	A	6/1992 Gross
			5,145,085	A	9/1992 Yost
			D330,165	S	10/1992 Brochu et al.
			5,195,645	A	3/1993 Schuermann
			D334,709	S	4/1993 Fleming et al.
			5,211,301	A	5/1993 Groya et al.
			5,219,087	A	6/1993 Christensson
			5,219,100	A	6/1993 Beck et al.
			D339,065	S	9/1993 Forsyth et al.
			D340,187	S	10/1993 Forsyth
			5,301,827	A	4/1994 Valyi
			5,303,839	A	4/1994 Blumenschein
			5,307,948	A	5/1994 Blackburn et al.
			D349,650	S	8/1994 Lonczak et al.
			5,339,993	A	8/1994 Groya et al.
			D352,899	S	11/1994 Molo
			D353,094	S	12/1994 Labrie
			D362,595	S	9/1995 Schneider
			5,457,843	A	10/1995 Gelardi et al.
			5,465,871	A	11/1995 Robbins, III
			5,482,172	A	1/1996 Braddock
			5,552,575	A	9/1996 Doumanidis
			5,579,932	A	12/1996 Drozd et al.
			5,636,732	A	6/1997 Gilels et al.
			5,657,894	A	8/1997 Bowen
			D385,791	S	11/1997 Forsyth et al.
			D386,001	S	11/1997 Saffran
			5,695,097	A	12/1997 Röllinghoff
			5,730,785	A	3/1998 Idol et al.
			D397,035	S	8/1998 Young et al.
			5,810,188	A	9/1998 Novakoski et al.
			5,897,036	A	4/1999 DeCoster et al.
			D410,388	S	6/1999 Fisher et al.
			5,975,368	A	11/1999 Wood
			6,068,153	A	5/2000 Young et al.
			6,196,412	B1	3/2001 Cattell
			D442,086	S	5/2001 Mozes
			D446,722	S	8/2001 Morrow
			D448,295	S	9/2001 Mozes
			D448,296	S	9/2001 Bried et al.
			D448,668	S	10/2001 Baerenwald et al.
			6,299,033	B1	10/2001 VerWeyst et al.
			D450,584	S	11/2001 Schmit et al.
			D450,586	S	11/2001 Kick
			6,341,720	B1	1/2002 Schmit et al.
2,108,045	A	2/1938 Dirker			
2,125,497	A	8/1938 Frank			
2,141,351	A	12/1938 Forsberg et al.			
2,141,352	A	12/1938 Forsberg et al.			
2,162,999	A	6/1939 Frank			
2,167,574	A	7/1939 Jones			
2,178,620	A	11/1939 White			
2,183,585	A	12/1939 Peters			
2,190,676	A	2/1940 Perry			
2,226,899	A	12/1940 Conway, Jr.			
2,235,987	A	5/1941 Frank			
2,241,435	A	5/1941 White			
2,254,581	A	9/1941 Punte			
2,273,998	A	2/1942 Rueger			
2,273,999	A	2/1942 Rueger			
2,283,245	A	5/1942 White			
2,287,747	A	6/1942 Pardee			
2,310,271	A	2/1943 Ziehmer, Jr.			
2,324,499	A	7/1943 Erb			
2,327,406	A	8/1943 Dukehart, Jr.			
2,346,847	A	4/1944 Larson			
2,355,062	A	8/1944 Erb et al.			
2,361,958	A	11/1944 Nyden			
D146,979	S	6/1947 Mangini			
2,563,865	A	8/1951 Pottle			
2,695,738	A	11/1954 Gordon			
2,815,893	A	12/1957 Frank			
2,878,971	A	3/1959 Malachick			
2,957,612	A	10/1960 Westgate			
2,961,133	A	11/1960 Ankney			
3,127,052	A	3/1964 Mayers			
3,129,860	A	4/1964 Foster			
3,140,019	A	7/1964 Barr			
3,140,804	A	7/1964 Frank			
3,143,256	A	8/1964 Lazure et al.			
3,155,285	A	11/1964 Van Baarn			
D200,270	S	2/1965 Waterman			
3,169,671	A	2/1965 Taylor			
3,187,964	A	6/1965 Foster			
3,217,949	A	11/1965 Davis			
D204,509	S	4/1966 Waterman			
3,251,509	A	5/1966 Foster			
3,255,928	A	6/1966 Foster			
3,262,606	A	7/1966 Waterman			
3,322,308	A	5/1967 Foster			
3,370,757	A	2/1968 Foster			
3,397,823	A *	8/1968 Kirkpatrick 222/480			
3,469,732	A	9/1969 Foster			
3,542,235	A	11/1970 Hidding			
3,589,572	A	6/1971 Hannon			
3,695,481	A	10/1972 Foster et al.			
3,737,066	A	6/1973 Ames			
3,759,428	A	9/1973 Heter, Jr.			
3,773,232	A	11/1973 Hidding			
3,817,420	A	6/1974 Heisler			
3,872,996	A	3/1975 Dogliotti			
3,907,156	A	9/1975 Weatherhead, III			
4,144,985	A	3/1979 Kinslow			
4,177,932	A	12/1979 Cleevly			
4,253,587	A	3/1981 Otterson			
4,280,636	A	7/1981 Lewis			
4,349,174	A	9/1982 Obrist et al.			
4,359,171	A	11/1982 Lewis			
4,361,250	A	11/1982 Foster			
4,369,901	A	1/1983 Hidding			
4,463,869	A	8/1984 Lewis			
4,471,881	A	9/1984 Foster			
4,491,252	A	1/1985 Schmidt et al.			
4,494,679	A	1/1985 Cleevly			
4,538,731	A	9/1985 Cillario			
4,558,806	A	12/1985 Shabram, Sr. et al.			

US D599,203 S

Page 3

6,355,286 B2	3/2002	Deering et al.	6,988,642 B2	1/2006	Gallo, Jr. et al.
D456,713 S	5/2002	Bried et al.	7,021,482 B2	4/2006	Solowiejko
6,422,411 B1	7/2002	Gray	7,063,230 B2	6/2006	Cicccone
D462,613 S	9/2002	Bried et al.	7,073,680 B2	7/2006	Boback et al.
6,450,393 B1	9/2002	Doumanidis et al.	7,078,228 B2	7/2006	Lacey et al.
D464,567 S	10/2002	Baerenwald et al.	7,114,627 B2	10/2006	Solowiejko
D464,886 S	10/2002	Bried et al.	7,118,003 B2	10/2006	Sellari et al.
D465,732 S	11/2002	Kick	7,134,567 B2	11/2006	Luburic
D466,012 S	11/2002	Baker	D538,664 S	3/2007	Solowiejko
6,484,929 B2	11/2002	Sumpmann et al.	D539,647 S	4/2007	Solowiejko
D466,408 S	12/2002	Baerenwald et al.	7,207,457 B2	4/2007	Schwarz
D467,801 S	12/2002	Baerenwald et al.	7,258,255 B2	8/2007	Vogel et al.
D470,765 S	2/2003	Baker	7,261,217 B2	8/2007	Solowiejko
D473,792 S	4/2003	Diefenbach	D567,582 S *	4/2008	Blum et al. D7/401.1
D474,402 S	5/2003	Baerenwald	2001/0035424 A1	11/2001	Combe et al.
6,561,391 B1	5/2003	Baker	2002/0084317 A1	7/2002	Stewart et al.
6,575,323 B1	6/2003	Martin et al.	2006/0144874 A1	7/2006	Solowiejko
6,604,645 B1	8/2003	Vaupotic	2006/0175334 A1	8/2006	Schwarz
D494,469 S	8/2004	Solowiejko	2006/0243735 A1	11/2006	Kline et al.
D495,256 S	8/2004	Solowiejko	2006/0289541 A1	12/2006	Boback et al.
D497,106 S *	10/2004	Solowiejko et al. D9/782	2007/0000887 A1	1/2007	Caldwell et al.
6,821,239 B2	11/2004	Hierzer et al.	2007/0000953 A1	1/2007	Ranney
6,877,631 B1	4/2005	Thompson et al.	2007/0056972 A1	3/2007	Solowiejko
6,899,245 B1	5/2005	Nelson	2007/0131639 A1	6/2007	Nakaya et al.
6,926,165 B2	8/2005	Conti			

* cited by examiner

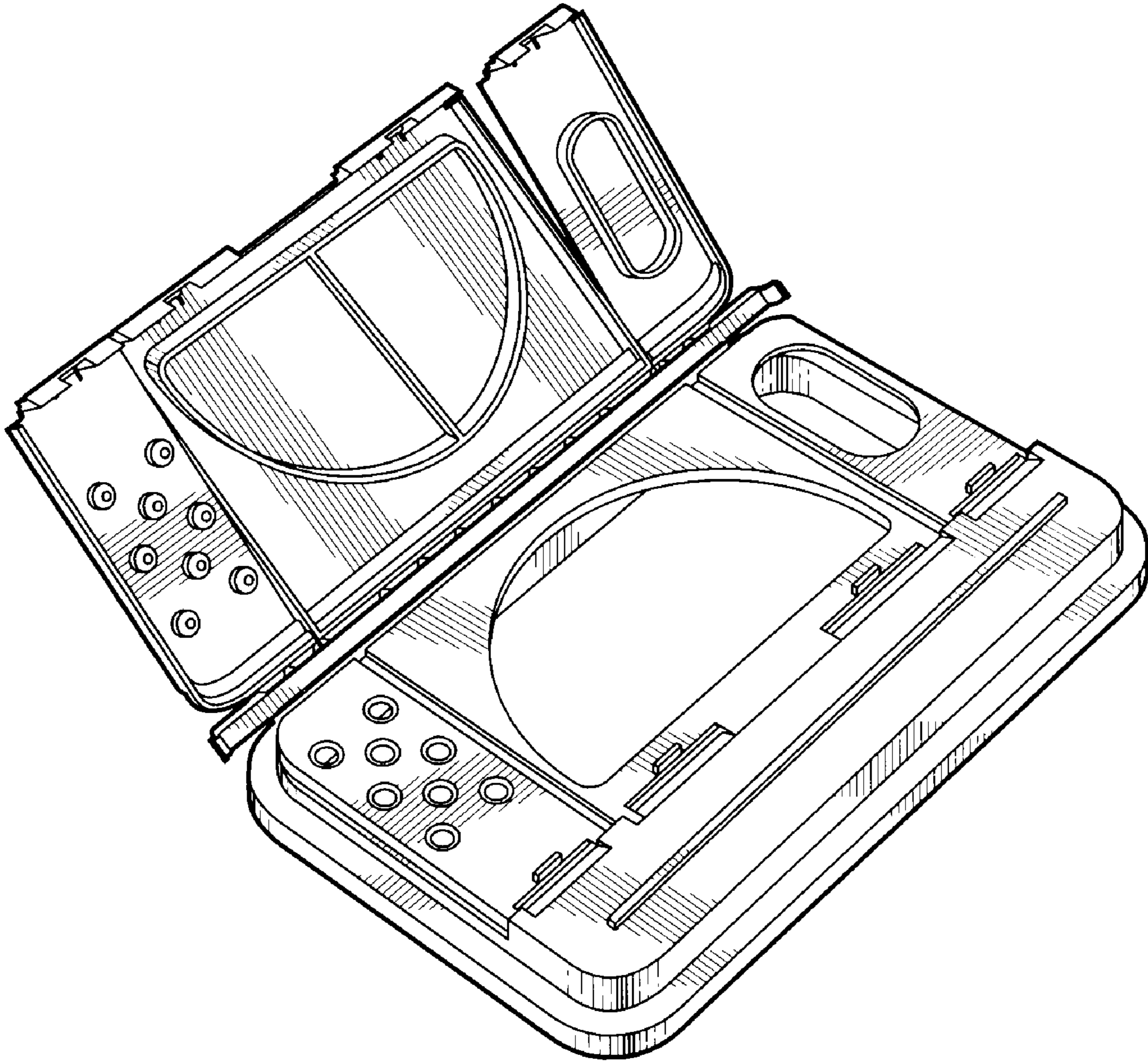


Fig. 1

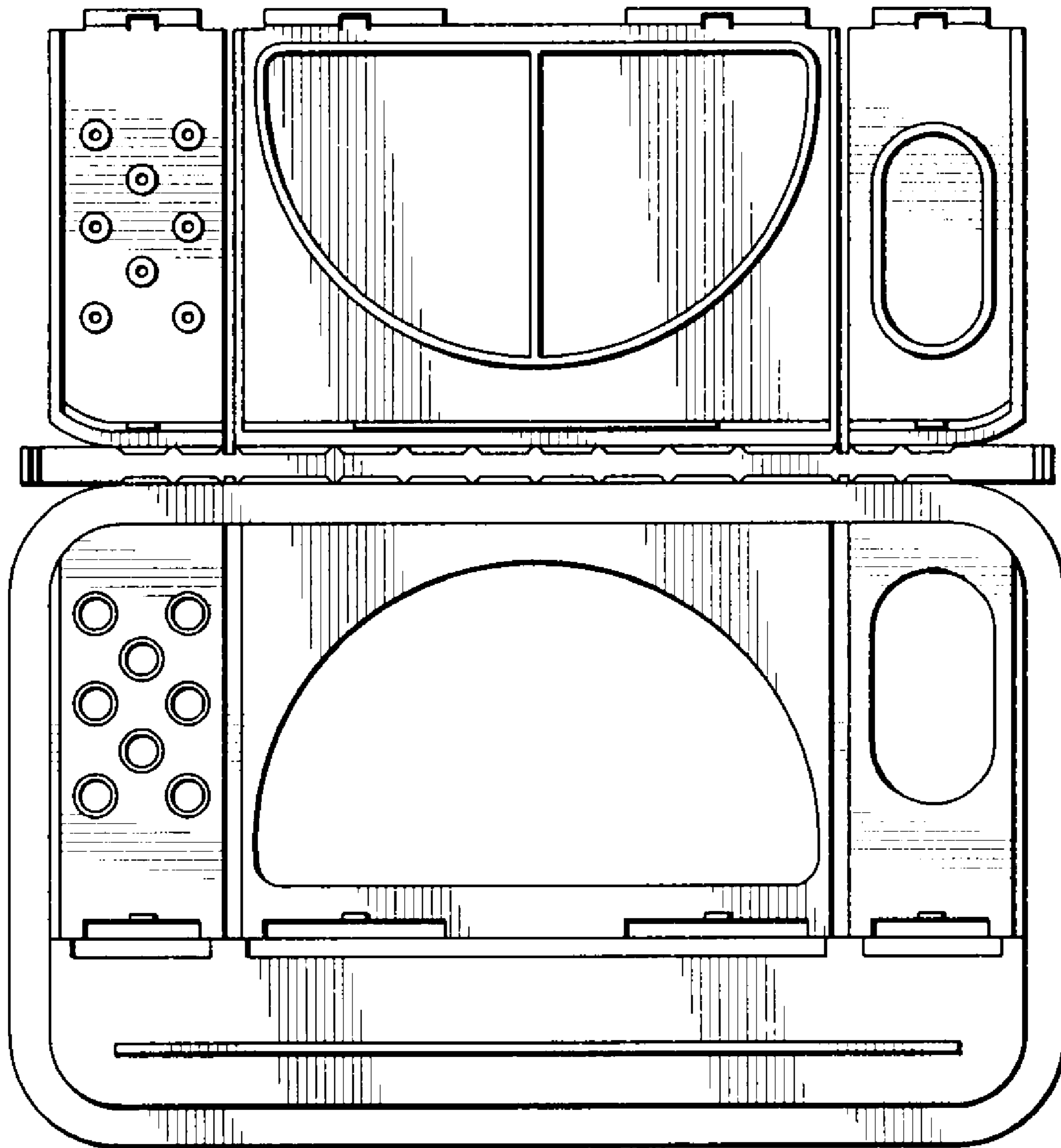


Fig. 2

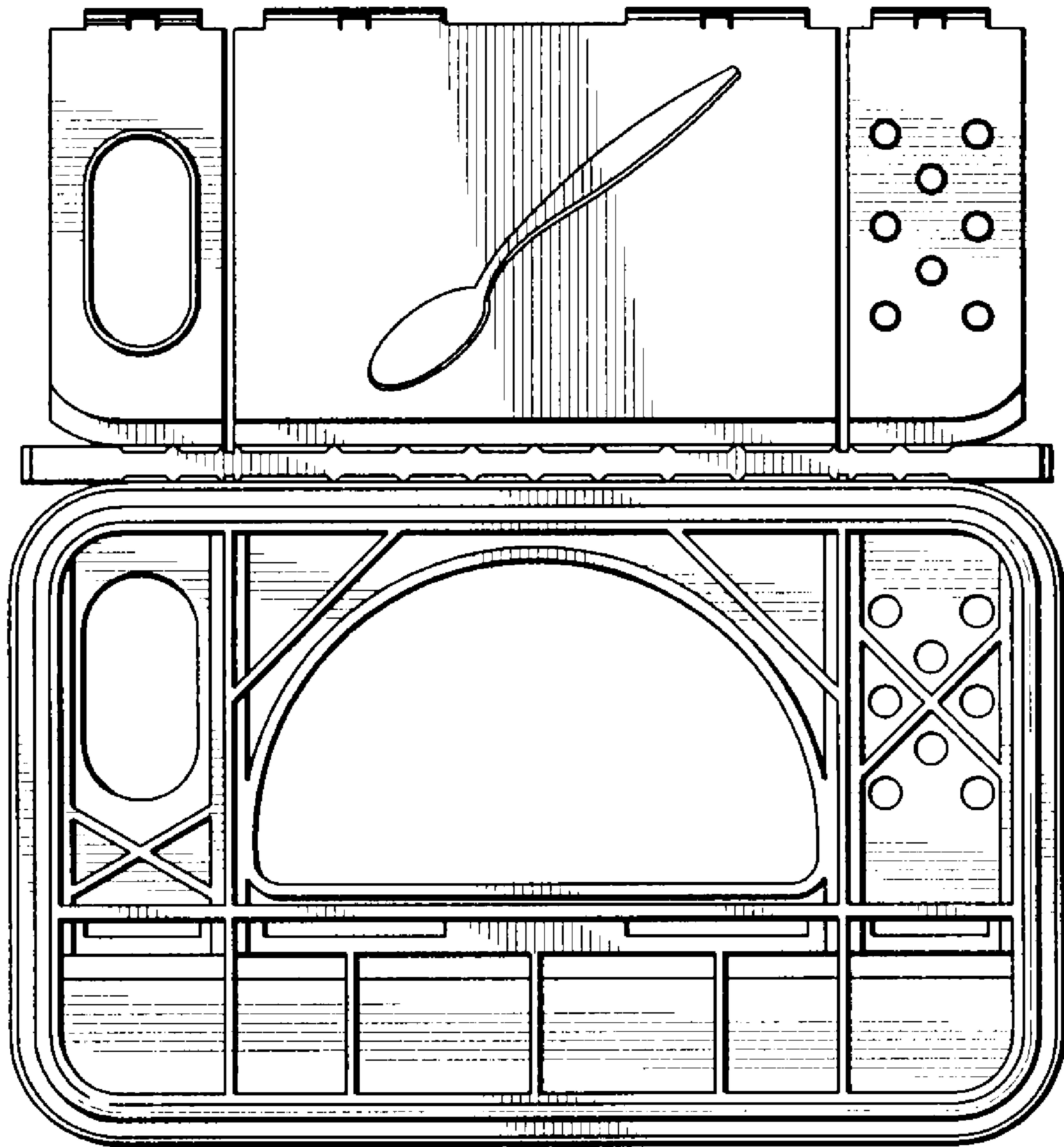


Fig. 3

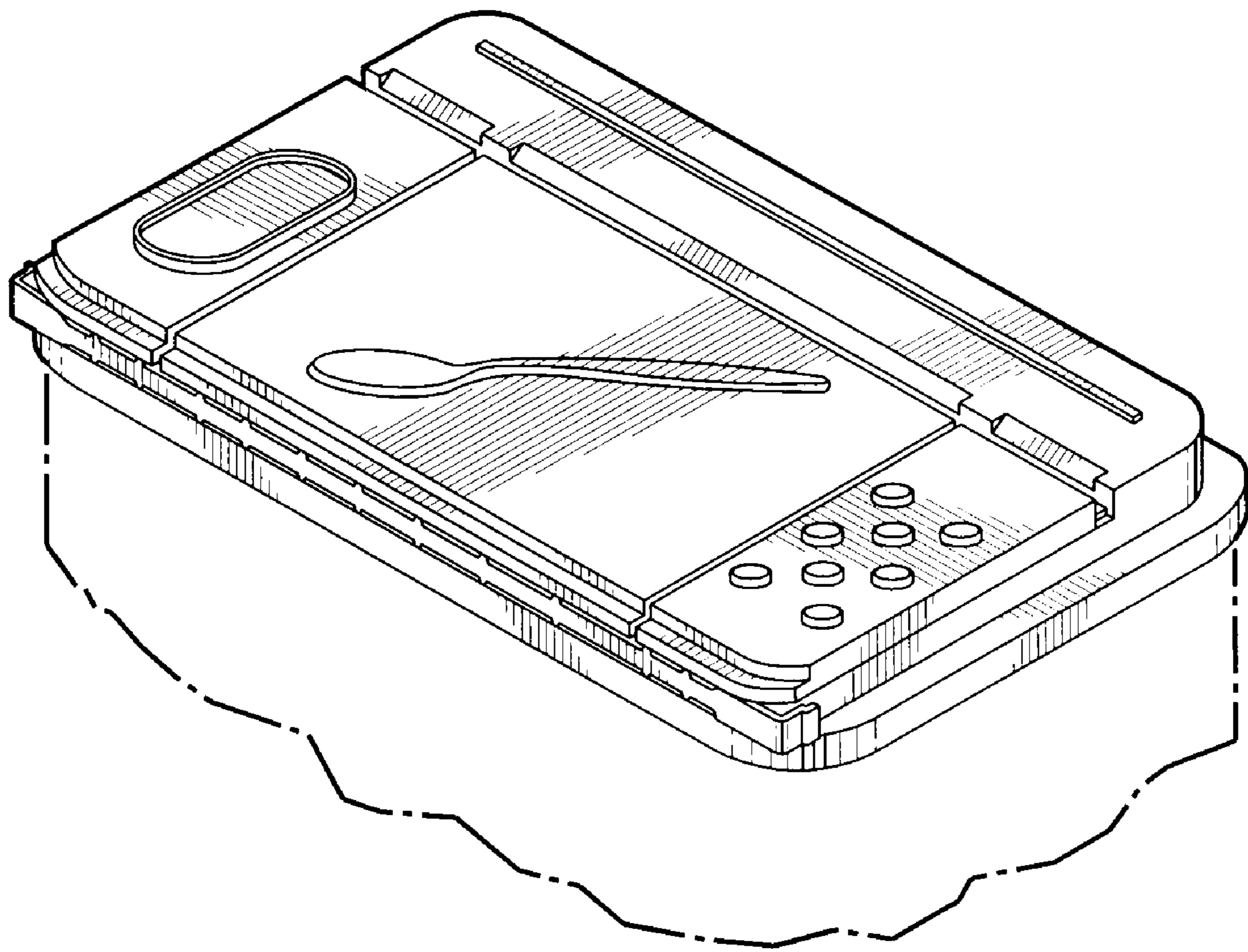


Fig. 4

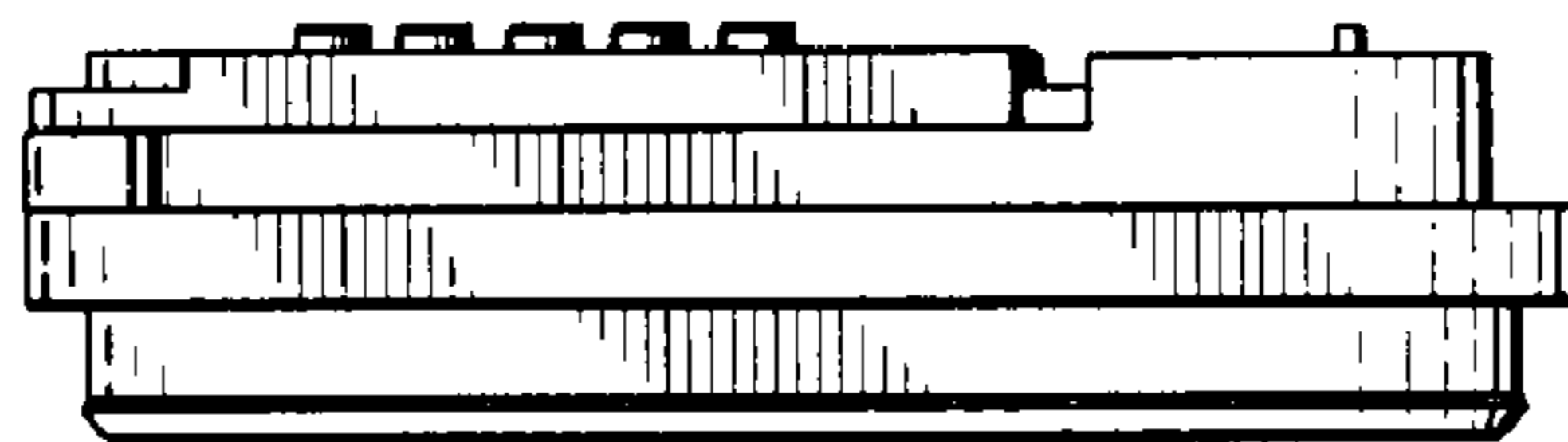


Fig. 5

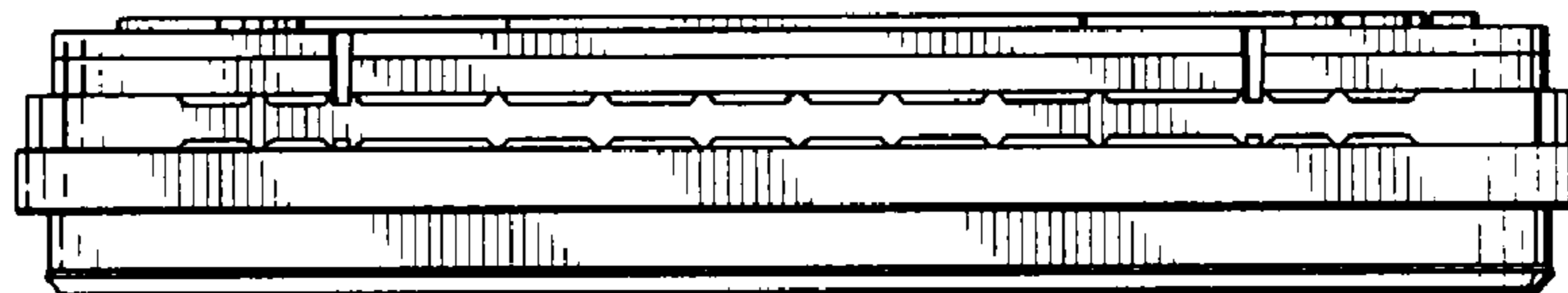


Fig. 6

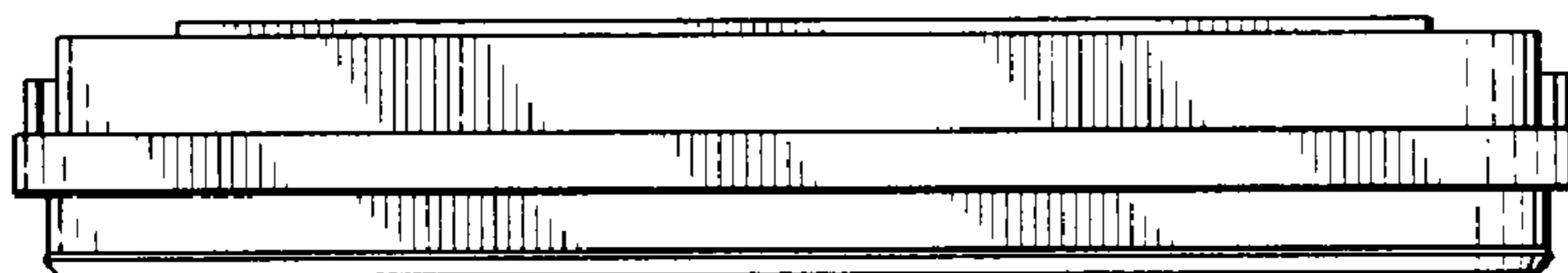


Fig. 7