



US00D599197S

(12) **United States Design Patent**
Hawley

(10) **Patent No.:** **US D599,197 S**

(45) **Date of Patent:** **** Sep. 1, 2009**

(54) **ROPE CADDY**

(76) **Inventor:** **Shane S. Hawley**, 6402 194th Ave. E.,
Bonney Lake, WA (US) 98391

(**) **Term:** **14 Years**

(21) **Appl. No.:** **29/331,662**

(22) **Filed:** **Jan. 29, 2009**

(51) **LOC (9) Cl.** **08-05**

(52) **U.S. Cl.** **D8/358; D8/359**

(58) **Field of Classification Search** D9/456,
D9/432; D8/359, 358, 356, 308; D23/252,
D23/250; D14/475; D13/177.4; D10/72;
33/770, 755; 242/614.1, 608.8, 608.2, 605,
242/604, 595.1, 594.2, 588.6, 588.3, 557,
242/405, 405.1-3, 395, 278.4, 378.2, 171,
242/170; 239/198, 197; 211/644, 44; 206/387.1,
206/232; 137/355.23-28, 355.2, 355.19,
137/15.08, 205.22

See application file for complete search history.

(56) **References Cited**

U.S. PATENT DOCUMENTS

D15,146	S	*	7/1884	Helmus et al.	D8/358
438,718	A	*	10/1890	Truman	242/395
1,458,420	A	*	6/1923	Keel	242/395
1,540,244	A	*	6/1925	Berglund	242/405.1
D180,332	S	*	5/1957	Jackson	D8/358
D227,741	S	*	7/1973	Kim	D8/358
4,123,012	A	*	10/1978	Hough	242/405.2

D257,613	S	*	12/1980	Gruenewald	D8/359
D316,665	S	*	5/1991	Lueth	D8/358
D322,552	S	*	12/1991	Lebon	D8/359
5,139,208	A	*	8/1992	Schooley	242/405.2
D330,323	S	*	10/1992	Hu	D8/359
D330,848	S	*	11/1992	Elliott	D8/359

* cited by examiner

Primary Examiner—Susan Bennett Hattan

(74) *Attorney, Agent, or Firm*—Patrick J. S. Inouye; Krista A. Wittman

(57) **CLAIM**

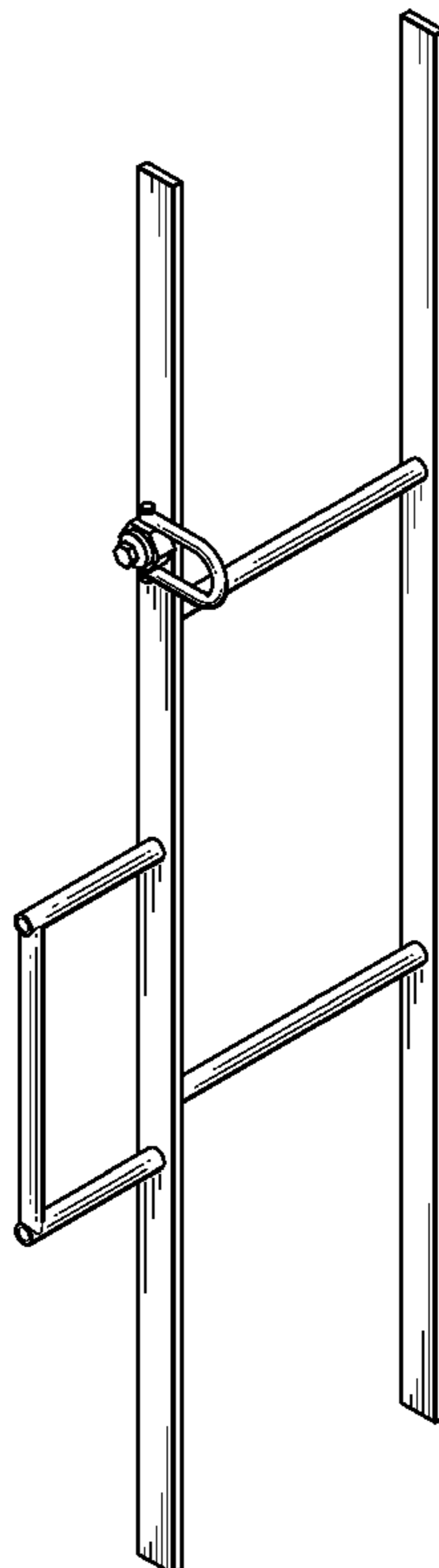
The ornamental design for a rope caddy, as substantially shown and described.

DESCRIPTION

FIG. 1 is a perspective view showing a rope caddy.
 FIG. 2 is a left elevational view of the rope caddy of FIG. 1.
 FIG. 3 is a front elevational view of the rope caddy of FIG. 1.
 FIG. 4 is a right elevational view of the rope caddy of FIG. 1.
 FIG. 5 is a back elevational view of the rope caddy of FIG. 1.
 FIG. 6 is a top plan view of the rope caddy of FIG. 1.
 FIG. 7 is a bottom plan view of the rope caddy of FIG. 1; and,
 FIG. 8 is a perspective view of the rope caddy of FIG. 1 with rope.

The broken lines shown in the drawings are for illustrative purposes only and form no part of the claimed design.

1 Claim, 5 Drawing Sheets



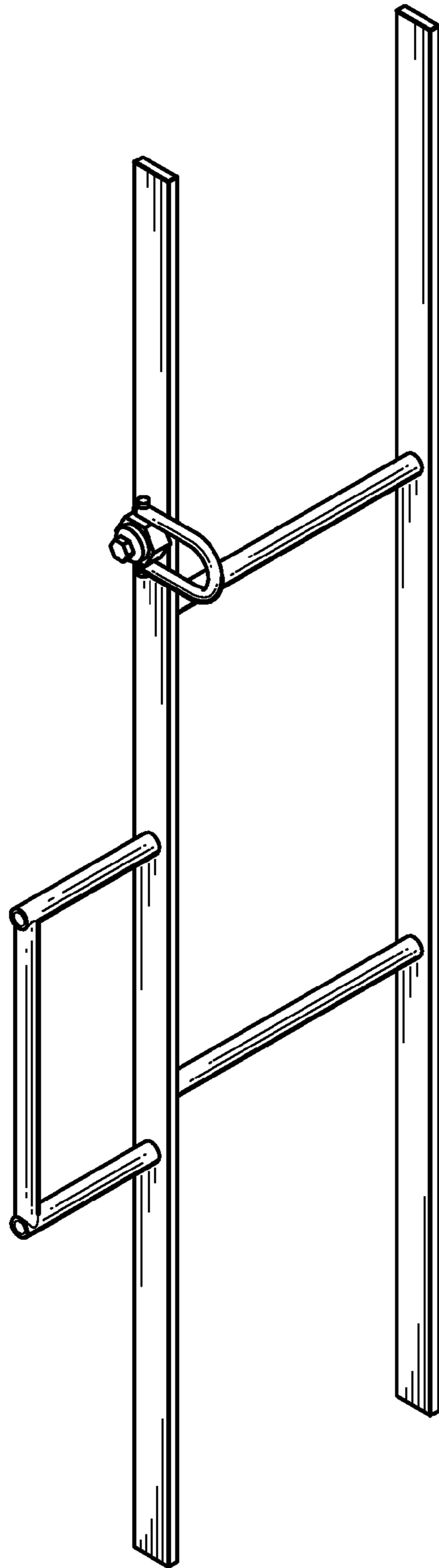


FIG.1

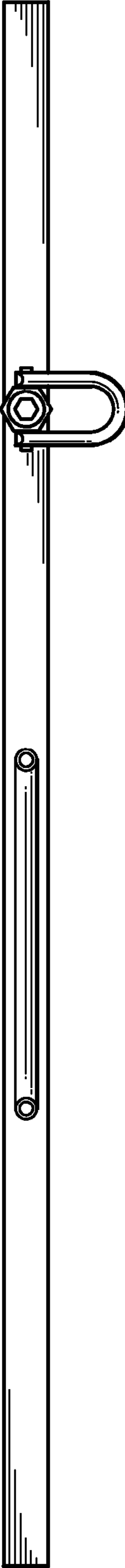


FIG. 2

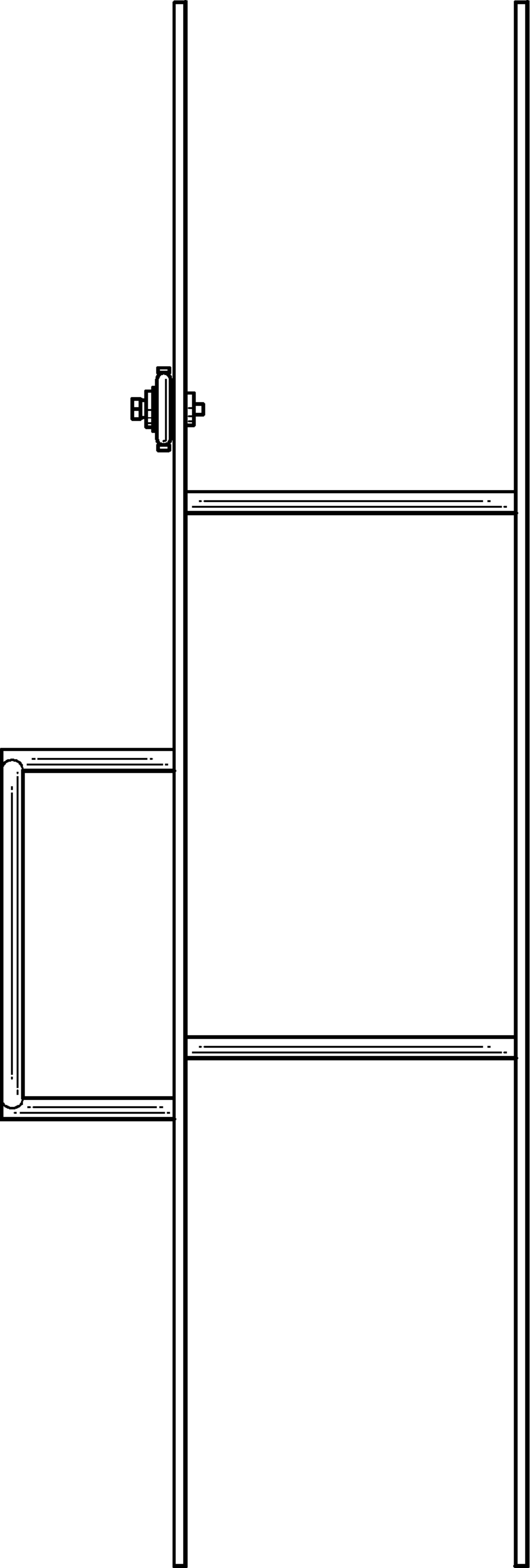


FIG. 3



FIG. 4

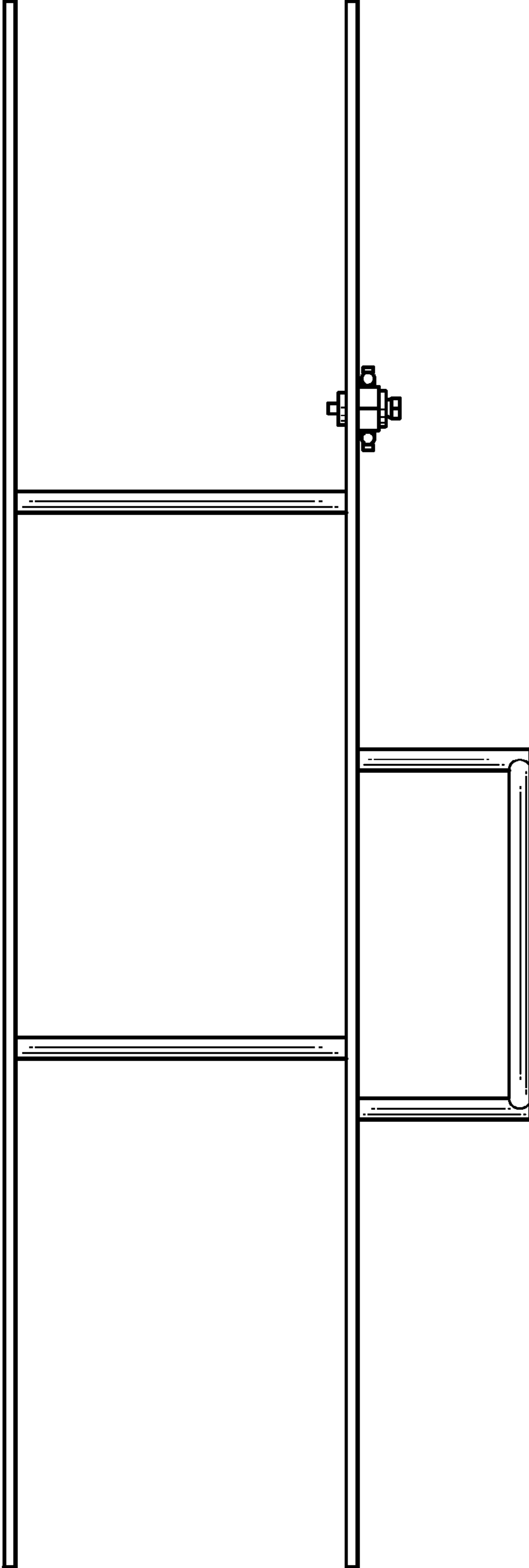


FIG. 5

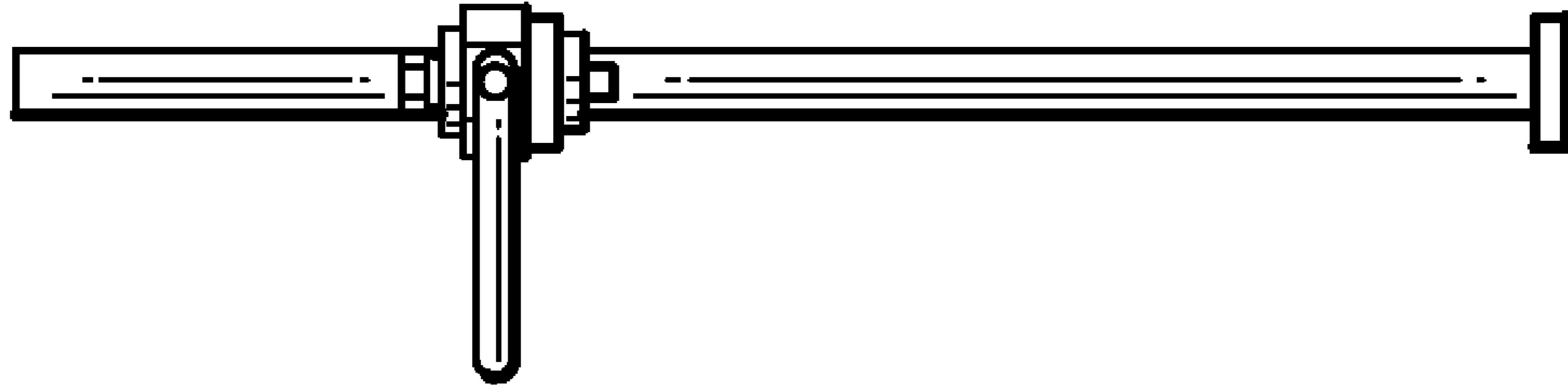


FIG. 6

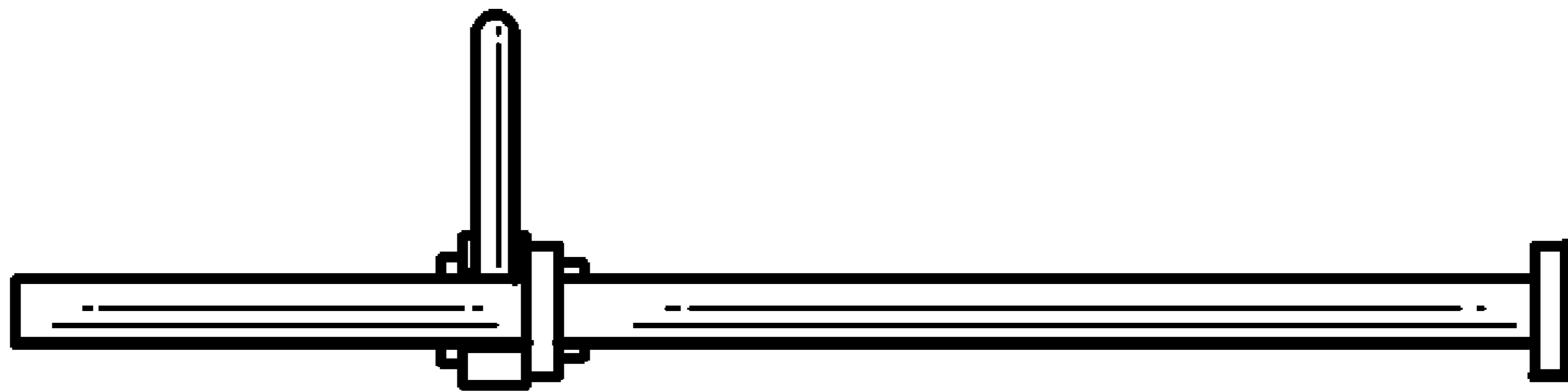


FIG. 7

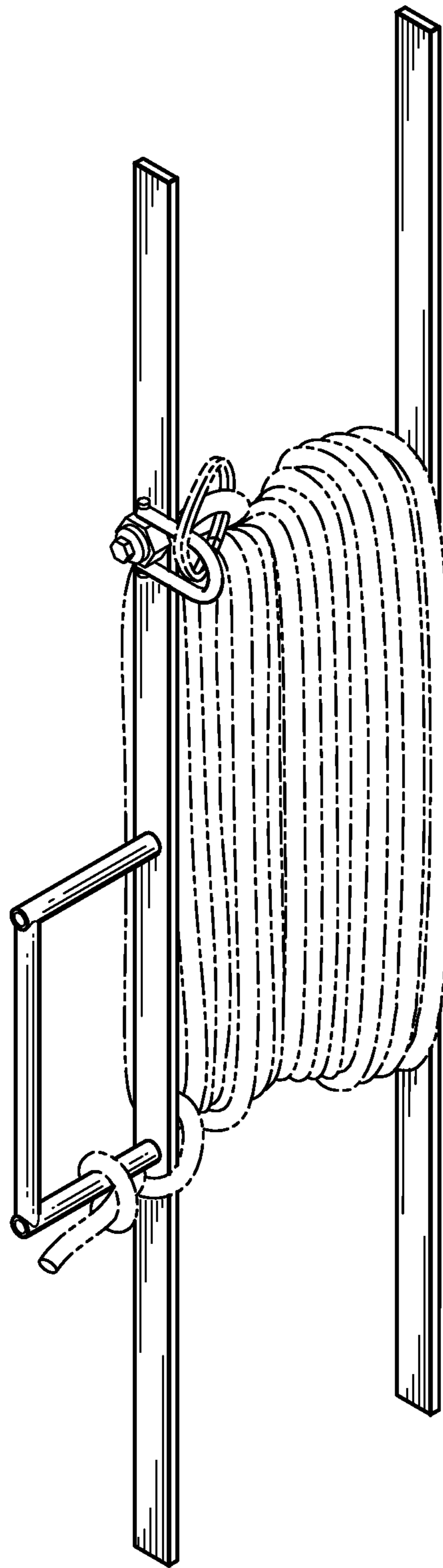


FIG. 8