

US00D599192S

(12) **United States Design Patent**  
**Andren et al.**

(10) **Patent No.:** **US D599,192 S**

(45) **Date of Patent:** **\*\* Sep. 1, 2009**

(54) **SUCTION CUP**

(75) Inventors: **Sebastian Andren**, Malmo (SE);  
**Andreas Winqvist**, Staffanstorp (SE)

(73) Assignee: **Jolife AB** (SE)

(\*\*) Term: **14 Years**

(21) Appl. No.: **29/328,295**

(22) Filed: **Nov. 21, 2008**

(30) **Foreign Application Priority Data**

May 26, 2008 (SE) ..... 2008/0323

(51) **LOC (9) Cl.** ..... **08-05**

(52) **U.S. Cl.** ..... **D8/354**

(58) **Field of Classification Search** ..... D8/14,  
D8/349, 154, 373, 394; D34/28, 35; 248/205.5–206.2,  
248/309.3, 362, 363, 537, 683; 294/64.1  
See application file for complete search history.

(56) **References Cited**

**U.S. PATENT DOCUMENTS**

3,152,828 A \* 10/1964 Lytle ..... 294/64.1  
3,627,369 A \* 12/1971 Nixon ..... 294/64.1  
5,029,786 A \* 7/1991 Wu ..... 248/205.7  
5,104,077 A \* 4/1992 Liu ..... 248/205.8  
D490,201 S \* 5/2004 Liao ..... D34/28

D576,865 S \* 9/2008 Chiang et al. .... D8/349  
2008/0111037 A1 \* 5/2008 Carnevali ..... 248/206.2  
2008/0251664 A1 \* 10/2008 Hara et al. .... 248/205.8

\* cited by examiner

*Primary Examiner*—Holly H Baynham

*Assistant Examiner*—Cynthia M Chin

(74) *Attorney, Agent, or Firm*—Ostrolenk, Faber, Gerb & Soffen, LLP

(57) **CLAIM**

The ornamental design for a suction cup, as shown and described.

**DESCRIPTION**

FIG. 1 is a top, side, perspective view of a suction cup showing our new design;

FIG. 2 is a top view thereof;

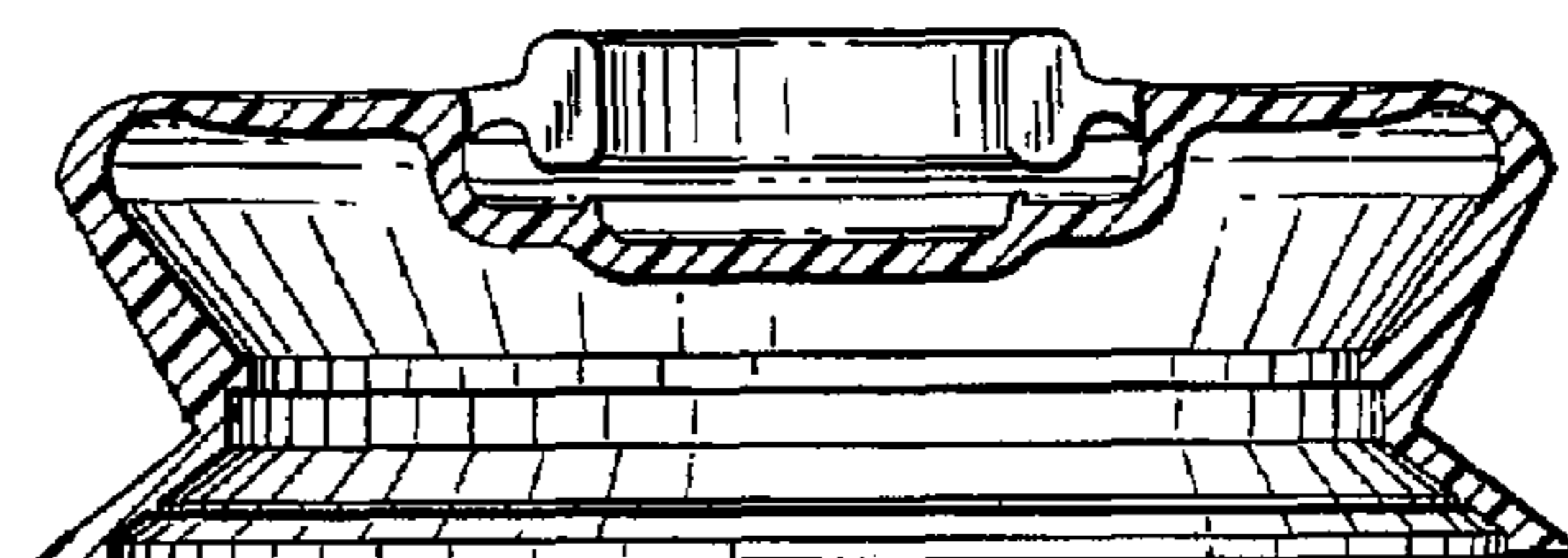
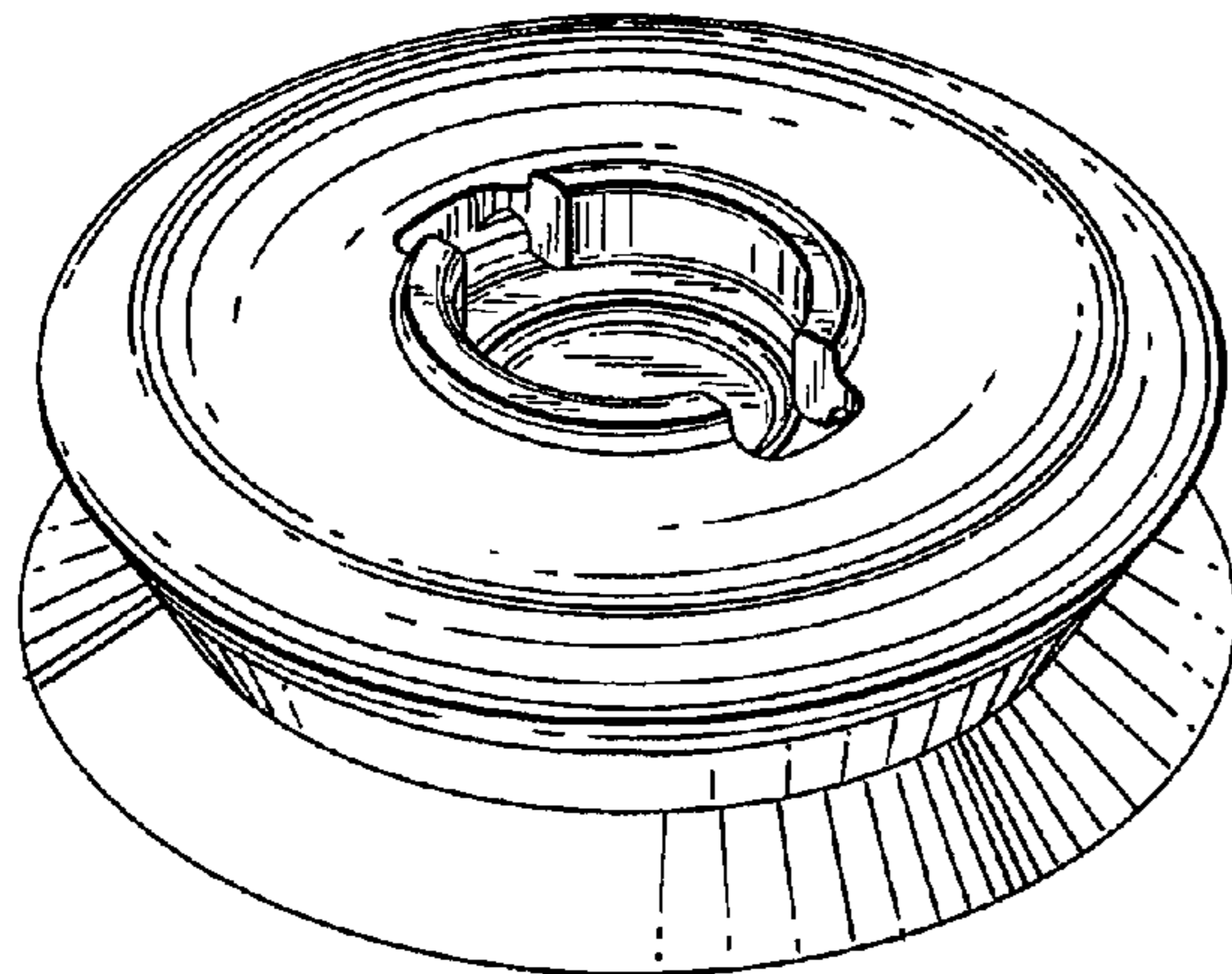
FIG. 3 is one side view thereof, the opposite side view being identical;

FIG. 4 is another side view thereof, the opposite side view being identical;

FIG. 5 is a bottom view thereof; and,

FIG. 6 is a cross-section view thereof on the line 6—6 in FIG. 2.

**1 Claim, 3 Drawing Sheets**



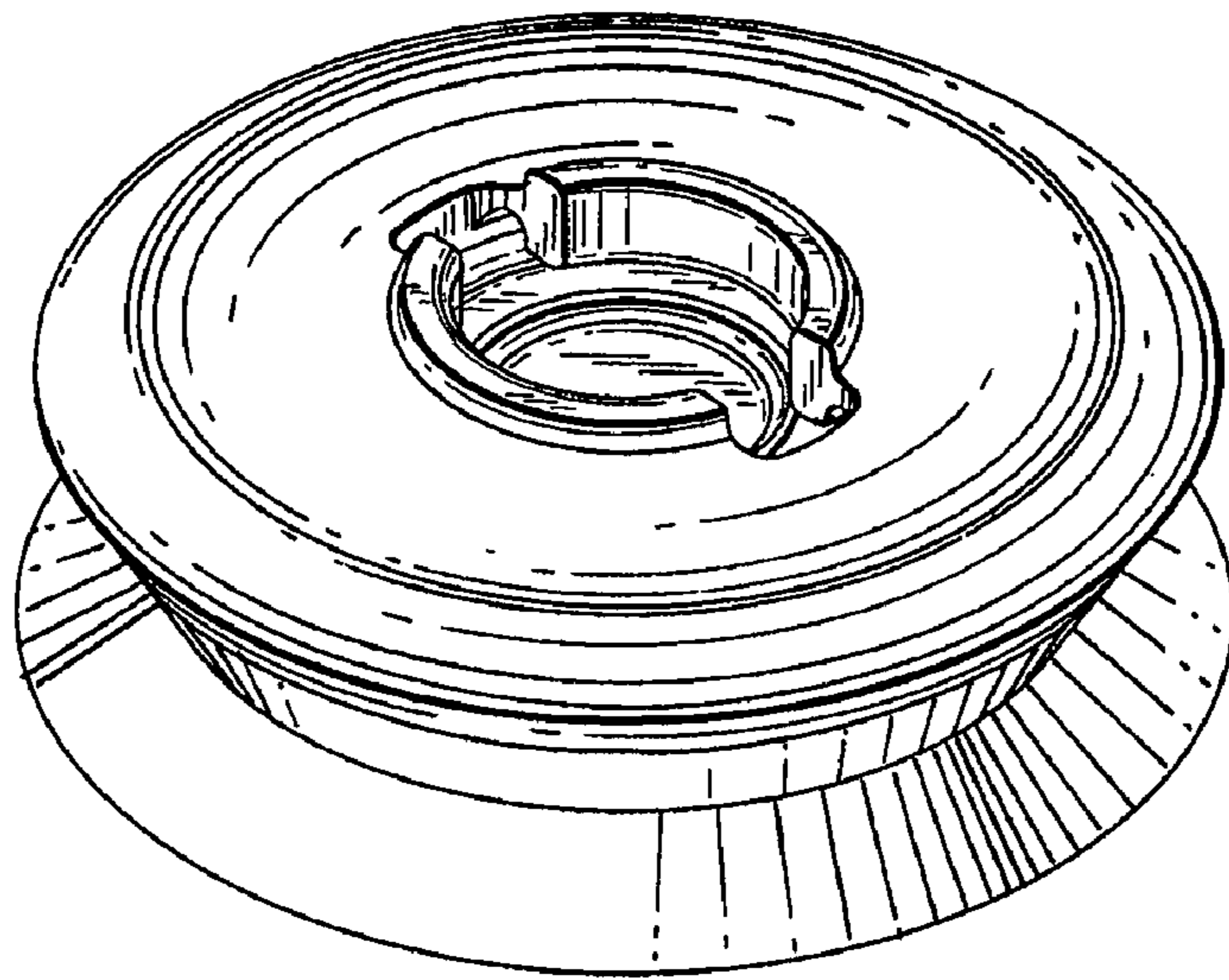


FIG. 1

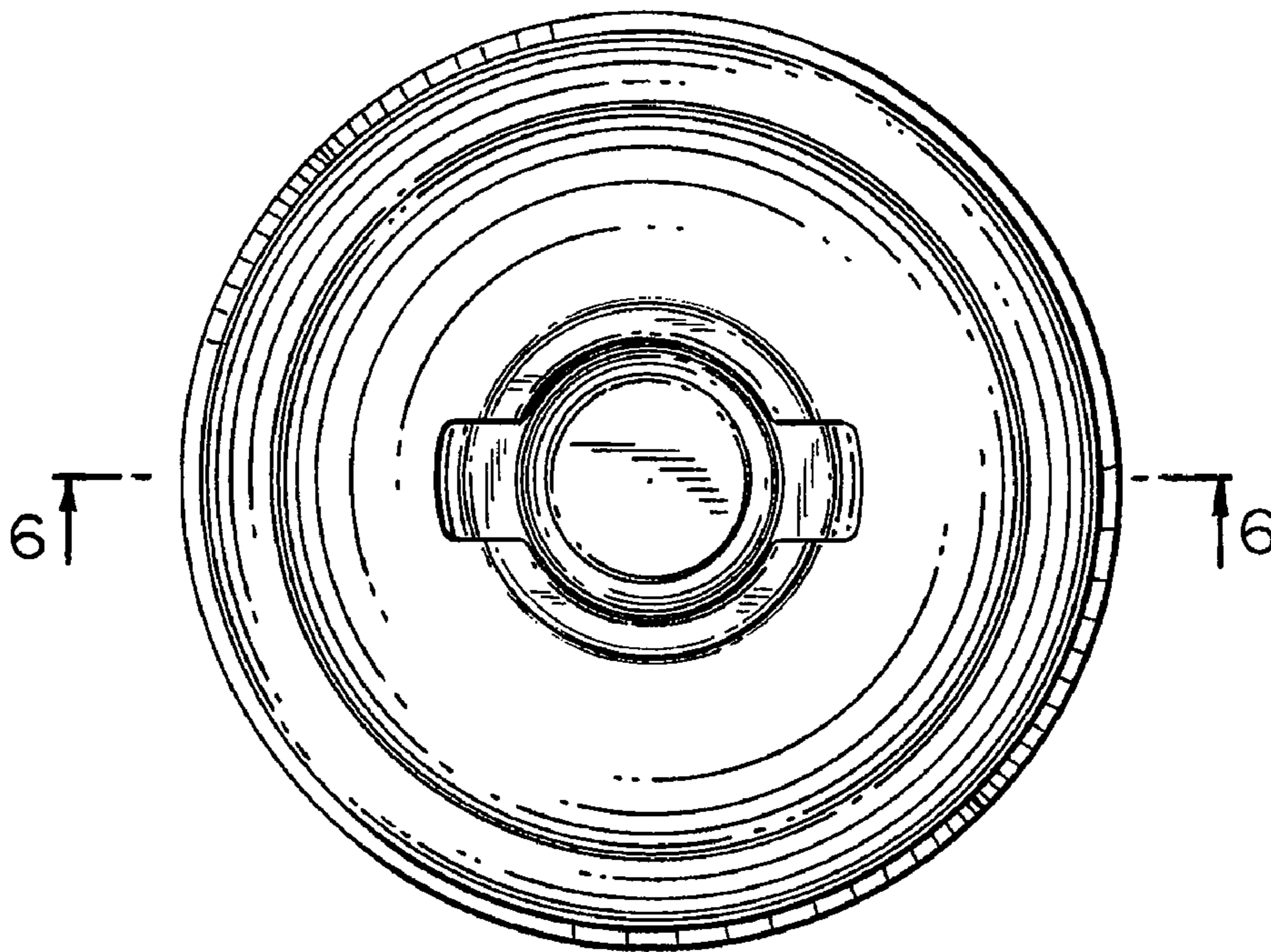


FIG. 2

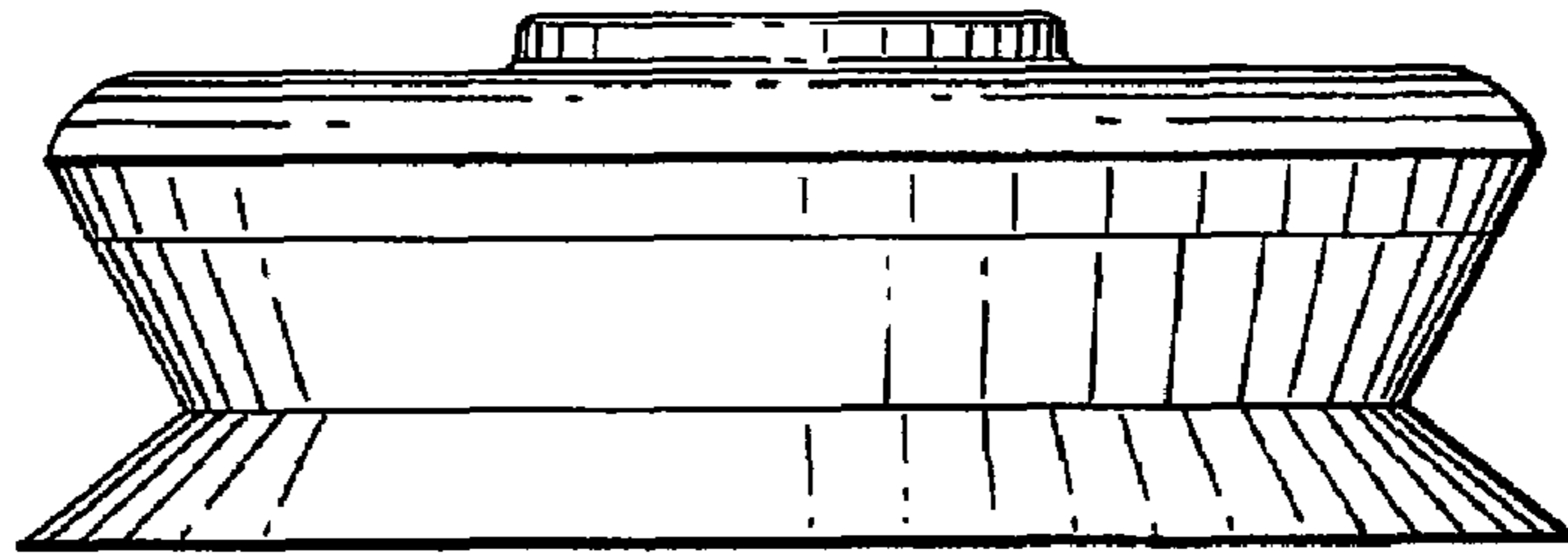


FIG. 3

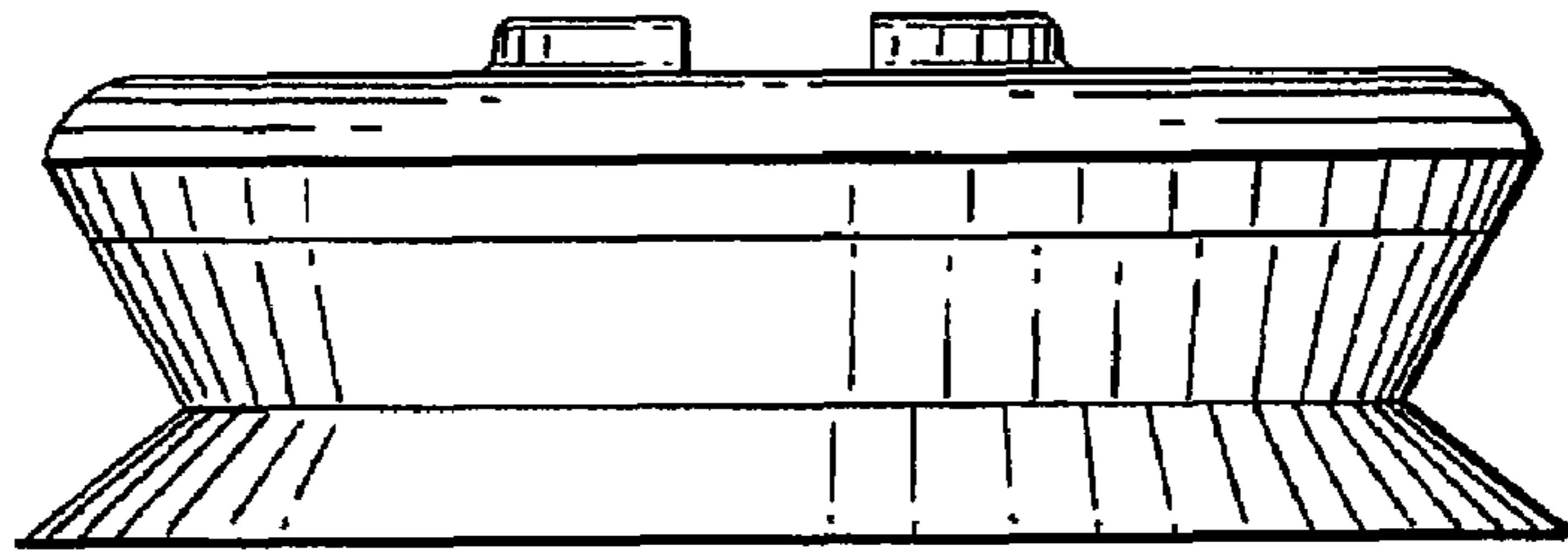


FIG. 4

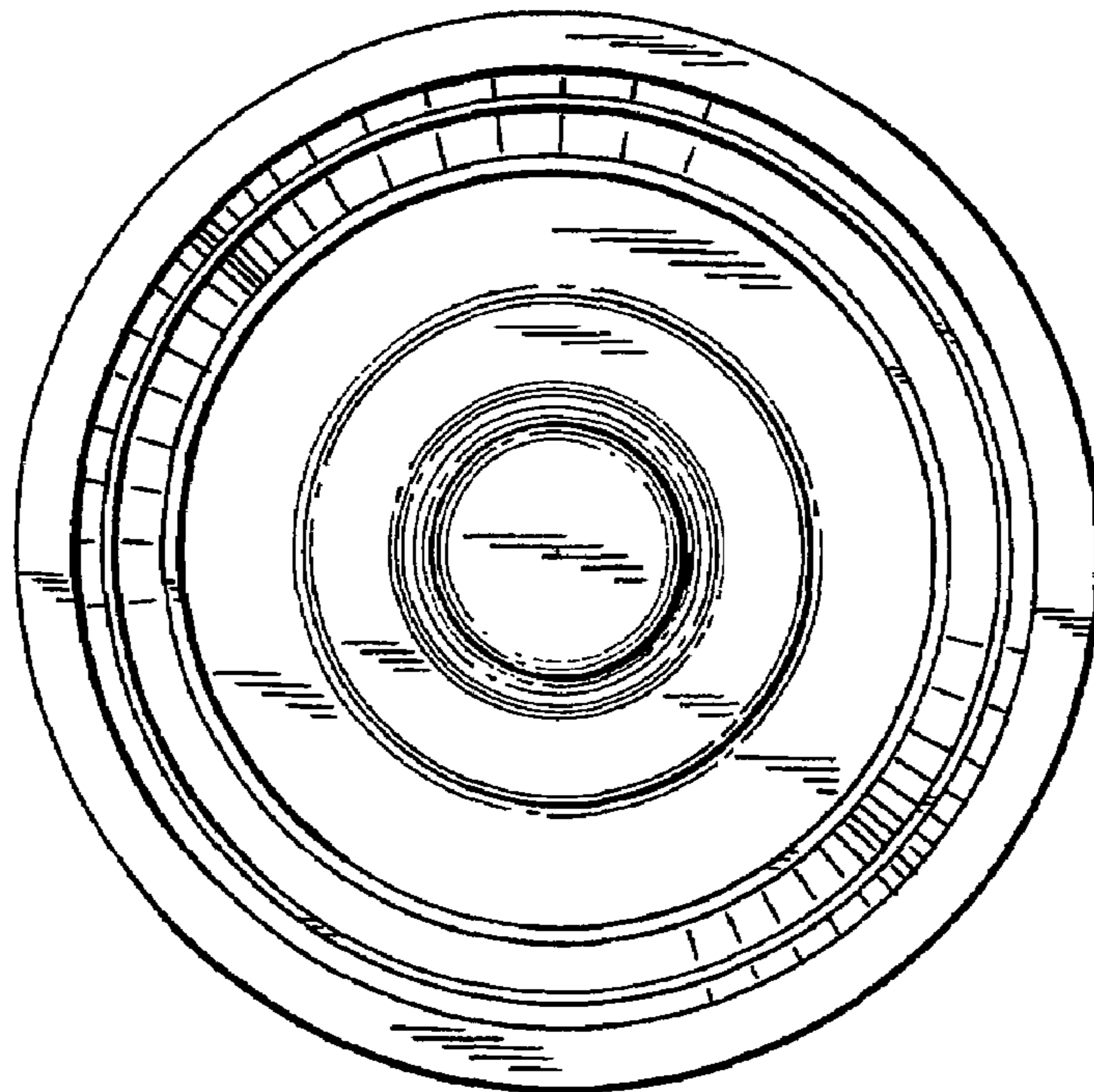


FIG. 5

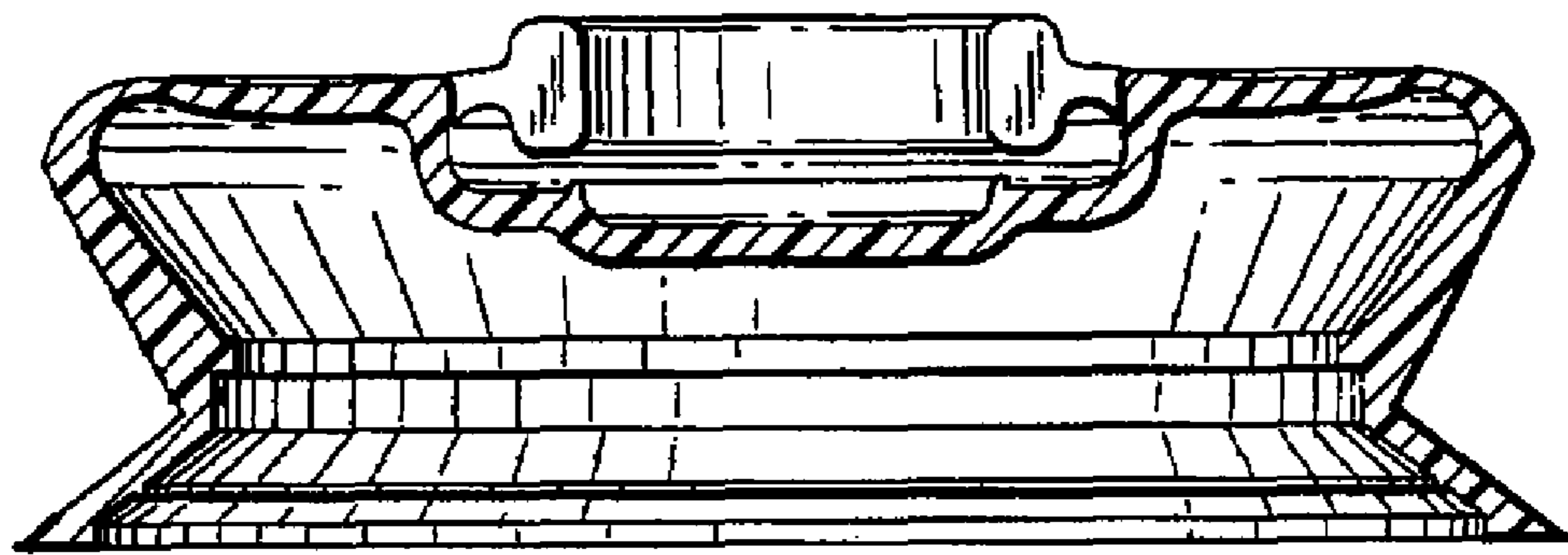


FIG.6