

US00D599191S

(12) **United States Design Patent**
Alexander

(10) **Patent No.:** **US D599,191 S**

(45) **Date of Patent:** **** Sep. 1, 2009**

(54) **MODULE ANCHOR FOR CERAMIC FIBER
BLANKET OR MAT**

D474,395 S *	5/2003	Mueller	D8/354
D478,802 S *	8/2003	Jones	D8/354
D542,240 S *	5/2007	Laursen et al.	D13/184
D554,598 S *	11/2007	Laursen et al.	D13/184
D559,672 S	1/2008	Alexander		

(76) Inventor: **Michael E. Alexander**, 4171 N.
Pleasantview, Ponca City, OK (US)
74601

* cited by examiner

(**) Term: **14 Years**

Primary Examiner—Holly H Baynham

Assistant Examiner—Cynthia M Chin

(21) Appl. No.: **29/322,624**

(74) *Attorney, Agent, or Firm*—Head, Johnson & Kachigian

(22) Filed: **Aug. 7, 2008**

(57) **CLAIM**

(51) **LOC (9) Cl.** **08-05**

The ornamental design for a module anchor for ceramic fiber blanket or mat, as shown and described.

(52) **U.S. Cl.** **D8/354**

(58) **Field of Classification Search** D8/349,
D8/354, 356, 363, 366, 380, 381, 382; 52/508,
52/509, 506.02; 432/247, 248, 253, 258;
D21/102; 110/336, 338

DESCRIPTION

See application file for complete search history.

FIG. 1 is a perspective view of a module anchor for ceramic blanket or mat constructed in accordance with the present invention with support rods, extension rod and fiber mats shown in dashed lines;

(56) **References Cited**

U.S. PATENT DOCUMENTS

3,029,055 A	4/1962	Smith		
4,317,418 A	3/1982	Courshon, Jr. et al.		
4,381,634 A *	5/1983	Hounsel et al.	52/506.02
4,473,983 A	10/1984	Vance		
4,571,911 A *	2/1986	Dunlap et al.	52/509
4,578,918 A *	4/1986	Yost et al.	52/509
4,803,822 A	2/1989	Deren		
4,850,171 A	7/1989	Deren		
4,908,915 A	3/1990	Ruggles et al.		
5,335,890 A	8/1994	Pryor et al.		
D400,080 S *	10/1998	Beard, Jr.	D8/354
D416,470 S *	11/1999	Aldeghe	D8/354
D425,403 S *	5/2000	Medina	D8/354
6,058,859 A	5/2000	Colosimo, Jr.		
D434,638 S *	12/2000	McLauchlan et al.	D8/354
6,393,789 B1 *	5/2002	Lanclos	52/378

FIG. 2 is a top view of a module anchor as shown in FIG. 1;

FIG. 3 is a bottom view of a module anchor as shown in FIG. 1;

FIG. 4 is a left side view of a module anchor as shown in FIG. 1;

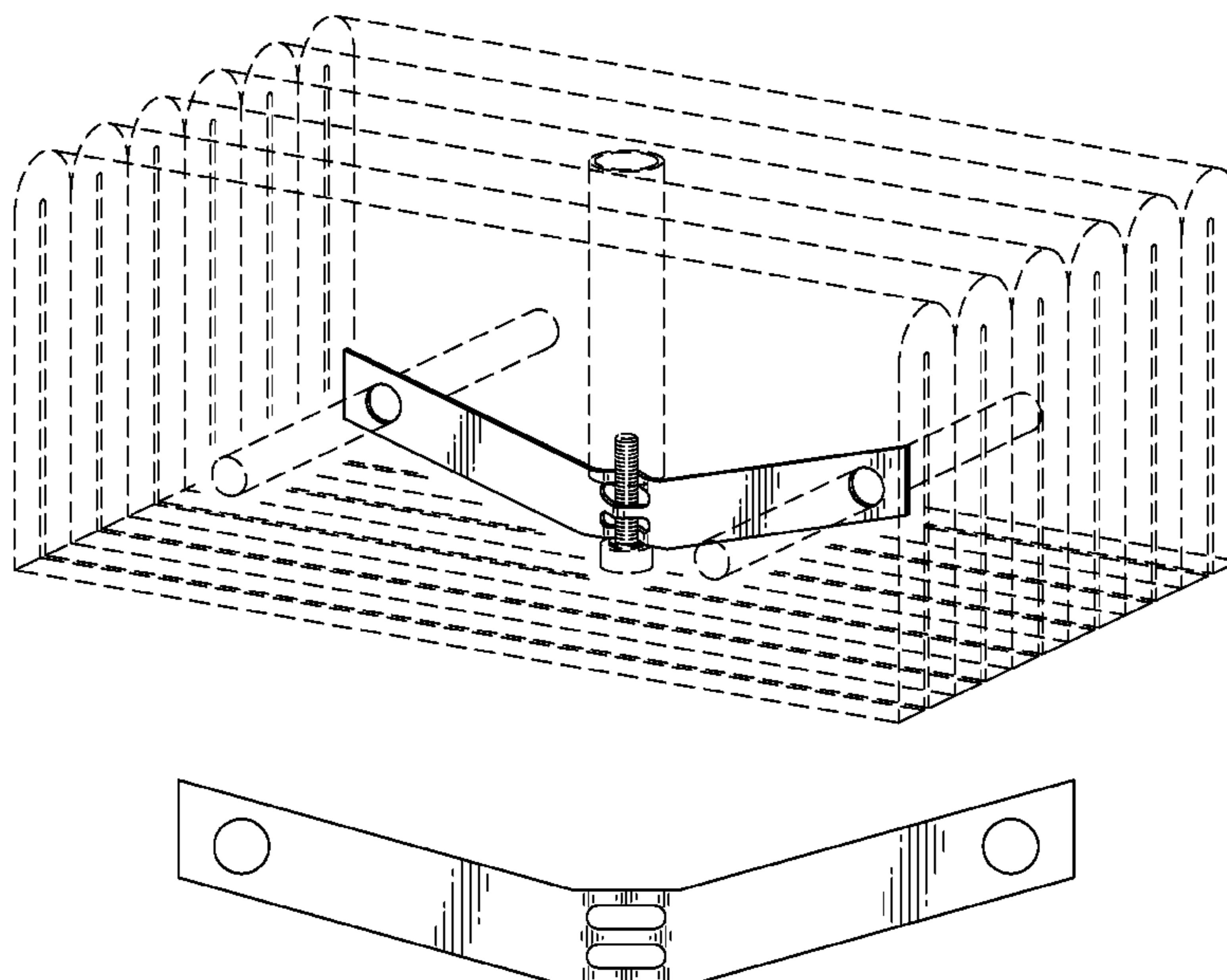
FIG. 5 is a right side view of a module anchor as shown in FIG. 1;

FIG. 6 is a rear view of a module anchor as shown in FIG. 1; and,

FIG. 7 is a front view of a module anchor as shown.

The broken lines represent the environment in which the design resides forms no part of the claim.

1 Claim, 2 Drawing Sheets



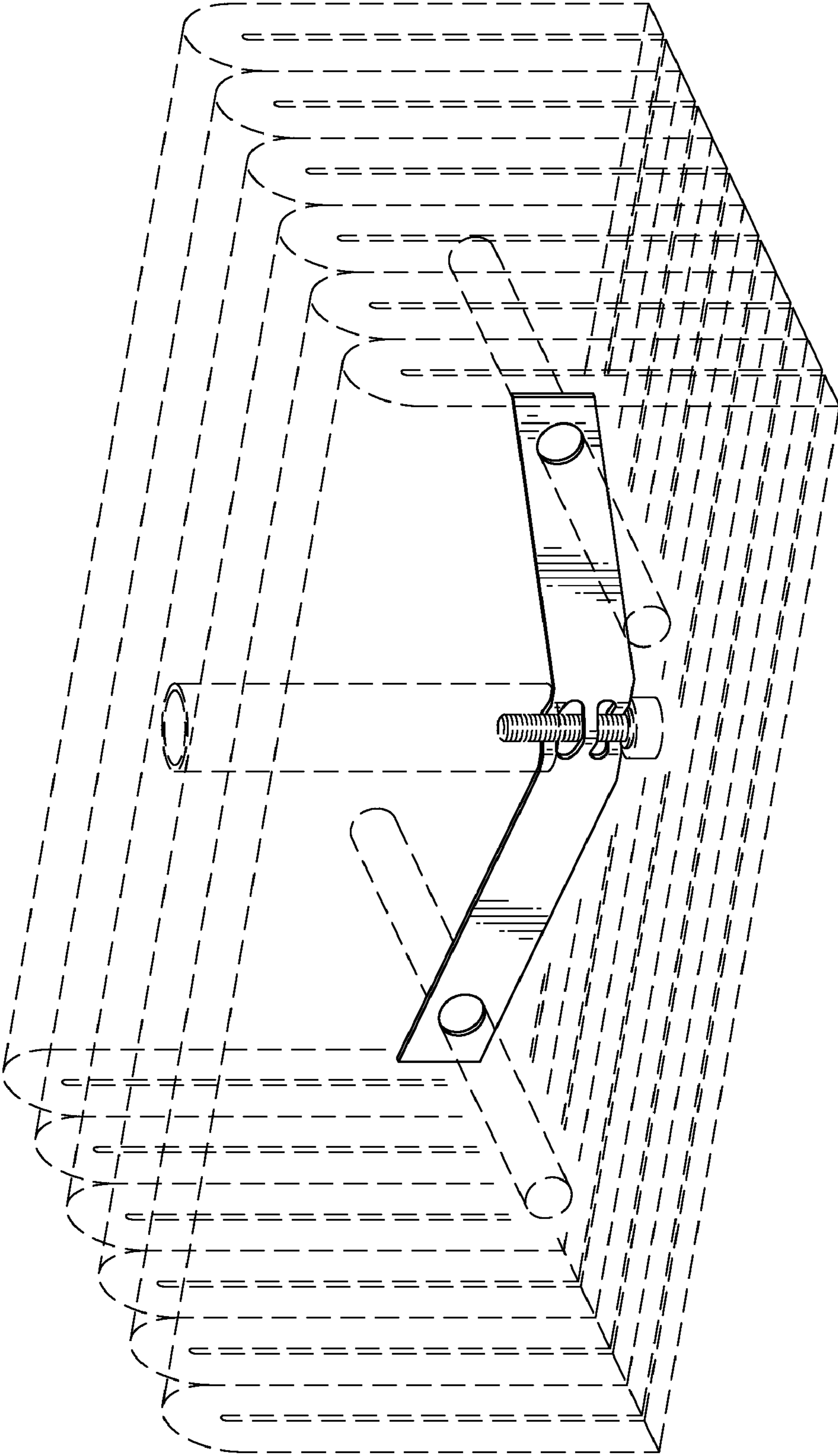


FIG. 1



FIG. 2



FIG. 3

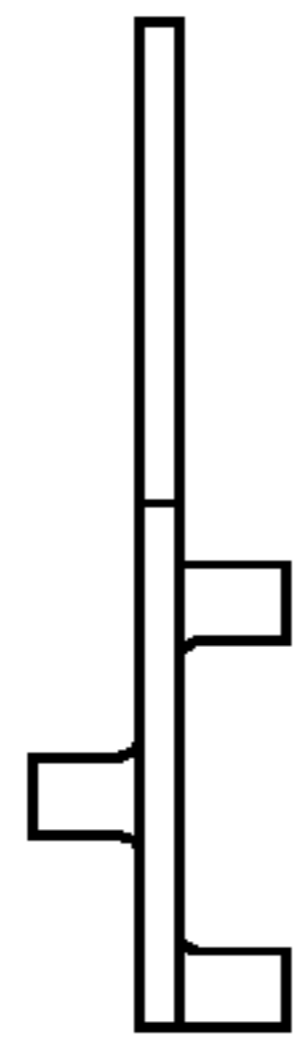


FIG. 4

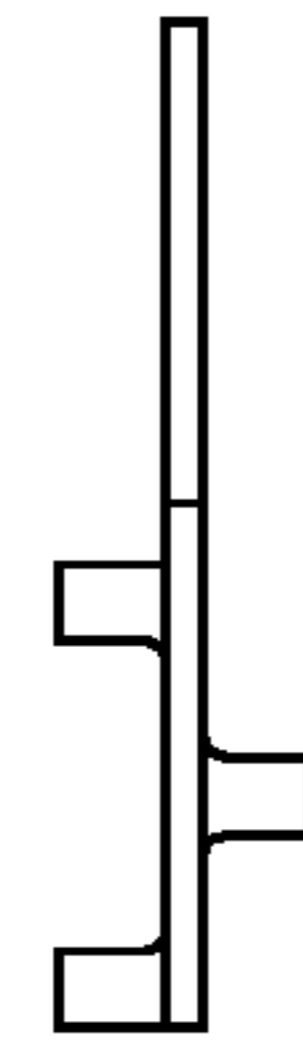


FIG. 5

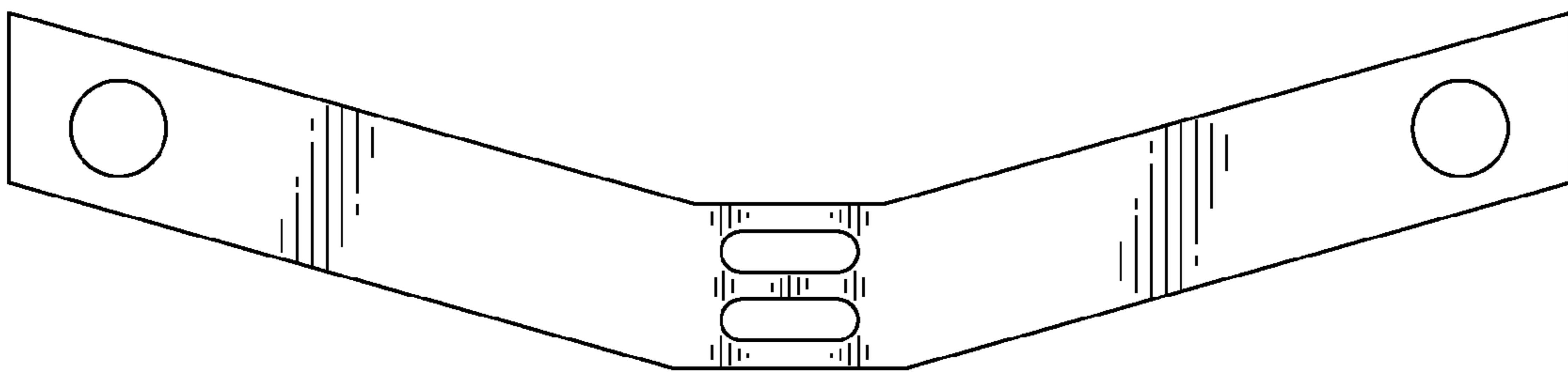


FIG. 6

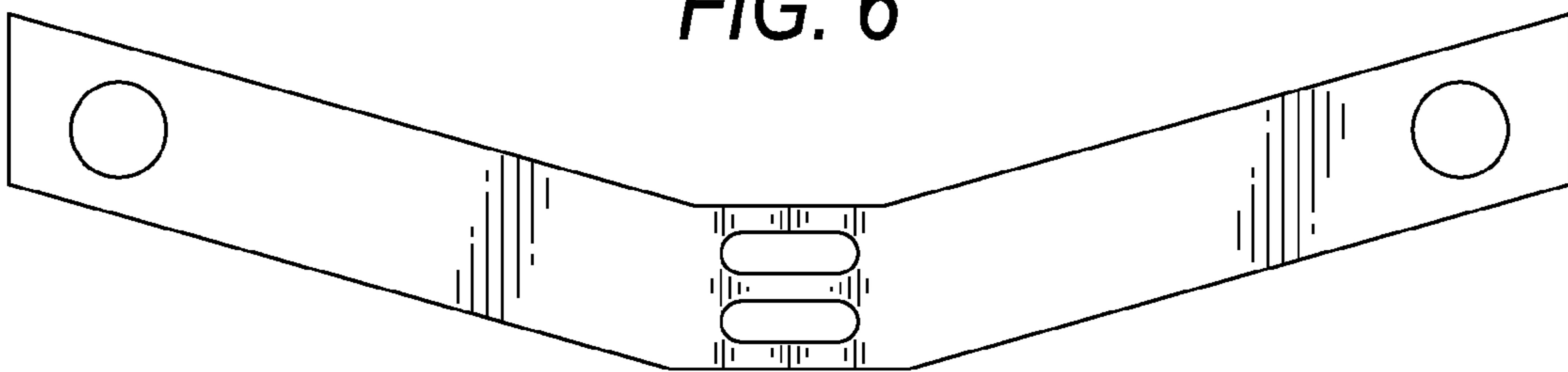


FIG. 7