

US00D599190S

(12) **United States Design Patent**
Huang

(10) **Patent No.:** **US D599,190 S**

(45) **Date of Patent:** **** Sep. 1, 2009**

(54) **BRACKET**

(75) **Inventor:** **Nan Huang Huang**, Rancho Palos Verdes, CA (US)

(73) **Assignee:** **Grand General Accessories Manufacturing**, Rancho Dominguez, CA (US)

(**) **Term:** **14 Years**

(21) **Appl. No.:** **29/313,549**

(22) **Filed:** **Jan. 20, 2009**

(51) **LOC (9) Cl.** **08-05**

(52) **U.S. Cl.** **D8/354**

(58) **Field of Classification Search** D8/349, D8/353, 354, 364, 373; D13/152, 158, 184; 174/48, 49, 50, 53, 57, 58, 503; 248/271.1, 248/205.1, 298.1, 300

See application file for complete search history.

(56) **References Cited**

U.S. PATENT DOCUMENTS

D215,295 S *	9/1969	Veech	D13/184
D217,672 S *	5/1970	Viegi et al.	D13/152
D245,905 S *	9/1977	Taylor	D13/184
D245,906 S *	9/1977	Taylor	D13/184
4,561,615 A *	12/1985	Medlin, Jr.	248/27.1
D286,768 S *	11/1986	Borsh et al.	D13/152
D310,824 S *	9/1990	Layton	D13/152
D340,700 S *	10/1993	Shukur et al.	D13/184
D358,370 S *	5/1995	Guppy	D13/184
D359,438 S *	6/1995	Graham	D8/354

5,619,013 A *	4/1997	Jorgensen	174/53
D390,200 S *	2/1998	Spano	D13/184
D436,836 S *	1/2001	Erwin	D8/364
6,218,615 B1 *	4/2001	Canonico	174/50
D448,350 S *	9/2001	Bentz et al.	D13/152
D462,601 S *	9/2002	Chaney	D8/354
D472,792 S *	4/2003	Callahan et al.	D8/349
D478,497 S *	8/2003	Curtas et al.	D8/354
D478,553 S *	8/2003	Heggem	D13/152
6,664,467 B1 *	12/2003	de la Borbolla	174/503
D556,694 S *	12/2007	Sipe	D13/152
D575,631 S *	8/2008	Huang	D8/354

* cited by examiner

Primary Examiner—Holly H Baynham

Assistant Examiner—Cynthia M Chin

(74) *Attorney, Agent, or Firm*—Thomas I. Rozsa

(57) **CLAIM**

The ornamental design for a bracket, as shown and described.

DESCRIPTION

FIG. 1 is a side perspective view of a bracket, showing my design.

FIG. 2 is a front elevational view;

FIG. 3 is a rear elevational view;

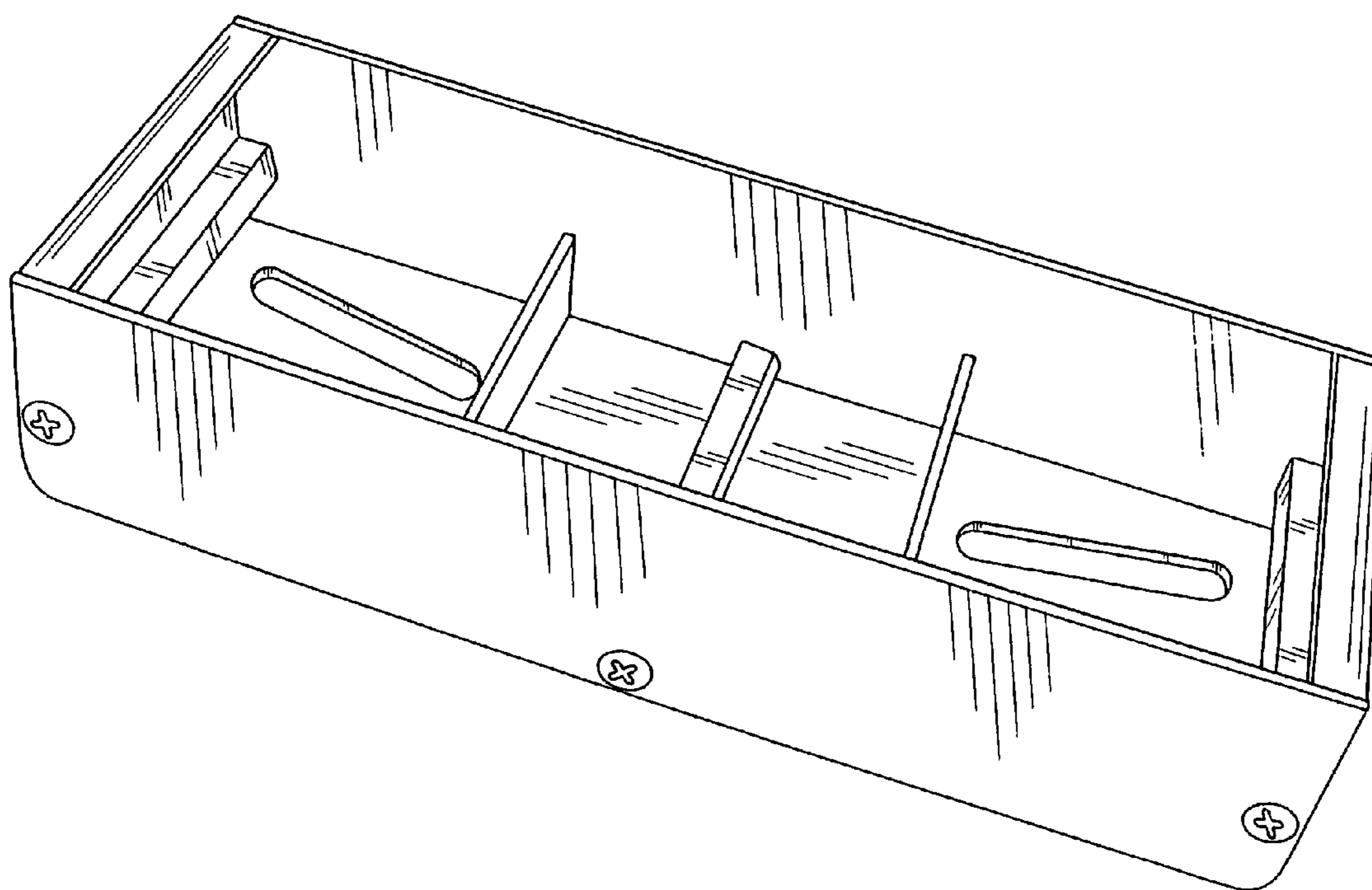
FIG. 4 is a top plan view;

FIG. 5 is a bottom plan view;

FIG. 6 is a right side view; and,

FIG. 7 is a left side view.

1 Claim, 5 Drawing Sheets



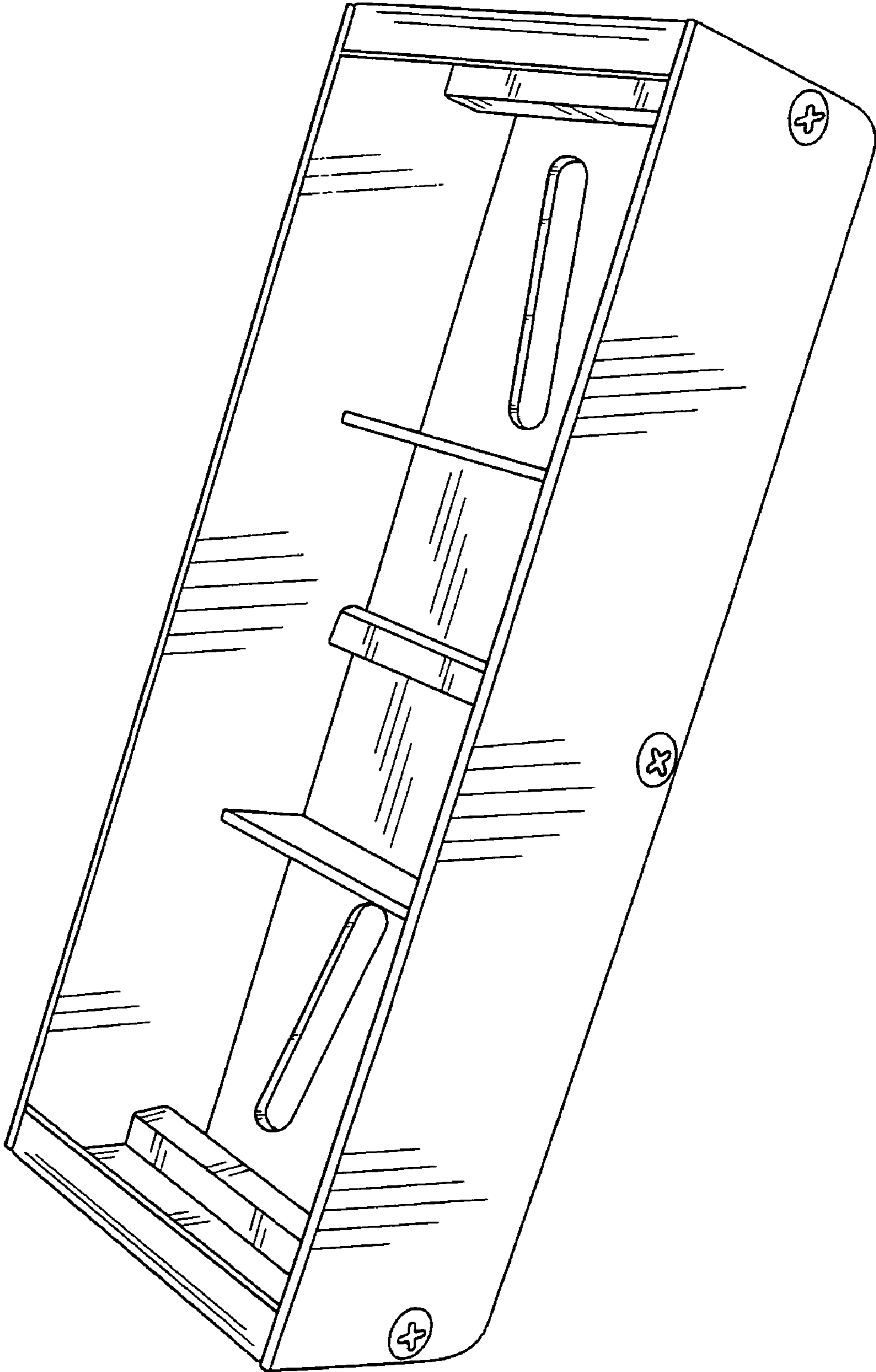


FIG. 1

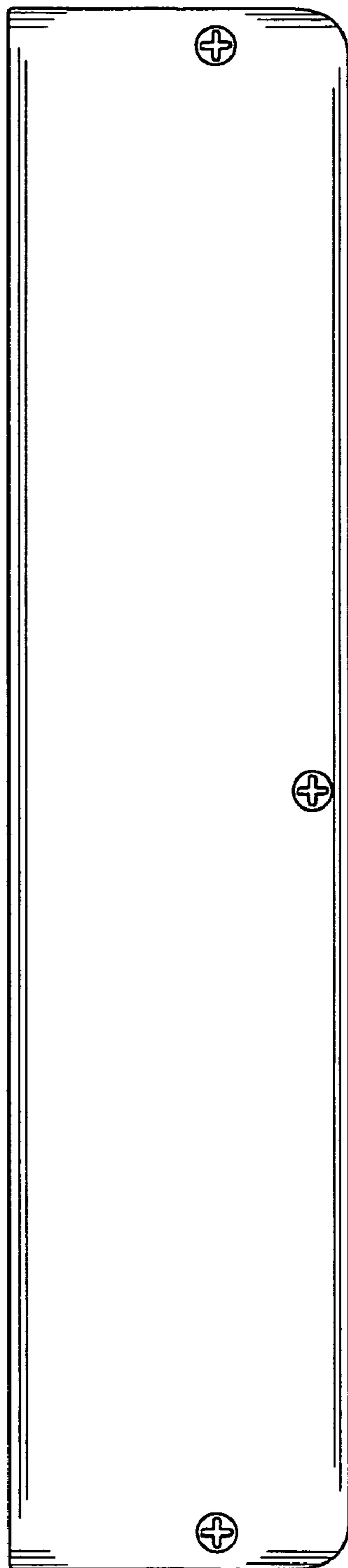


FIG. 2

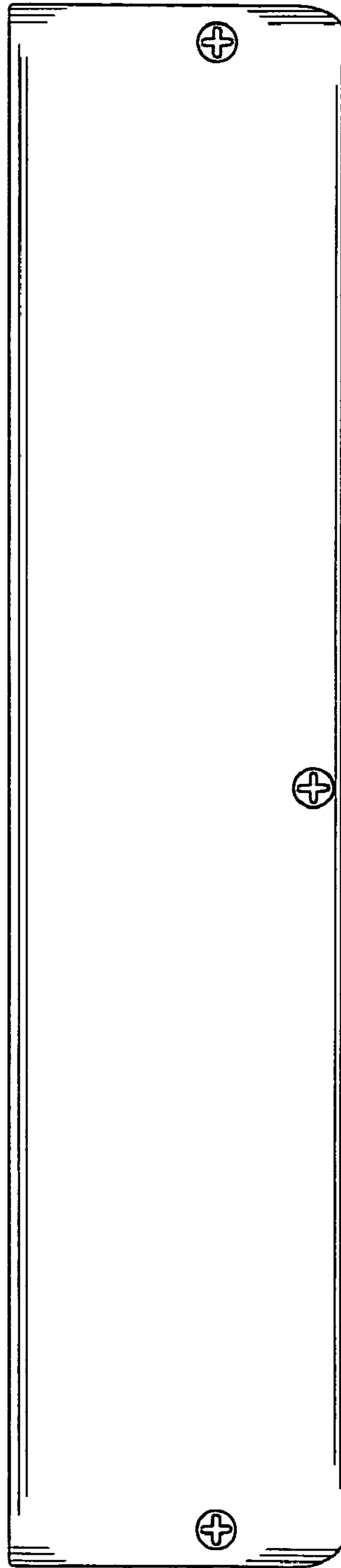


FIG. 3

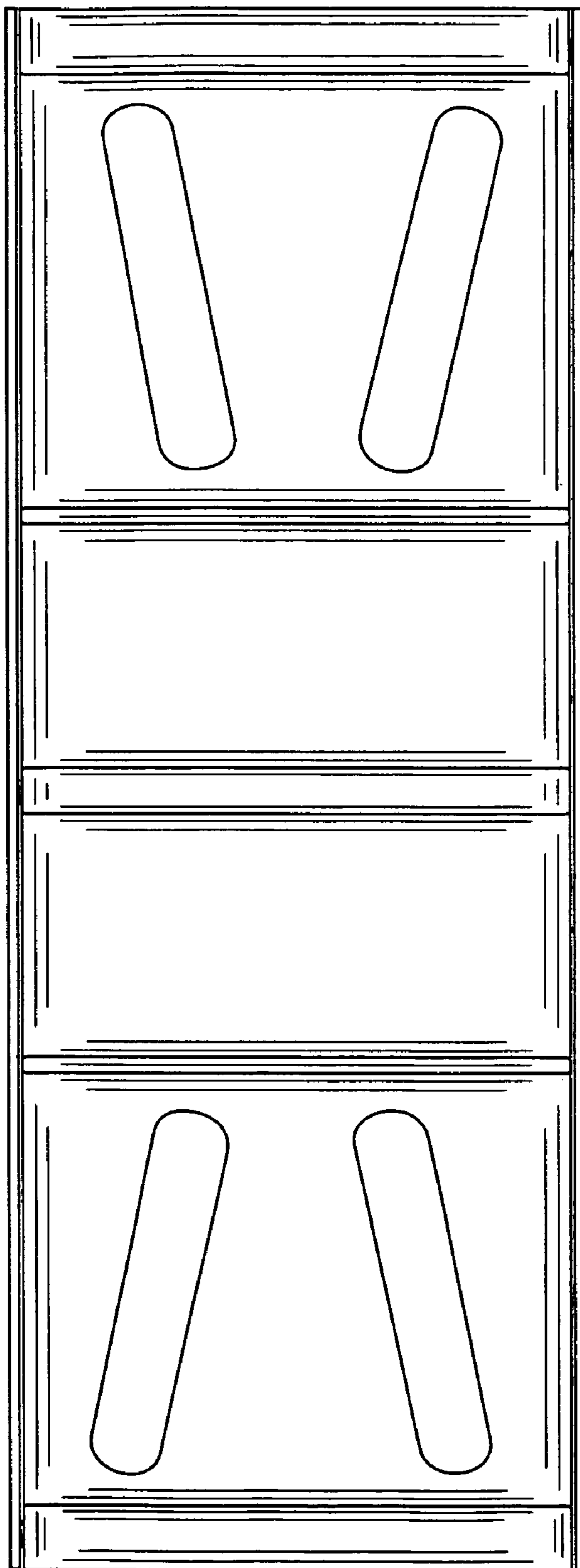


FIG. 4

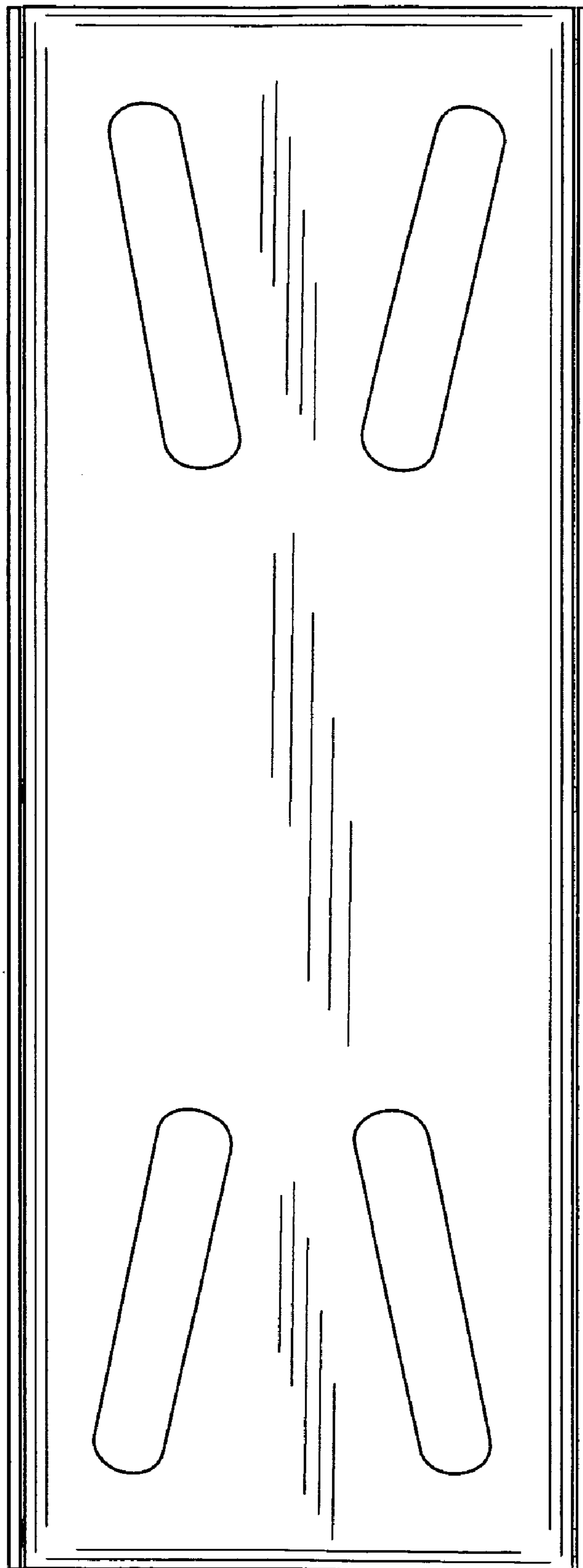


FIG. 5

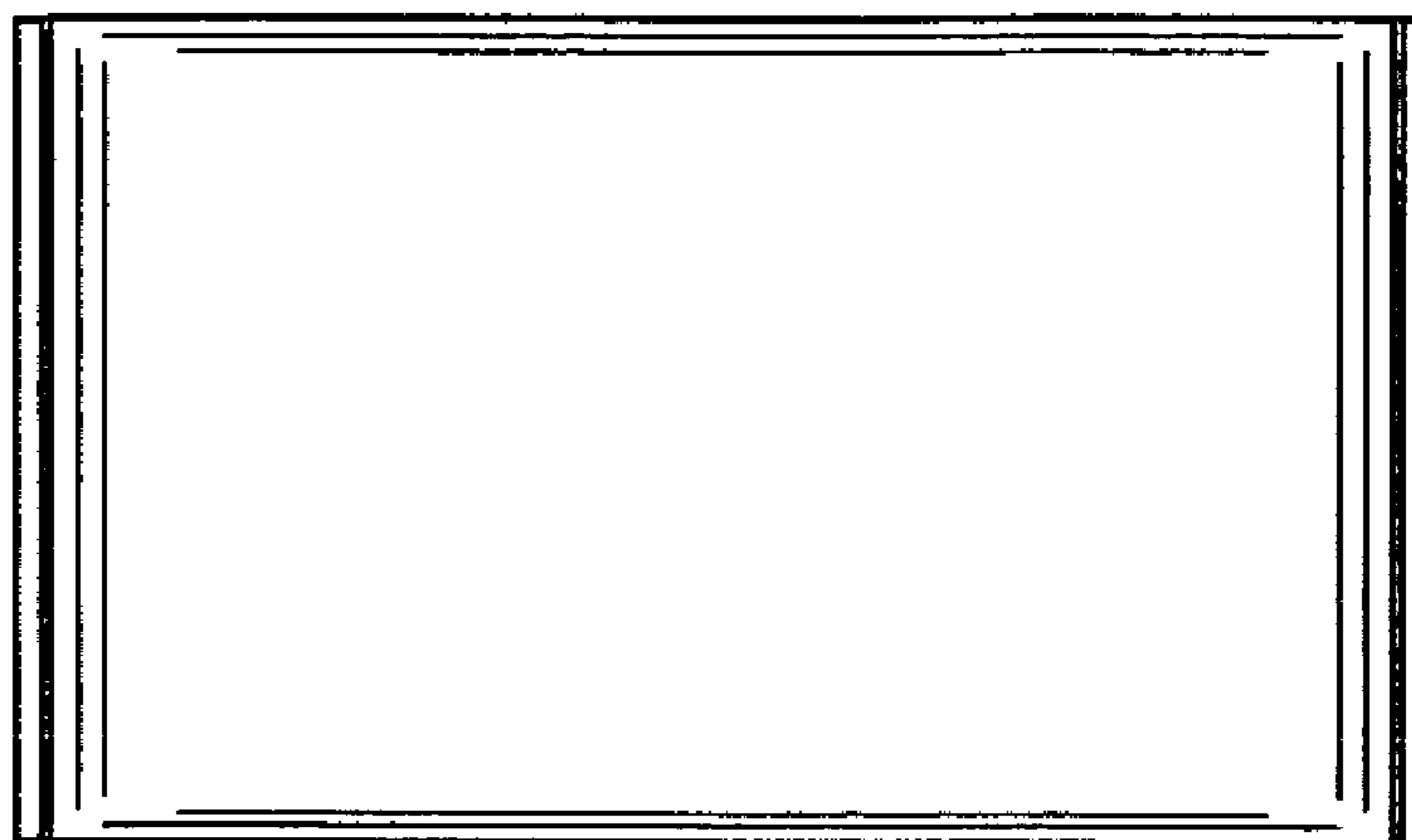


FIG. 6

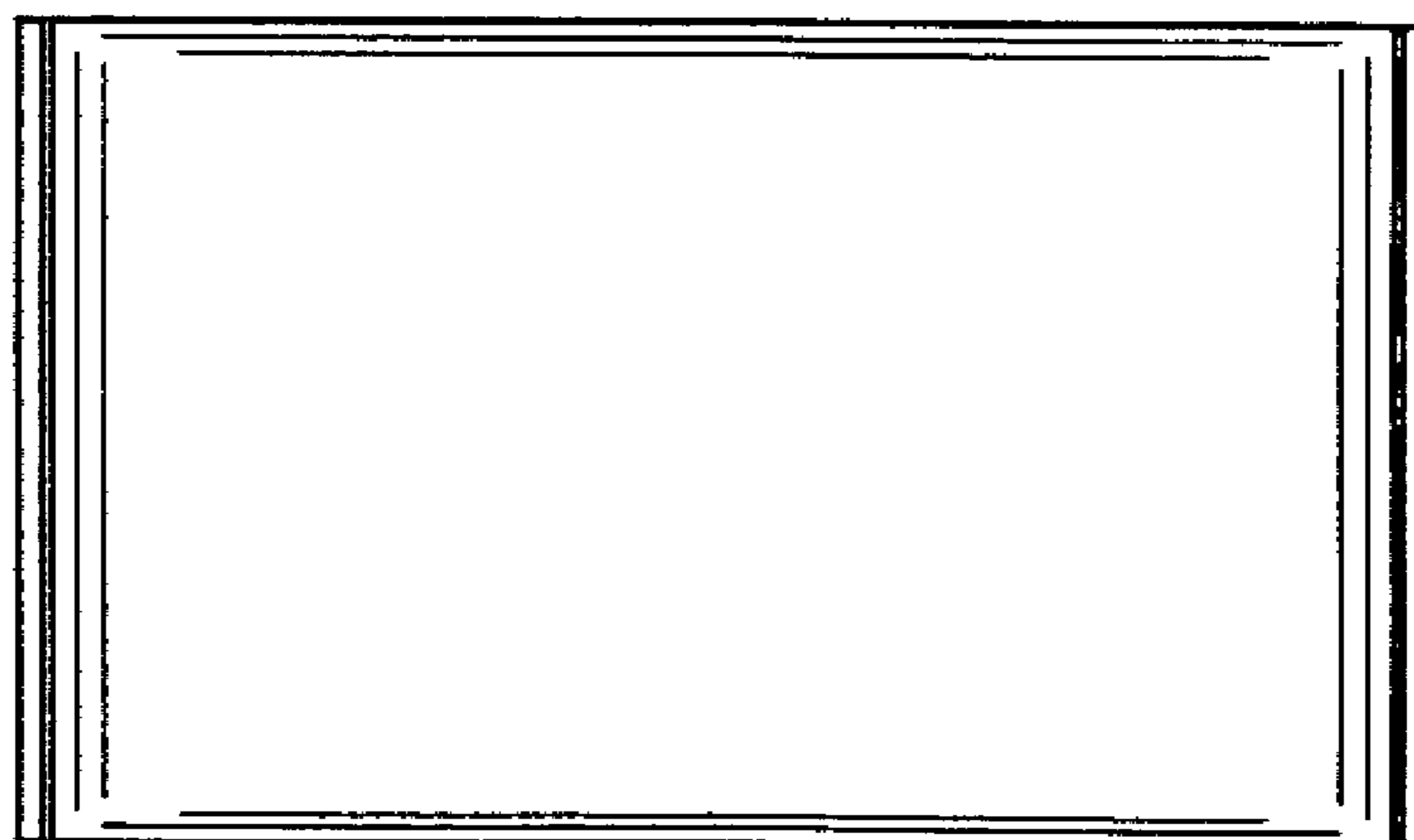


FIG. 7