



US00D599184S

(12) **United States Design Patent**
Johnson et al.

(10) **Patent No.:** **US D599,184 S**

(45) **Date of Patent:** **** Sep. 1, 2009**

(54) **CLAMP**

(75) Inventors: **Barry James Johnson**, Vaughan (CA);
Charles Dudley Copper,
Hummelstown, PA (US); **Vladimir**
Hoxha, Toronto (CA); **Ned Eugene**
Corman, Harrisburg, PA (US)

(73) Assignee: **Tyco Electronics Canada, Ltd.**,
Markham, Ontario (CA)

(**) Term: **14 Years**

(21) Appl. No.: **29/318,626**

(22) Filed: **May 23, 2008**

(51) **LOC (9) Cl.** **08-05**

(52) **U.S. Cl.** **D8/72**

(58) **Field of Classification Search** D8/71-74,
D8/394-399, 354, 355, 356, 59; 248/62,
248/63, 72, 74.1, 689, 124.2; 81/487; 269/3,
269/4, 6, 143, 165, 240, 243, 246-249, 254 R,
269/147-149; 29/256, 257, 276, 747; D15/140;
D24/143; 439/781; D13/120, 149
See application file for complete search history.

(56) **References Cited**

U.S. PATENT DOCUMENTS

3,431,538 A * 3/1969 Hubbard et al. D8/395
D214,273 S * 5/1969 Bricker, Jr. D13/149
D271,939 S * 12/1983 Little D8/73
D329,224 S * 9/1992 Dinkel D13/149

5,286,211 A * 2/1994 McIntosh 269/249
D387,971 S * 12/1997 Nemeckay D8/354
D429,625 S * 8/2000 Sikkila et al. D8/354
D429,984 S * 8/2000 Cummings D8/72
D440,138 S * 4/2001 Campbell D8/71
D457,410 S * 5/2002 Von Fange D8/73
D562,677 S * 2/2008 Farber et al. D8/396
D576,464 S * 9/2008 Franks, Jr. D8/72
D581,255 S * 11/2008 Calvin D8/356

* cited by examiner

Primary Examiner—T. Chase Nelson

Assistant Examiner—David G Muller

(74) *Attorney, Agent, or Firm*—McNees Wallace & Nurick,
LLC

(57) **CLAIM**

The ornamental design for a clamp, as shown and described.

DESCRIPTION

FIG. 1 is a bottom perspective view of a clamp showing the new design.

FIG. 2 is a top perspective view thereof.

FIG. 3 is a side view thereof.

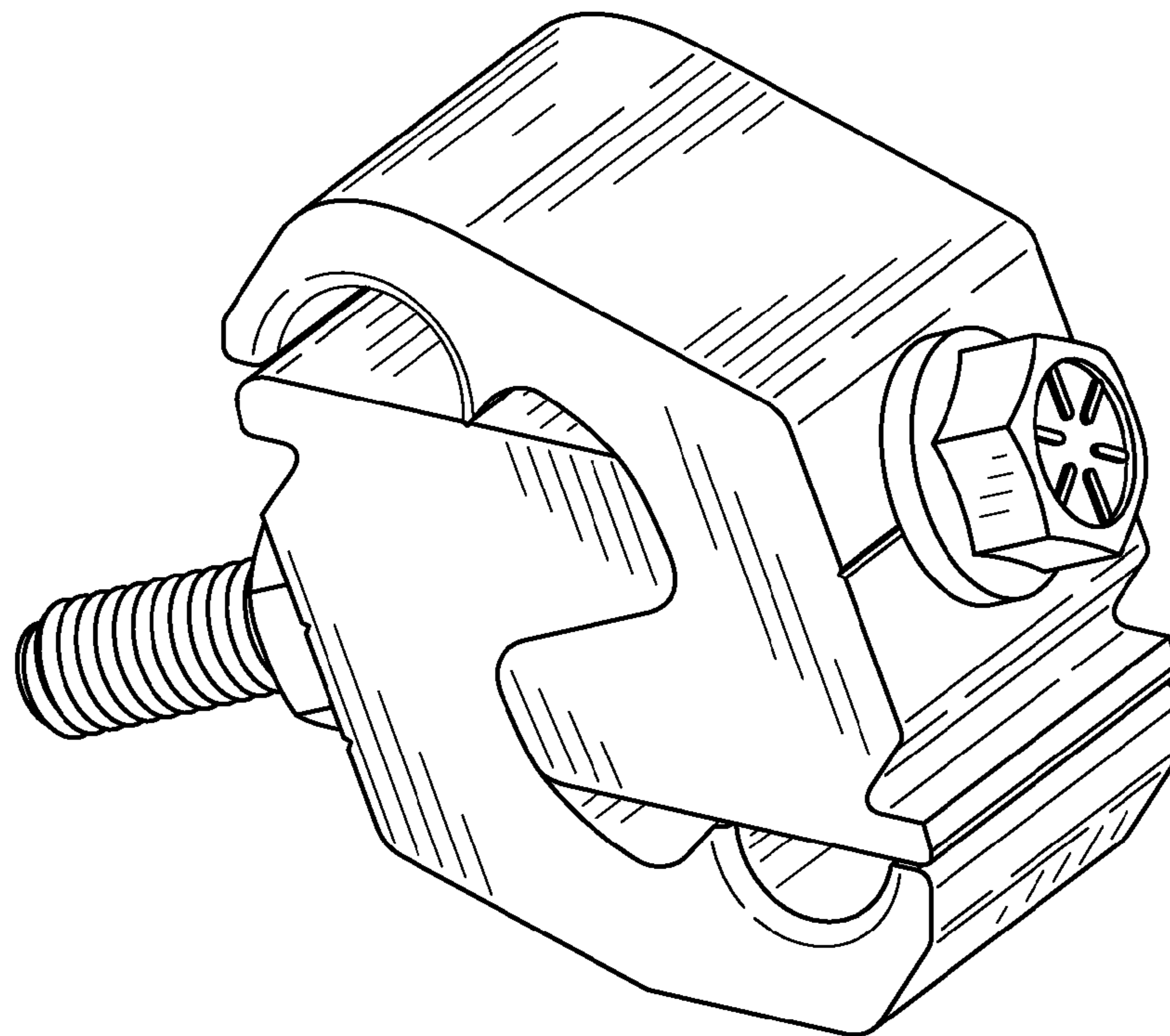
FIG. 4 is a front elevational view thereof.

FIG. 5 is a rear elevational view thereof.

FIG. 6 is a front bottom view thereof; and,

FIG. 7 is a rear bottom view thereof.

1 Claim, 3 Drawing Sheets



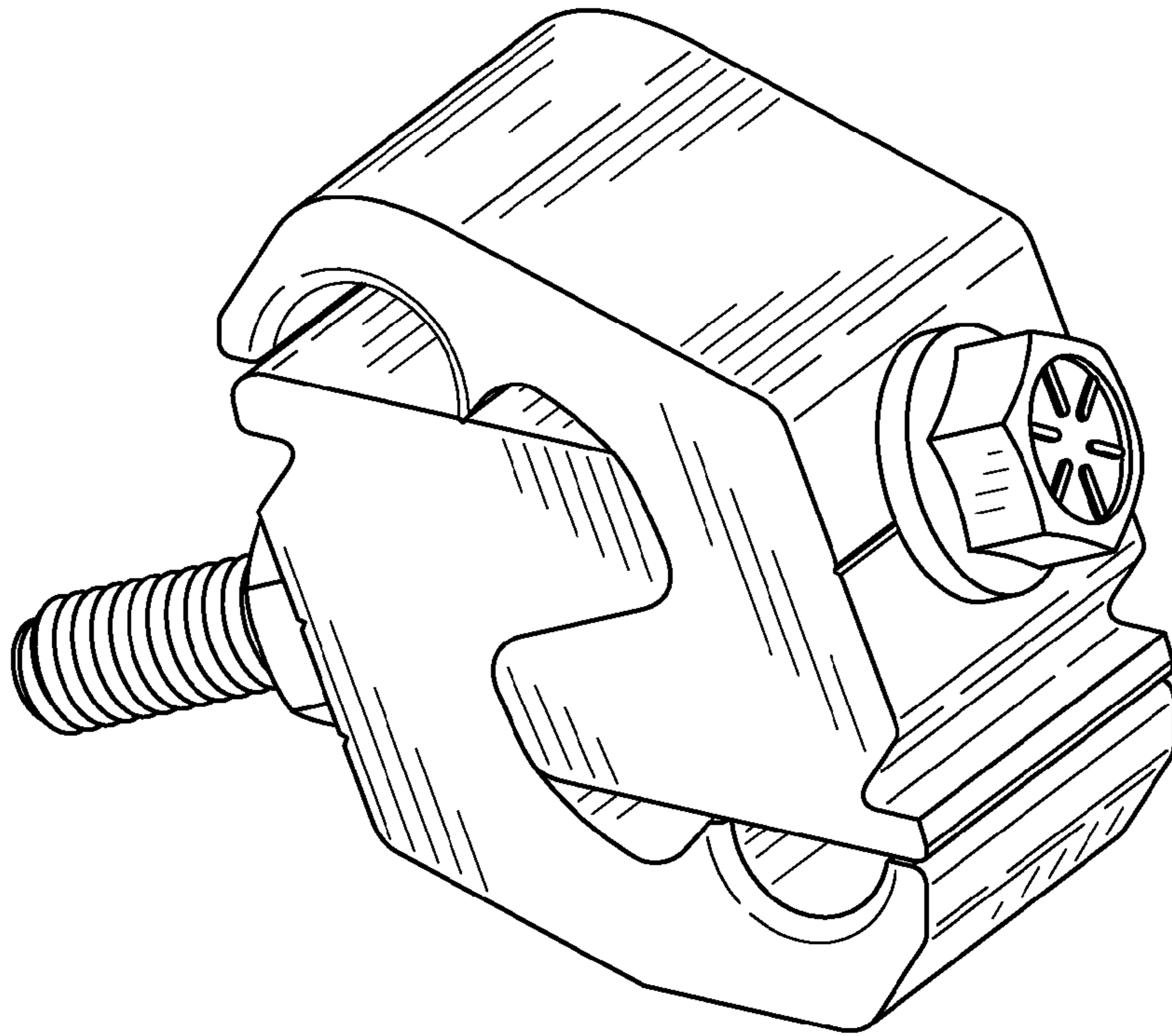


FIG. 1

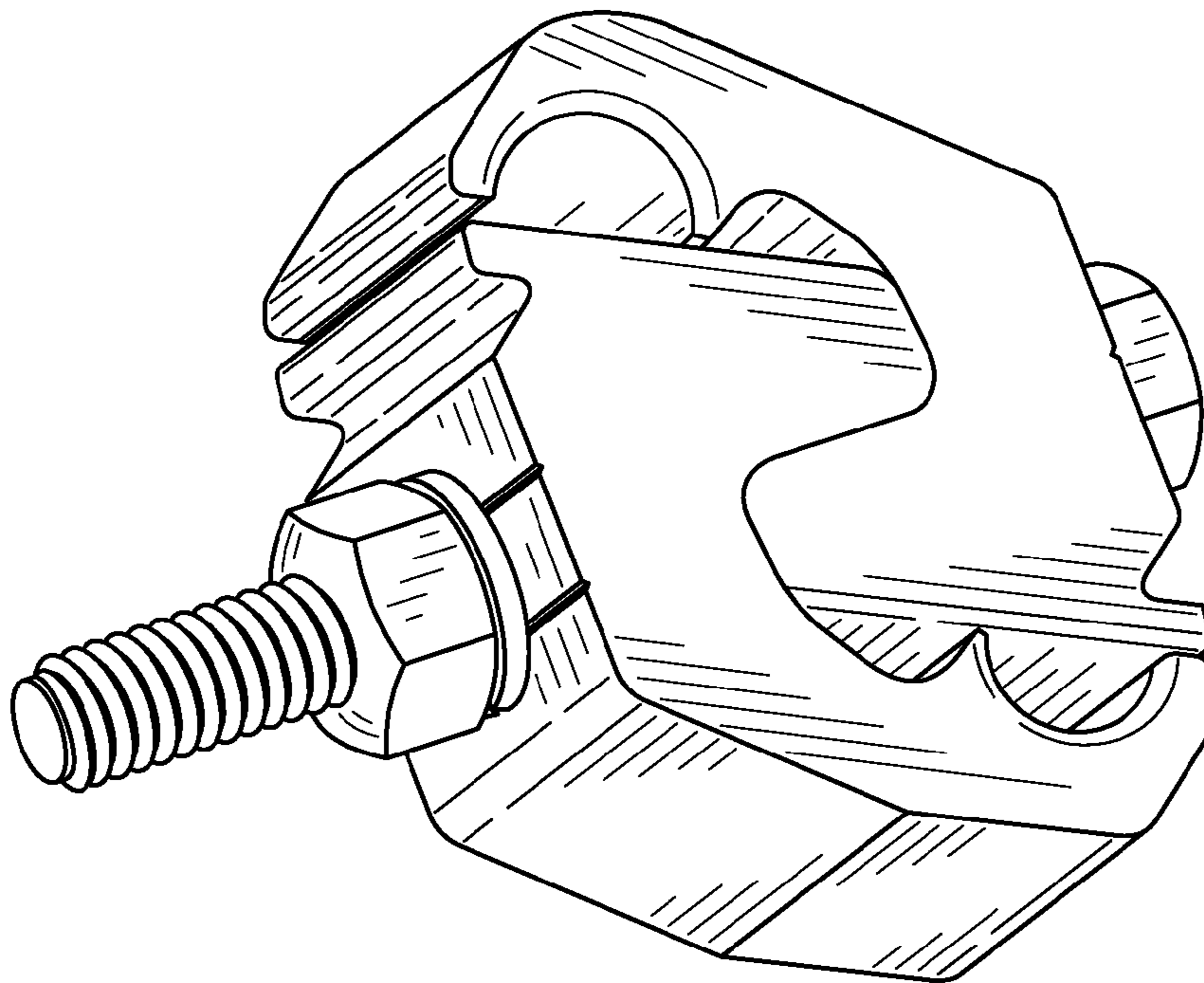


FIG. 2

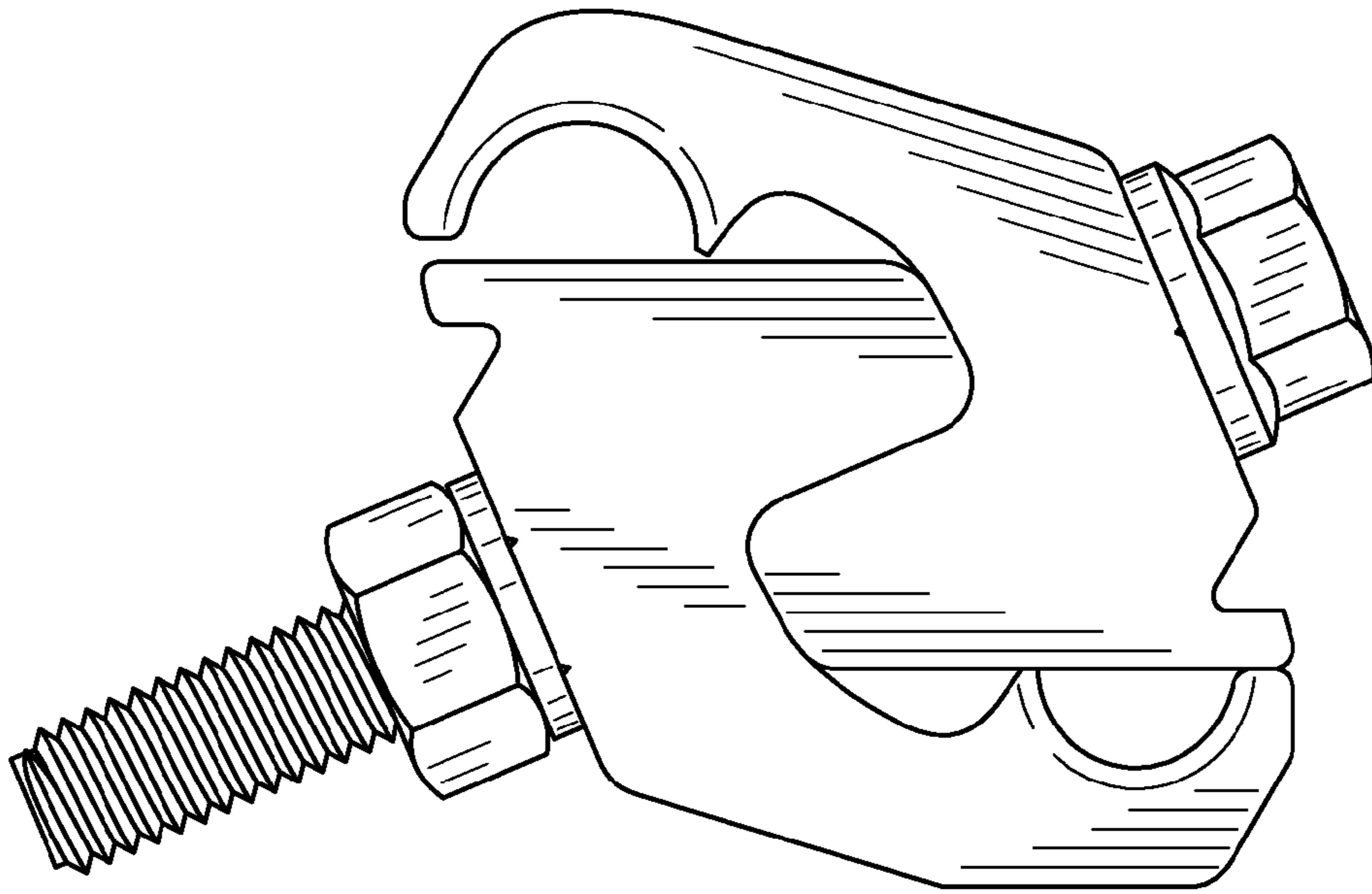


FIG. 3

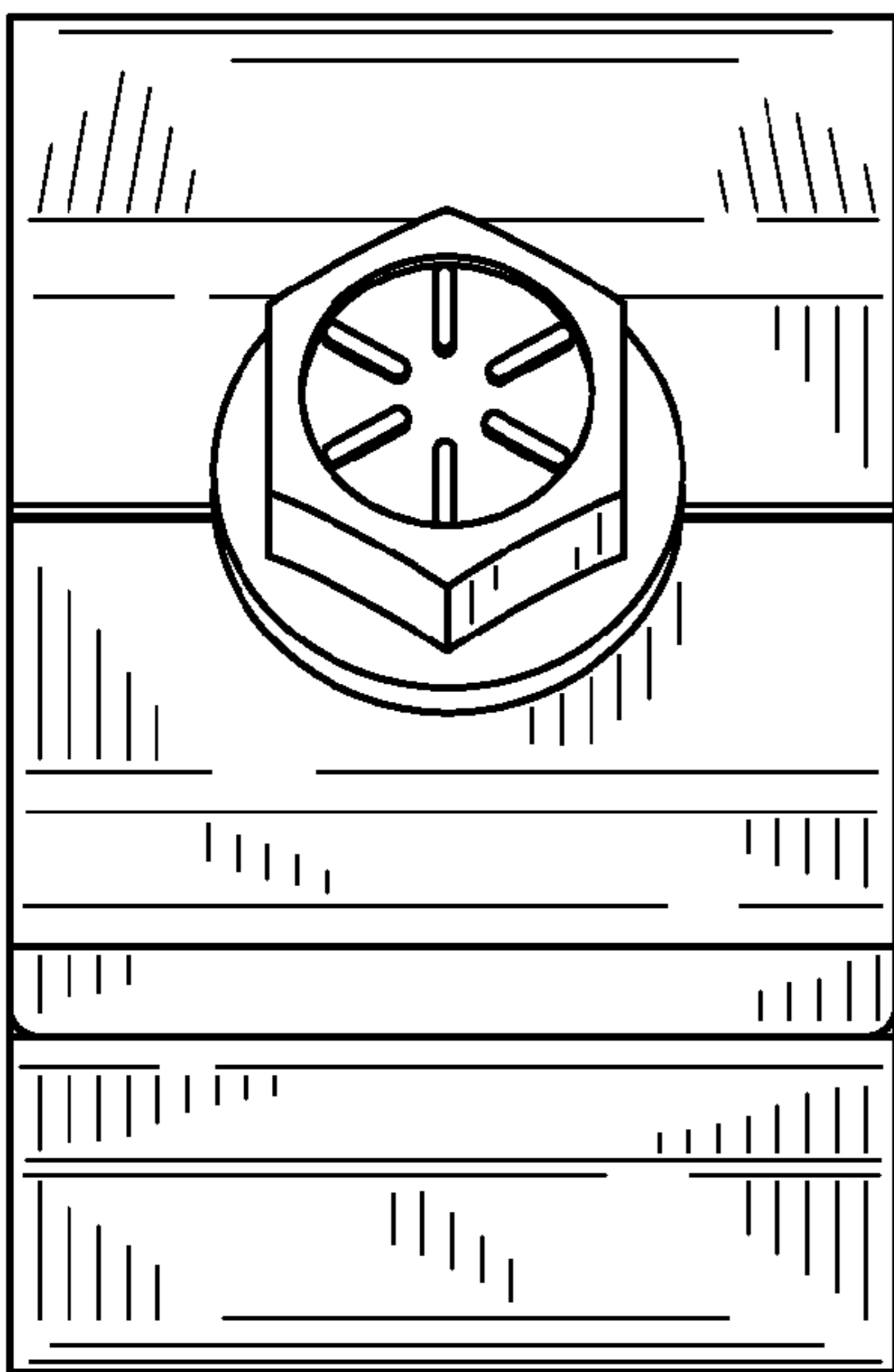


FIG. 4

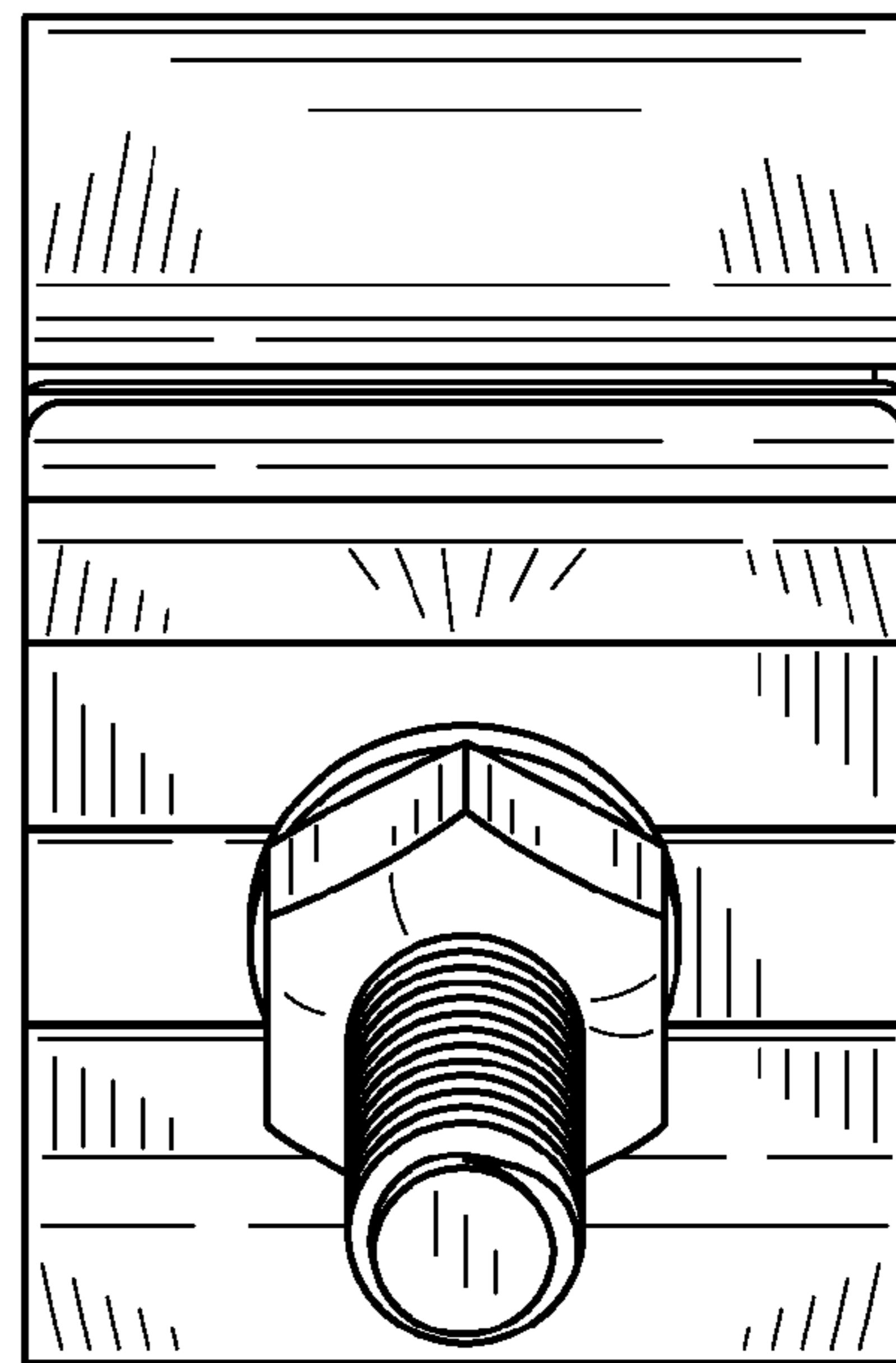


FIG. 5

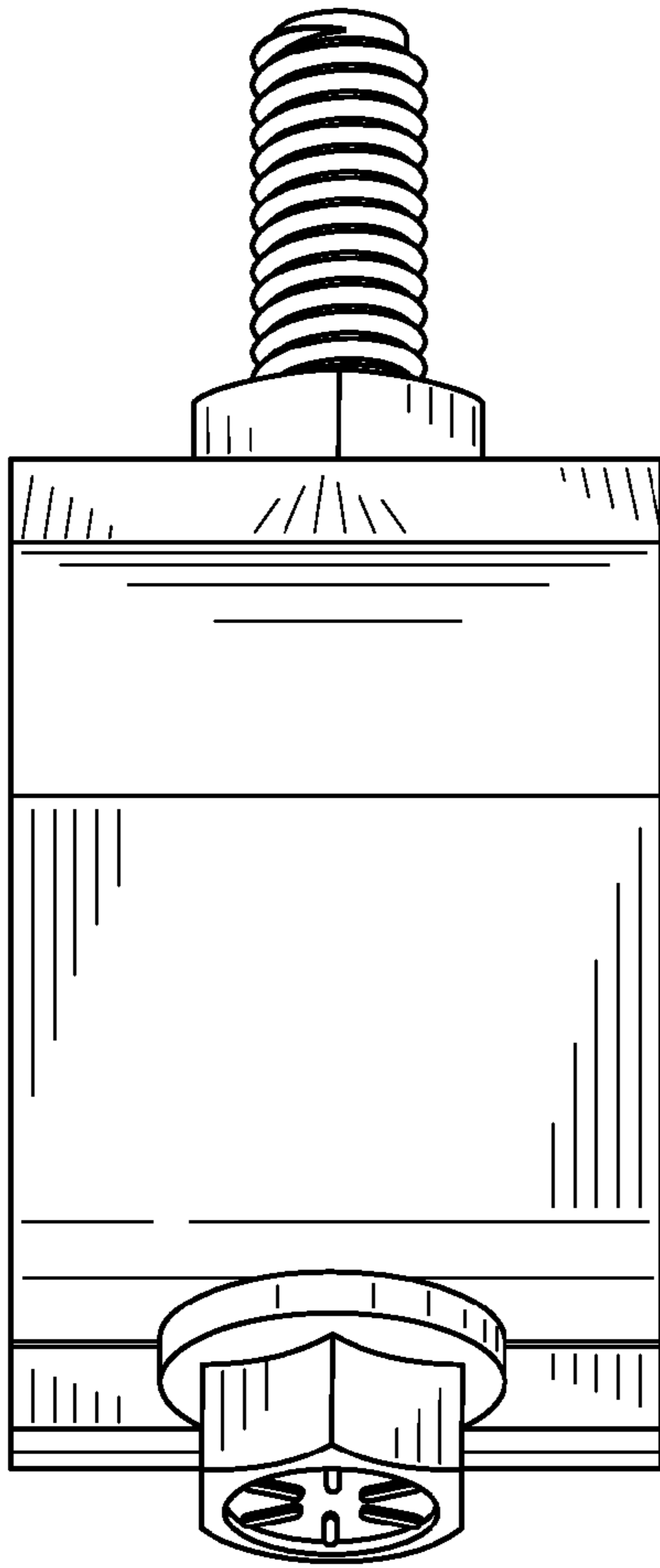


FIG. 6

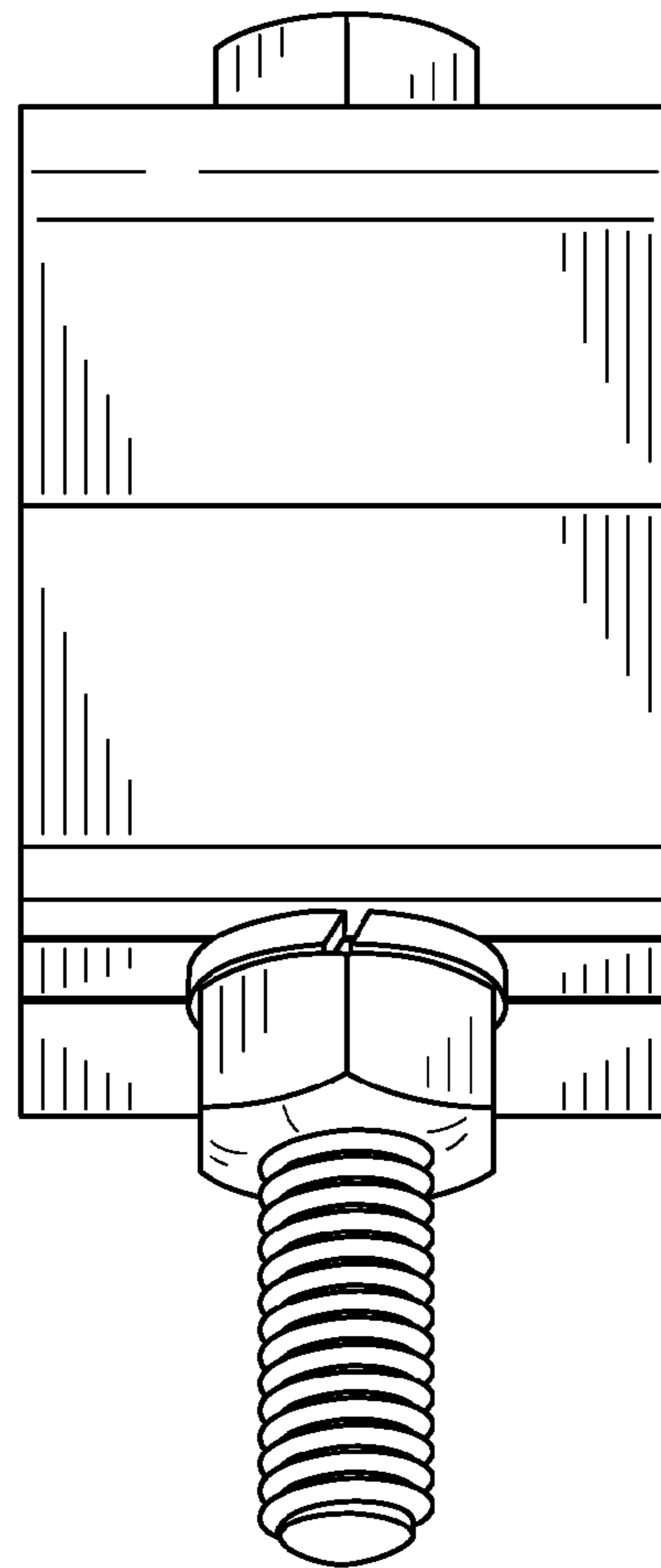


FIG. 7