



US00D599181S

(12) **United States Design Patent**
Baxter

(10) **Patent No.:** **US D599,181 S**
(45) **Date of Patent:** **** Sep. 1, 2009**

(54) **HEATGUN**

D552,443 S * 10/2007 Aglassinger et al. D8/29.1

(75) Inventor: **Mark Baxter**, Whickham (GB)

FOREIGN PATENT DOCUMENTS

(73) Assignee: **Black & Decker Inc.**, Newark, DE (US)

DE	M9701440	7/1997
DE	MR49812295	12/1998
EM	000260401-0001	2/2005
WO	DM047826	3/1999
WO	DM40401733.9	2/2005
WO	DM40702969.9	8/2007

(**) Term: **14 Years**

(21) Appl. No.: **29/324,957**

(22) Filed: **Sep. 24, 2008**

* cited by examiner

(30) **Foreign Application Priority Data**

Primary Examiner—Philip S Hyder

Mar. 28, 2008 (EM) 000905302-0003

(74) *Attorney, Agent, or Firm*—Wesley W. Muller

(51) **LOC (9) Cl.** **08-05**

(57) **CLAIM**

(52) **U.S. Cl.** **D8/29.1**

The ornamental design for a heatgun, as shown and described.

(58) **Field of Classification Search** D8/29.1;

DESCRIPTION

D28/13; 219/221, 222, 225, 227; 392/380,
392/381, 382, 383, 384

FIG. 1 is a front perspective view of a heatgun according to the present invention;

See application file for complete search history.

FIG. 2 is a right side view of the heatgun of FIG. 1;

(56) **References Cited**

U.S. PATENT DOCUMENTS

D288,841 S	*	3/1987	Steinel et al.	D23/332
D296,070 S	*	6/1988	Cunningham	D8/29.1
D388,297 S	*	12/1997	Buttenbender	D8/29.1
D388,298 S	*	12/1997	Jerdee et al.	D8/29.1
D457,044 S	*	5/2002	Cheng	D8/29.1
D481,277 S	*	10/2003	Waldron	D8/29.1
D516,883 S		3/2006	Popov et al.		

FIG. 3 is a left side view of the heatgun of FIG. 1;

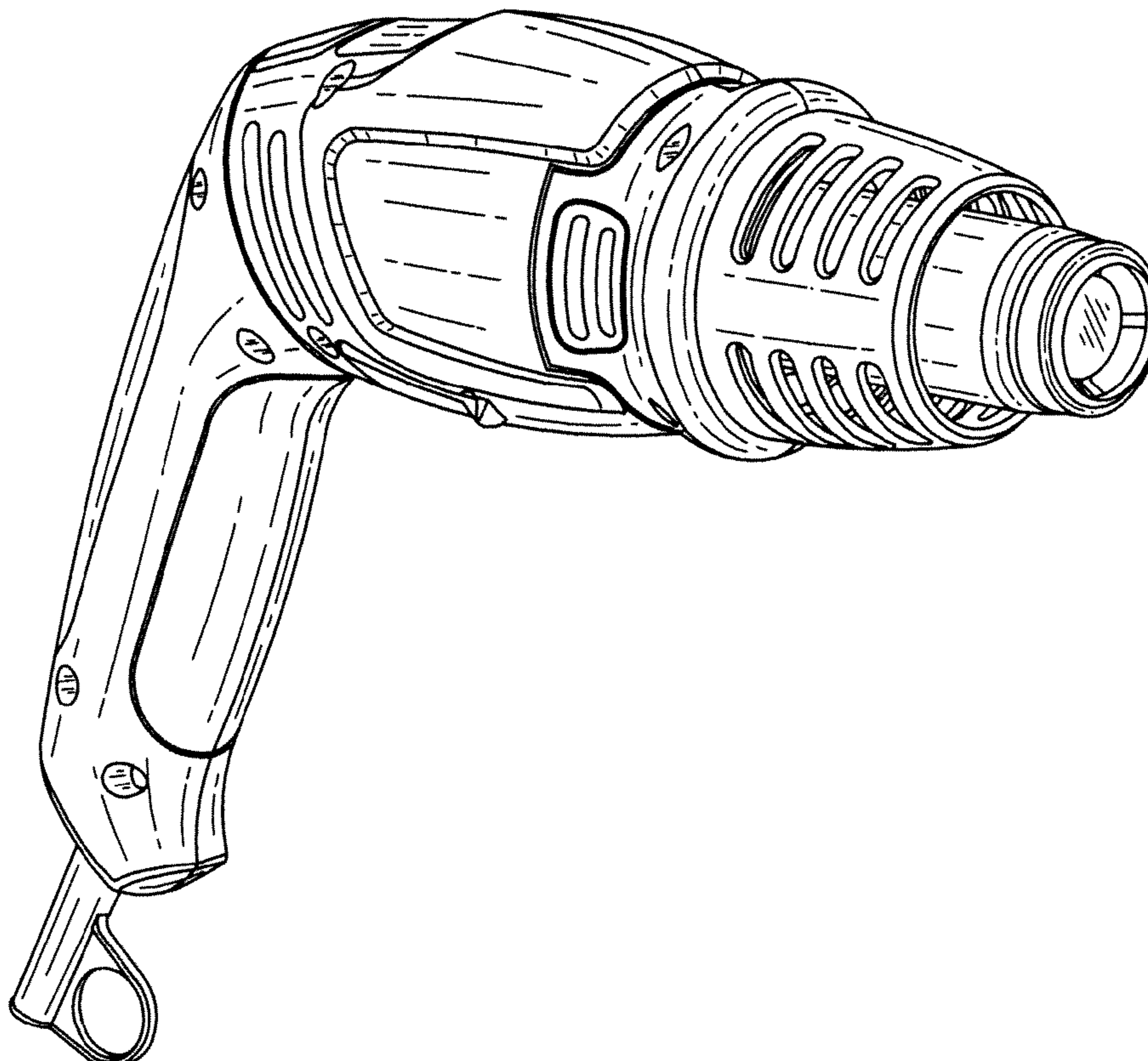
FIG. 4 is a top view of the heatgun of FIG. 1;

FIG. 5 is a bottom view of the heatgun of FIG. 1;

FIG. 6 is a front view of the heatgun of FIG. 1; and,

FIG. 7 is a rear view of the heatgun of FIG. 1.

1 Claim, 5 Drawing Sheets



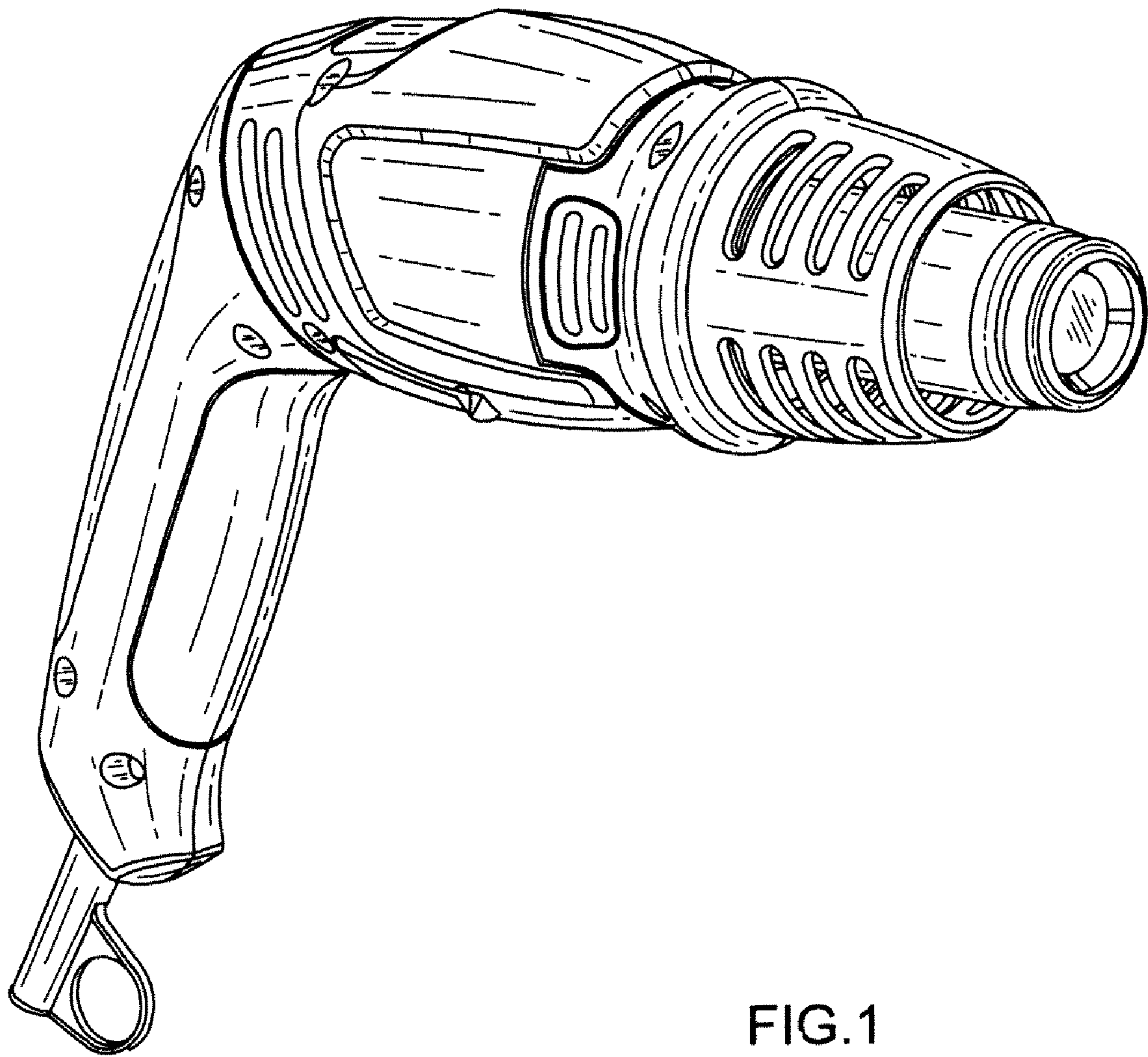


FIG. 1

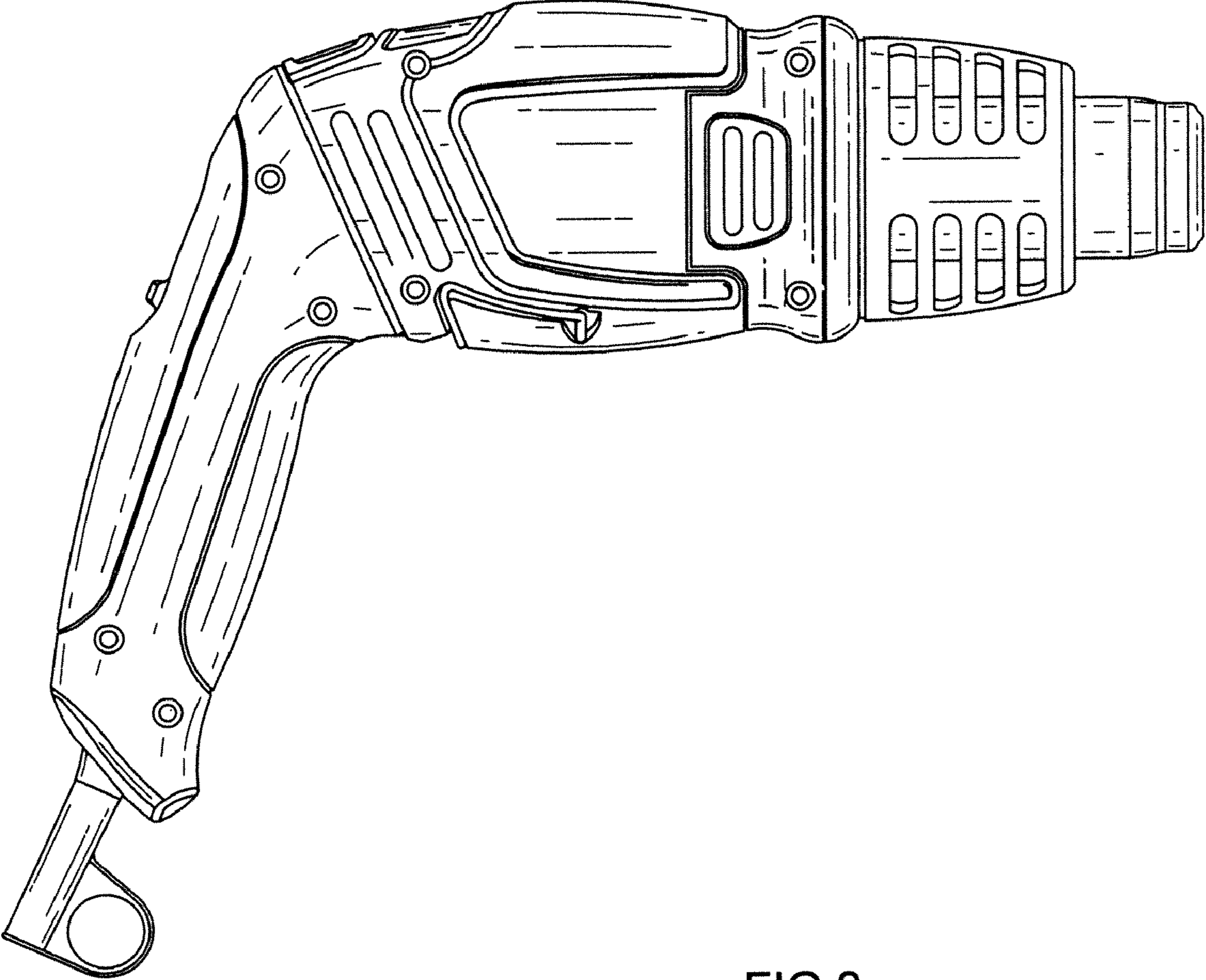


FIG.2

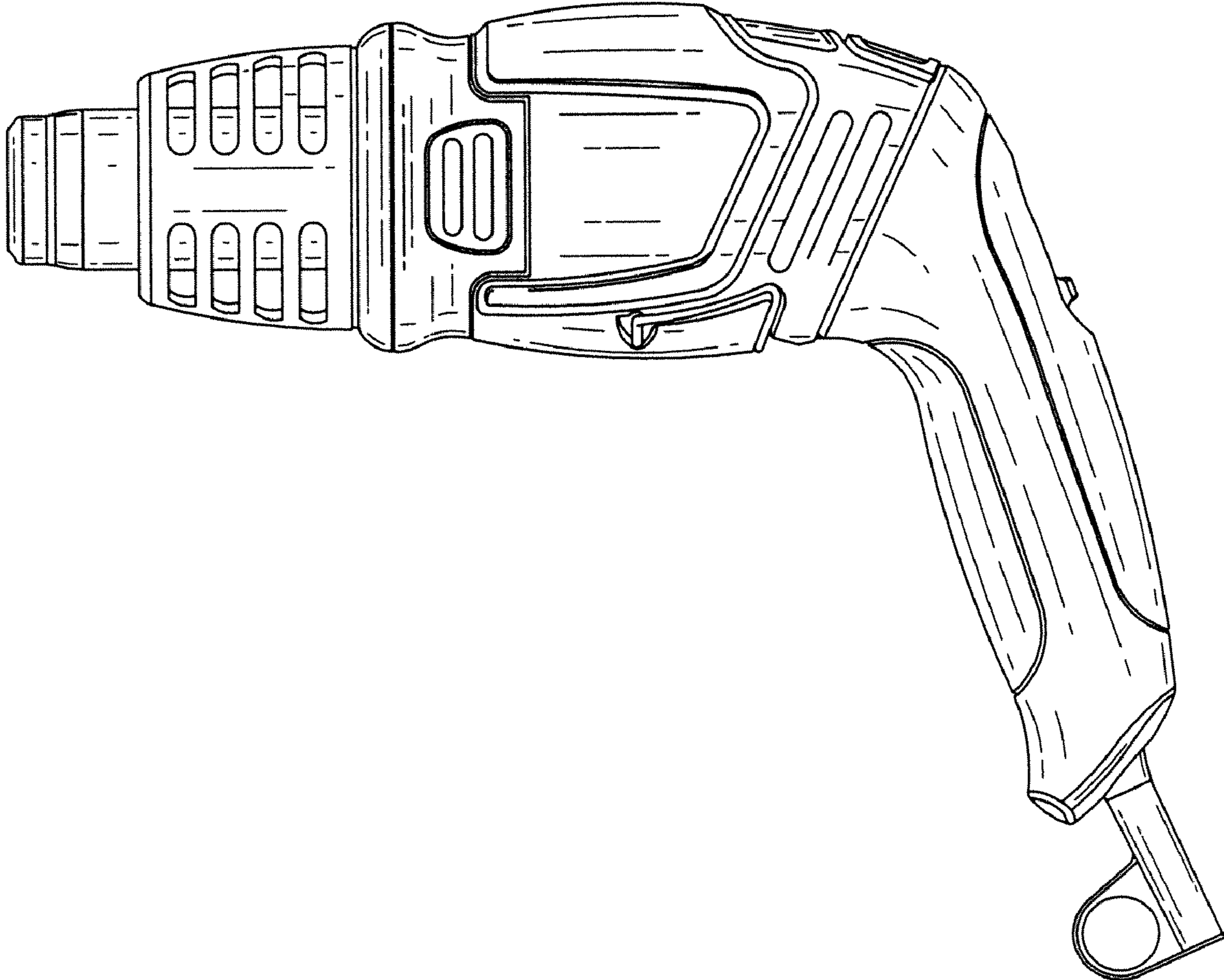


FIG.3

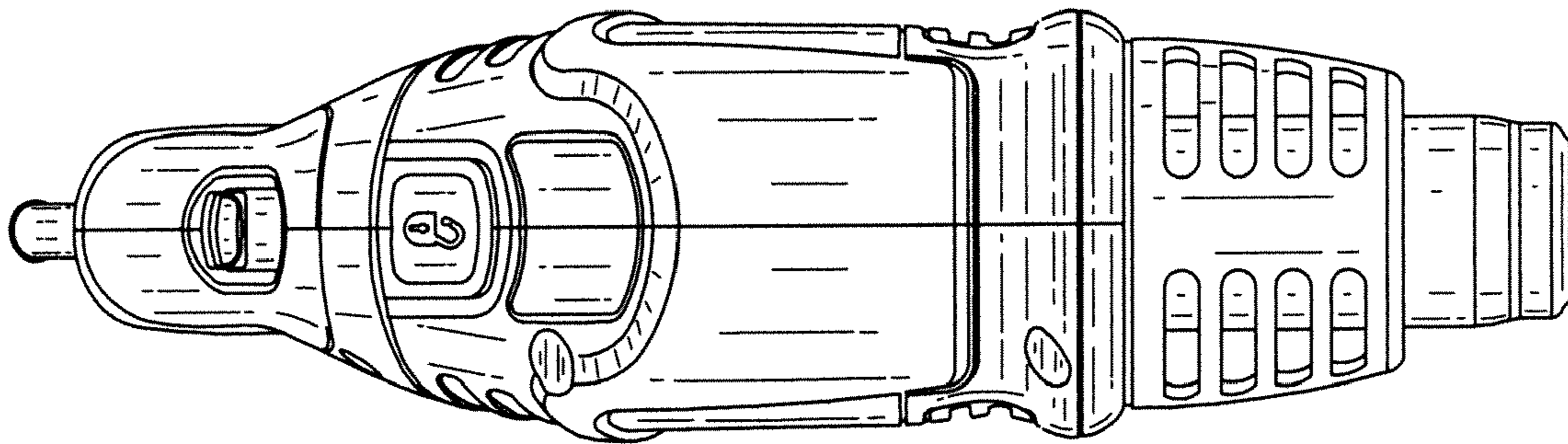


FIG. 4

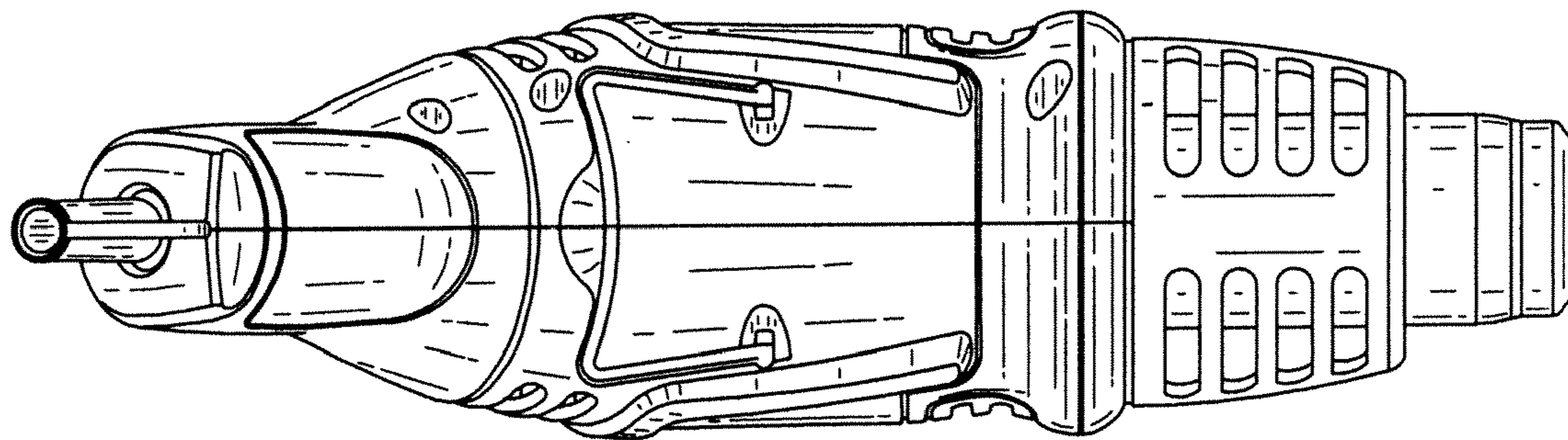


FIG. 5

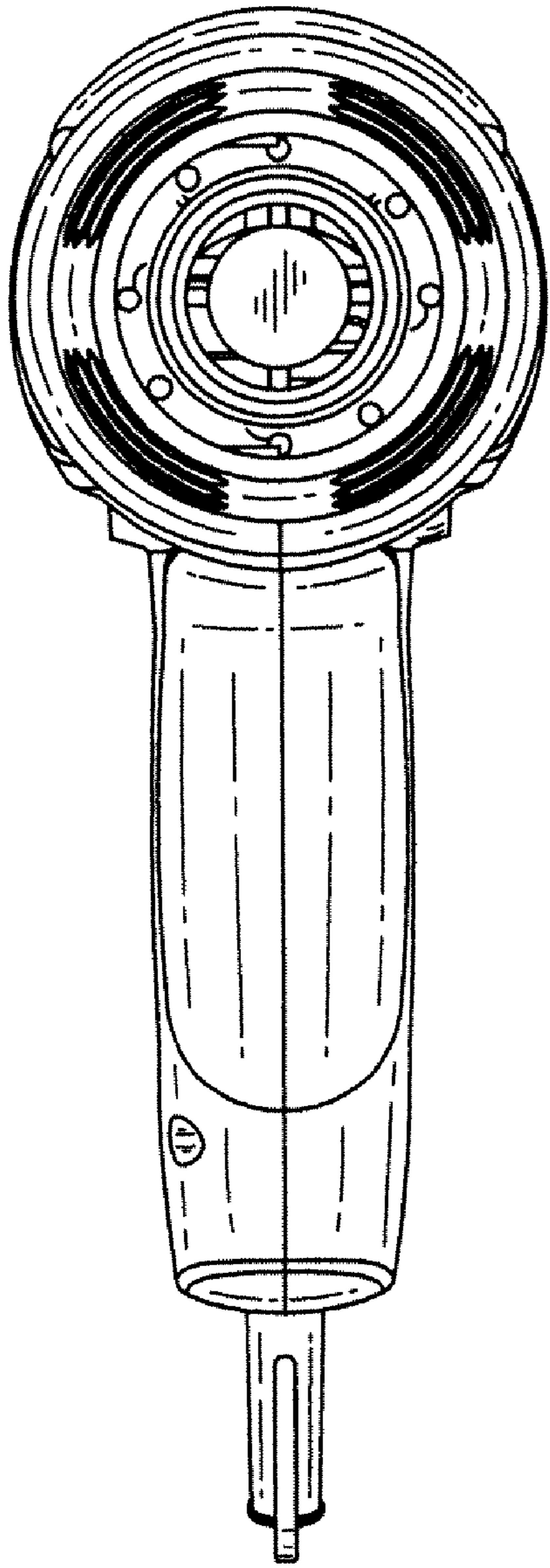


FIG. 6

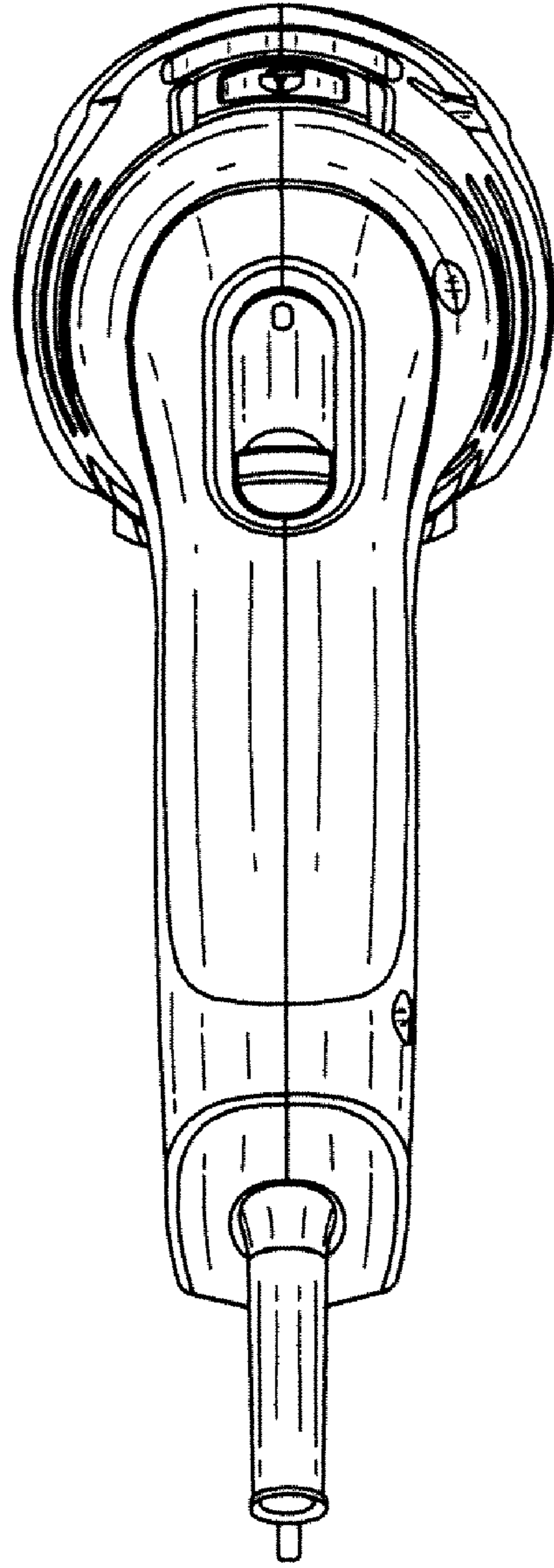


FIG. 7