



US00D599177S

(12) **United States Design Patent**
Vlahos

(10) **Patent No.:** **US D599,177 S**
(45) **Date of Patent:** **** Sep. 1, 2009**

(54) **PAIR OF CORN COB HOLDERS**

2007/0257049 A1 11/2007 Tolan

(76) Inventor: **Stephanie Vlahos**, P.O. Box 6546, San Mateo, CA (US) 94403

* cited by examiner

(**) Term: **14 Years**

Primary Examiner—Terry A Wallace

(21) Appl. No.: **29/329,637**

(74) *Attorney, Agent, or Firm*—Buchanan Ingersoll & Rooney, PC

(22) Filed: **Dec. 18, 2008**

(57) **CLAIM**

Related U.S. Application Data

The ornamental design for a pair of corn cob holders, as shown and described.

(63) Continuation of application No. 29/318,323, filed on May 16, 2008, now abandoned.

DESCRIPTION

(51) **LOC (9) Cl.** **07-06**

FIG. 1 is a perspective view of a pair of corn cob holders.

(52) **U.S. Cl.** **D7/683**

FIG. 2 is another perspective view of the pair of corn cob holders of FIG. 1.

(58) **Field of Classification Search** D7/683,
D7/669, 368; D26/72, 67, 85; 294/1.1, 5,
294/8, 61, 55.5; 99/419, 421 A, 421 R
See application file for complete search history.

FIG. 3 is a side view of the pair of corn cob holders of FIG. 1.

FIG. 4 is a another side view of the pair of corn cob holders of FIG. 1.

FIG. 5 is a top view of the pair of corn cob holders of FIG. 1; and,

(56) **References Cited**

U.S. PATENT DOCUMENTS

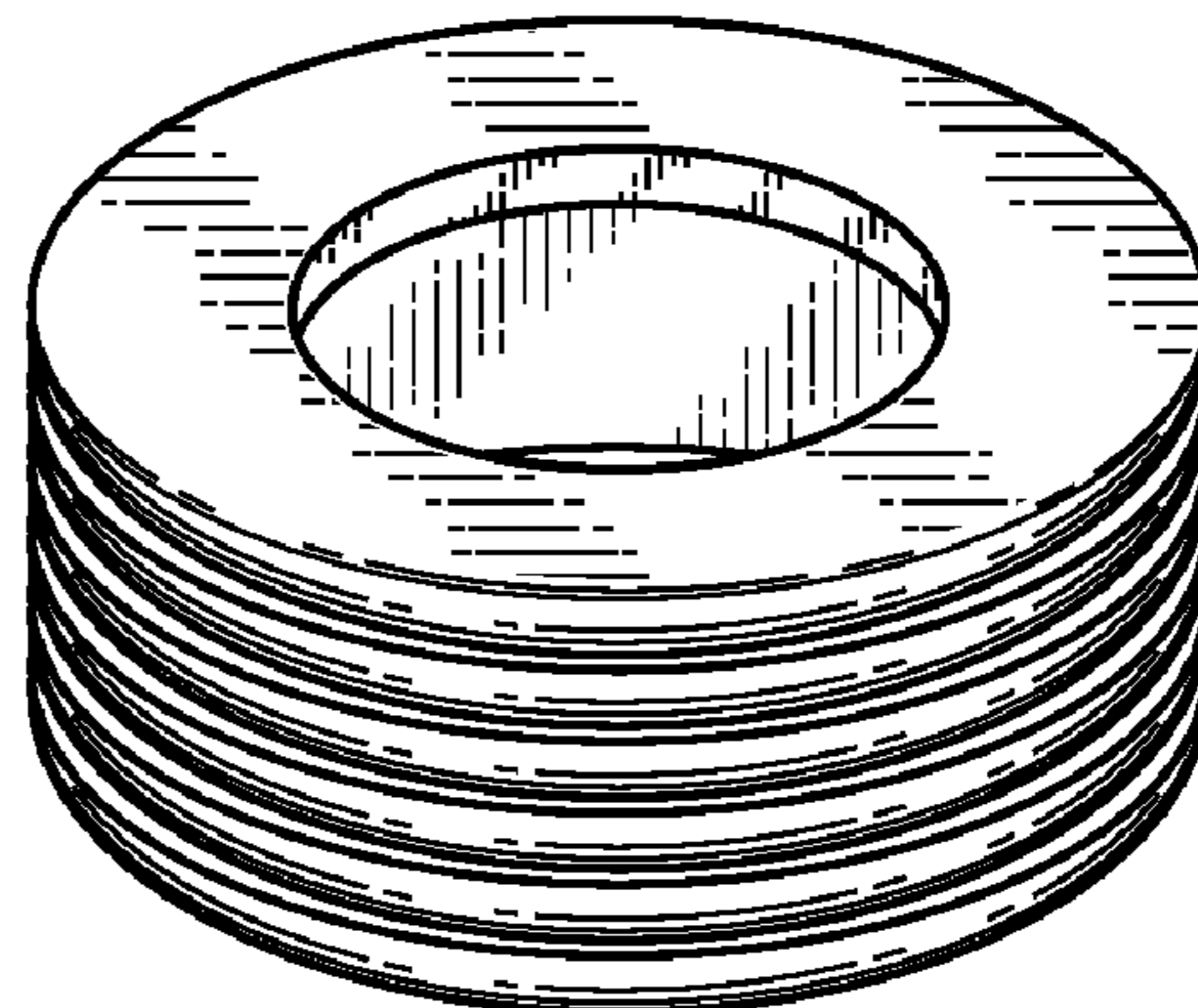
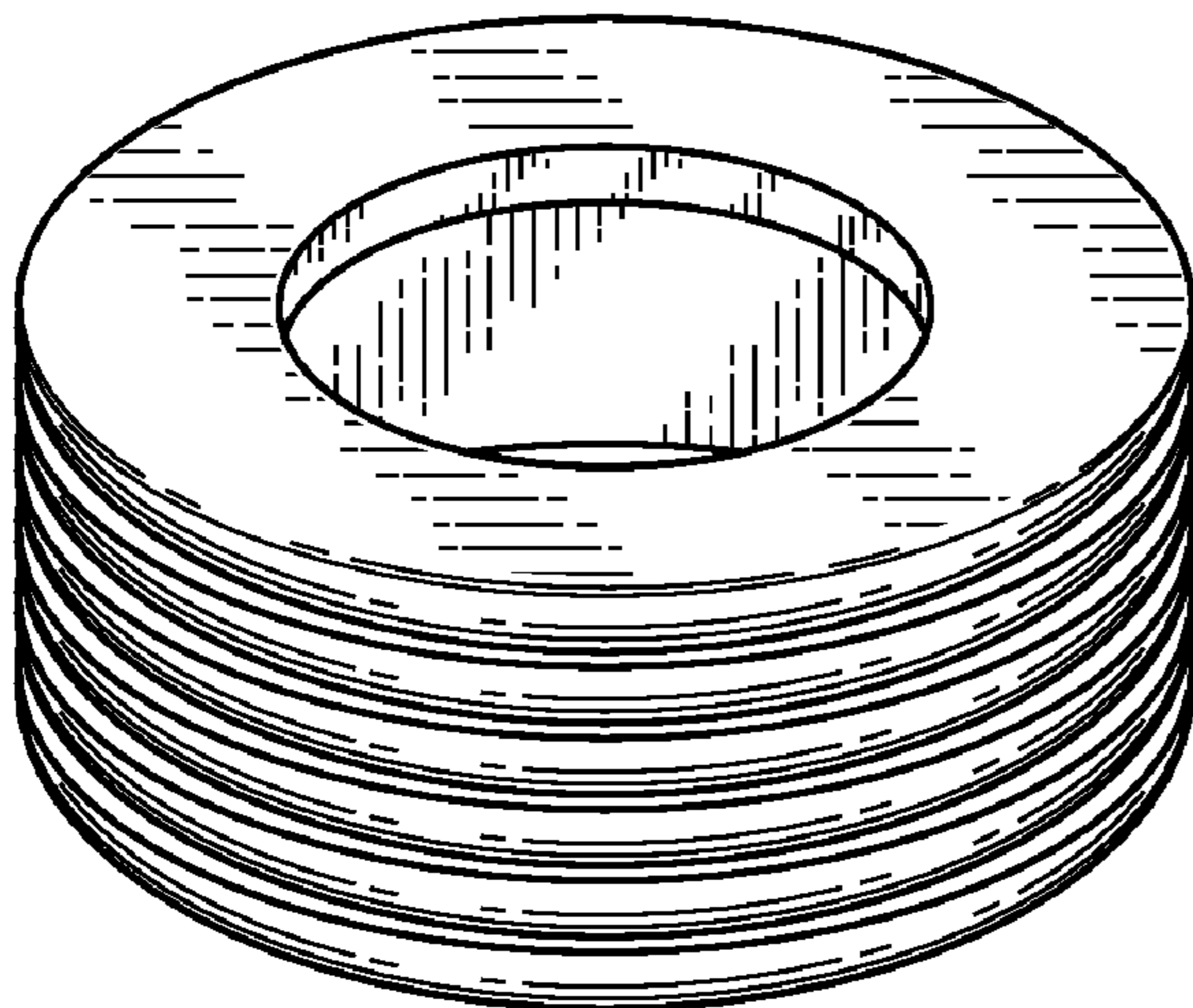
FIG. 6 is a bottom view of the pair of corn cob holders of FIG. 1.

1,920,995 A	8/1933	Legge	
2,192,415 A	3/1940	Schwarzenzer	
4,589,619 A	5/1986	Forbes, Jr.	
5,566,997 A *	10/1996	Lin	294/5
D397,482 S *	8/1998	Binsukor	D26/85
D400,278 S *	10/1998	Binsukor	D26/67
D402,501 S	12/1998	Powers	
D497,447 S *	10/2004	Yoneda	D26/72
2007/0131699 A1	6/2007	Pellegrino	

The surface shading illustrated in the drawings is provided merely to highlight the contour of design; it is not intended to be illustrative of texture or gloss.

The broken lines showing the corn cob are for illustrative purposes only and form no part of the claimed design.

1 Claim, 4 Drawing Sheets



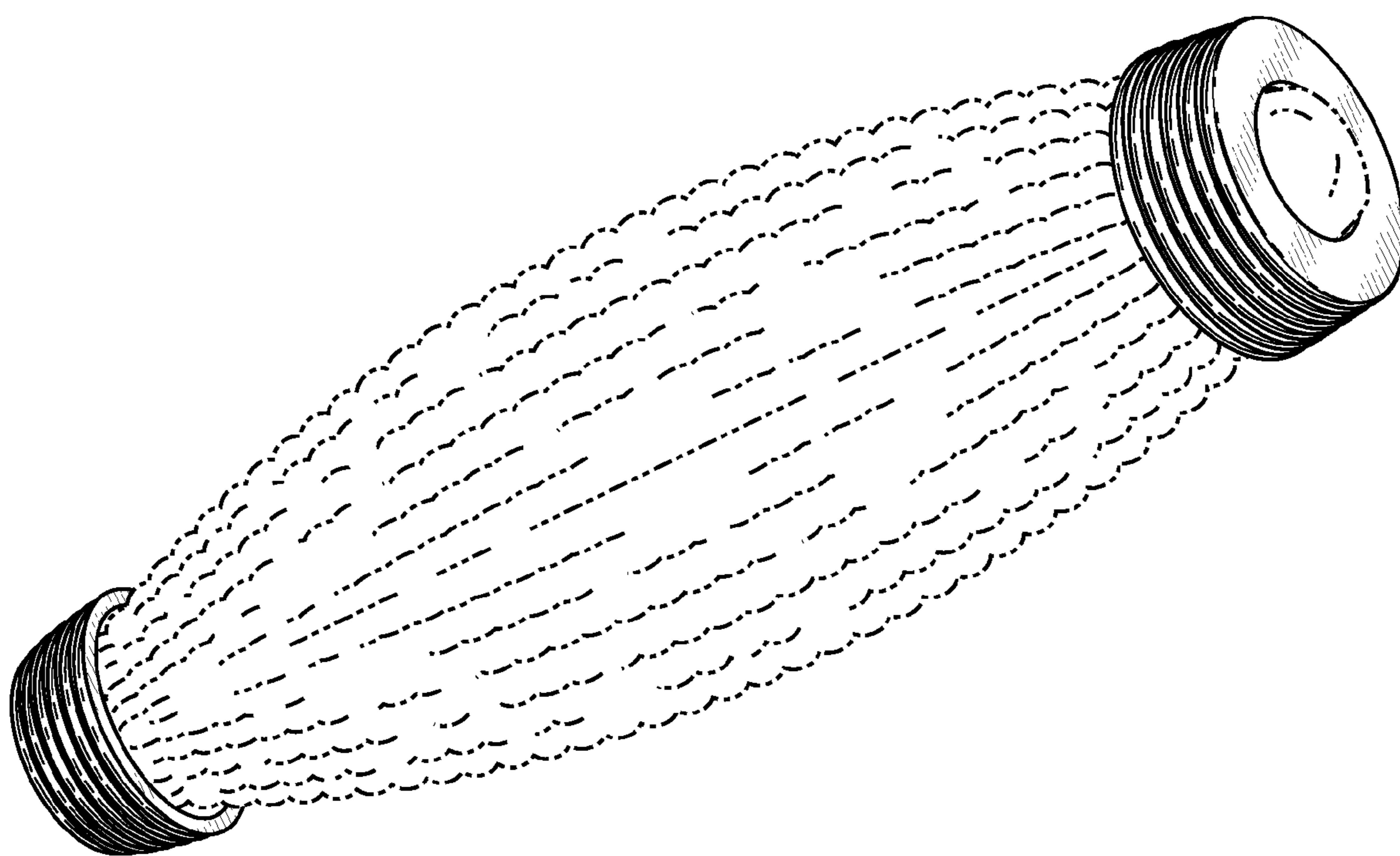


FIG. 1

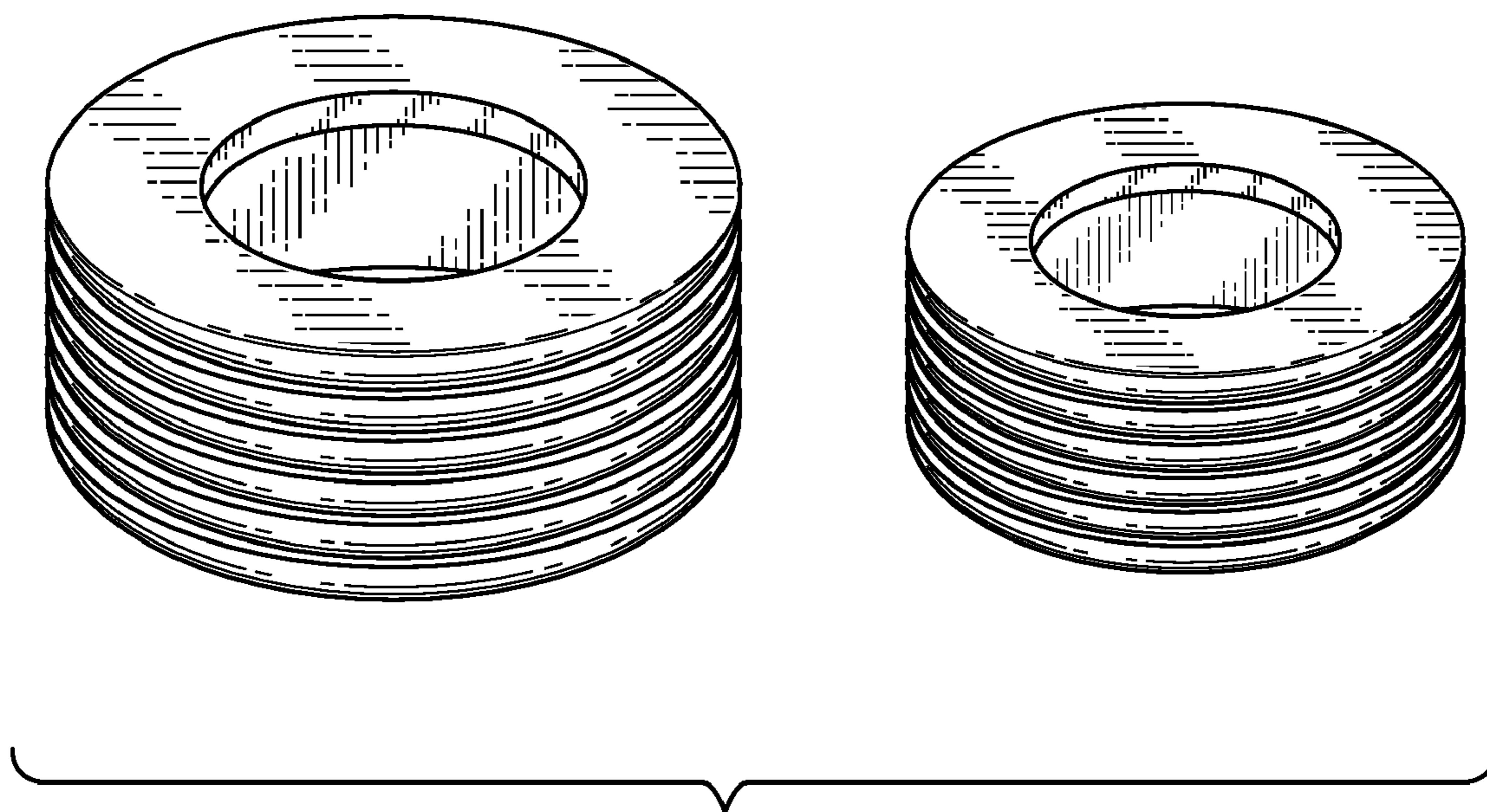


FIG. 2

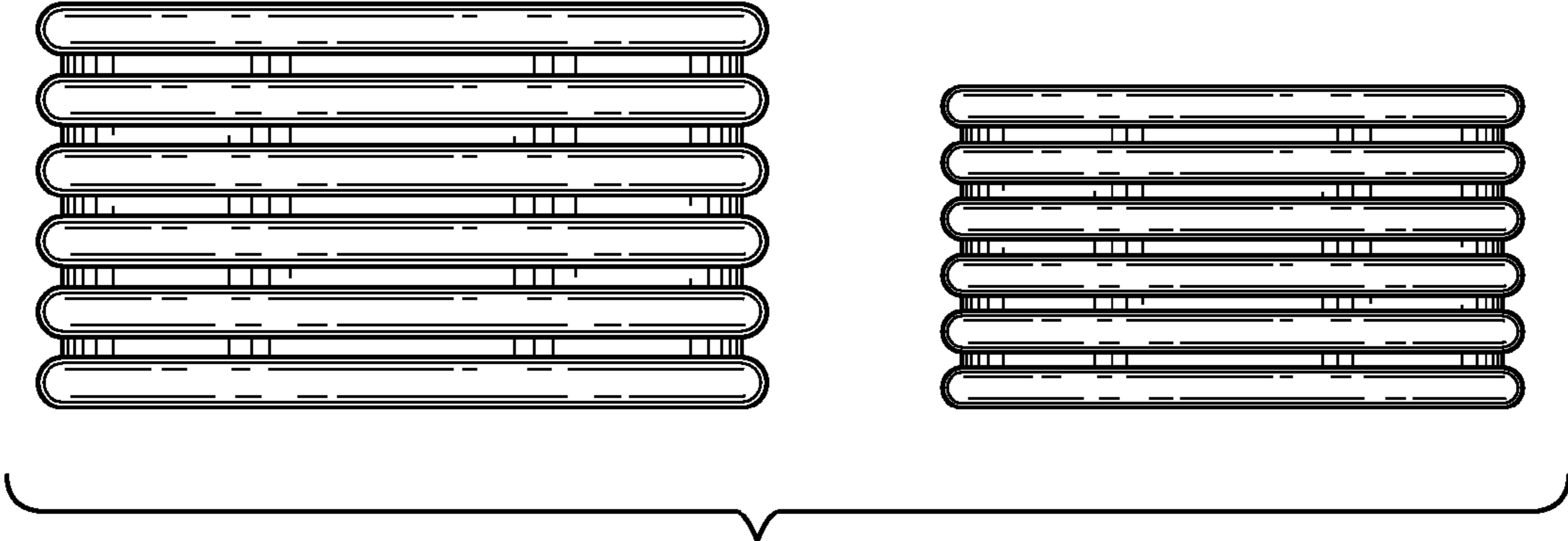


FIG. 3

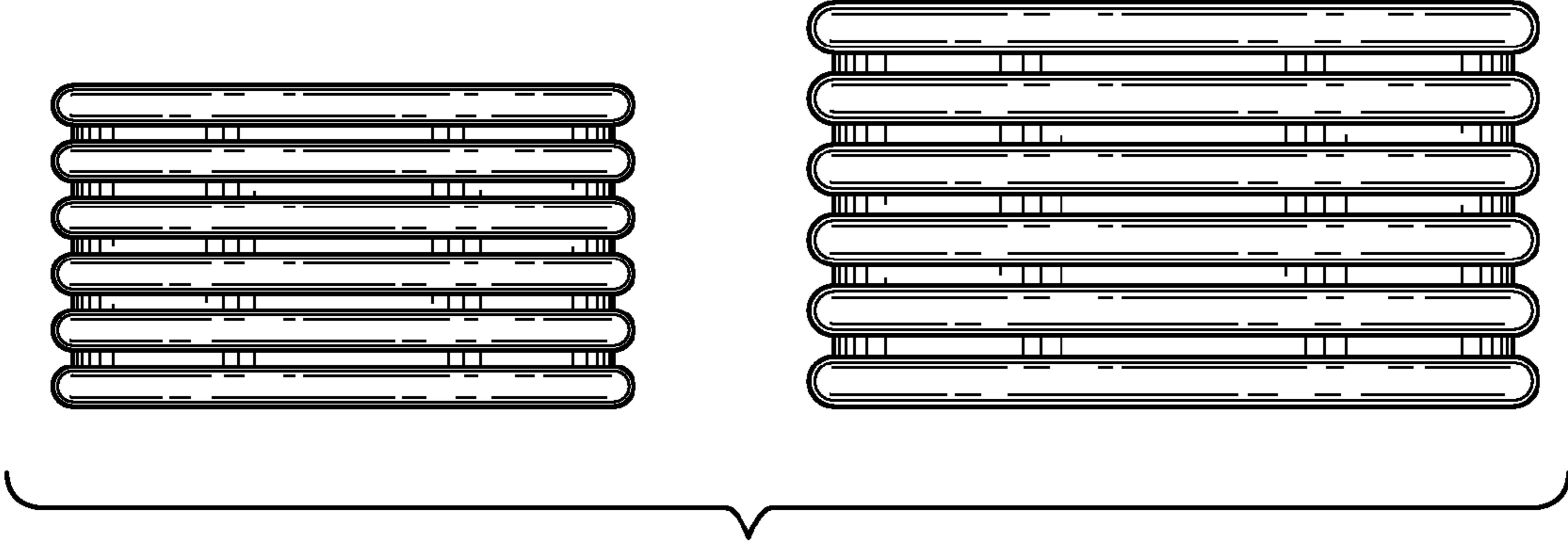


FIG. 4

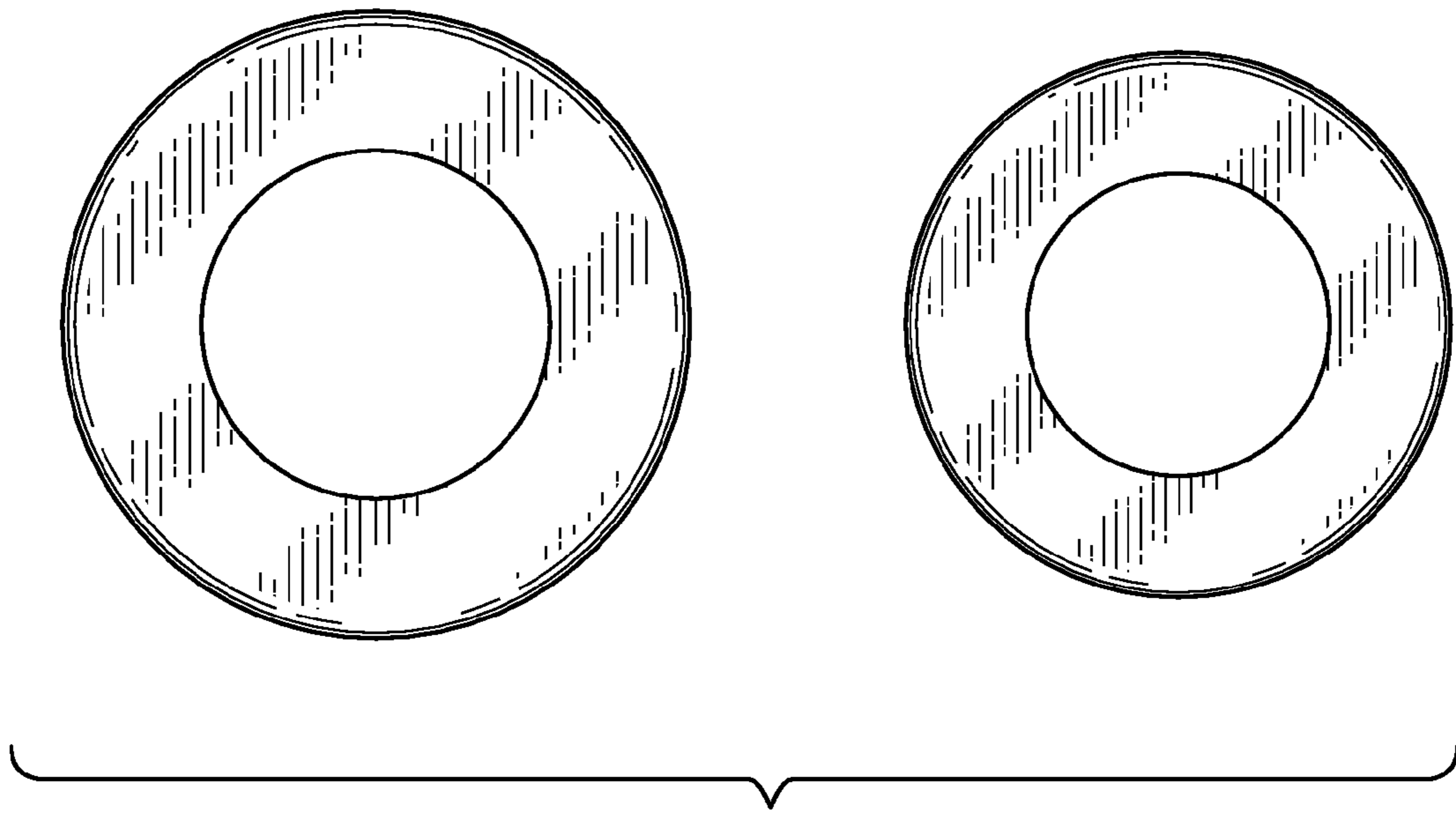


FIG. 5

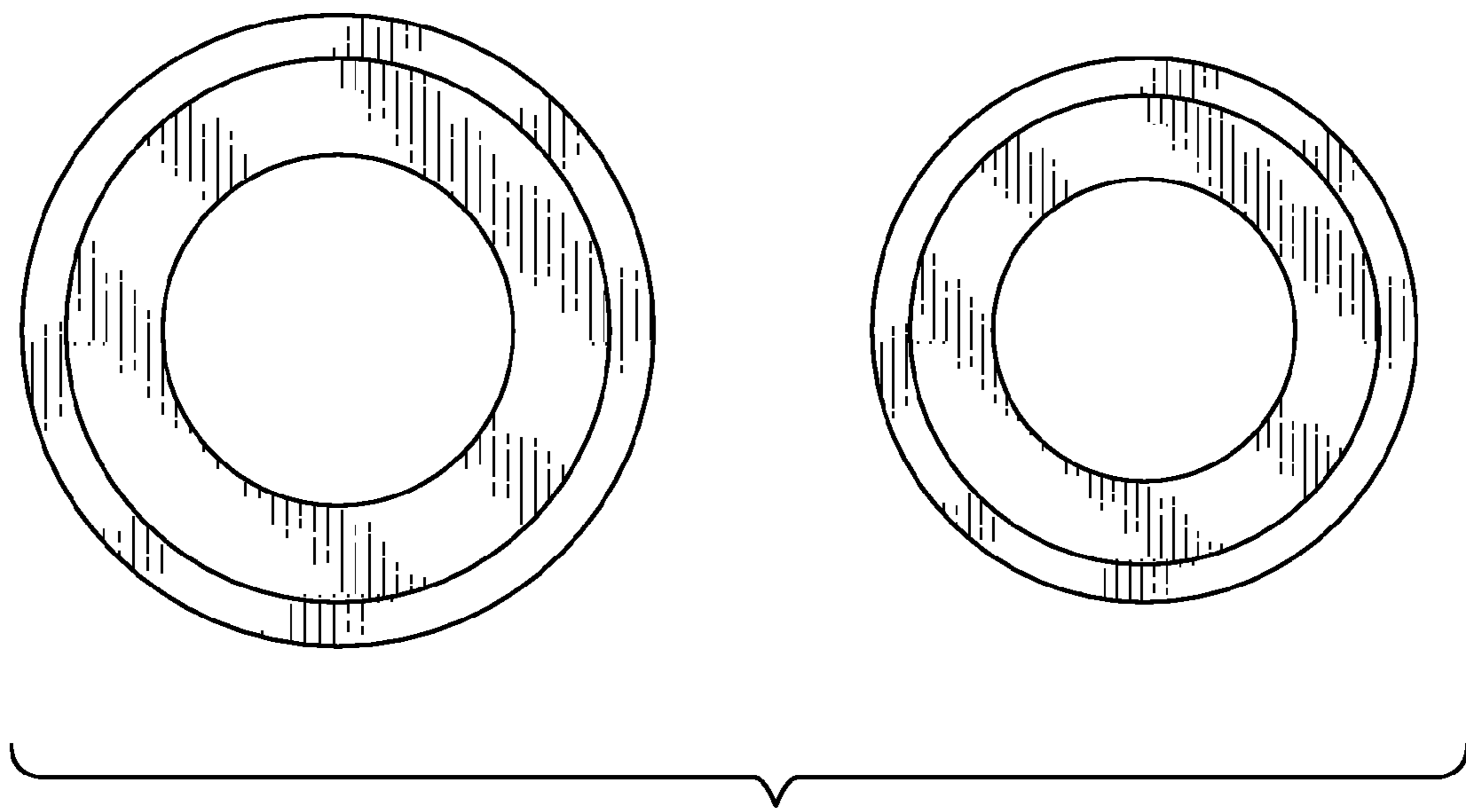


FIG. 6