

US00D599176S

(12) **United States Design Patent**  
**Seehoff et al.**

(10) **Patent No.:** **US D599,176 S**

(45) **Date of Patent:** **\*\* Sep. 1, 2009**

(54) **BAGEL SLICER**

(75) Inventors: **Gary Seehoff**, Encino, CA (US); **Bryan Golden**, Ventura, CA (US)

(73) Assignee: **Evrholder Products LLC**, Anaheim, CA (US)

(\*\*) Term: **14 Years**

(21) Appl. No.: **29/317,688**

(22) Filed: **May 5, 2008**

(51) **LOC (9) Cl.** ..... **07-04**

(52) **U.S. Cl.** ..... **D7/672**

(58) **Field of Classification Search** ..... D7/672-677,  
D7/693, 601; 269/87.2, 295; 83/762, 870,  
83/452, 454, 932, 743, 745, 574, 875-878;  
99/537, 539, 543, 567

See application file for complete search history.

(56) **References Cited**

**U.S. PATENT DOCUMENTS**

D377,297 S \* 1/1997 Thompson ..... D7/673

D378,972 S \* 4/1997 Hug et al. .... D7/381  
D379,907 S \* 6/1997 Israeli ..... D7/673  
D381,867 S \* 8/1997 Jeppesen et al. .... D7/401.1  
5,819,629 A \* 10/1998 Sarich ..... 83/762  
6,543,322 B2 \* 4/2003 Skoko ..... 83/762

\* cited by examiner

*Primary Examiner*—Terry A Wallace

(57) **CLAIM**

The ornamental design for a bagel slicer, as shown and described.

**DESCRIPTION**

FIG. 1 illustrates a front view of the claimed design for a bagel slicer;

FIG. 2 illustrates a top view thereof;

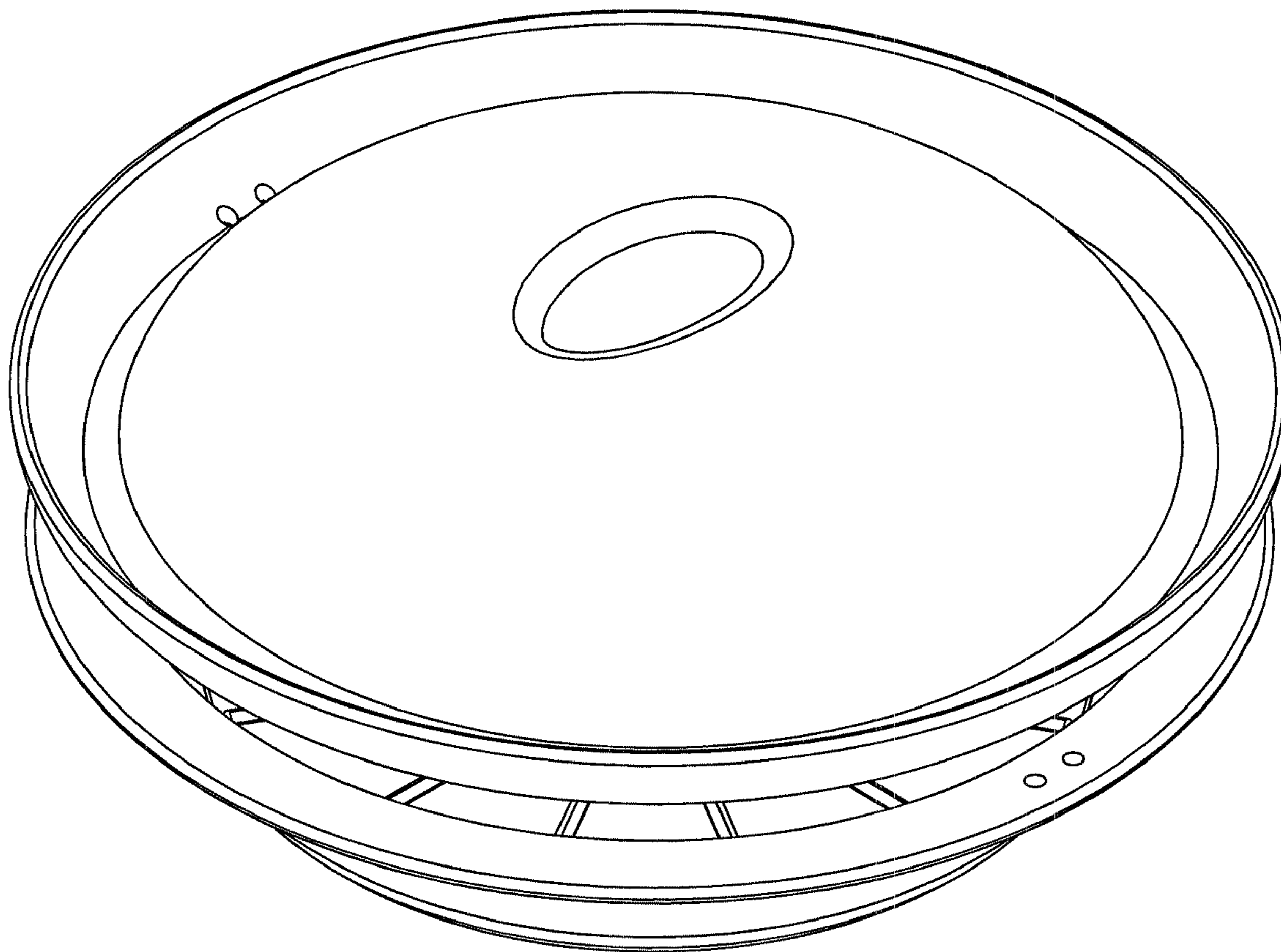
FIG. 3 illustrates a bottom view thereof;

FIG. 4 illustrates an internal sectional view thereof;

FIG. 5 illustrates a bottom perspective view thereof; and,

FIG. 6 illustrates a top perspective view thereof.

**1 Claim, 6 Drawing Sheets**



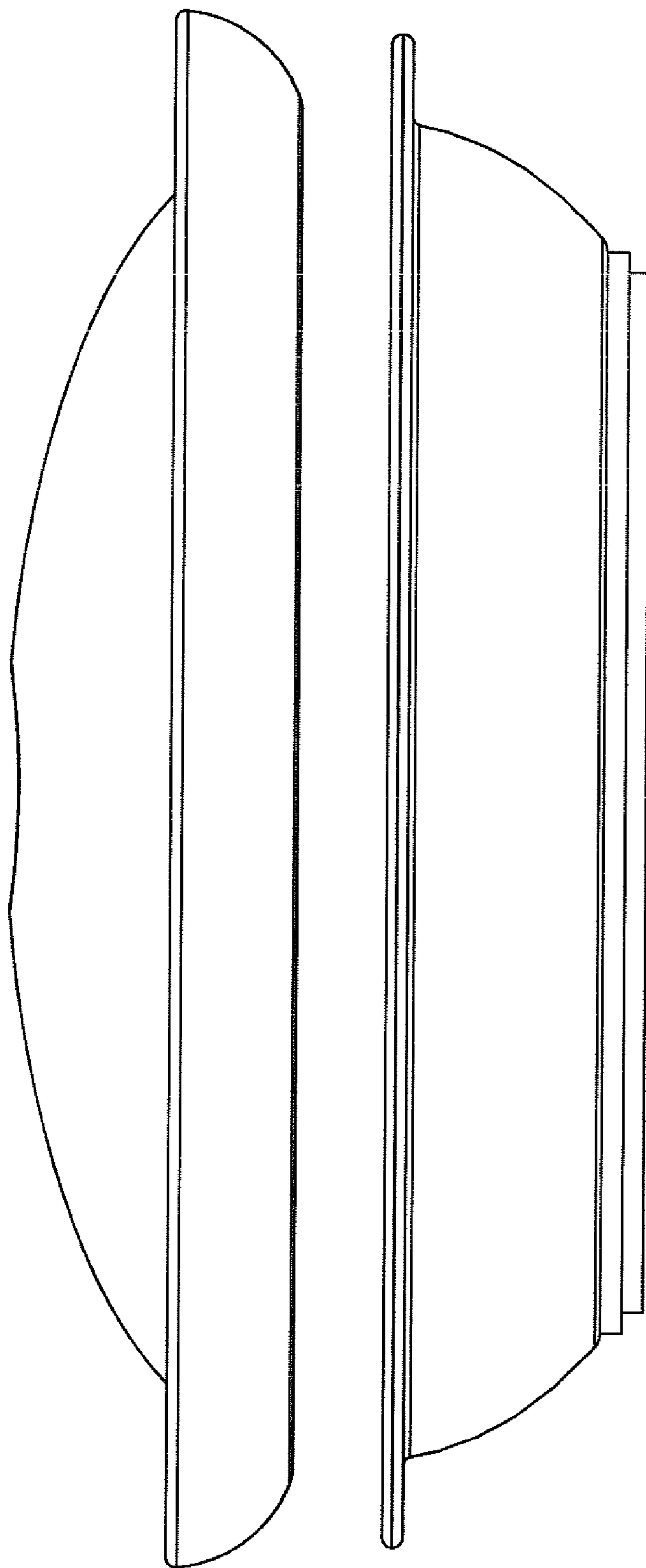


FIG 1

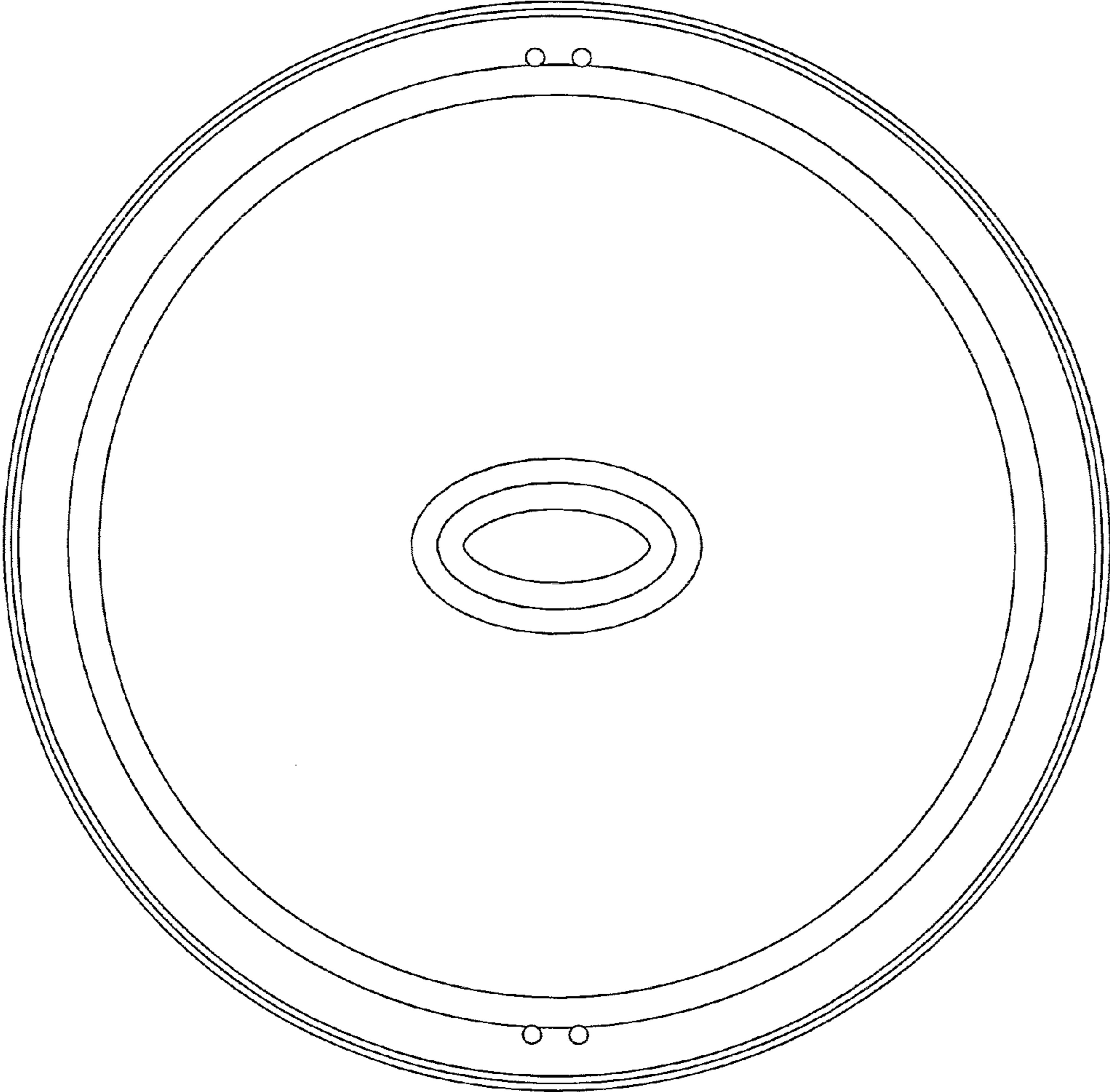


Fig 2

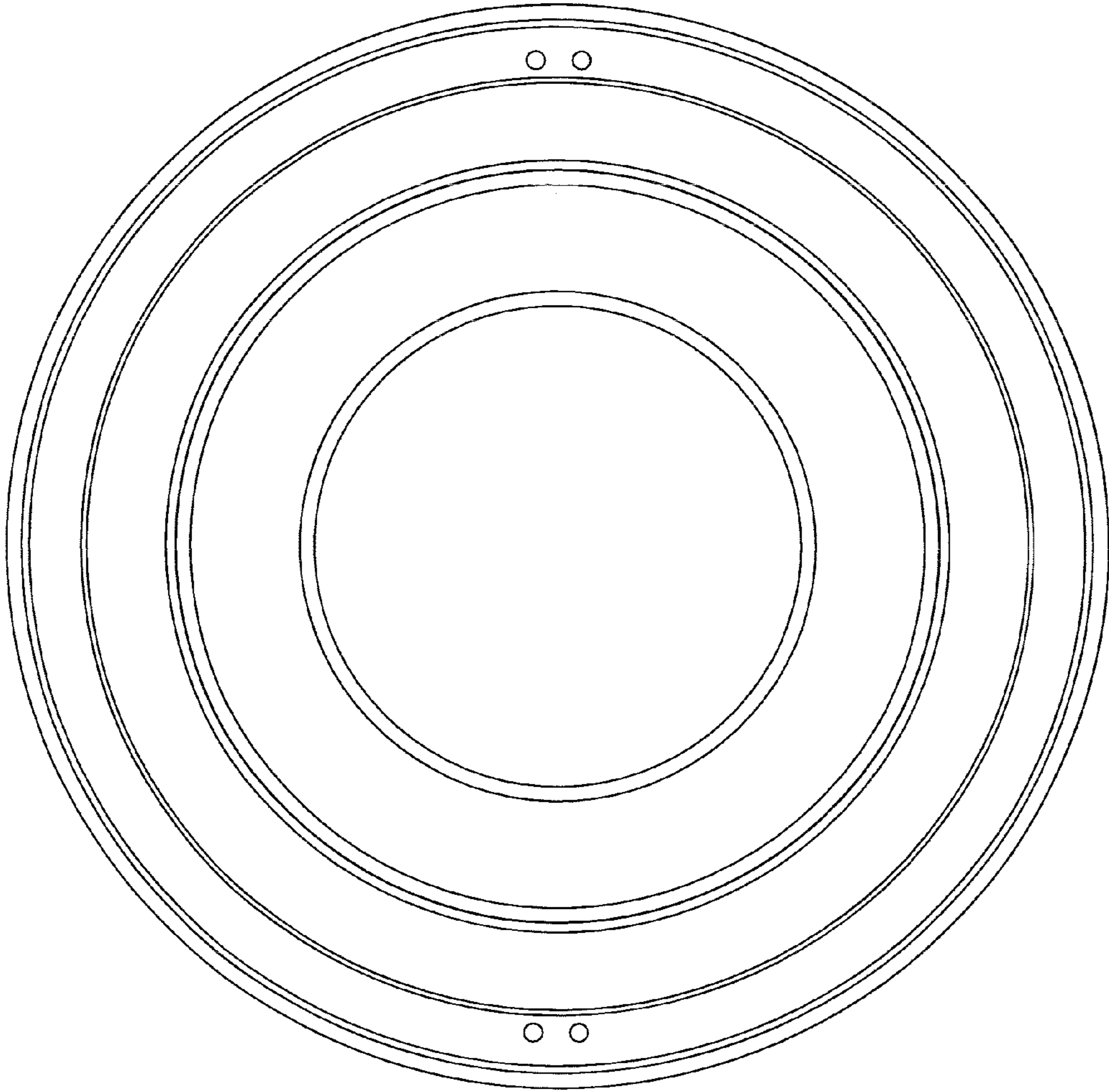


Fig 3

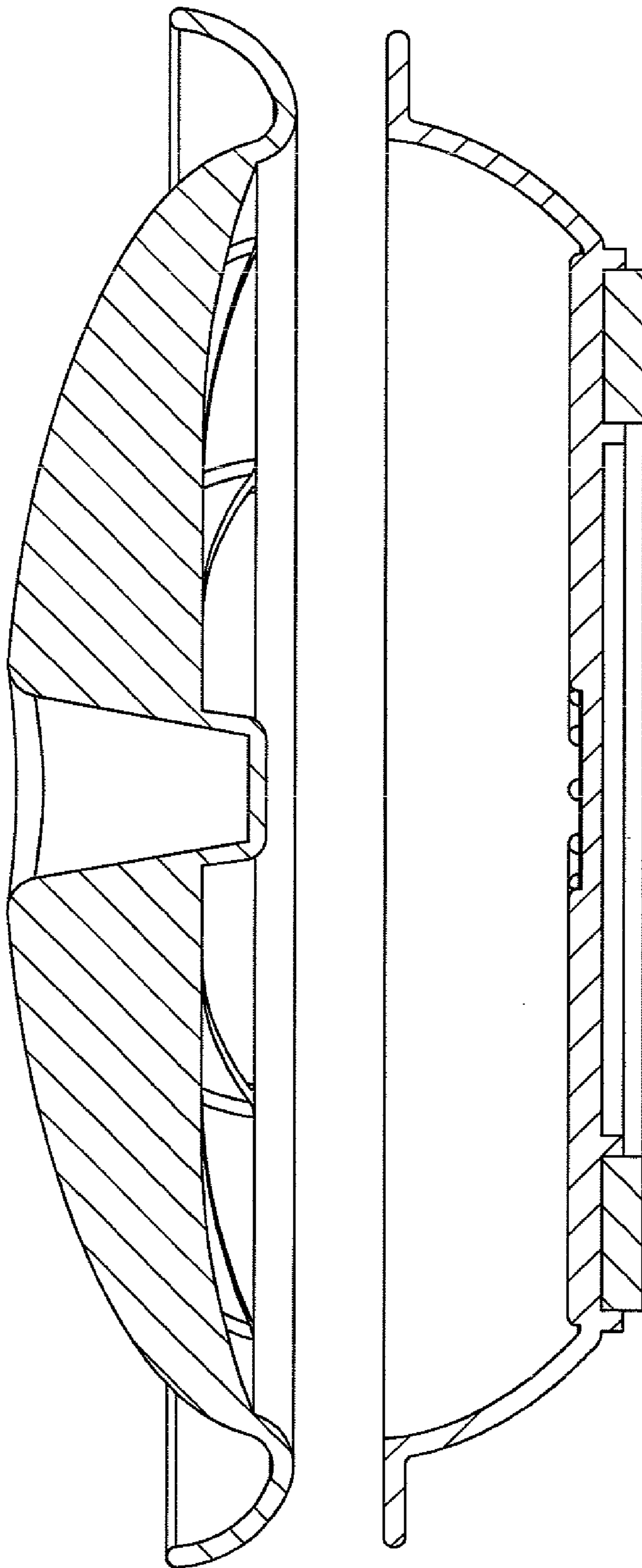


Fig 4



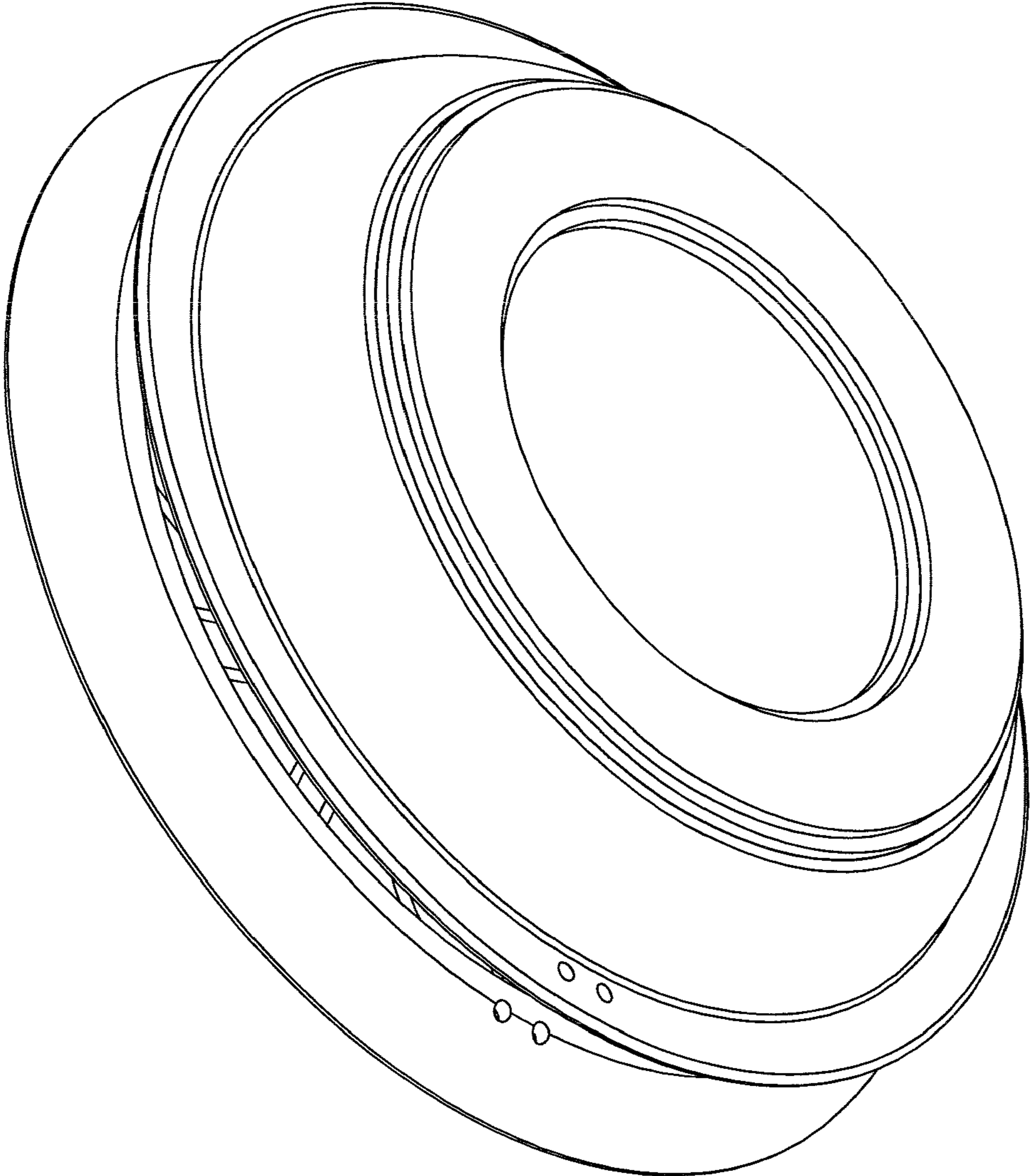


Fig 5

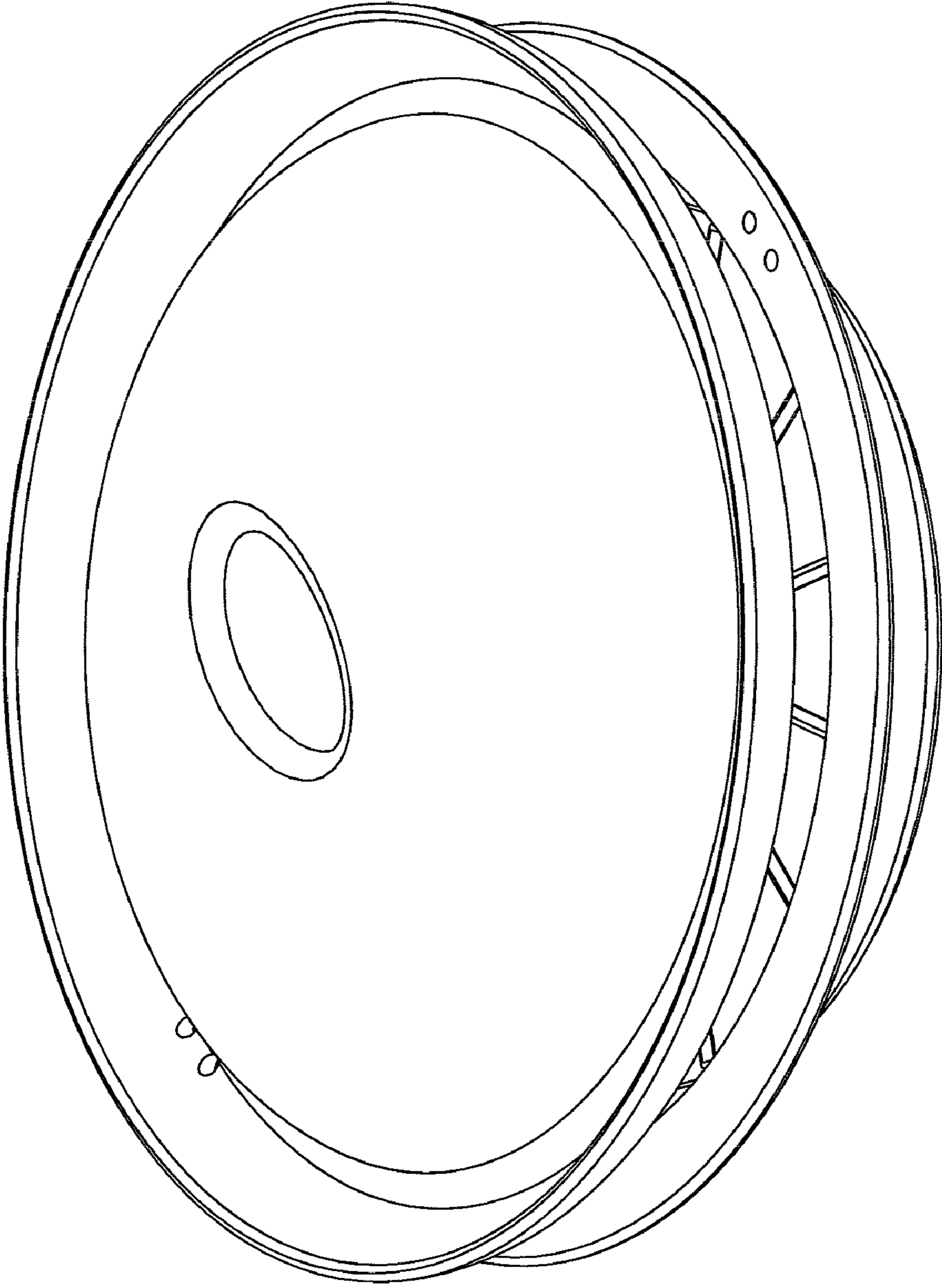


Fig 6