



US00D599167S

(12) **United States Design Patent**
Tiemann

(10) **Patent No.:** **US D599,167 S**
(45) **Date of Patent:** **** Sep. 1, 2009**

(54) **CHICKEN AND RIB RACK**
(75) Inventor: **Frank R. Tiemann**, Madison Lake, MN
(US)
(73) Assignee: **Nifty Home Products, Inc.**, Madison
Lake, MN (US)
(**) Term: **14 Years**
(21) Appl. No.: **29/333,521**
(22) Filed: **Mar. 11, 2009**

2,552,983 A * 5/1951 Lee 422/310
D165,303 S * 11/1951 Rogers et al. D7/706
D166,410 S * 4/1952 Press D7/364
D288,053 S * 2/1987 Maza et al. D7/704
5,195,424 A * 3/1993 Guajaca 99/418
D441,621 S * 5/2001 Levy D7/704
D483,579 S * 12/2003 Frankelton D6/462
D494,017 S * 8/2004 Compagnucci D7/601
D507,702 S * 7/2005 Compagnucci D3/306
7,267,308 B1 * 9/2007 Jenson 248/176.1
D568,004 S * 4/2008 Tiemann D30/133
D568,684 S * 5/2008 Tiemann D7/409
D588,199 S * 3/2009 Eisenbaum D19/77

* cited by examiner

(51) **LOC (9) Cl.** **07-02**
(52) **U.S. Cl.** **D7/409**
(58) **Field of Classification Search** D3/306;
D6/462; D7/323, 354-364, 393-395, 402,
D7/409-500, 538-548, 584-588, 601, 704,
D7/706; D8/107, 300, 307, 317; D19/77;
D30/133; 99/339, 403, 418, 422, 425-426,
99/440; 211/74, 85.31; 220/6, 377, 573.1-573.3,
220/752-753, 755-759, 912; 248/175, 176.1;
422/310

See application file for complete search history.

(56) **References Cited**

U.S. PATENT DOCUMENTS

134,738 A * 1/1873 Dudley 211/74
681,936 A * 9/1901 Soady 99/440
1,530,175 A * 3/1925 Hatch, Jr. 220/6
1,615,209 A * 1/1927 Asselin 248/175
1,631,725 A * 6/1927 Halvorsen 211/85.31
2,191,693 A * 2/1940 Havlis 211/74

Primary Examiner—Caron Veynar
Assistant Examiner—Ricky Pham

(74) *Attorney, Agent, or Firm*—Thomas J. Nikolai; Nikolai & Mersereau, P.A.

(57) **CLAIM**

The ornamental design for a “chicken and rib rack,” as shown and described.

DESCRIPTION

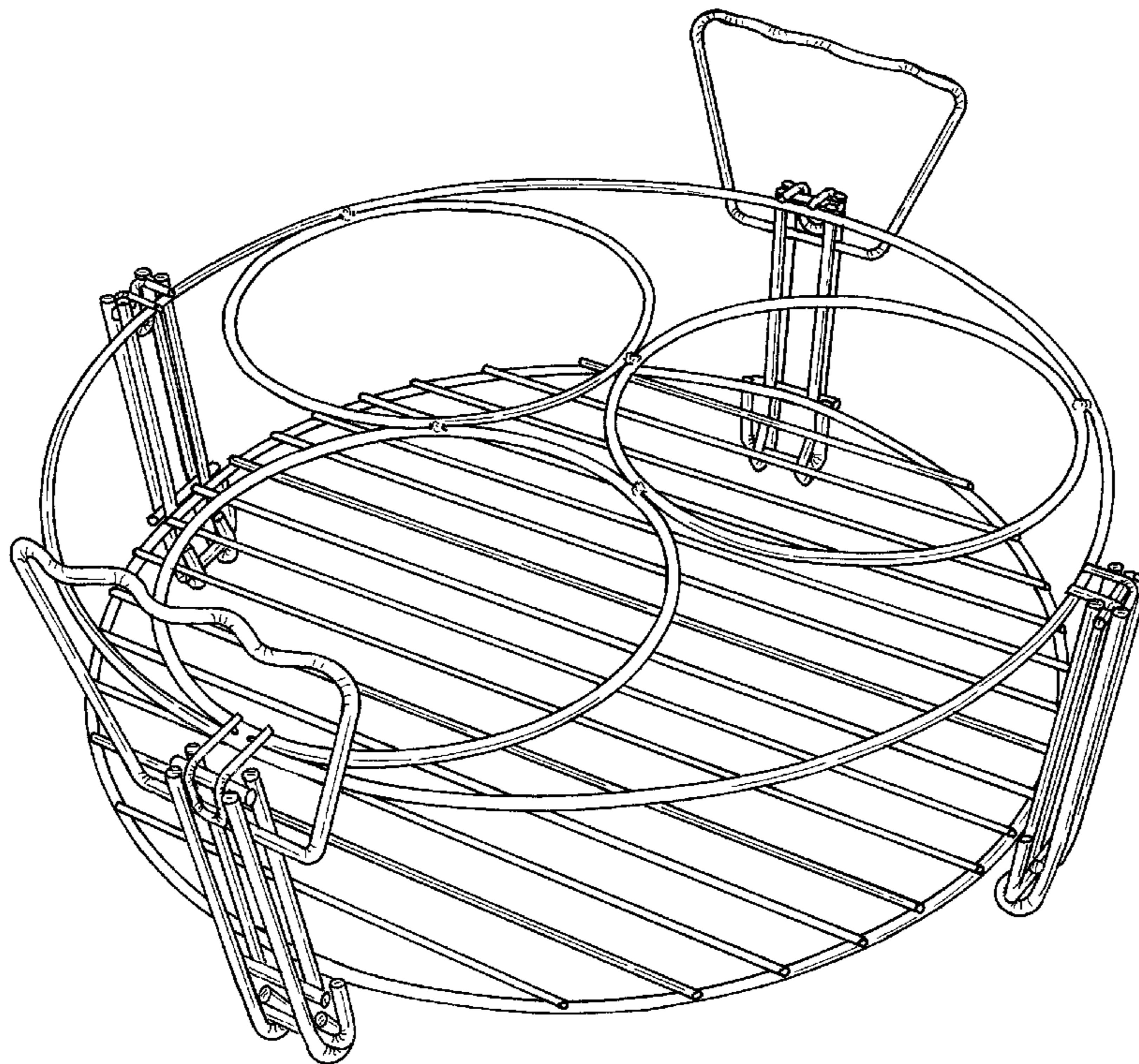
FIG. 1 is a perspective view of the chicken and rib rack showing my design;

FIG. 2 is a top plan view thereof;

FIG. 3 is a bottom plan view thereof; and,

FIG. 4 is a left end view thereof wherein the right end view is identical.

1 Claim, 4 Drawing Sheets



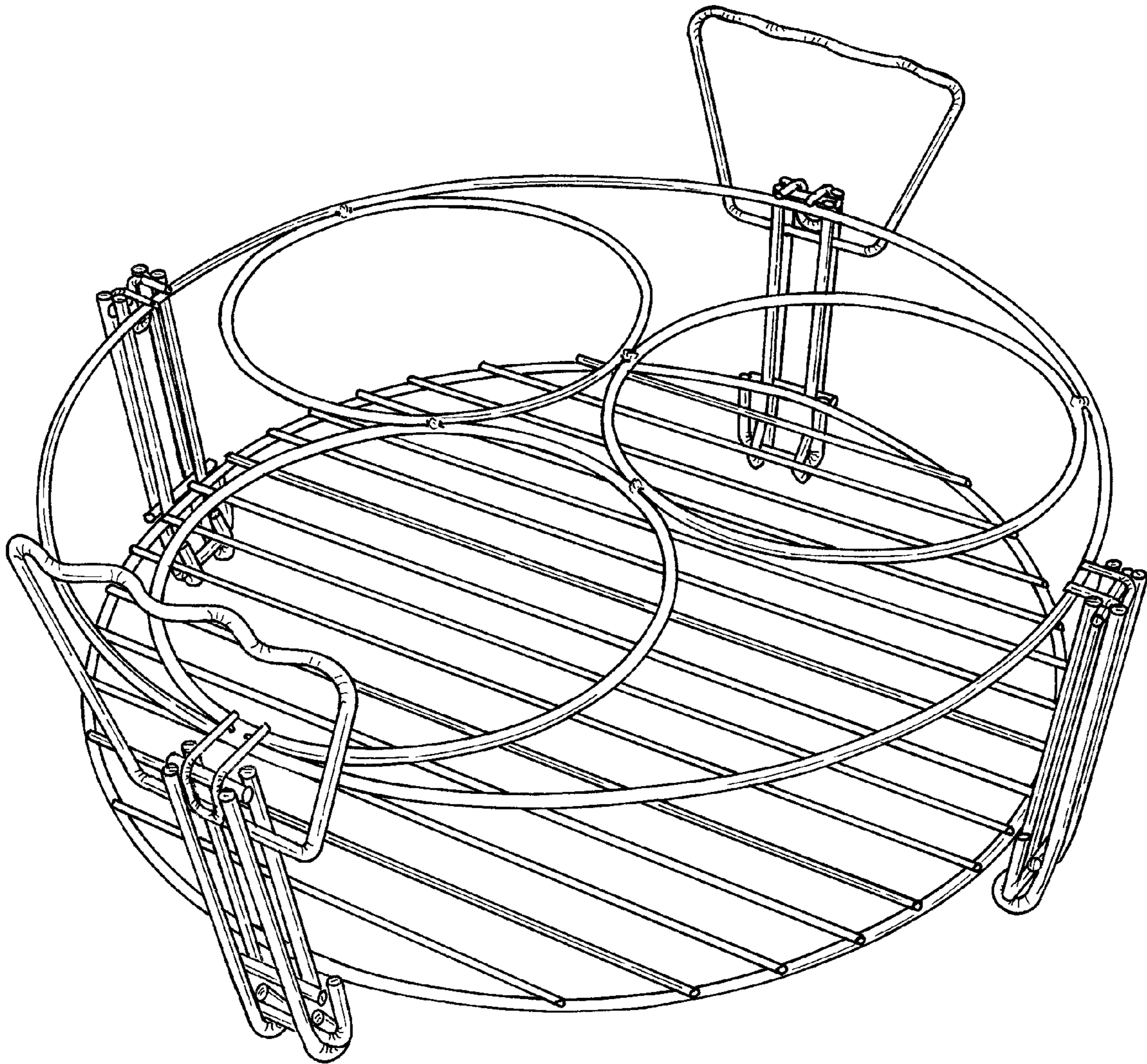


FIG. 1

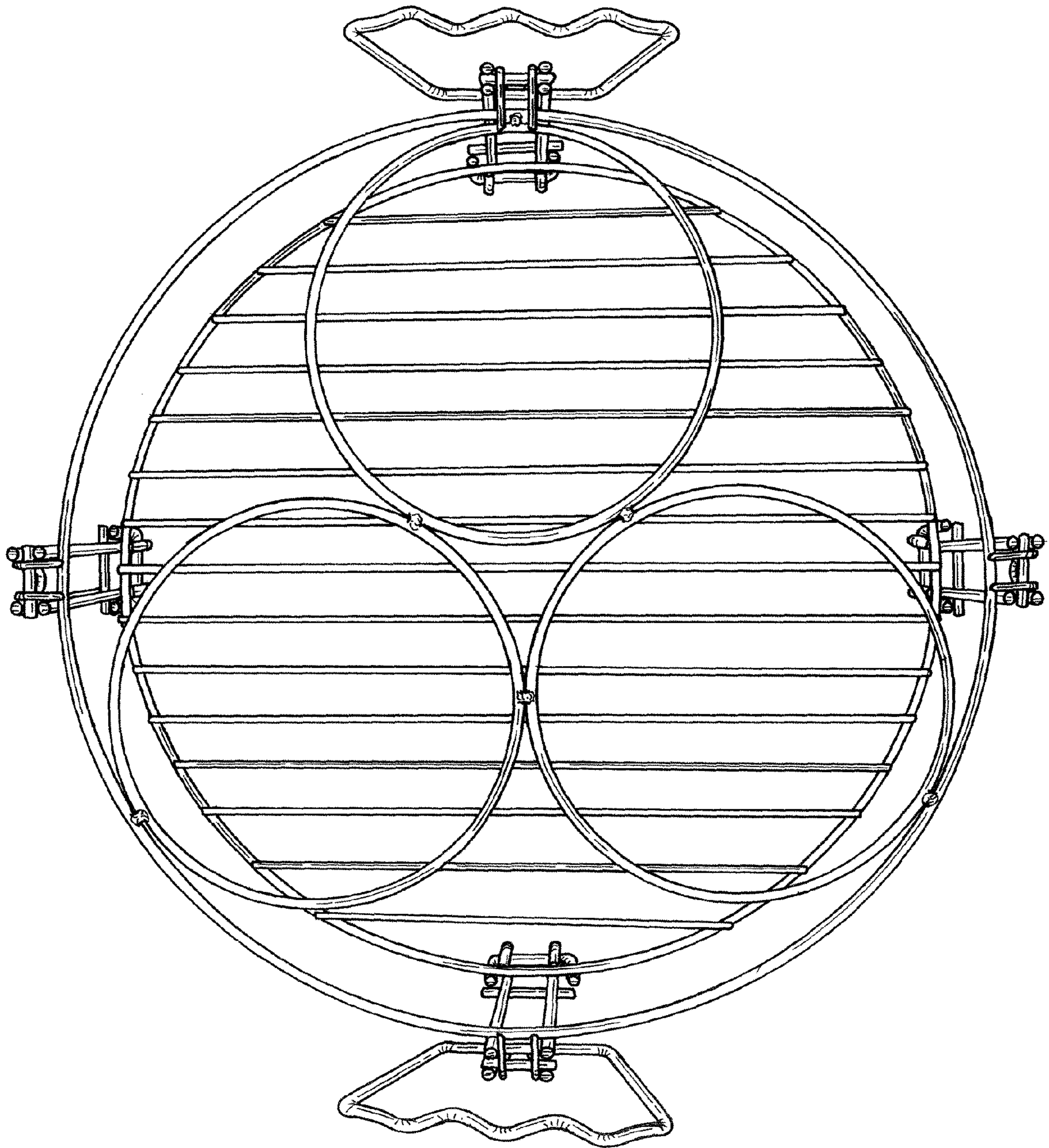


FIG. 2

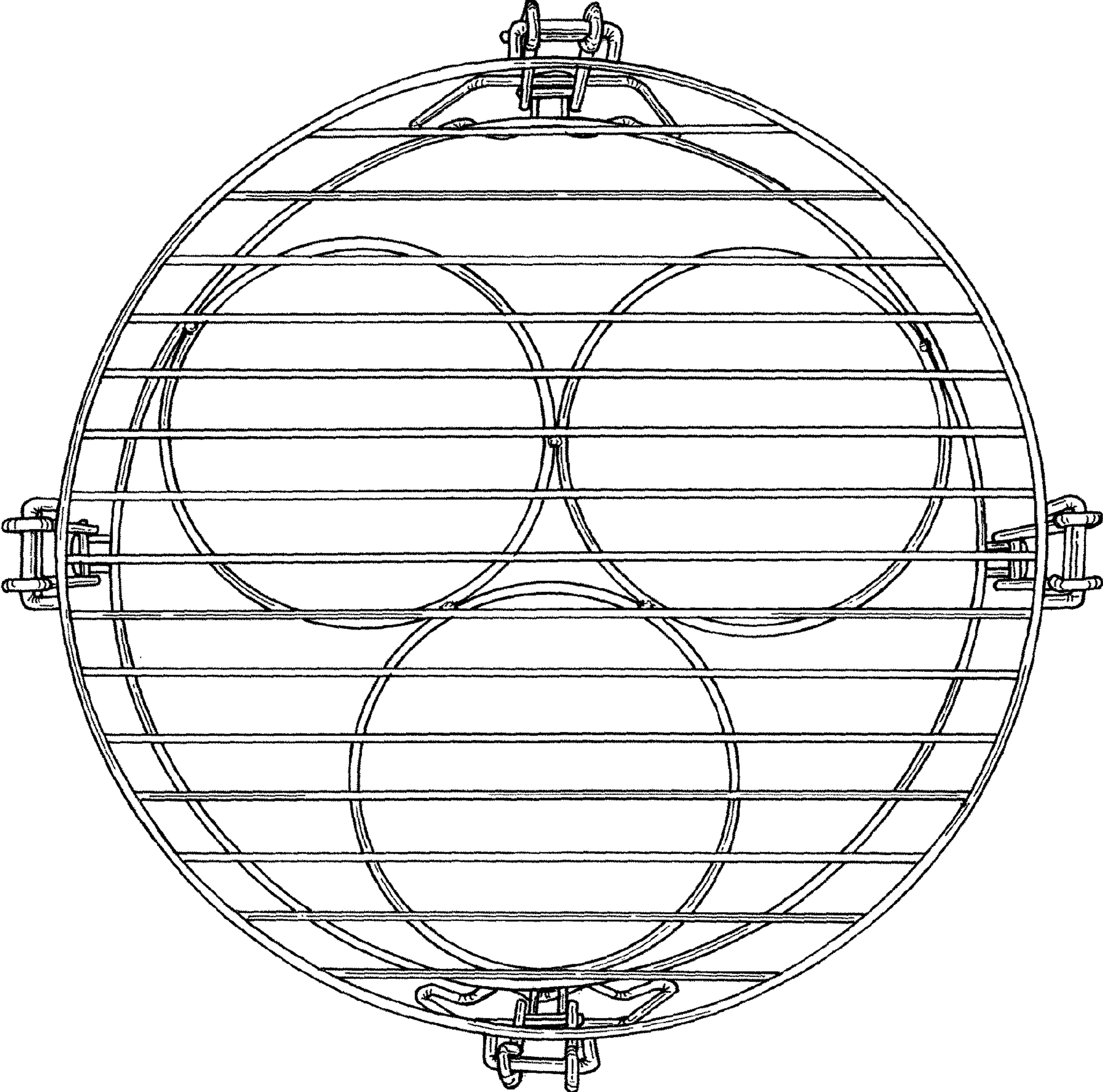


FIG. 3

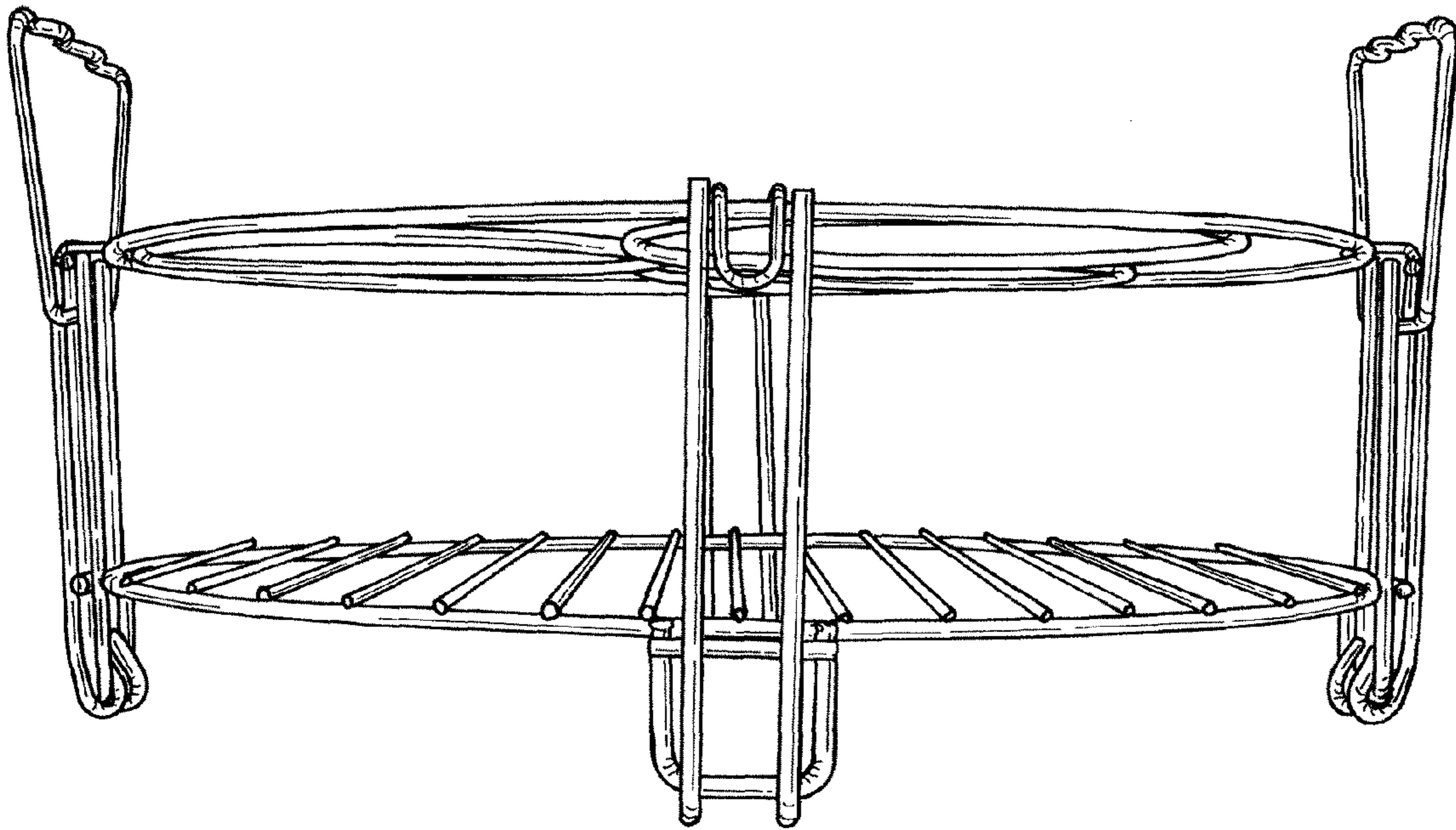


FIG. 4