



US00D599166S

(12) **United States Design Patent**
Knypstra et al.

(10) **Patent No.:** **US D599,166 S**
(45) **Date of Patent:** **** Sep. 1, 2009**

(54) **TURKEY FRYER SUPPORT DEVICE**

(76) Inventors: **Donald L. Knypstra**, 18424 Halsted St., Northridge, CA (US) 91325;
Christopher Hernandez, 18424 Halsted St., Northridge, CA (US) 91325

(**) Term: **14 Years**

(21) Appl. No.: **29/327,440**

(22) Filed: **Nov. 5, 2008**

(51) **LOC (9) Cl.** **15-05**

(52) **U.S. Cl.** **D7/403**

(58) **Field of Classification Search** D7/332,
D7/334-337, 402-406, 409; 126/25 R, 29-30,
126/25 A, 25 AA, 9 R, 9 B, 38, 37 R, 37 B,
126/40, 50, 43, 44, 45; 99/481-482, 445,
99/450, 421 R, 421 A, 421 HV, 443 R, 339;
D6/512; 211/117, 166, 209, 149; 248/329,
248/320

See application file for complete search history.

(56) **References Cited**

U.S. PATENT DOCUMENTS

1,214,104 A	1/1917	Wingire	
3,300,186 A	1/1967	Lee	
4,043,260 A	8/1977	LaPour et al.	
4,120,280 A *	10/1978	Iverson et al.	126/30
D280,065 S *	8/1985	Pierscinski	D7/409
5,025,715 A *	6/1991	Sir	99/421 HV
D337,933 S *	8/1993	Gryz	D7/332
5,297,534 A *	3/1994	Louden	126/30
5,850,829 A *	12/1998	Taylor et al.	126/30

5,908,026 A *	6/1999	Forst	126/25 AA
5,970,852 A	10/1999	Bourgeois	
6,327,967 B1 *	12/2001	Pei	99/339
D486,689 S *	2/2004	Lu	D7/403
6,698,335 B1 *	3/2004	Bourgeois	99/340
D503,068 S *	3/2005	May et al.	D7/388
7,237,547 B1 *	7/2007	Bourgeois	126/9 R
7,261,631 B1	8/2007	Golson, Sr.	
D553,432 S *	10/2007	Lin	D7/409
D555,426 S *	11/2007	Lin	D7/402
2005/0172949 A1 *	8/2005	Moore et al.	126/39 G
2006/0144246 A1	7/2006	Holliday	
2006/0283335 A1	12/2006	Vasquez	

* cited by examiner

Primary Examiner—Ruth McInroy

(57) **CLAIM**

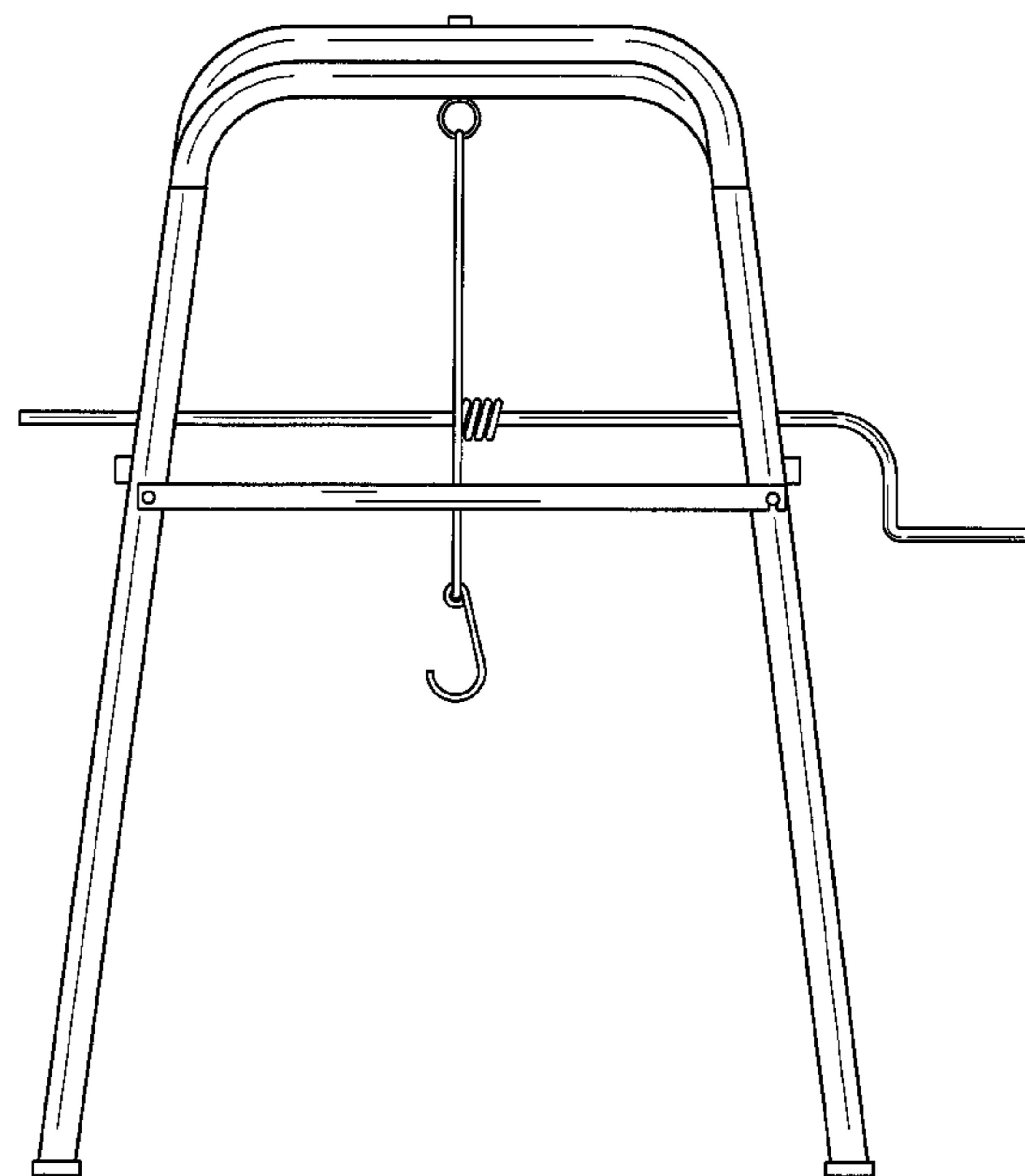
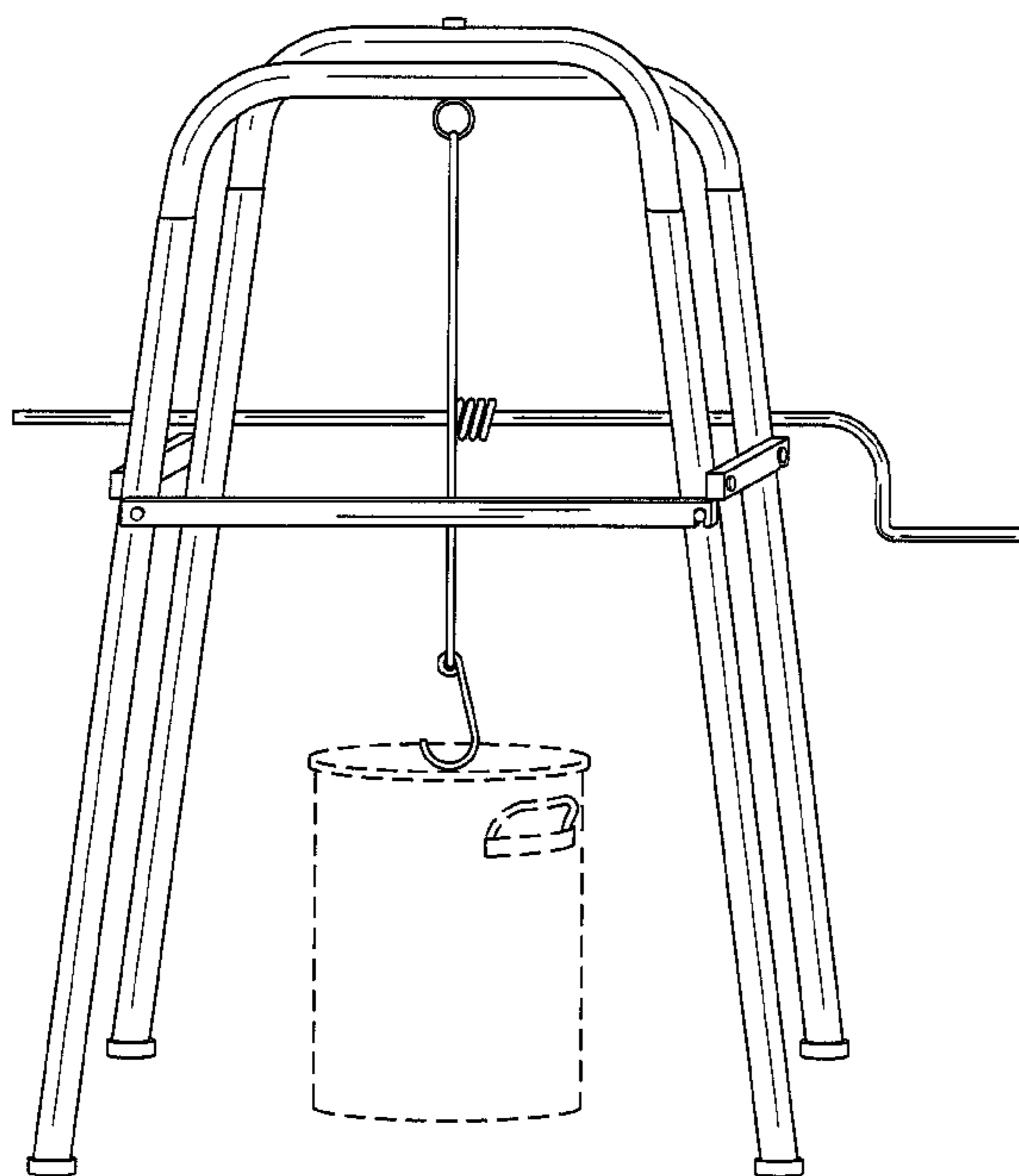
The ornamental design for a turkey fryer support device, as shown and described.

DESCRIPTION

FIG. 1 is a perspective view of a turkey fryer support device; FIG. 2 is a front view thereof; FIG. 3 is a back view thereof; FIG. 4 is a side view thereof; FIG. 5 is a side view thereof; FIG. 6 is a top view thereof; and, FIG. 7 is a bottom view thereof.

The container shown in broken lines in FIG. 1 forms no part of the claimed design.

1 Claim, 7 Drawing Sheets



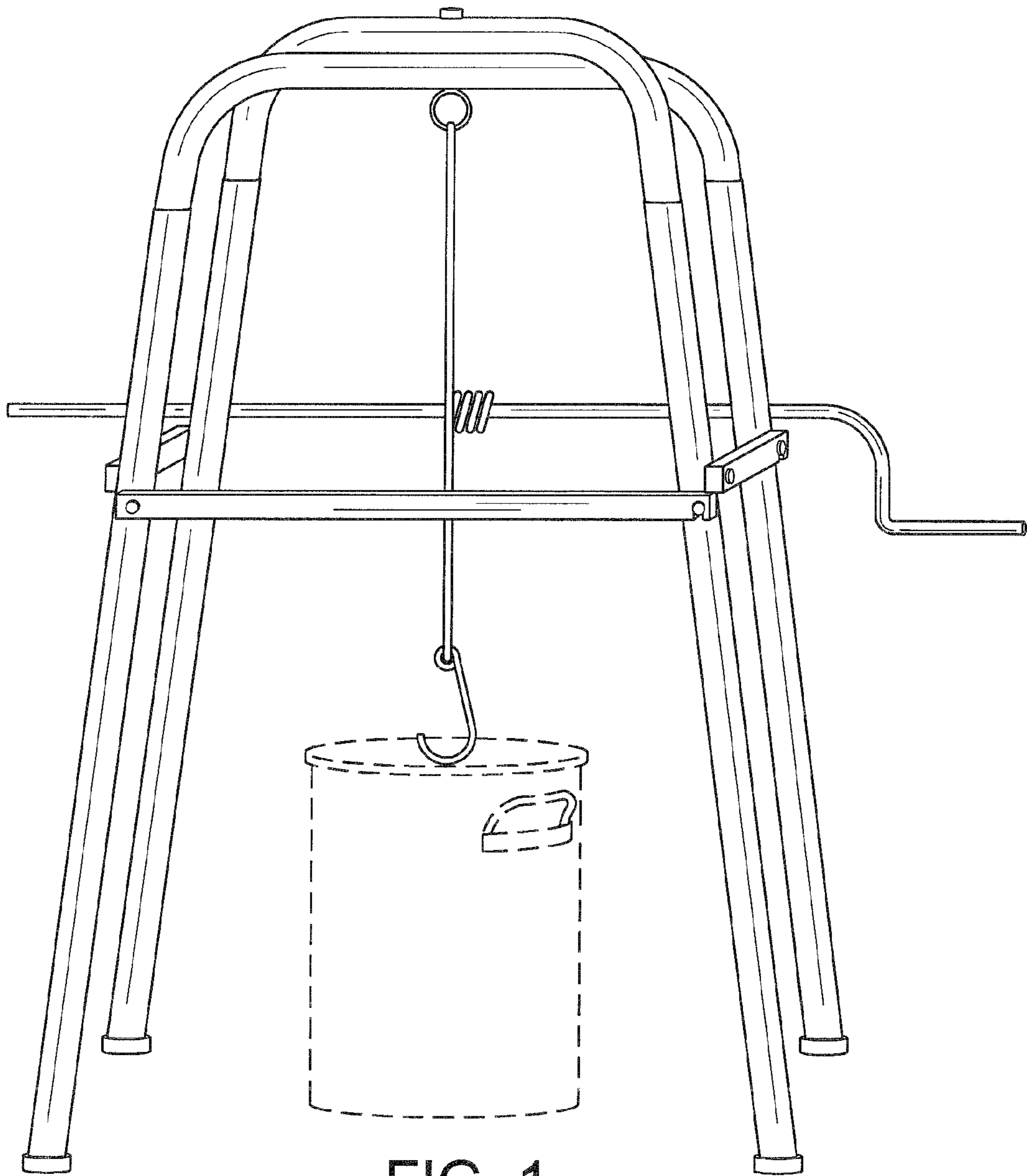


FIG. 1

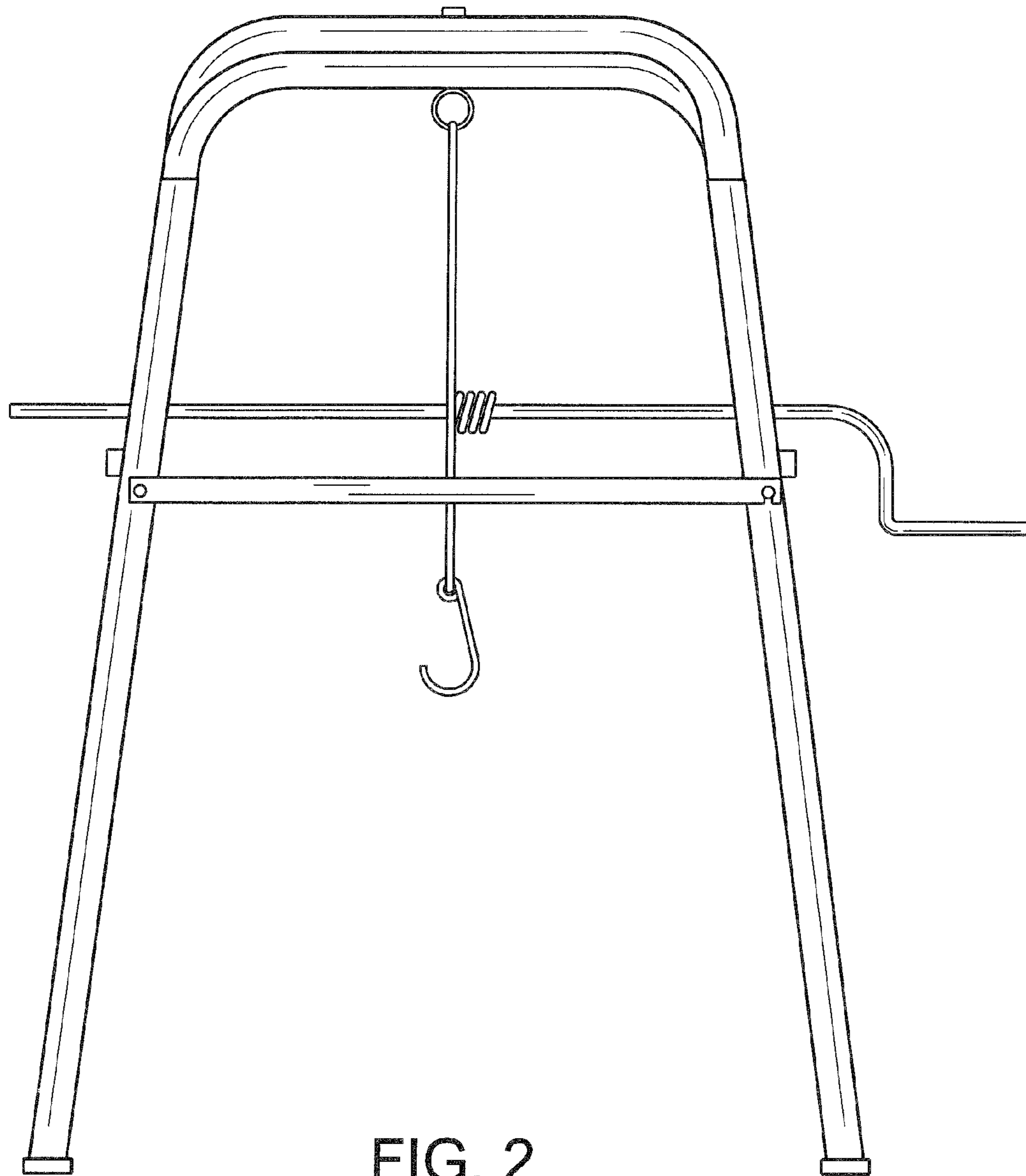


FIG. 2

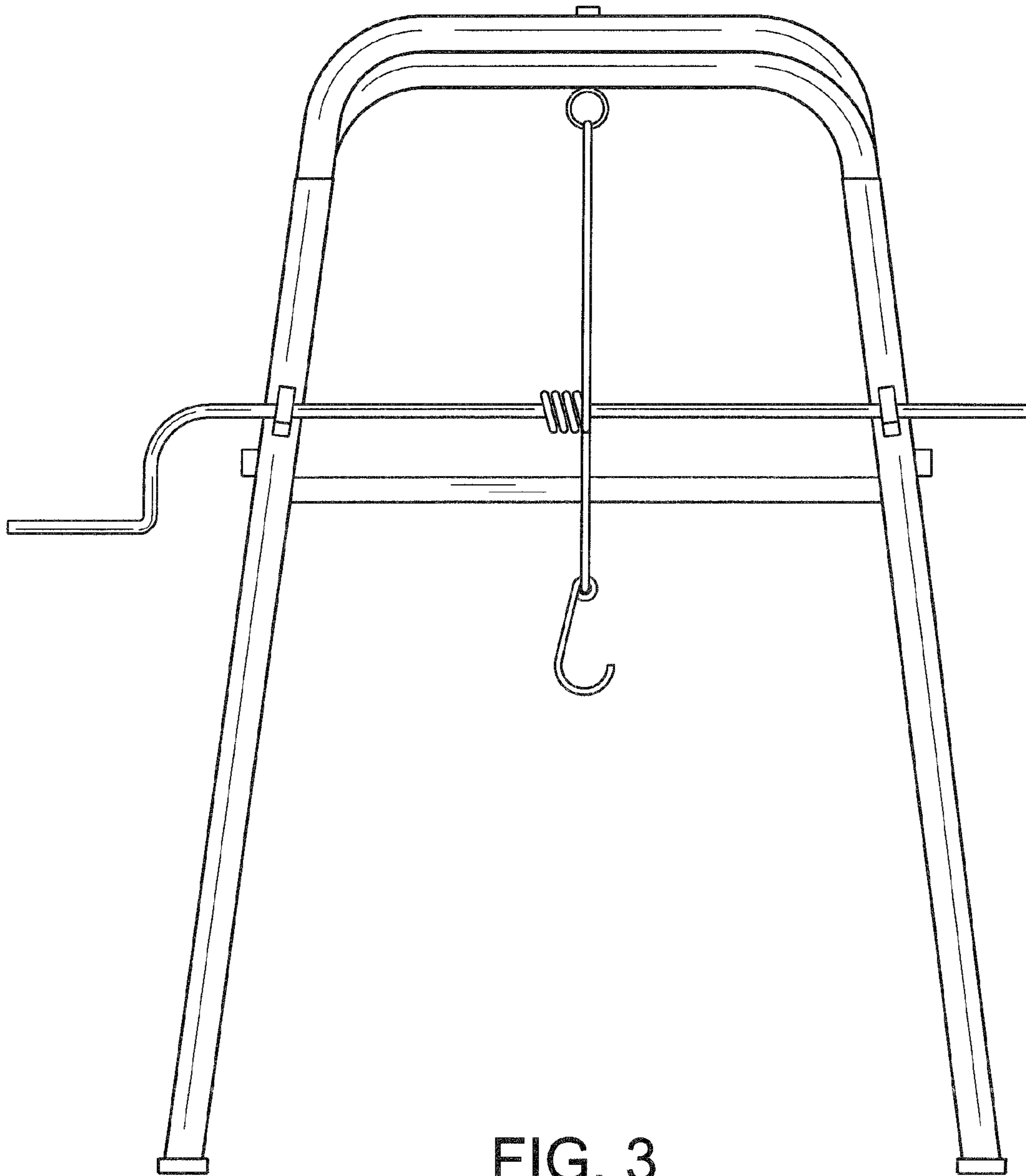


FIG. 3

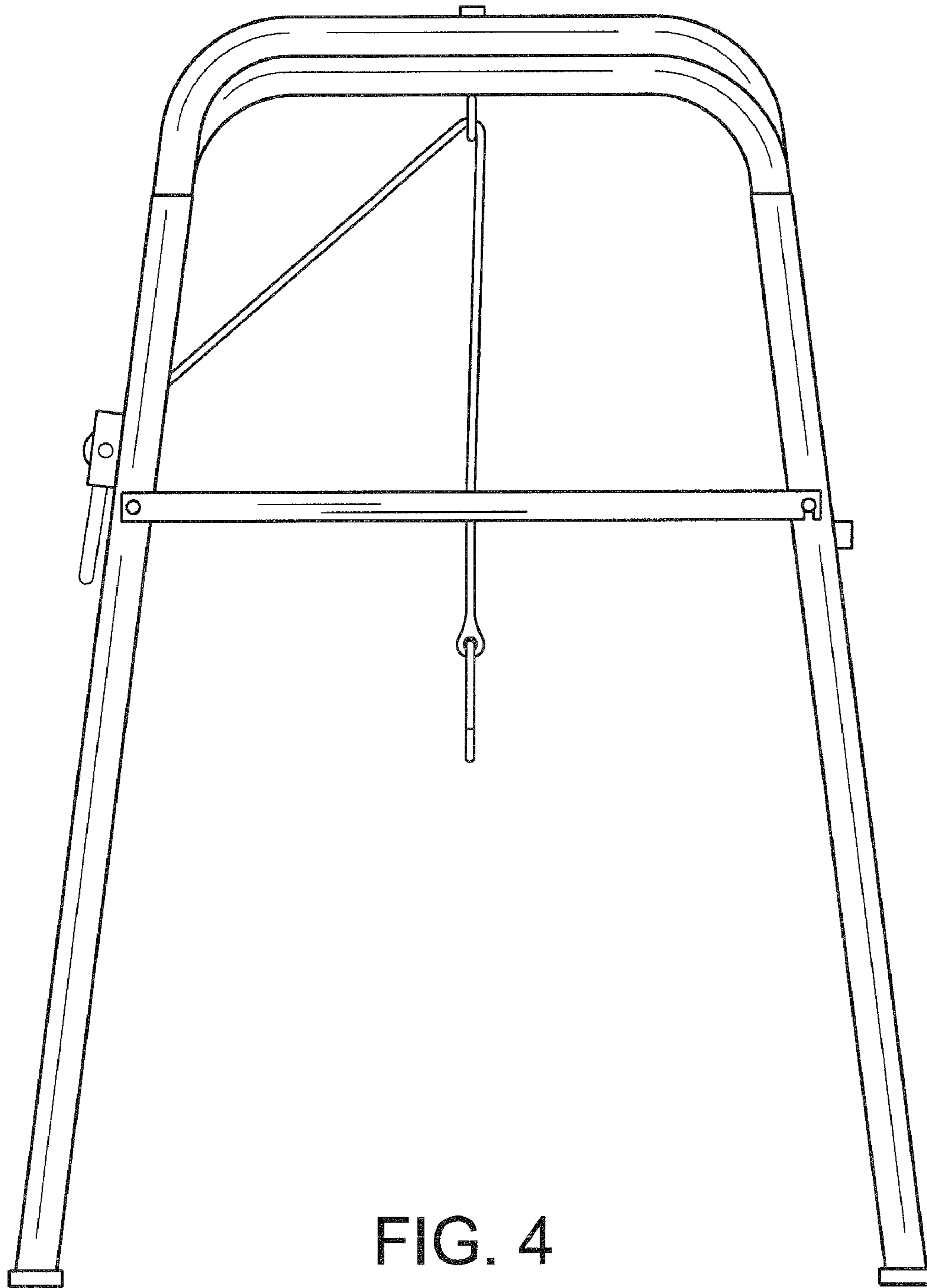


FIG. 4

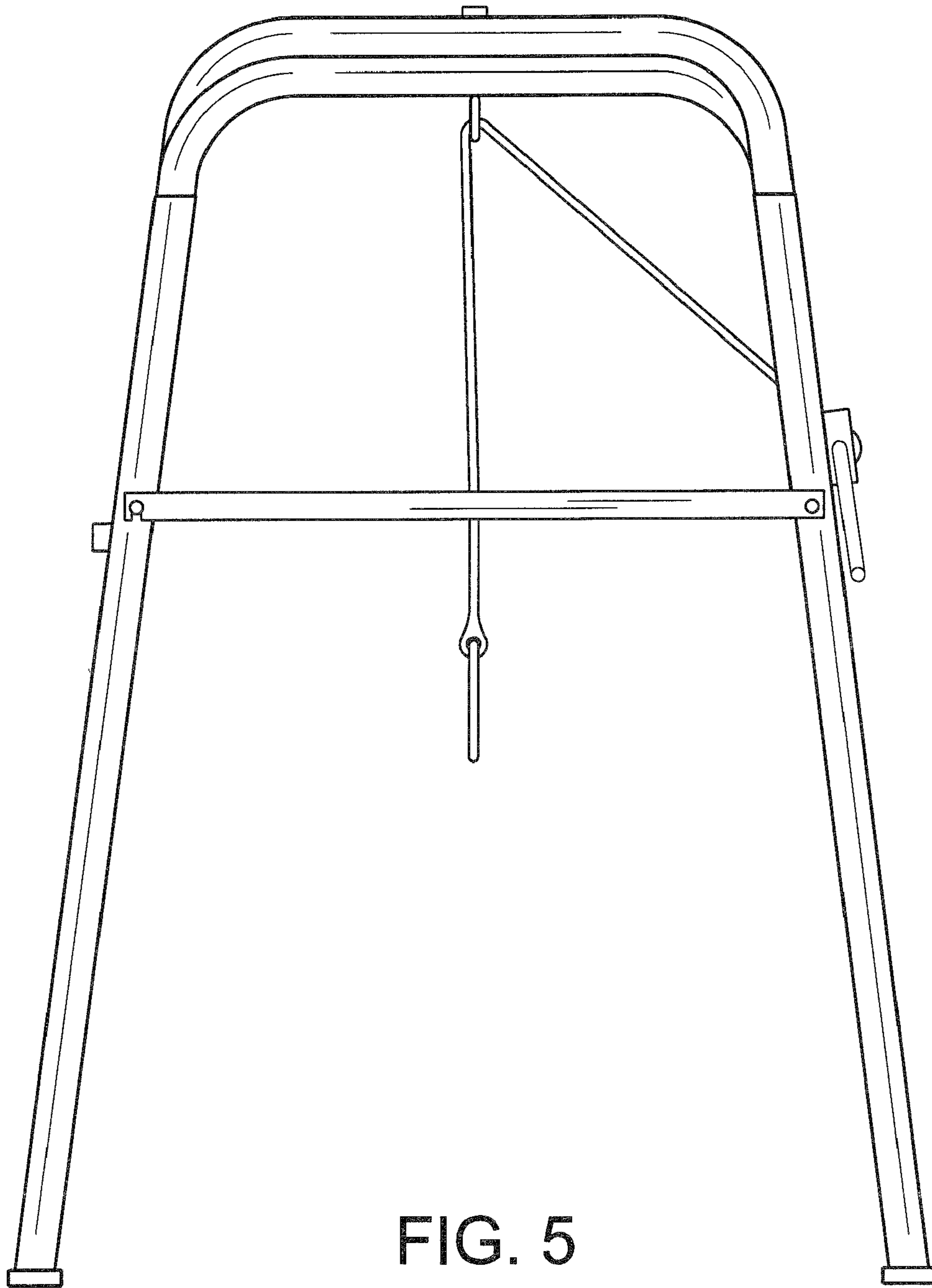


FIG. 5

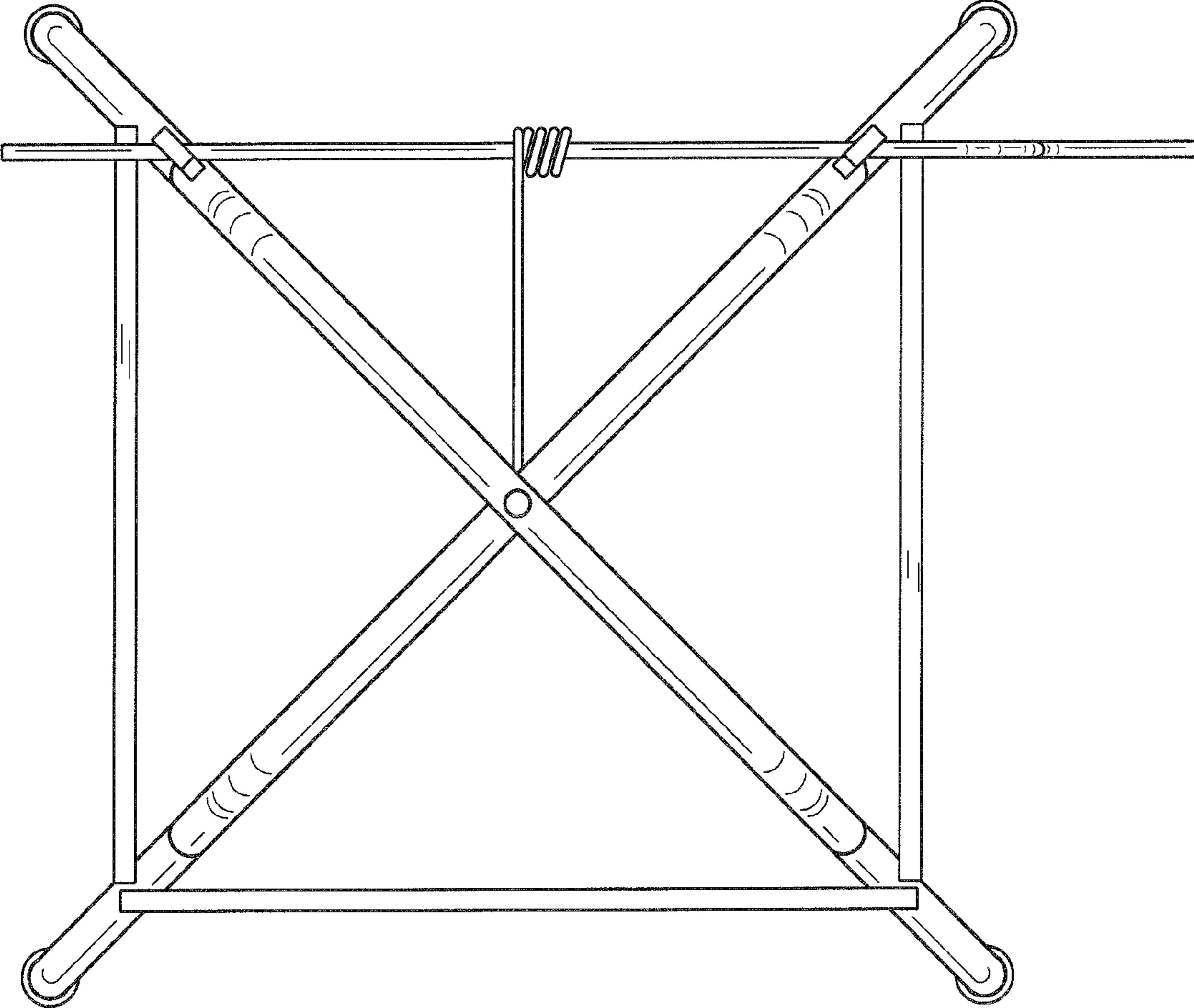


FIG. 6

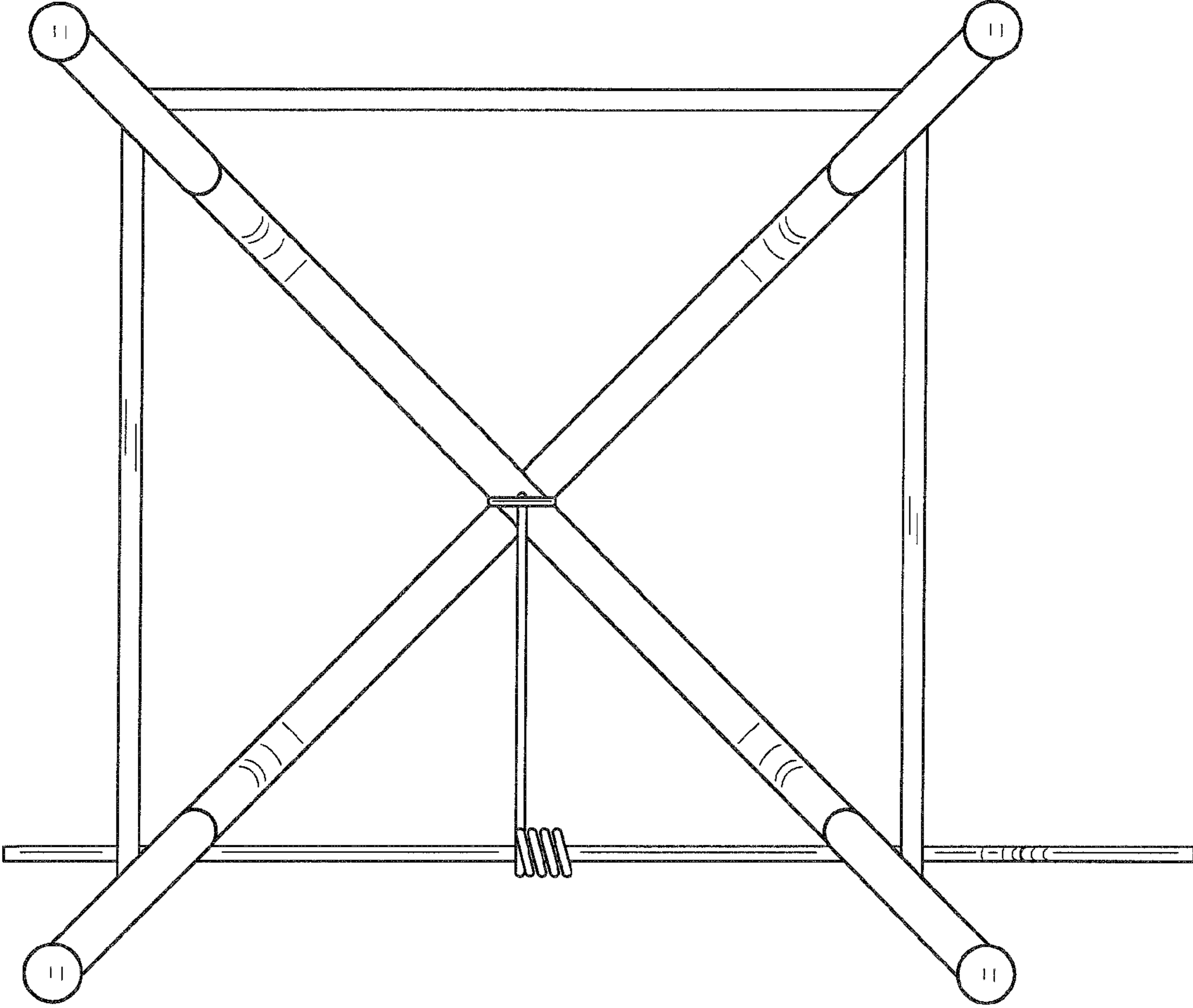


FIG. 7