



US00D599163S

(12) **United States Design Patent**
Oomae

(10) **Patent No.:** **US D599,163 S**
(45) **Date of Patent:** **** Sep. 1, 2009**

(54) **MICROWAVE OVEN**

(75) Inventor: **Ken Oomae**, Osaka (JP)

(73) Assignee: **Panasonic Corporation**, Osaka (JP)

(**) Term: **14 Years**

(21) Appl. No.: **29/328,491**

(22) Filed: **Nov. 25, 2008**

(51) **LOC (9) Cl.** **07-02**

(52) **U.S. Cl.** **D7/351**

(58) **Field of Classification Search** D7/350.1-350.4,
D7/351, 402, 405-406; 219/678, 739, 756-758;
126/19 M, 275 E

See application file for complete search history.

(56) **References Cited**

U.S. PATENT DOCUMENTS

D371,040 S *	6/1996	Matoba et al.	D7/351
D476,521 S *	7/2003	Fukuda et al.	D7/351
D478,465 S *	8/2003	Kanza	D7/351
D509,399 S *	9/2005	Kanza	D7/351
D509,400 S *	9/2005	Kanza	D7/351
D522,801 S *	6/2006	Lee	D7/351
D530,973 S *	10/2006	Lee et al.	D7/351
D532,645 S *	11/2006	Lee	D7/351
D534,758 S *	1/2007	Lee et al.	D7/351
D545,611 S *	7/2007	Sakata	D7/351
D562,056 S *	2/2008	Kim	D7/351

D577,246 S *	9/2008	Kikumoto	D7/351
D579,270 S *	10/2008	Green et al.	D7/405
D582,211 S *	12/2008	Green	D7/405

FOREIGN PATENT DOCUMENTS

CN ZL200630068107.6 5/2007

* cited by examiner

Primary Examiner—Ruth McInroy

(74) *Attorney, Agent, or Firm*—Brinks Hofer Gilson & Lione

(57) **CLAIM**

I claim the ornamental design for a microwave oven, as shown and described.

DESCRIPTION

FIG. 1 is a front perspective view of a microwave oven of the present invention;

FIG. 2 is a front view thereof;

FIG. 3 is a top view thereof;

FIG. 4 is a bottom view thereof;

FIG. 5 is a first side view thereof; and,

FIG. 6 is a second side view thereof.

The broken line showing of microwave oven is included for the purpose of illustrating environment and forms no part of the claimed design.

1 Claim, 6 Drawing Sheets

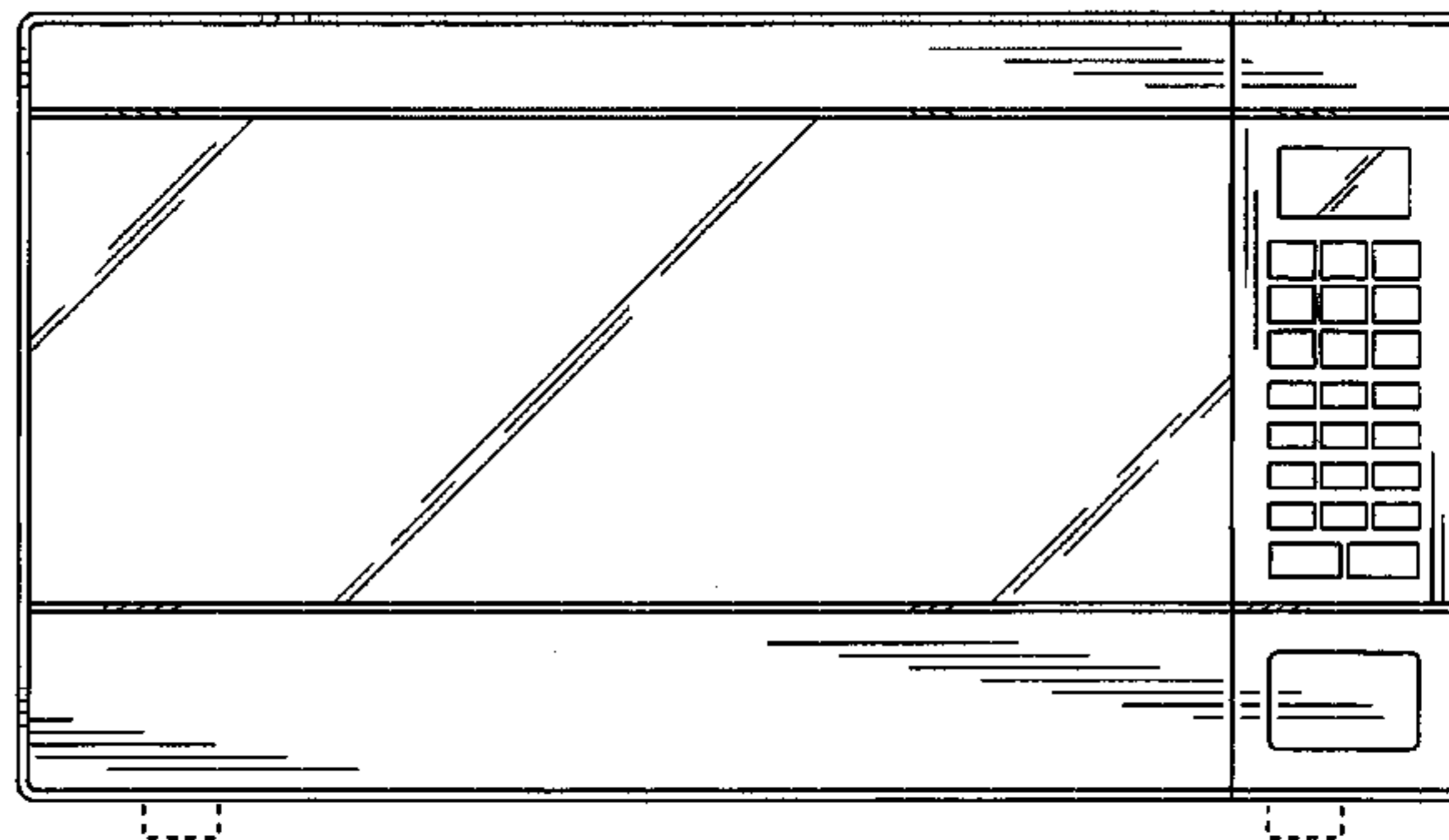
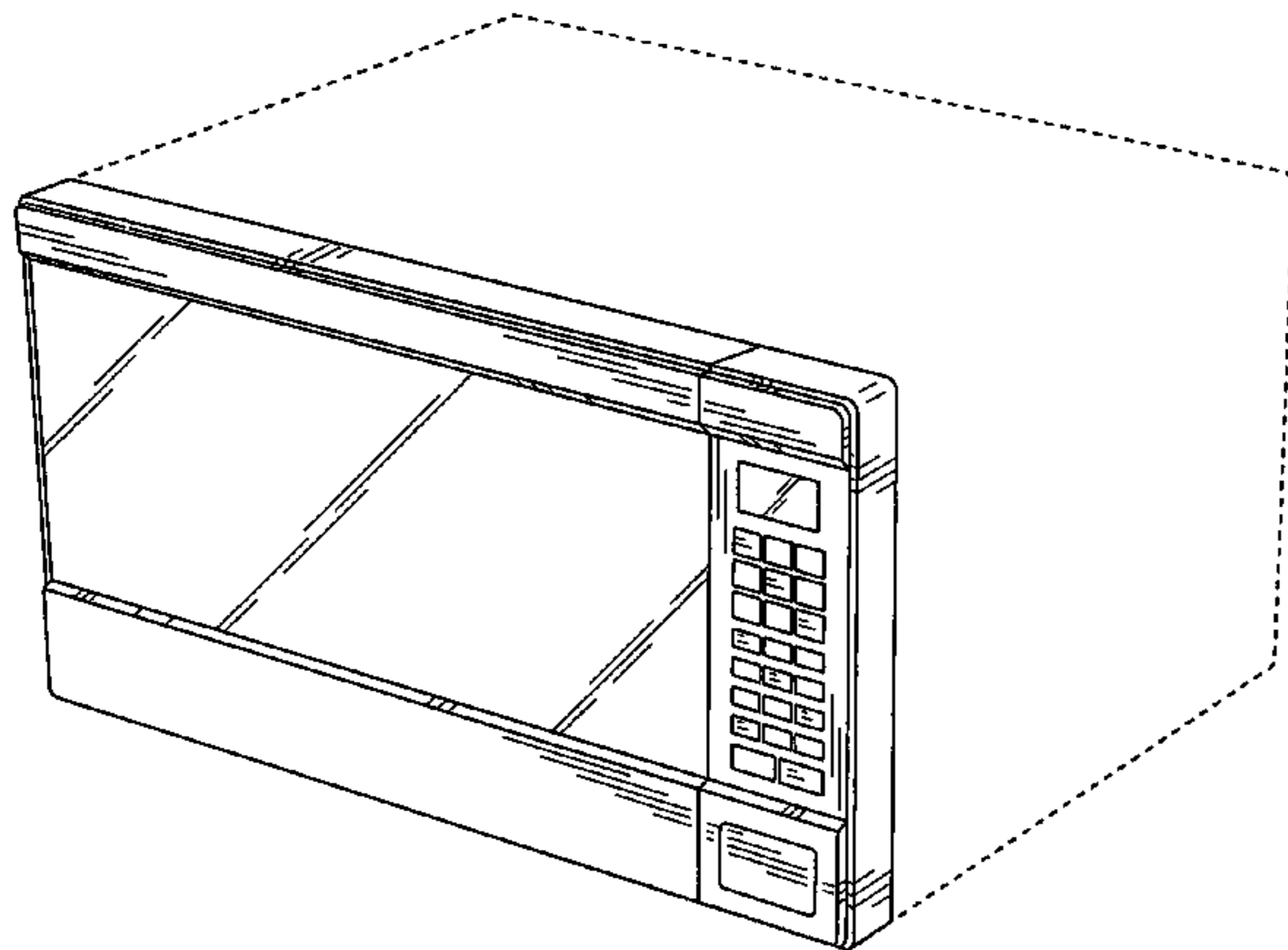


FIG.1

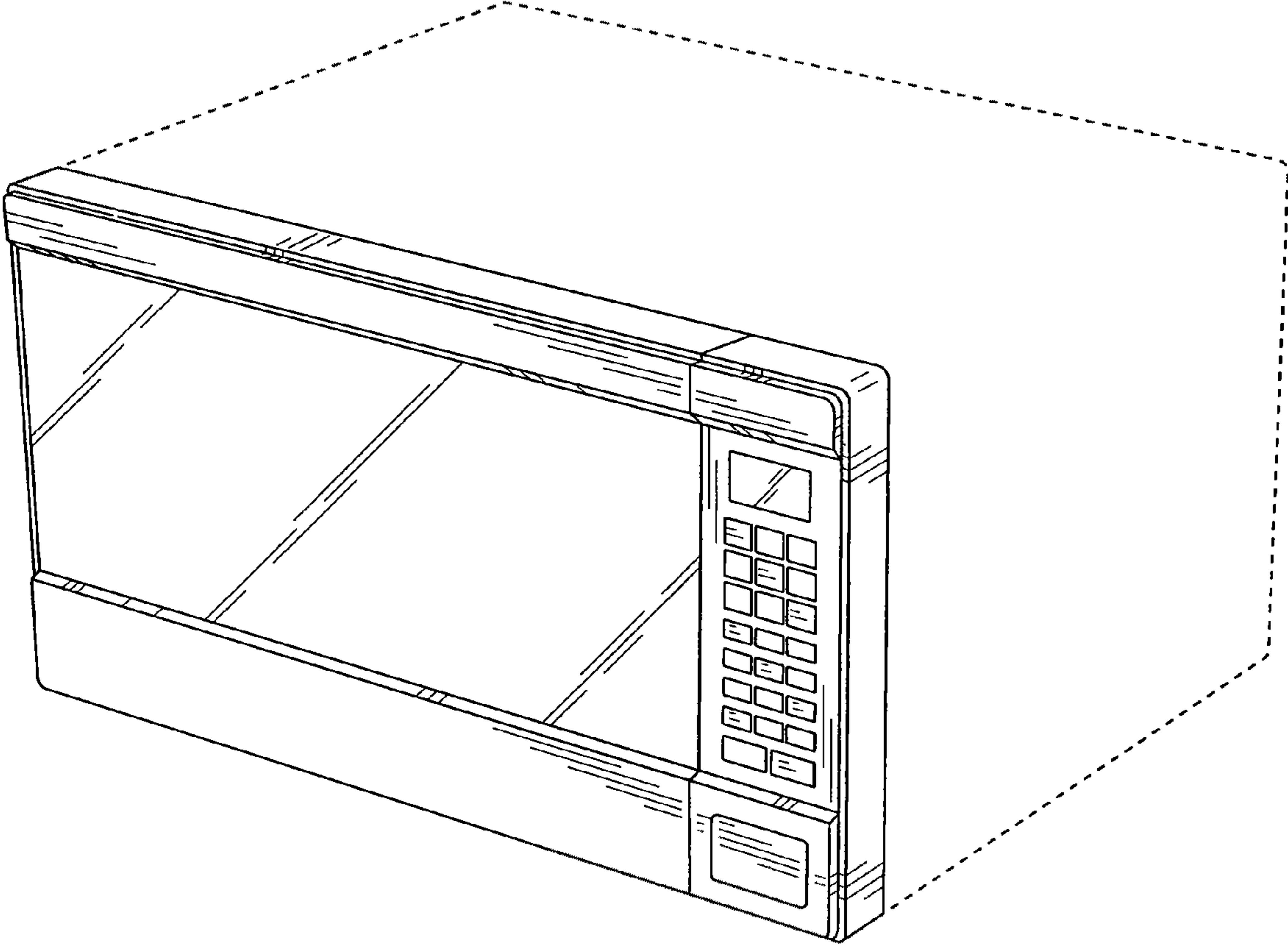


FIG. 2

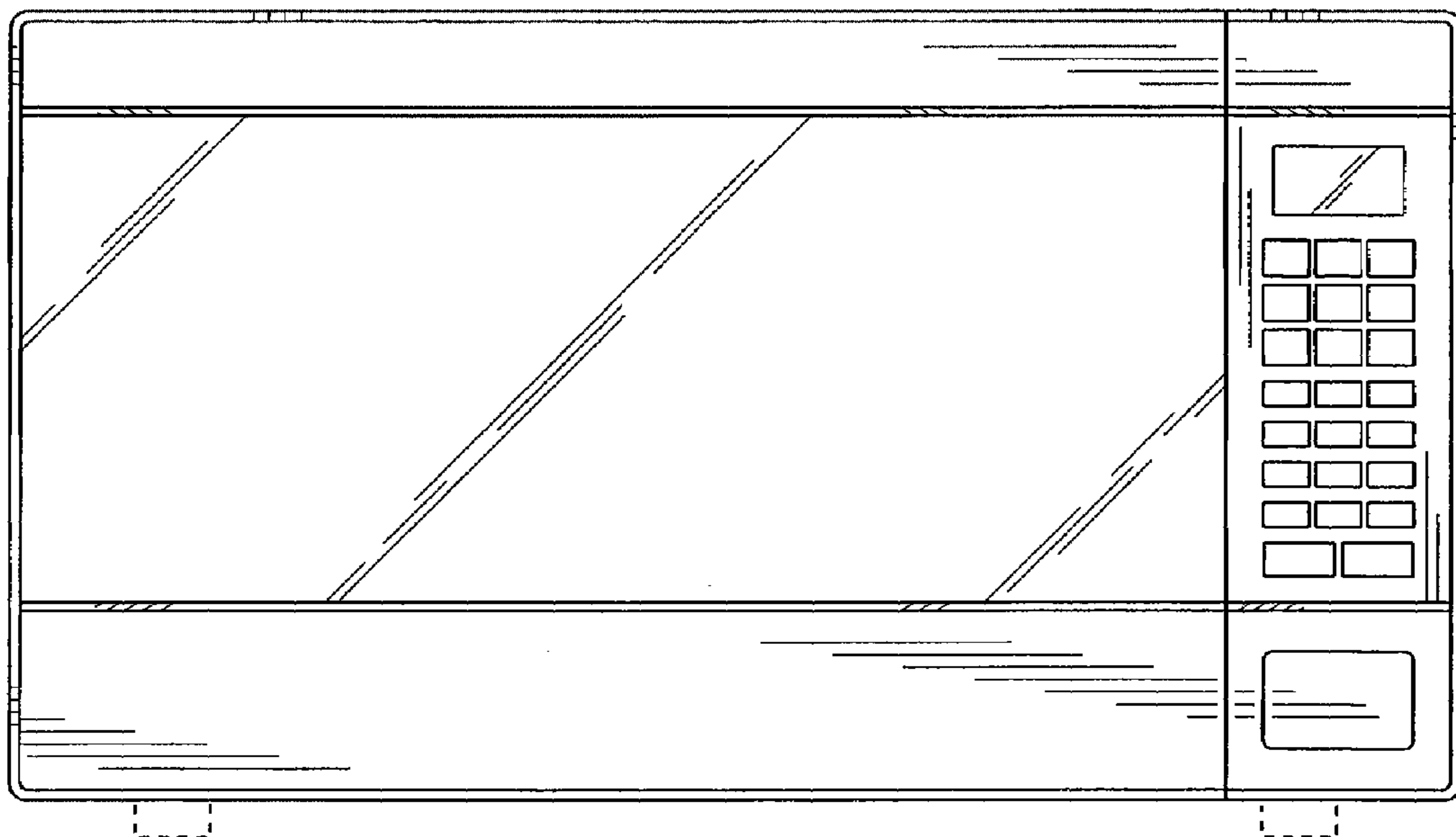


FIG.3

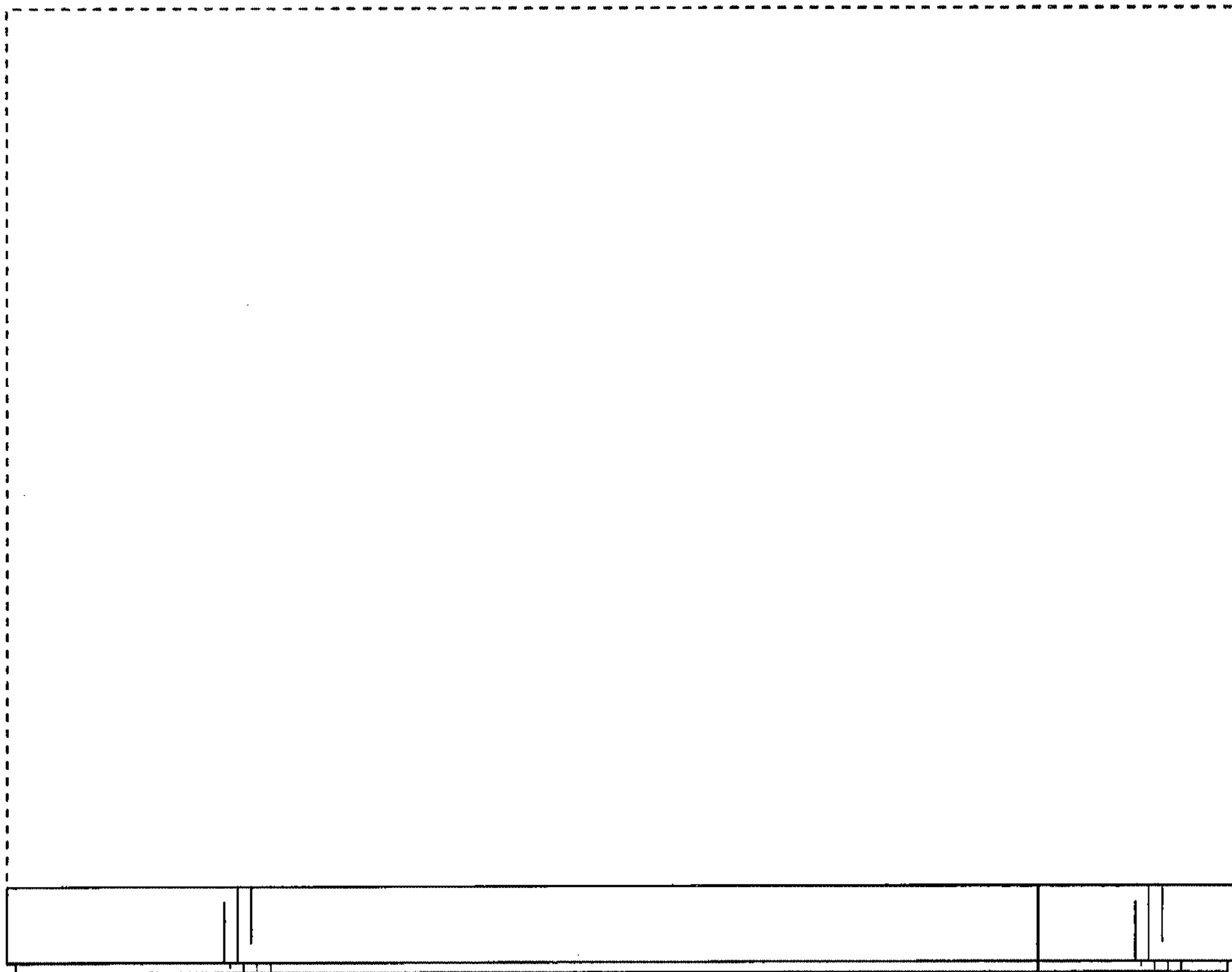


FIG. 4

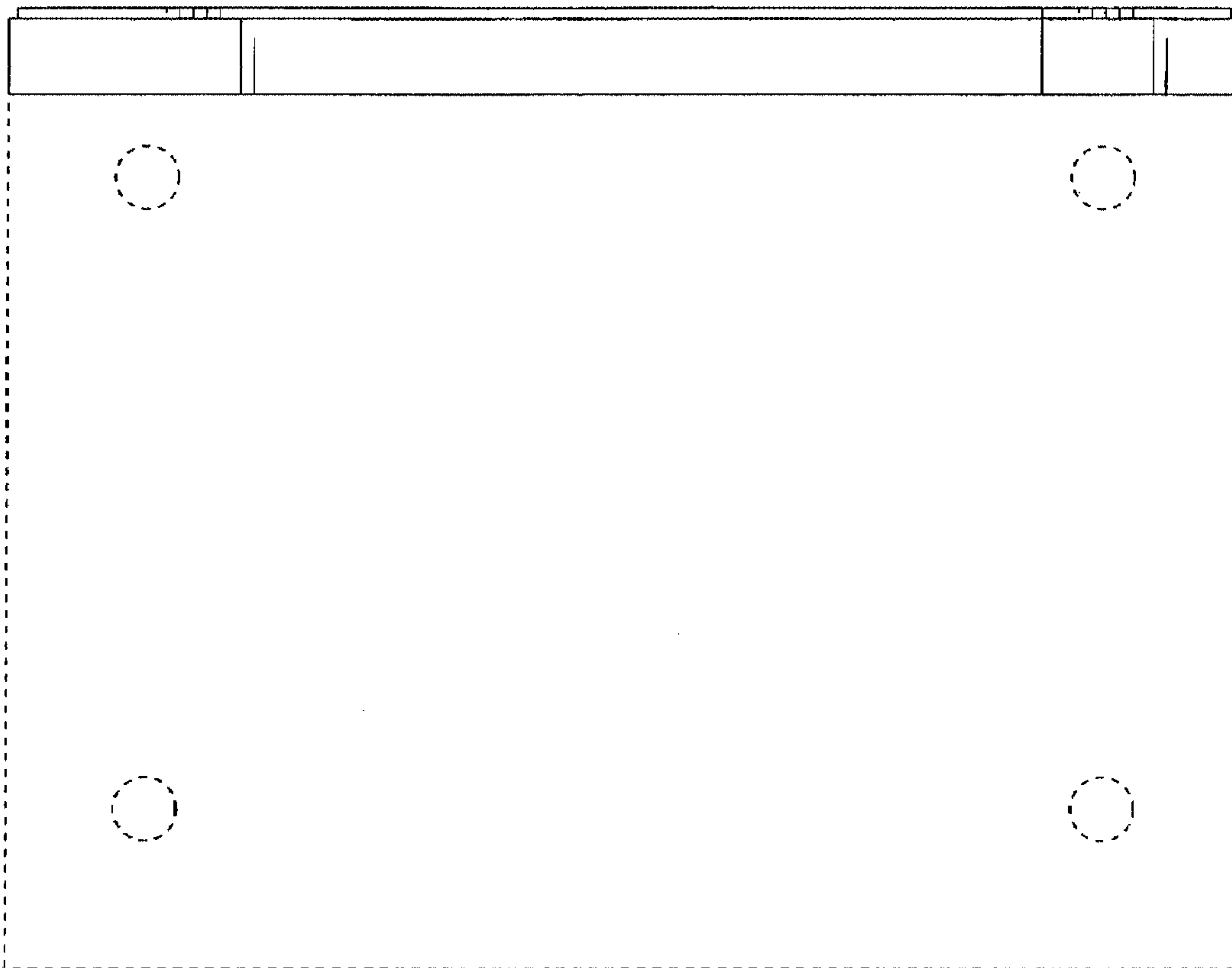


FIG. 5



FIG. 6

