

US00D599159S

(12) **United States Design Patent**  
**Stein**

(10) **Patent No.:** **US D599,159 S**

(45) **Date of Patent:** **\*\* Sep. 1, 2009**

(54) **CONICAL BASE BEVERAGE DISPENSER**

5,509,583 A \* 4/1996 Dolson ..... 222/185.1  
D489,840 S \* 5/2004 Liao ..... D26/104  
D499,598 S \* 12/2004 Guadalupi ..... D7/306  
D543,768 S \* 6/2007 Ford ..... D7/301

(75) Inventor: **David J. Stein**, Columbus, OH (US)

(73) Assignee: **BeerTubes.com, LLC**, Columbus, OH (US)

\* cited by examiner

(\*\*) Term: **14 Years**

*Primary Examiner*—Marianne Pandozzi

(21) Appl. No.: **29/337,901**

(74) *Attorney, Agent, or Firm*—Michael J. Gallagher; David J. Dawsey; Gallagher & Dawsey Co., L.P.A.

(22) Filed: **Jun. 1, 2009**

(57) **CLAIM**

(51) **LOC (9) Cl.** ..... **07-01**

I claim the ornamental design for a conical base beverage dispenser, as shown and described.

(52) **U.S. Cl.** ..... **D7/306; D7/313**

(58) **Field of Classification Search** ..... D7/313,  
D7/306, 300, 301, 901, 515, 606; D9/668;  
222/129.1, 185.1, 146.6; D20/5; D23/201  
See application file for complete search history.

**DESCRIPTION**

(56) **References Cited**

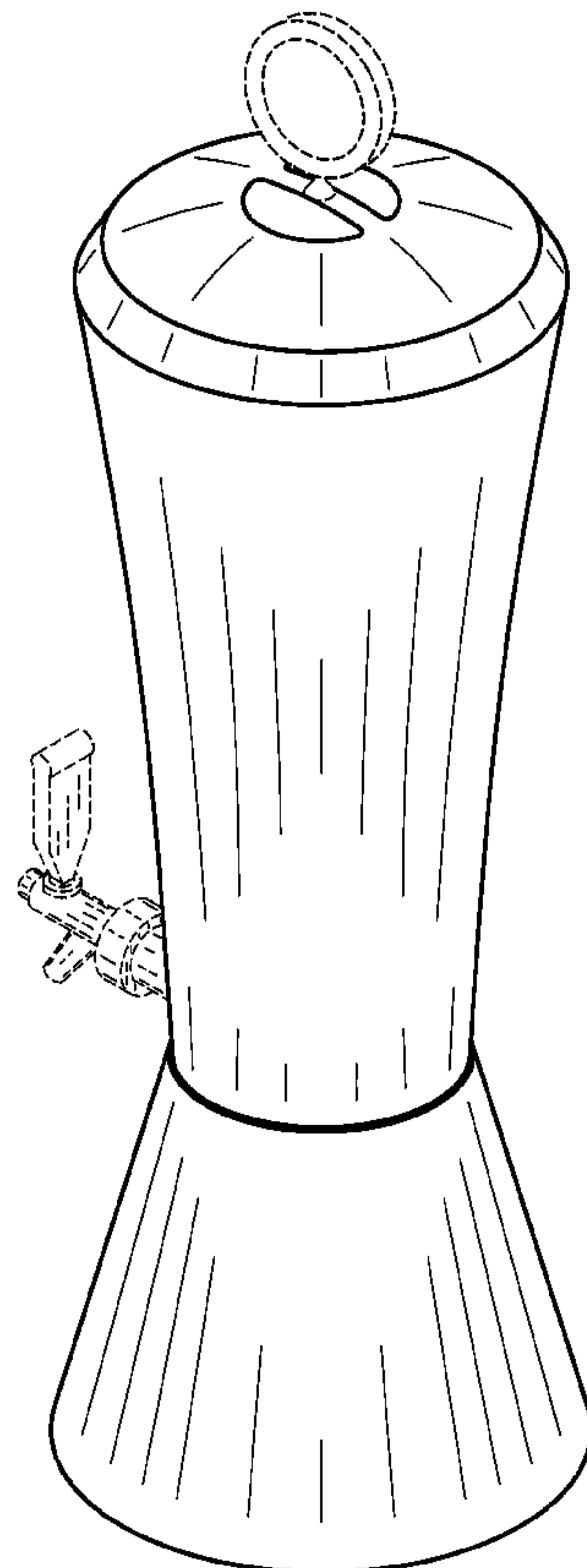
**U.S. PATENT DOCUMENTS**

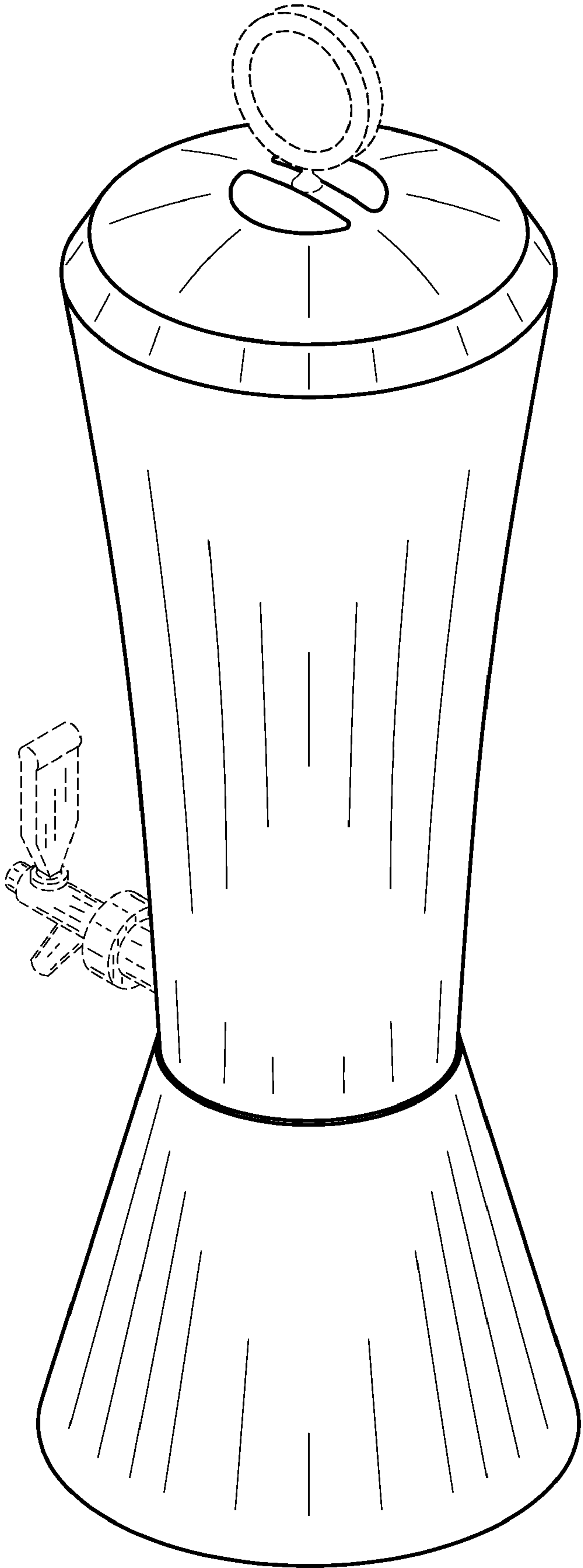
D67,557 S \* 6/1925 Travis ..... D7/313  
1,574,495 A \* 2/1926 Look ..... 222/159  
D75,151 S \* 5/1928 Cordley ..... D7/313  
D88,350 S \* 11/1932 Green ..... D7/313  
D169,793 S \* 6/1953 Sieling ..... D7/313  
D194,117 S \* 11/1962 Welm ..... D7/313  
D199,408 S \* 10/1964 Falske ..... D7/313  
3,570,156 A \* 3/1971 Walker ..... 40/406  
D335,625 S \* 5/1993 Dolson ..... D7/306

FIG. 1 is a perspective view of a conical base beverage dispenser showing my new design;  
FIG. 2 is a front elevation view thereof;  
FIG. 3 is a rear elevation view thereof;  
FIG. 4 is a right side elevation view thereof;  
FIG. 5 is a left side elevation view thereof;  
FIG. 6 is a top plan view thereof; and,  
FIG. 7 is a bottom plan view thereof.

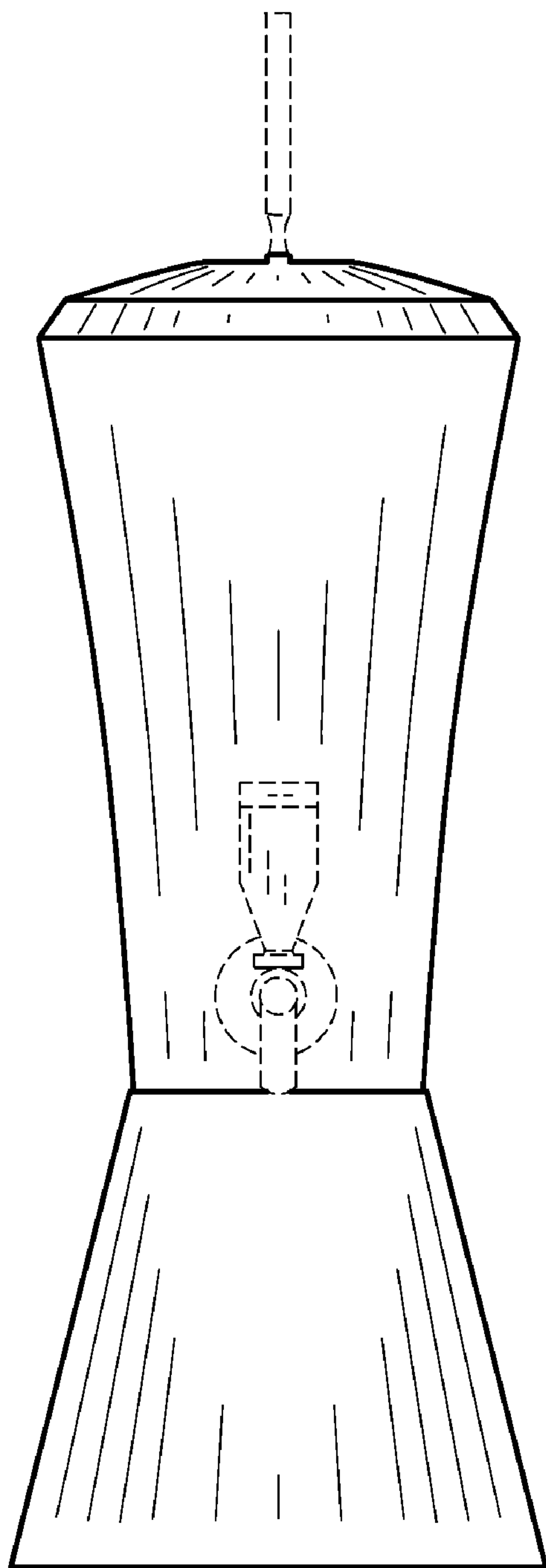
The broken lines are for illustrative purposes only and form no part of the claimed design.

**1 Claim, 4 Drawing Sheets**

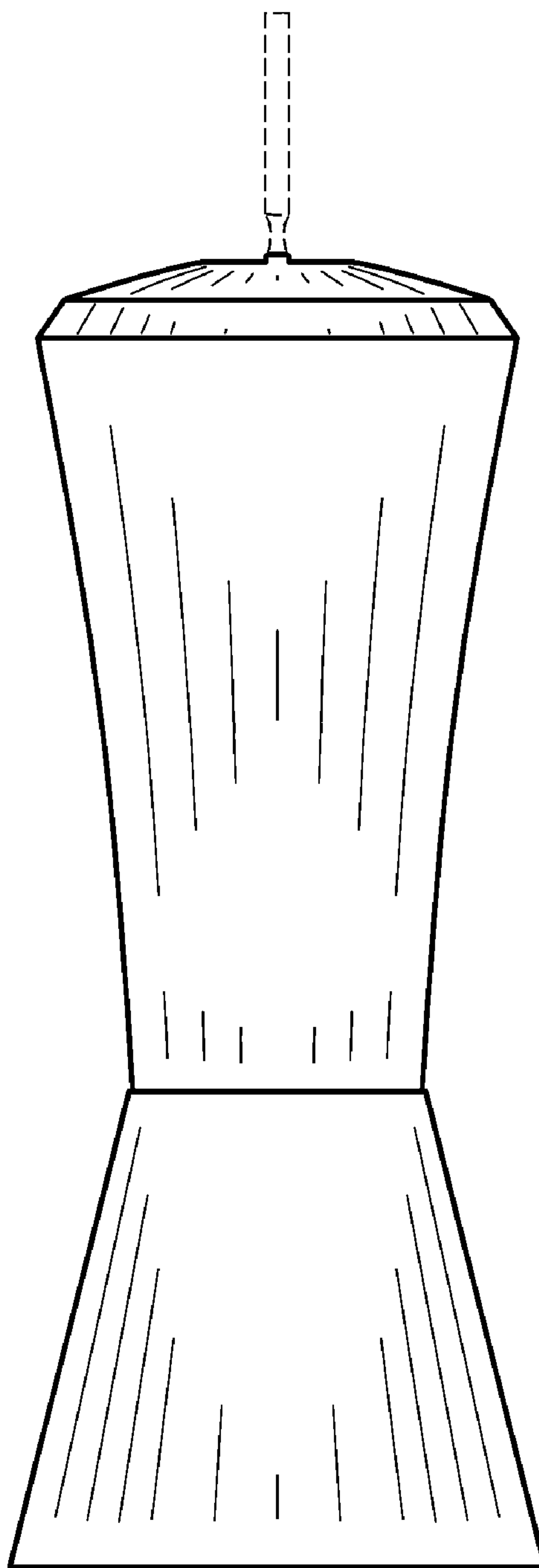




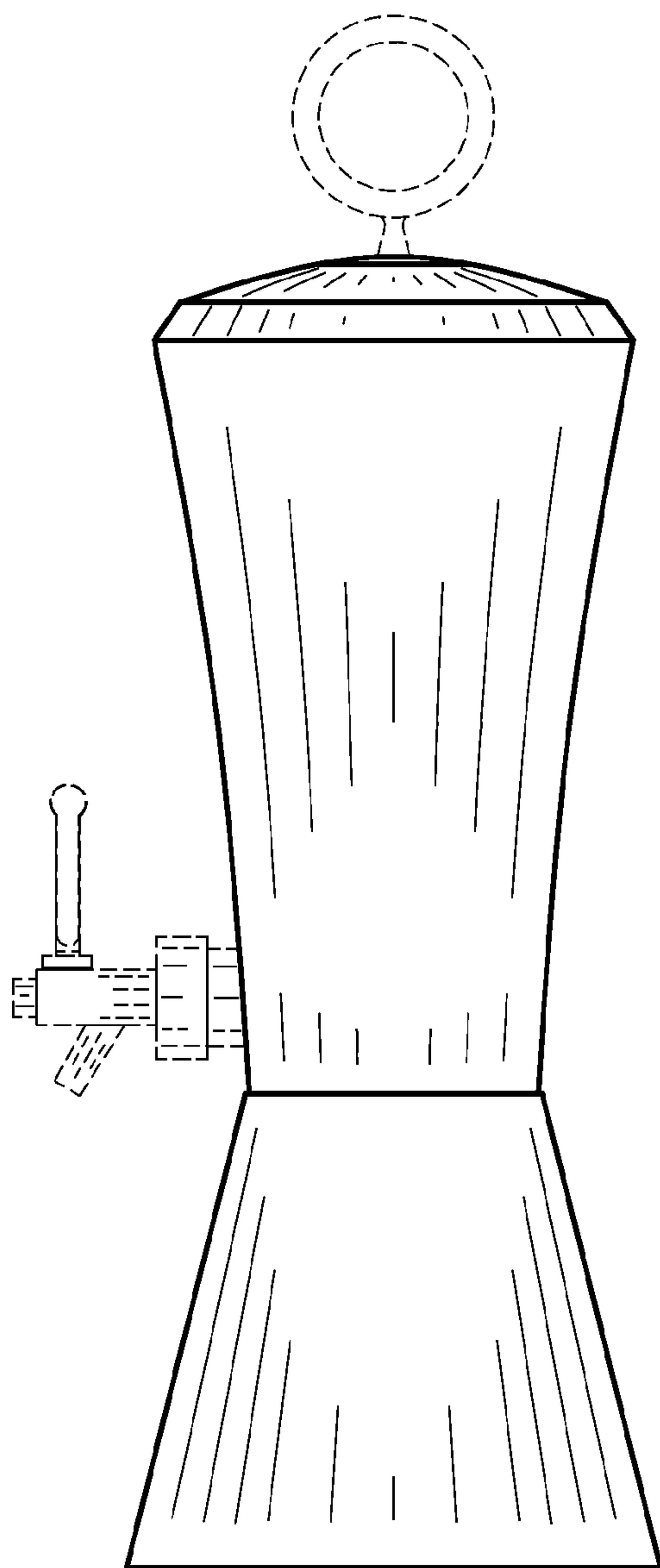
*Fig. 1*



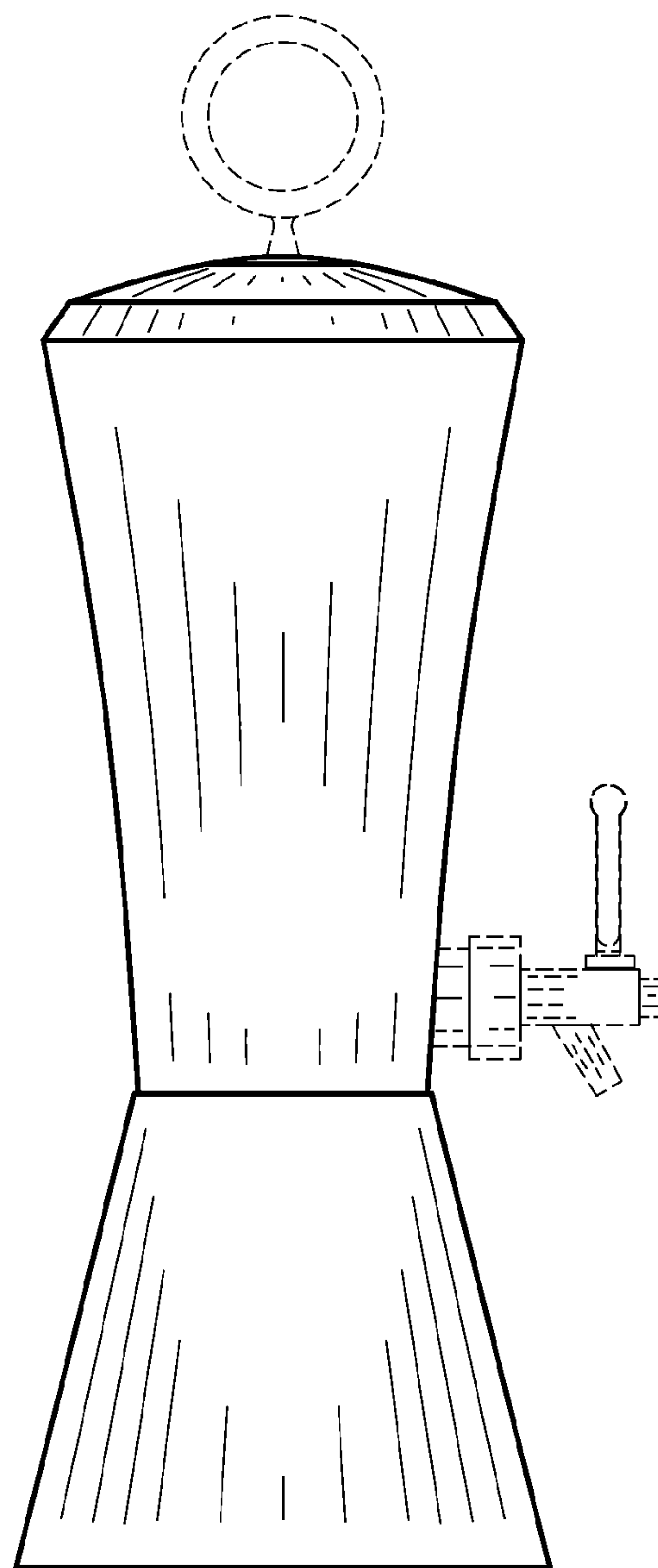
*Fig. 2*



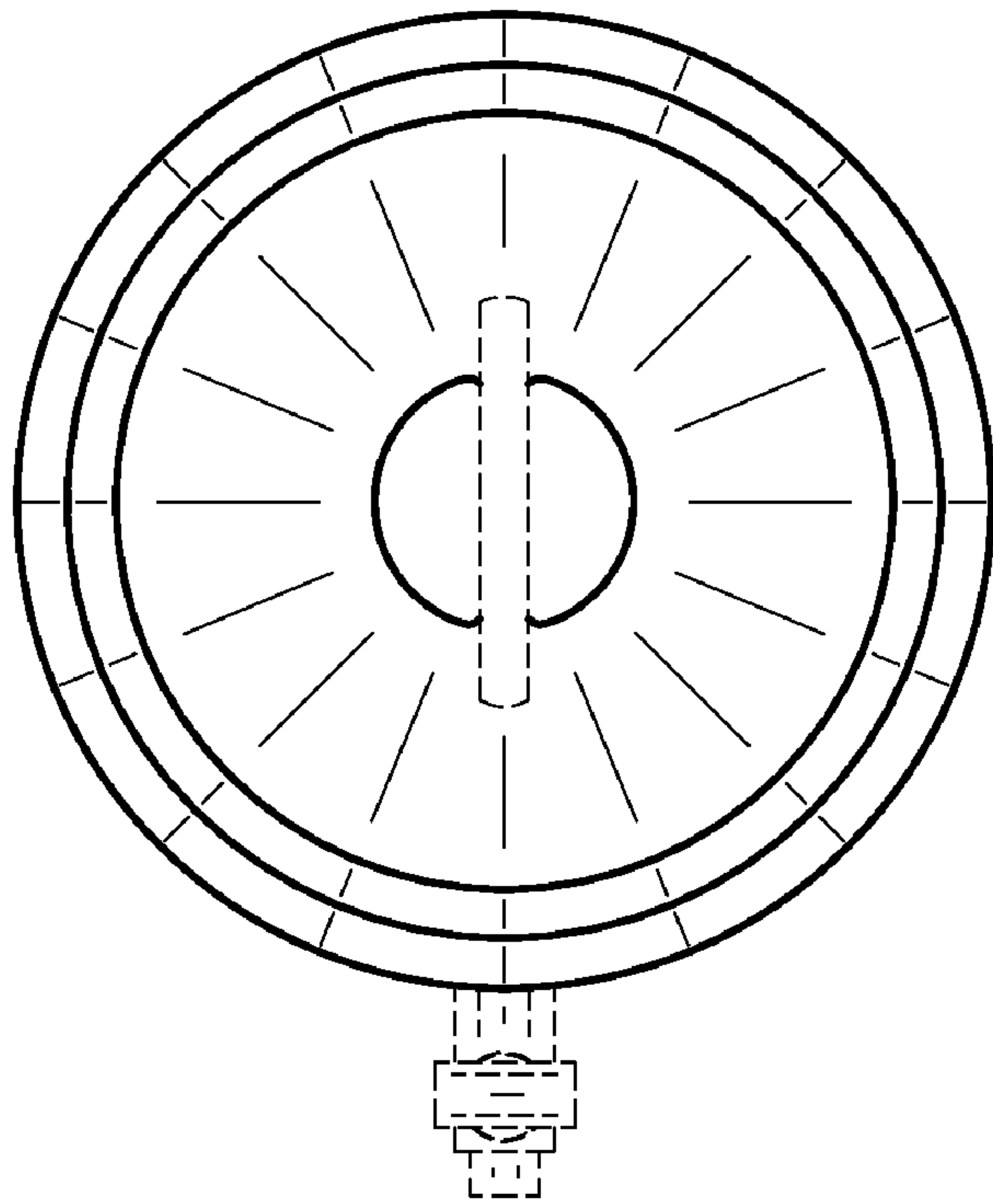
*Fig. 3*



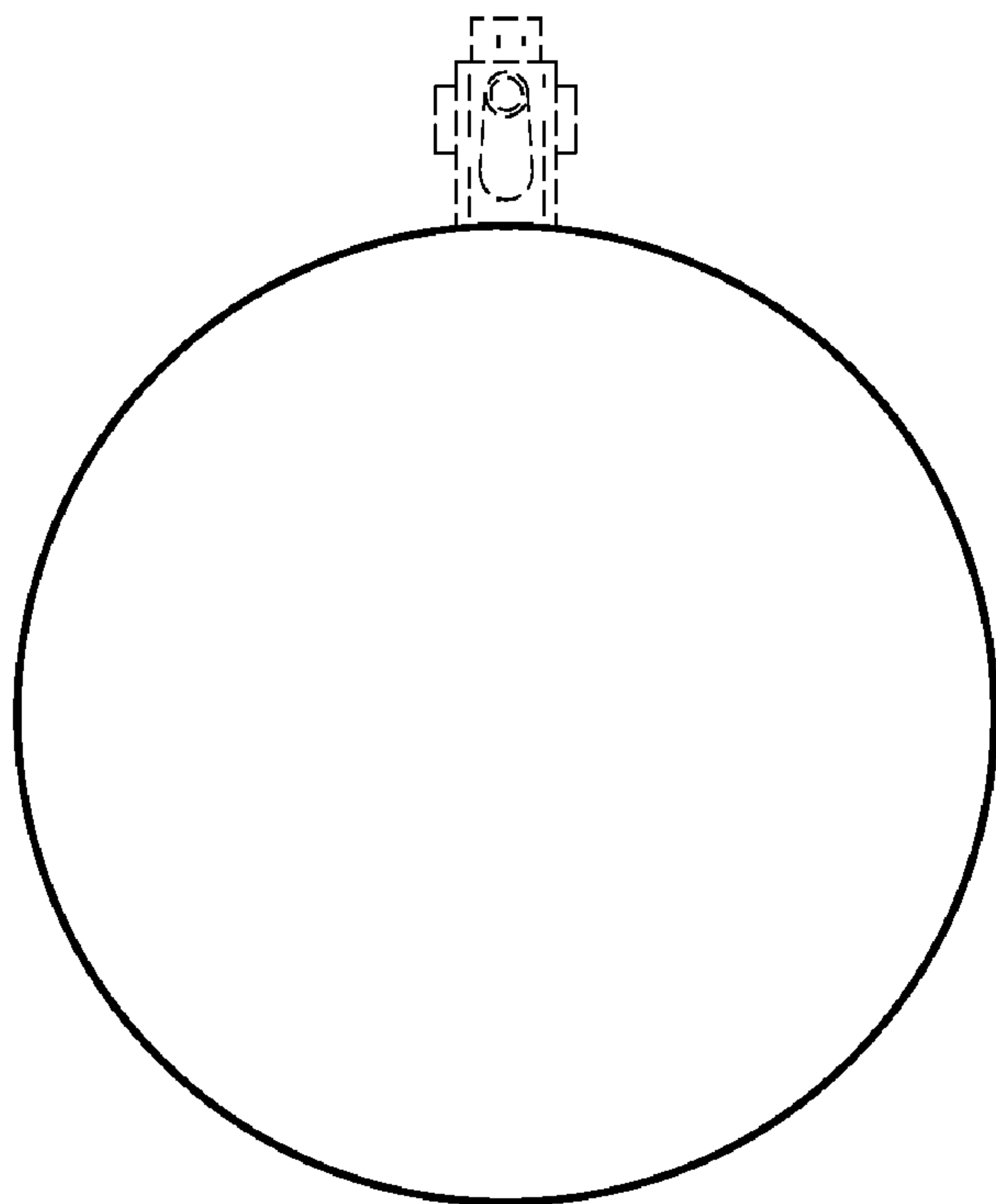
*Fig. 4*



*Fig. 5*



*Fig. 6*



*Fig. 7*