

US00D599153S

(12) **United States Design Patent**  
**Wynalda, Jr. et al.**

(10) **Patent No.:** **US D599,153 S**  
(45) **Date of Patent:** **\*\* Sep. 1, 2009**

(54) **MERCHANDISE STORAGE CONTAINER**

(76) Inventors: **Robert M. Wynalda, Jr.**, P.O. Box 370,  
Belmont, MI (US) 49306; **Robert G.  
Rajter, Jr.**, P.O. Box 370, Belmont, MI  
(US) 49306

(\*\*) Term: **14 Years**

(21) Appl. No.: **29/323,754**

(22) Filed: **Aug. 29, 2008**

(51) **LOC (9) Cl.** ..... **06-02**

(52) **U.S. Cl.** ..... **D6/627**

(58) **Field of Classification Search** ..... D6/407,  
D6/626-635; D9/415, 418, 420, 422, 423,  
D9/424, 425, 426, 428, 432, 433; D19/26,  
D19/27; 206/307, 307.1, 308.1, 309, 311,  
206/312, 313, 310, 751; 211/40, 41.1, 41.12;  
D3/273, 294, 295, 299-301, 303, 271.2;  
D21/655

See application file for complete search history.

(56) **References Cited**

**U.S. PATENT DOCUMENTS**

5,085,318 A \* 2/1992 Leverick ..... 206/308.1  
D360,360 S \* 7/1995 Kiolbasa ..... D9/433  
5,460,265 A \* 10/1995 Kiolbasa ..... 206/308.1  
D387,976 S \* 12/1997 Mori ..... D6/634  
D406,002 S \* 2/1999 Price ..... D6/634

D417,974 S \* 12/1999 Mori ..... D6/407  
D428,730 S \* 8/2000 Farnstrom ..... D6/407  
D430,445 S \* 9/2000 Pozzoli ..... D6/634  
D433,808 S \* 11/2000 Moorhouse, Sr. .... D3/303  
D443,435 S \* 6/2001 Farnstrom ..... D6/407  
D451,384 S \* 12/2001 Faulstich ..... D9/422

\* cited by examiner

*Primary Examiner*—Charles A Rademaker

*Assistant Examiner*—Charles D Hanson

(74) *Attorney, Agent, or Firm*—Zollinger & Burleson Ltd

(57) **CLAIM**

The ornamental design for the merchandise storage container,  
as shown and described.

**DESCRIPTION**

FIG. 1 is a perspective view of a merchandise storage con-  
tainer showing our new design;

FIG. 2 is a front view thereof;

FIG. 3 is a rear view thereof;

FIG. 4 is a bottom view thereof;

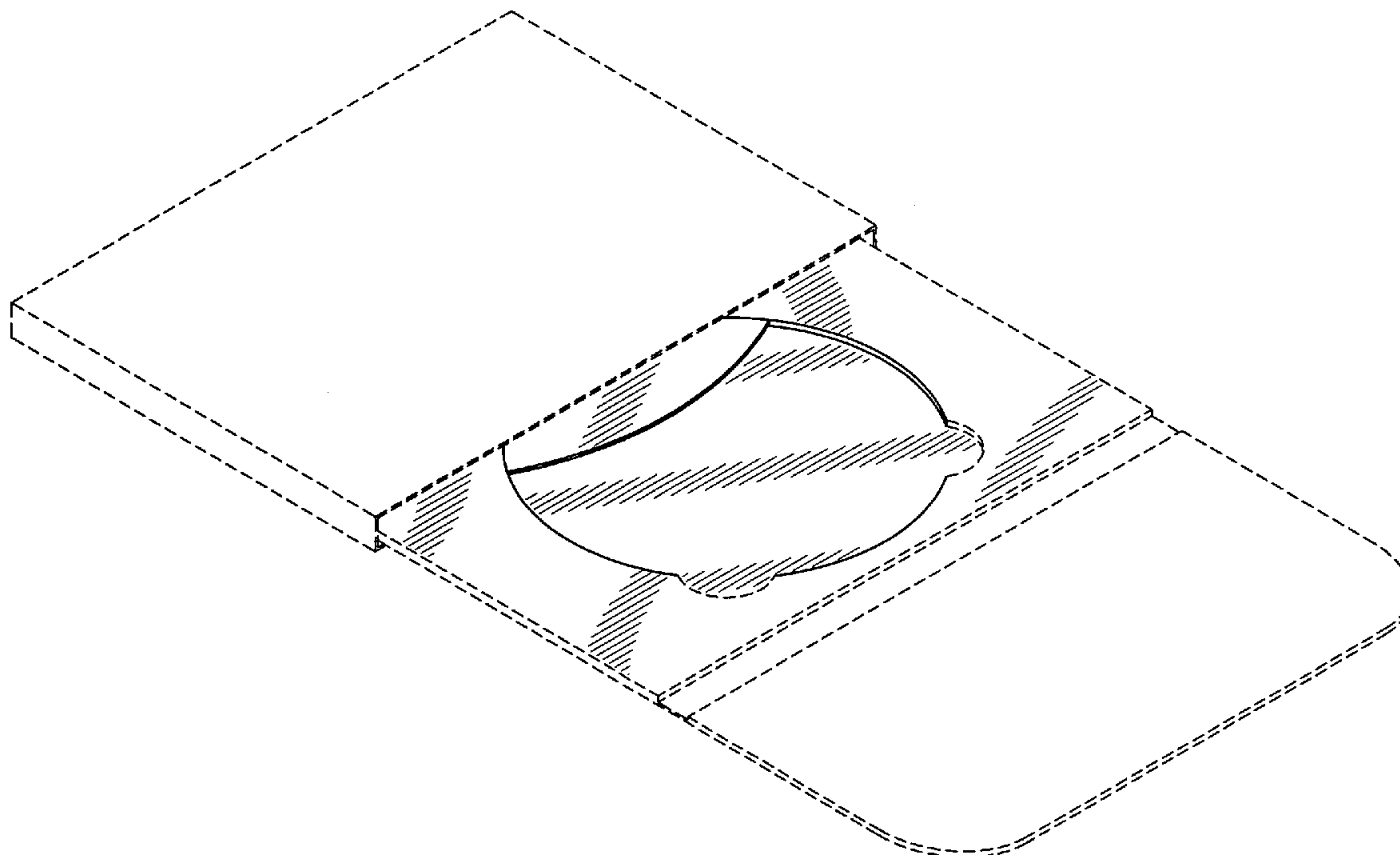
FIG. 5 is a top view thereof;

FIG. 6 is a left side view thereof; and,

FIG. 7 is a right side view thereof.

The broken line showing is included for the purpose of illus-  
trating environment and forms no part of the claimed design.

**1 Claim, 5 Drawing Sheets**



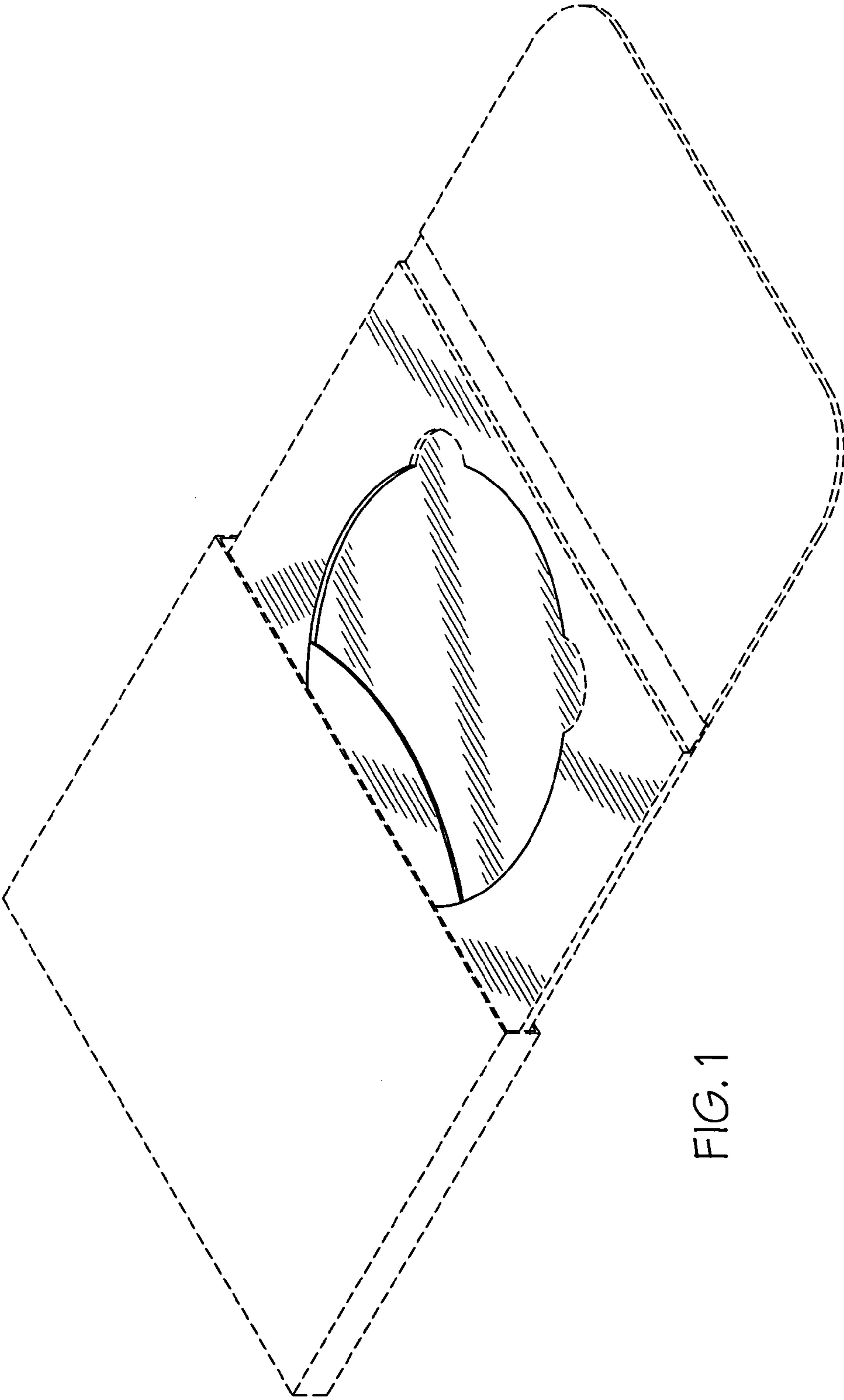


FIG. 1

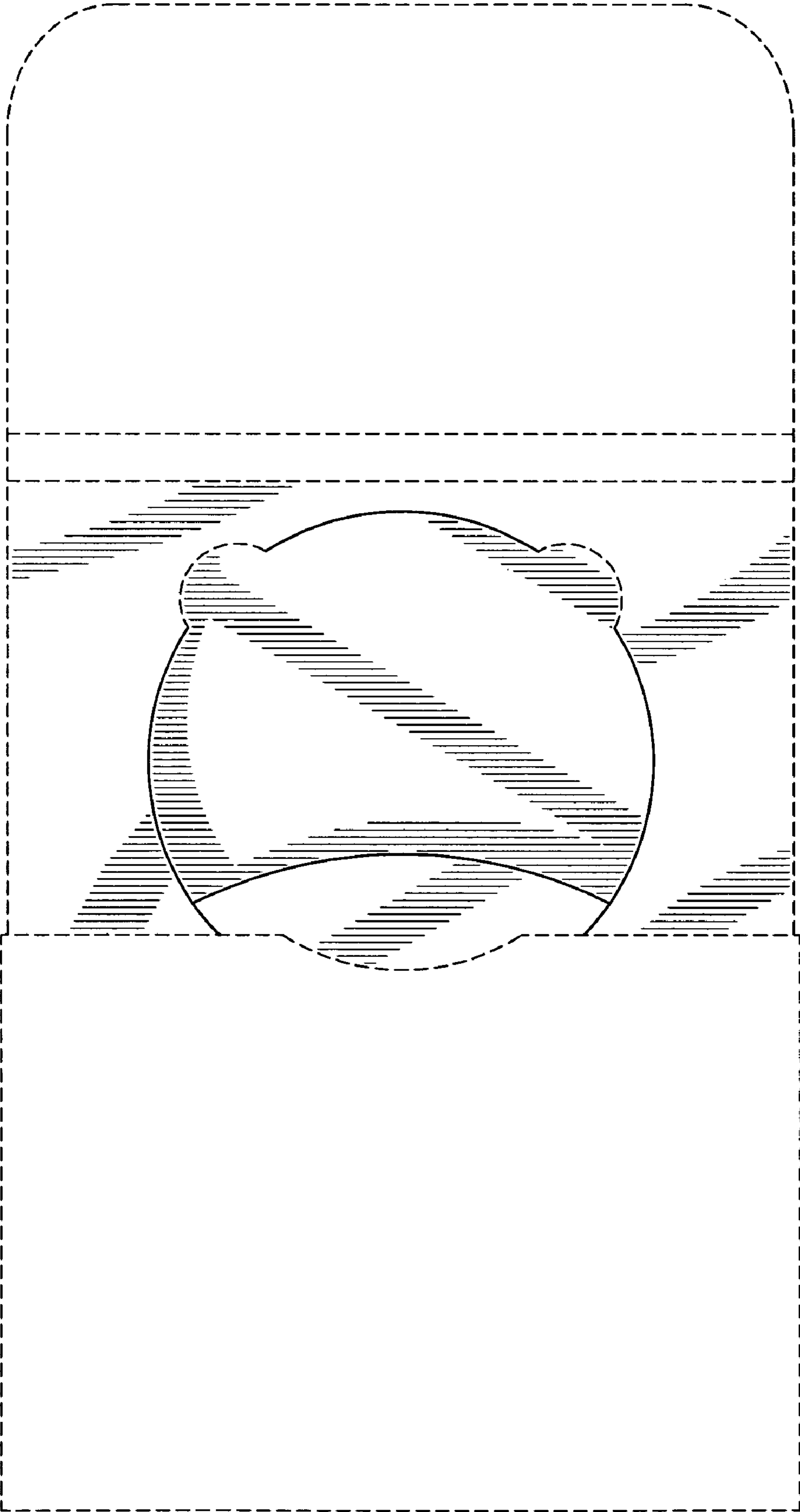


FIG. 2

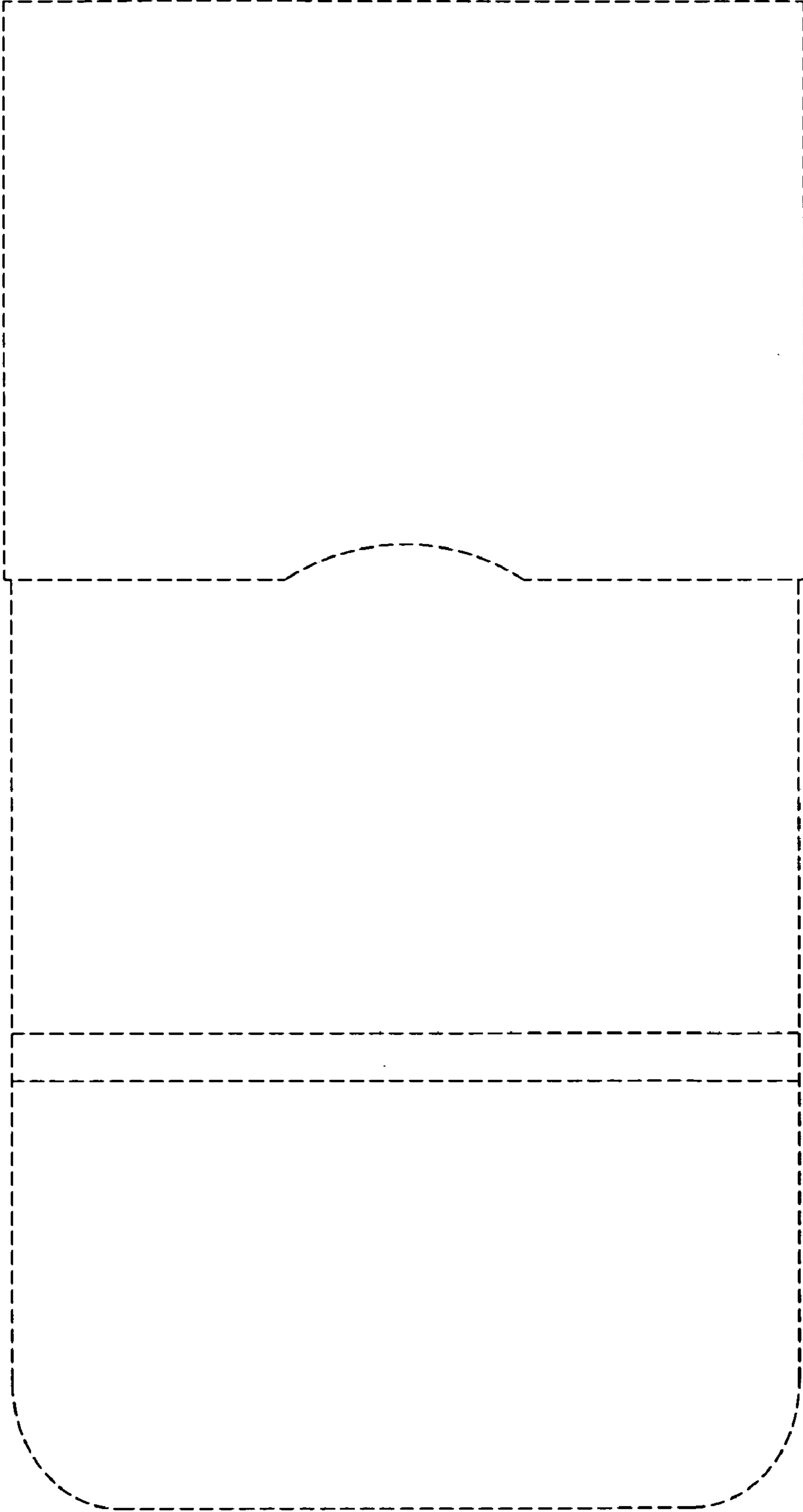


FIG. 3



FIG. 4

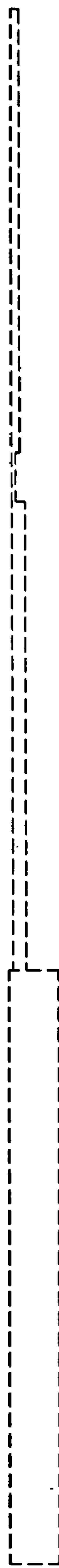


FIG. 5

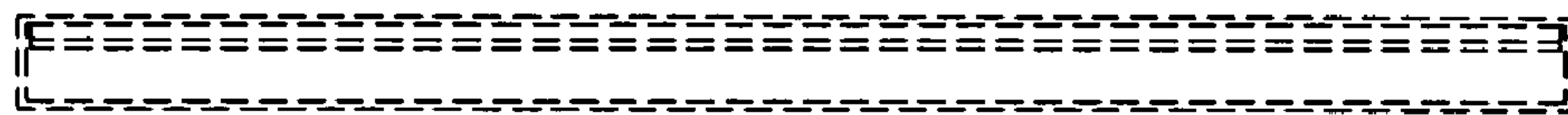


FIG. 7

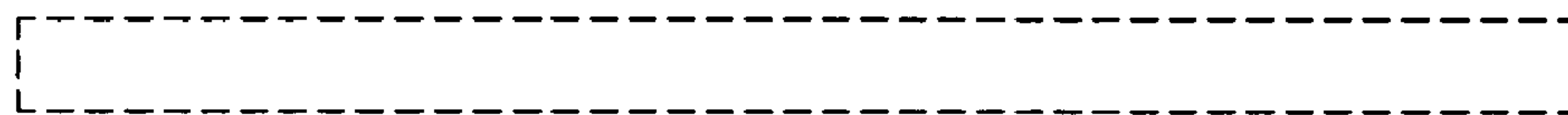


FIG. 6