

US00D599152S

(12) **United States Design Patent**
Yaroshenko

(10) **Patent No.:** **US D599,152 S**

(45) **Date of Patent:** **** Sep. 1, 2009**

(54) **BLANKET**

(76) **Inventor:** **Lyubov Yaroshenko**, 25 Glen View Dr.,
Cranston, RI (US) 02920

(**) **Term:** **14 Years**

(21) **Appl. No.:** **29/294,947**

(22) **Filed:** **Feb. 5, 2008**

(51) **LOC (9) Cl.** **06-09**

(52) **U.S. Cl.** **D6/603**

(58) **Field of Classification Search** D6/595,
D6/596, 599; 5/630, 631, 633, 636, 637,
5/640, 652, 653, 654, 655, 655.3, 417-420,
5/494; D2/718, 719; 2/69, 69.5
See application file for complete search history.

(56) **References Cited**

U.S. PATENT DOCUMENTS

4,261,058	A *	4/1981	Buchman	2/69.5
D396,982	S *	8/1998	Harris	D6/608
6,129,452	A *	10/2000	Hakulin	383/4

6,862,760 B2 * 3/2005 Bradley et al. 5/486

* cited by examiner

Primary Examiner—Janice E Seeger

(57) **CLAIM**

The ornamental design of a blanket, as shown.

DESCRIPTION

FIG. 1 is a top perspective view of a blanket showing my new design;

FIG. 2 is a top plan view thereof;

FIG. 3 is a bottom plan view thereof;

FIG. 4 is a rear view thereof,

FIG. 5 is a front view thereof,

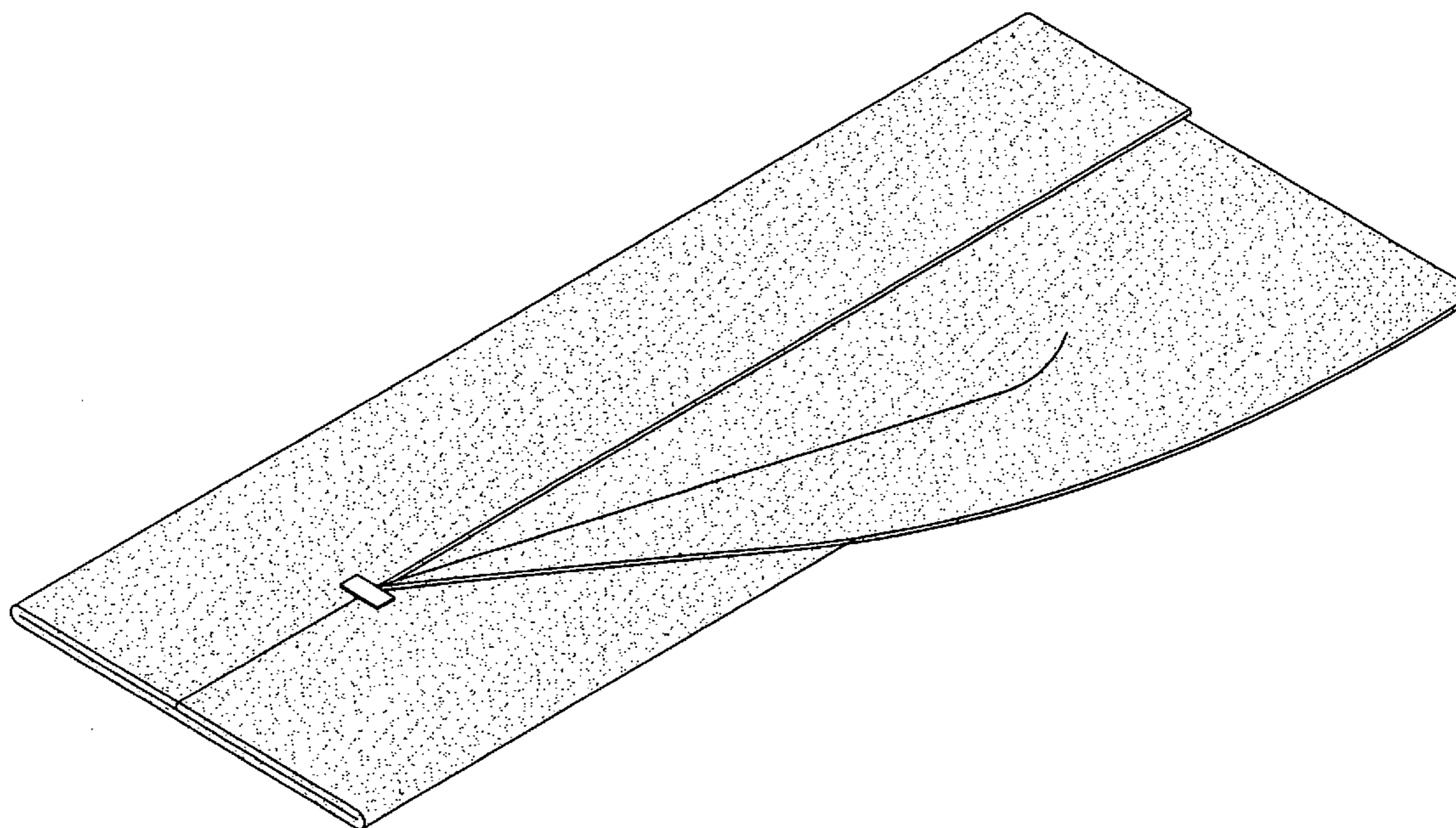
FIG. 6 is a left side view thereof;

FIG. 7 is a right side view thereof;

FIG. 8 is a top perspective open view thereof; and,

FIG. 9 is a top plan open view thereof.

1 Claim, 6 Drawing Sheets



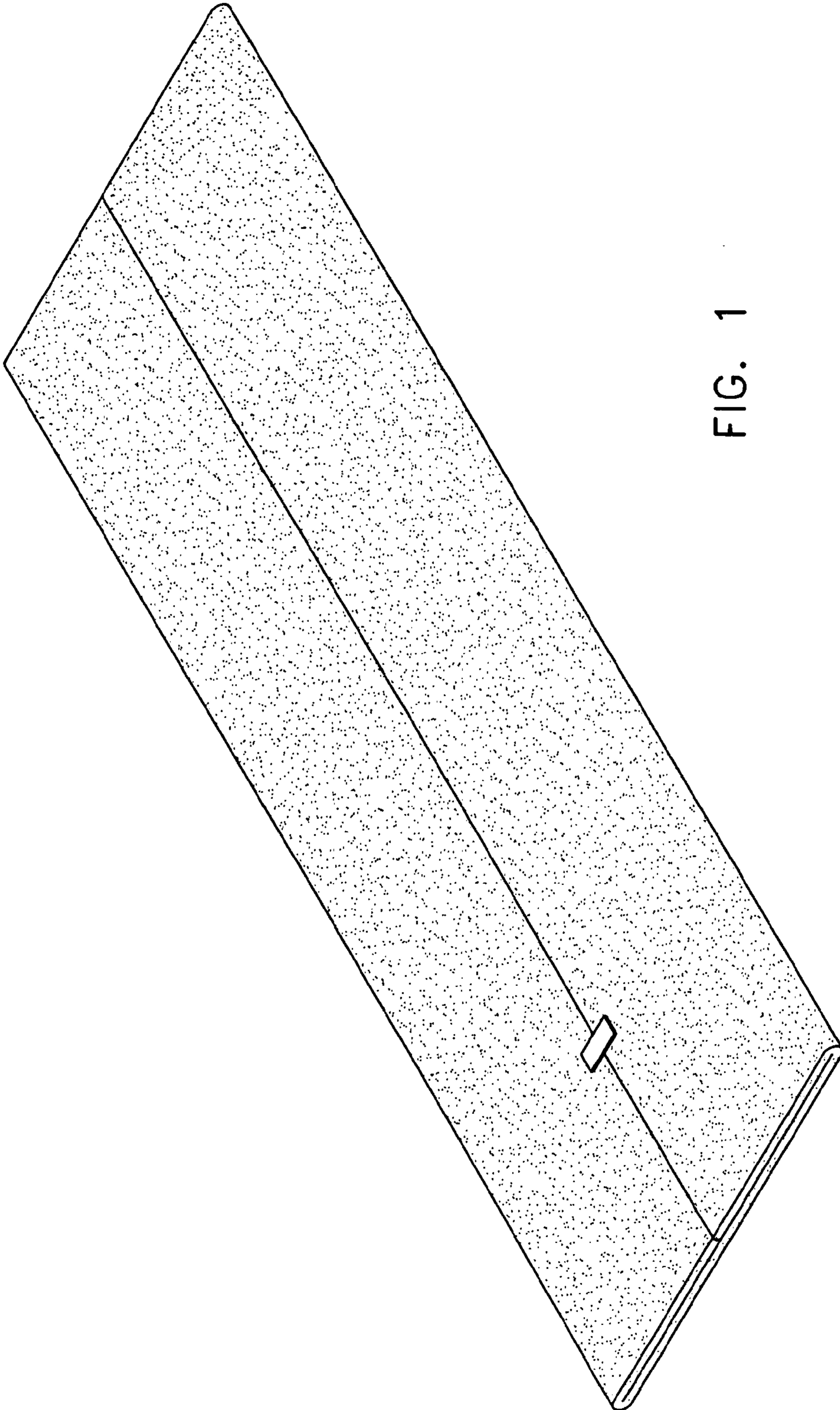


FIG. 1

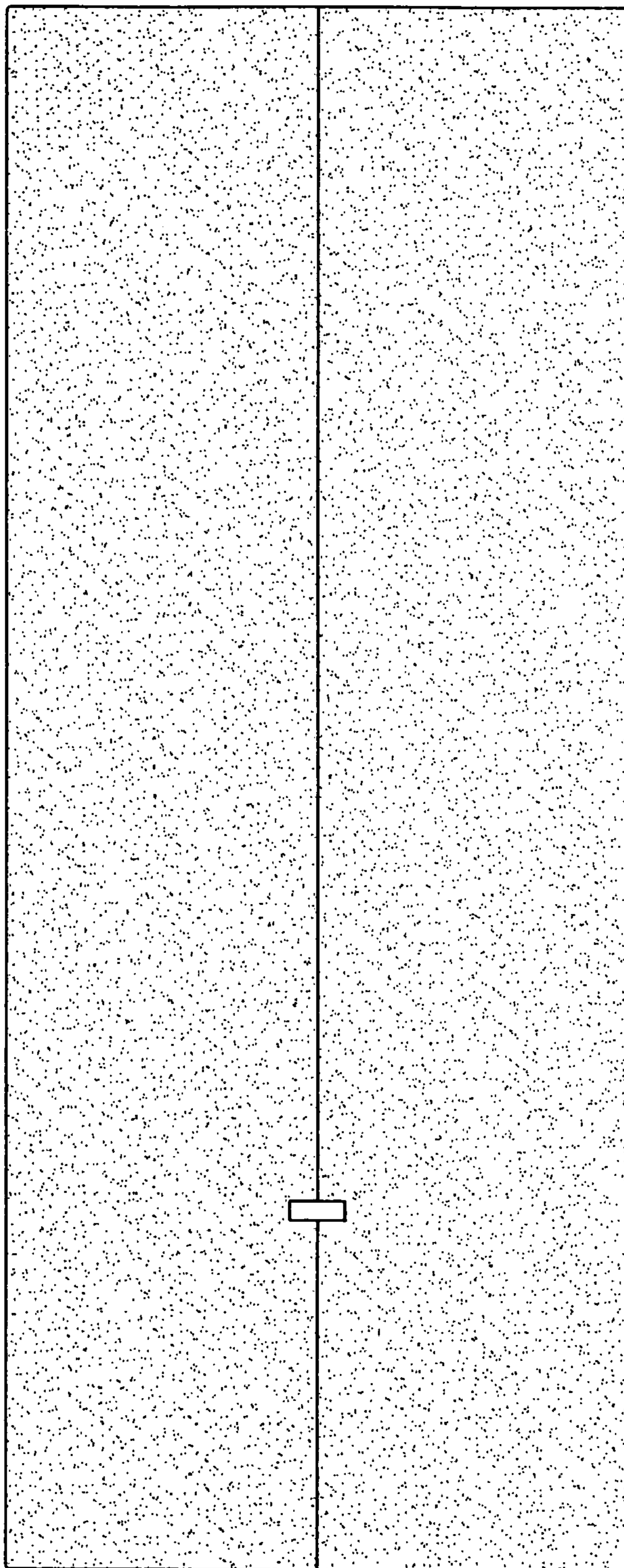


FIG. 2

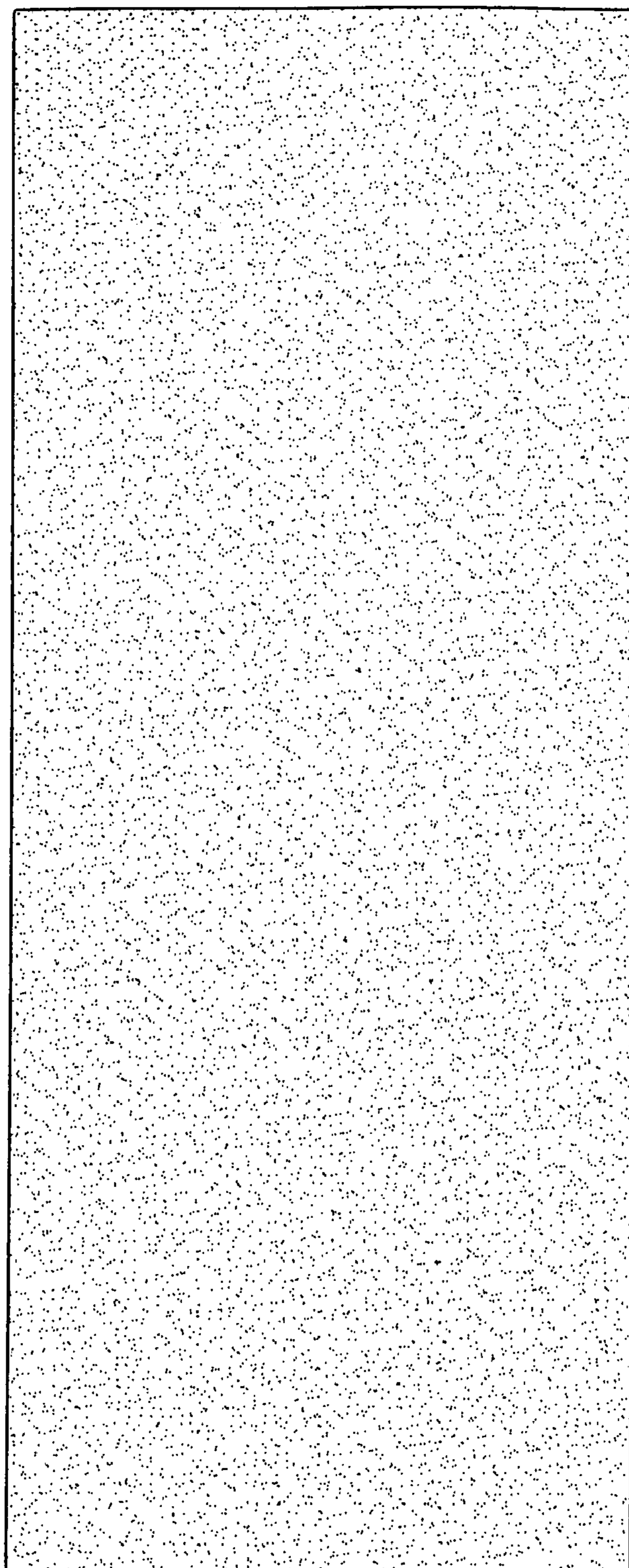


FIG. 3

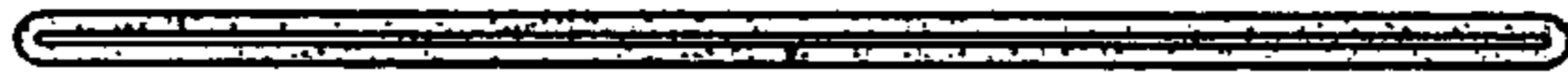


FIG. 4

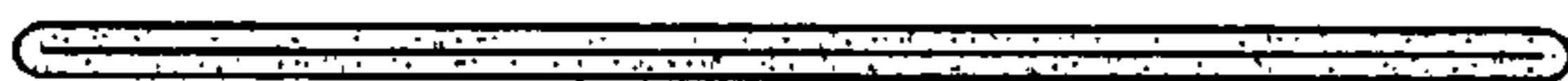


FIG. 5



FIG. 6

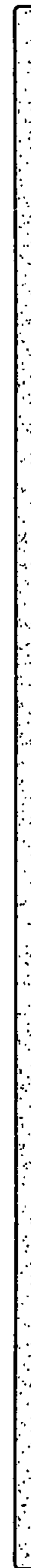


FIG. 7

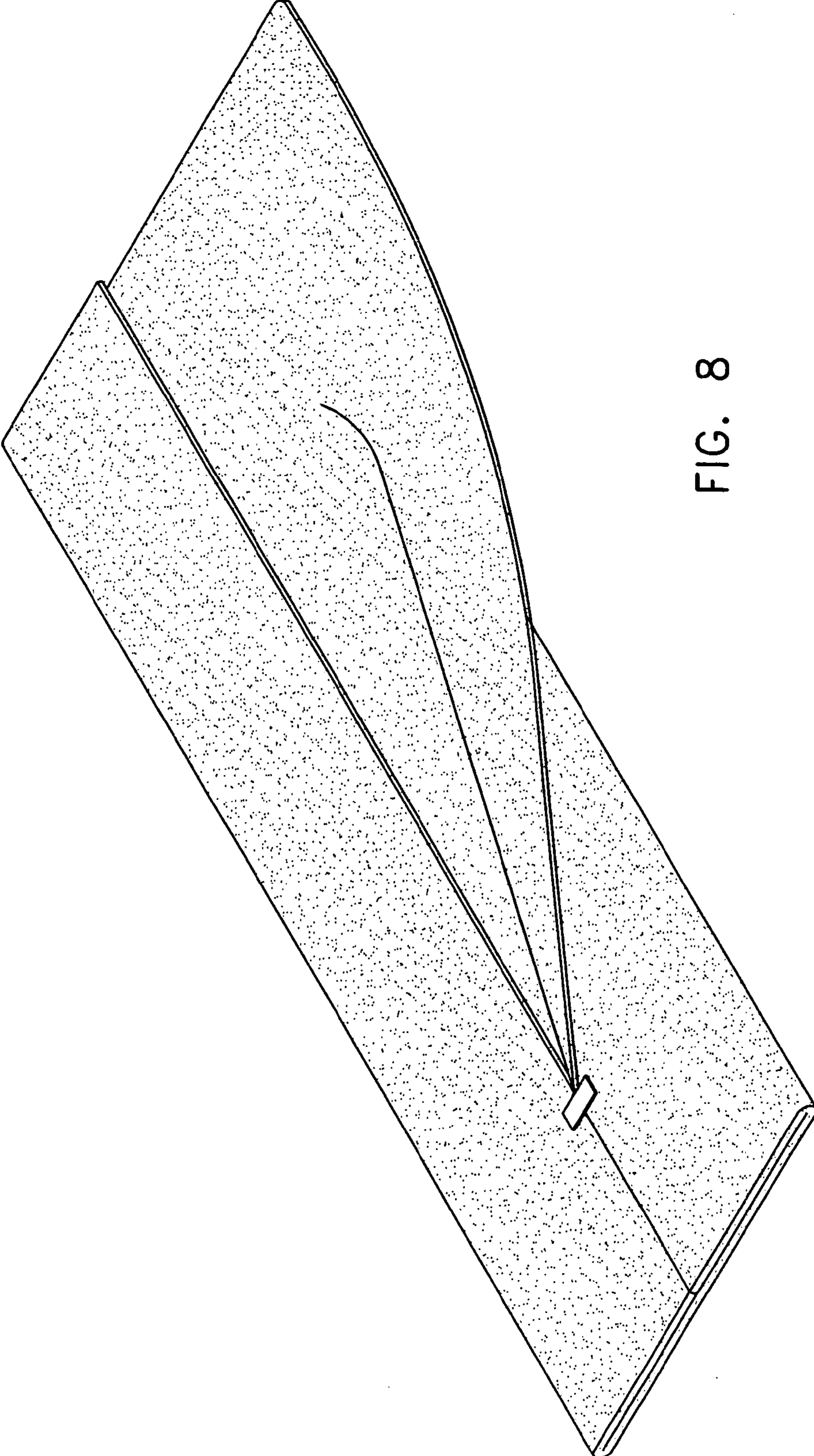


FIG. 8

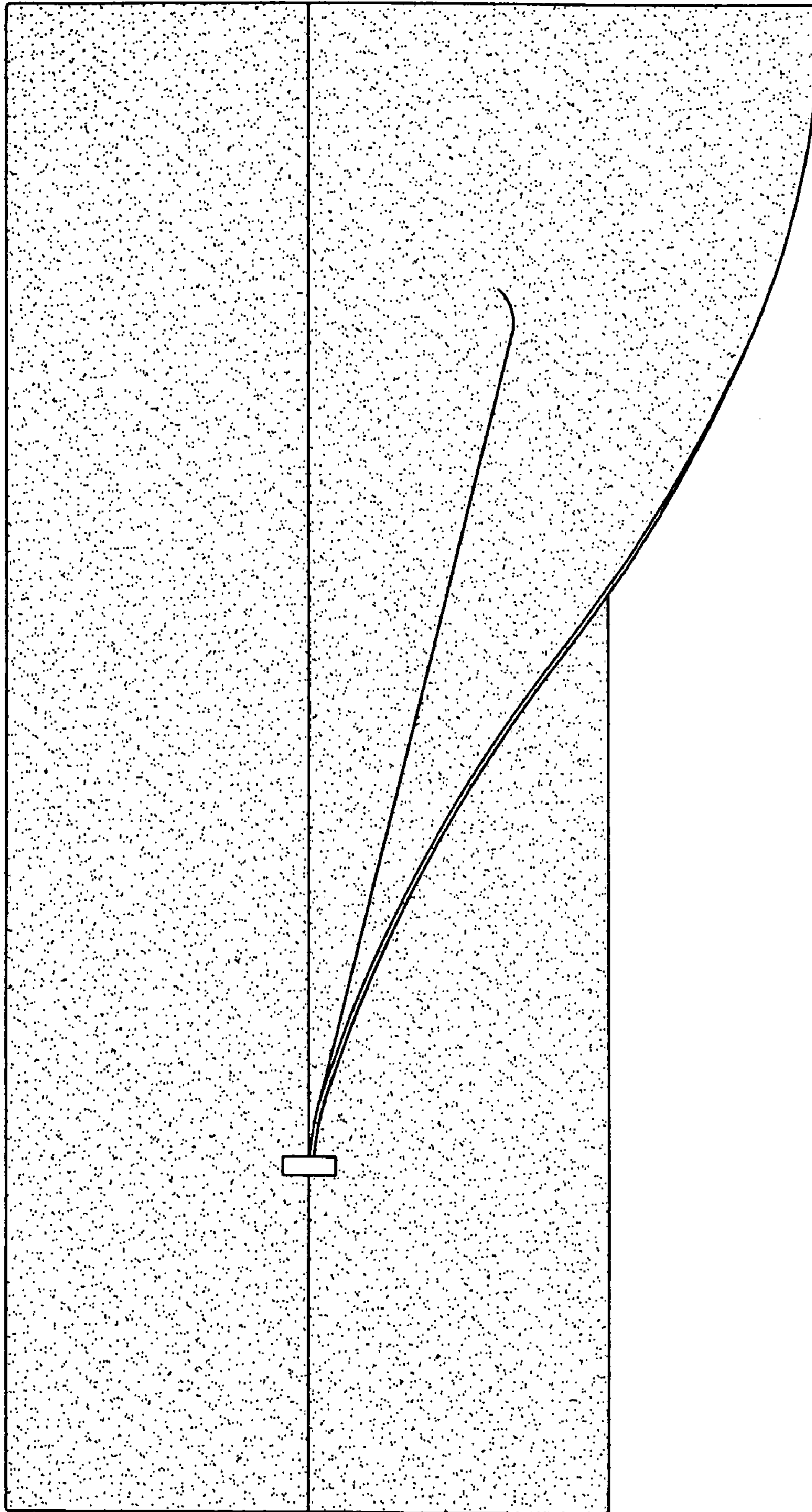


FIG. 9