



US00D599151S

(12) **United States Design Patent**
Wilson

(10) **Patent No.:** **US D599,151 S**

(45) **Date of Patent:** **** Sep. 1, 2009**

(54) **SCROTUM COMFORT SEAT PAD**

(76) **Inventor:** **George Wilson**, 12203-82nd Ave., NE.,
Kirkland, WA (US) 98034

(**) **Term:** **14 Years**

(21) **Appl. No.:** **29/310,622**

(22) **Filed:** **Aug. 29, 2008**

(51) **LOC (9) Cl.** **06-09**

(52) **U.S. Cl.** **D6/601**

(58) **Field of Classification Search** D6/595,
D6/596, 599, 601, 604; 5/630, 631, 633,
5/636, 637, 640, 652-655, 655.3, 655.9,
5/419, 420; D21/809

See application file for complete search history.

(56) **References Cited**

U.S. PATENT DOCUMENTS

3,009,172 A * 11/1961 Eidam 5/632
D260,125 S * 8/1981 Rogers D6/596
D441,587 S * 5/2001 Cameron D6/601
6,457,773 B1 * 10/2002 Gates 297/228.12

D503,580 S * 4/2005 Donoghue D6/601
7,024,712 B2 * 4/2006 Fujita et al. 5/653
D584,012 S * 12/2008 Abernathy D30/118

* cited by examiner

Primary Examiner—Janice E Seeger

(74) *Attorney, Agent, or Firm*—Dean Craine

(57) **CLAIM**

The ornamental design for a scrotum comfort seat pad, as shown and described.

DESCRIPTION

FIG. 1 is a perspective view of the scrotum comfort seat pad.

FIG. 2 is a top plan view of the invention.

FIG. 3 is a bottom plan view of the invention.

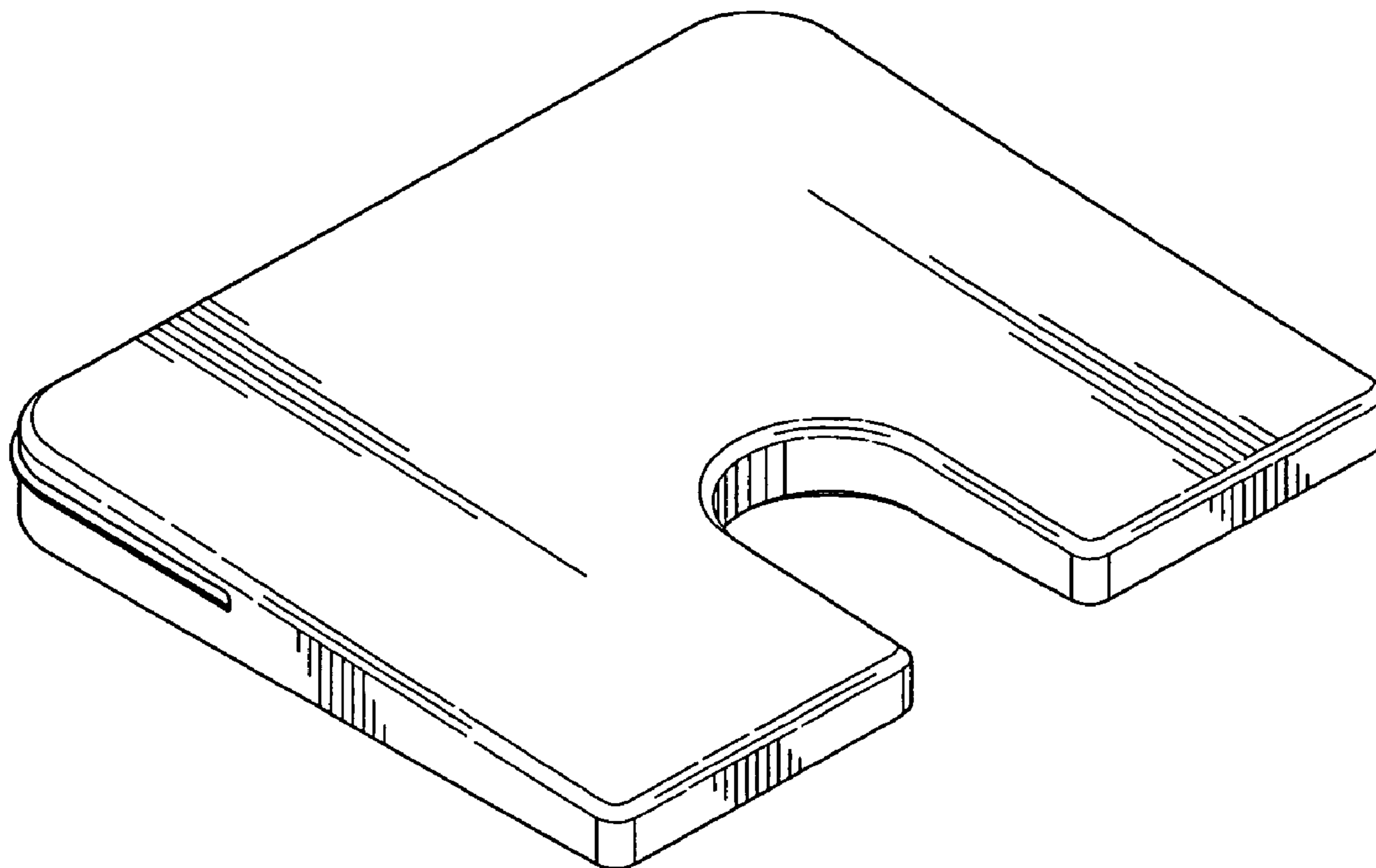
FIG. 4 is a front elevational view of the invention.

FIG. 5 is a rear elevational view of the invention.

FIG. 6 is a right side elevational view of the invention; and,

FIG. 7 is a left side elevational view of the invention.

1 Claim, 2 Drawing Sheets



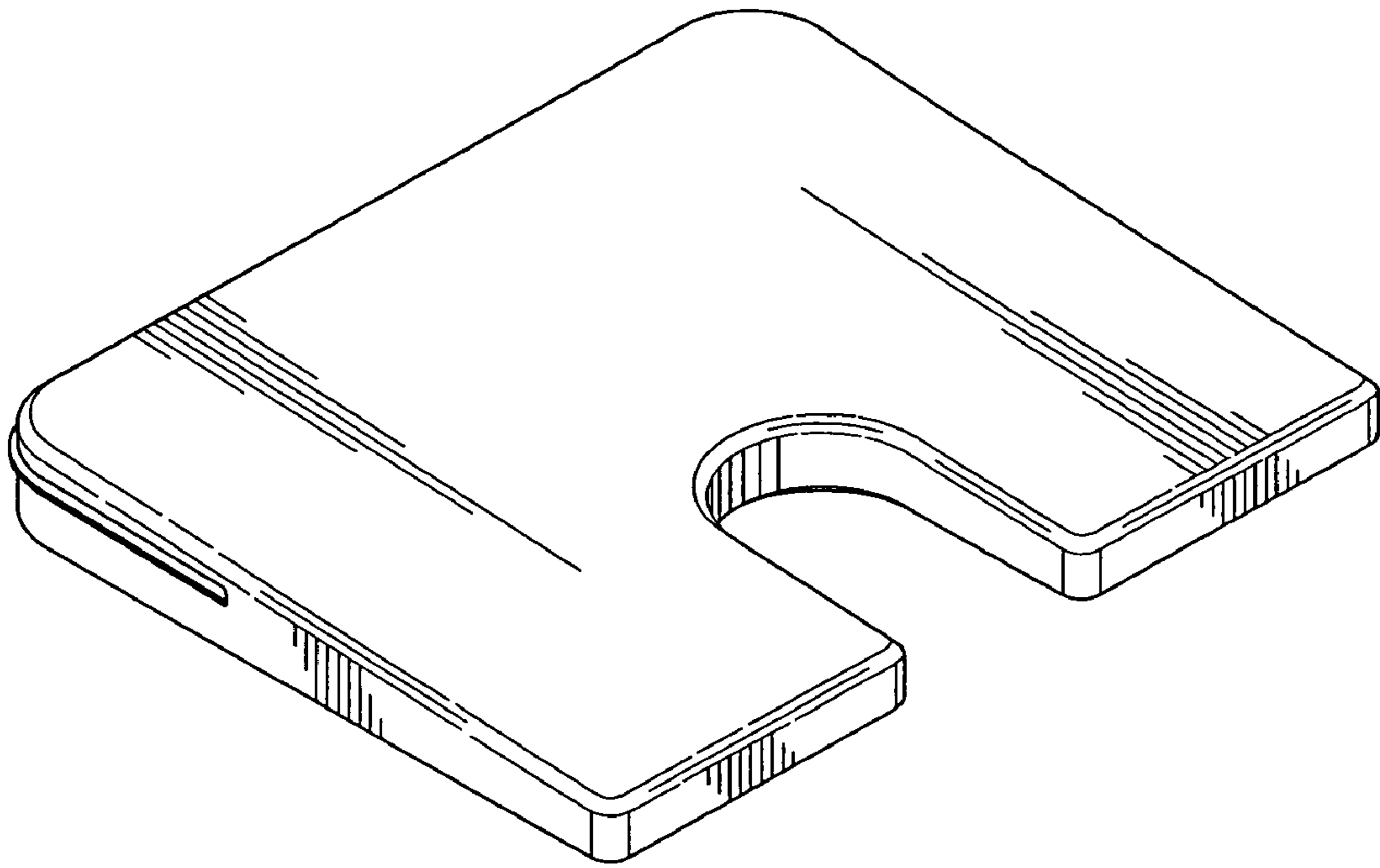


Fig. 1

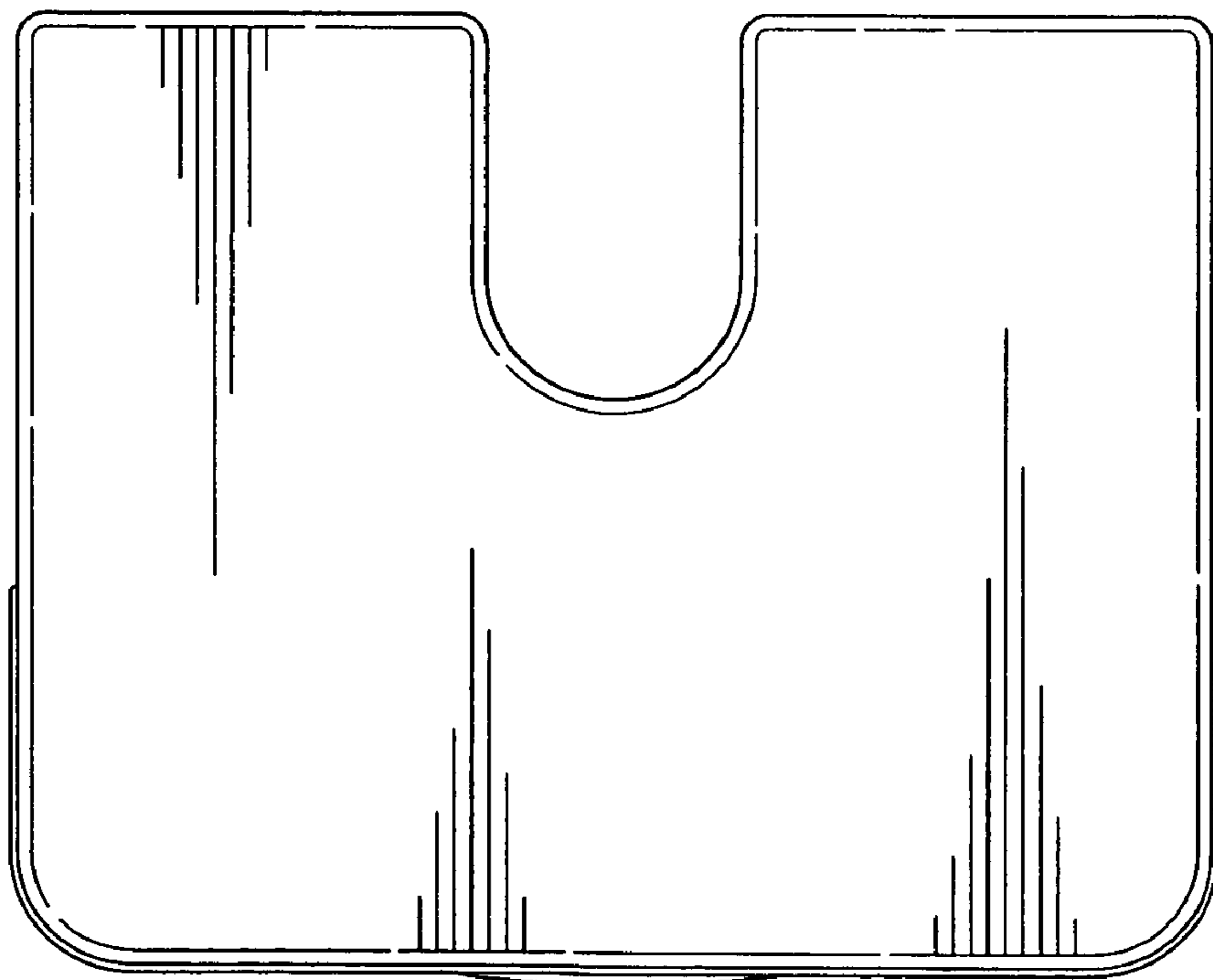


Fig. 2

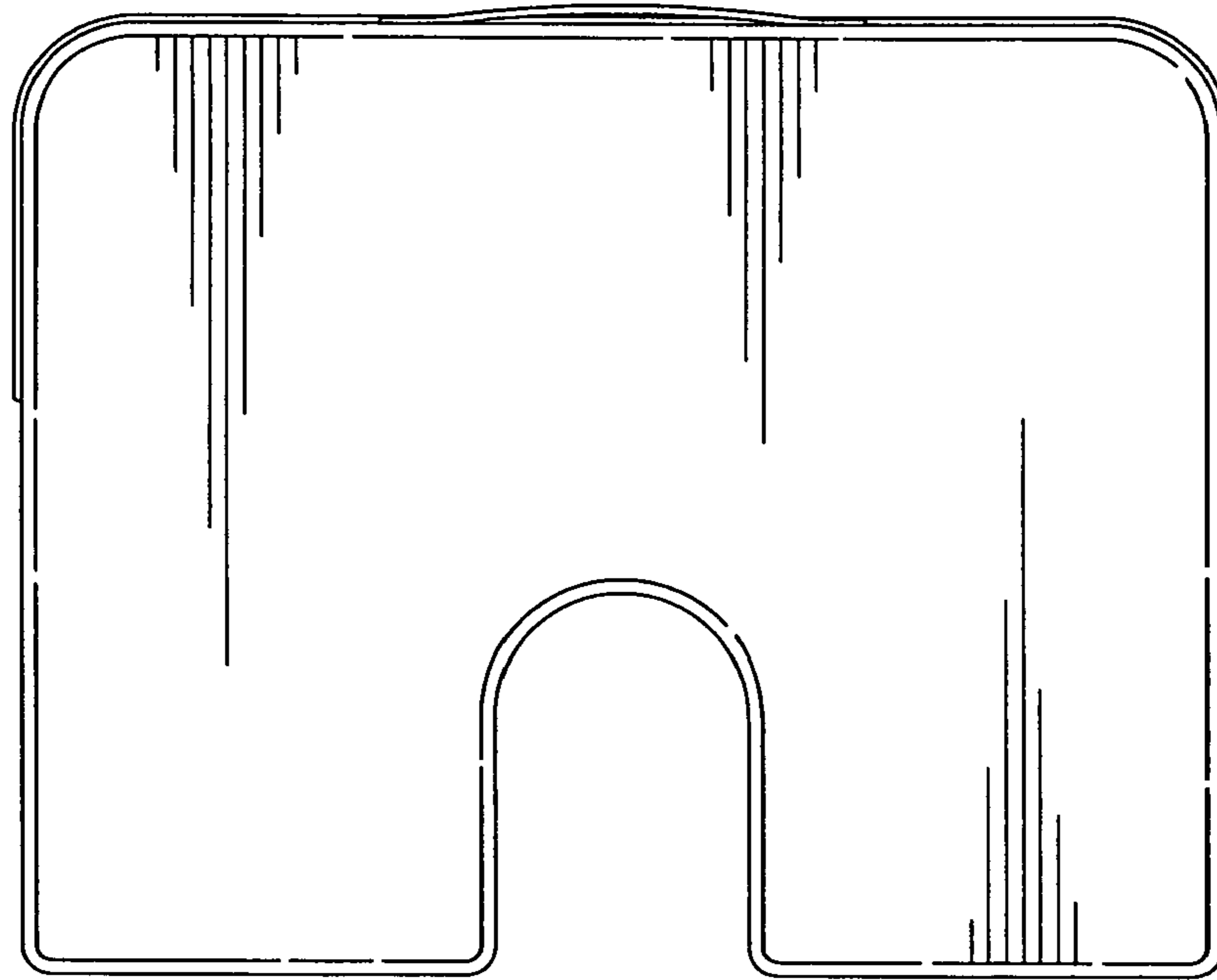


Fig. 3



Fig. 4

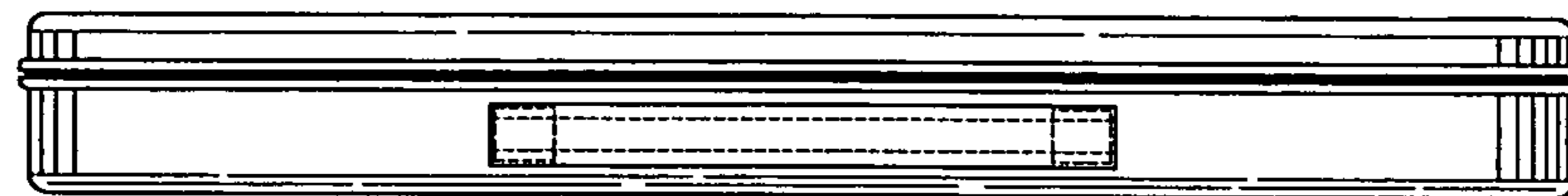


Fig. 5

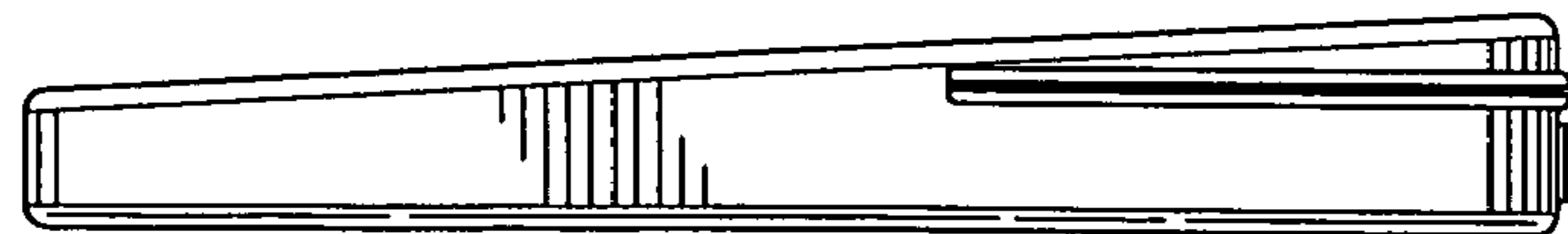


Fig. 6

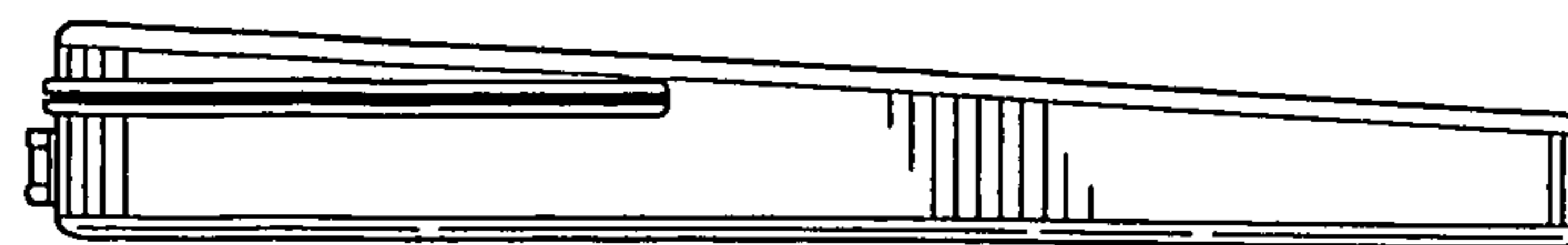


Fig. 7