



US00D599149S

(12) **United States Design Patent**
White

(10) **Patent No.:** **US D599,149 S**

(45) **Date of Patent:** **** Sep. 1, 2009**

(54) **YOGA MAT**

(76) **Inventor:** **Helene Margarita White**, P.O. Box
8306, New York, NY (US) 10150

(**) **Term:** **14 Years**

(21) **Appl. No.:** **29/308,296**

(22) **Filed:** **Jun. 9, 2008**

(51) **LOC (9) Cl.** **06-11**

(52) **U.S. Cl.** **D6/582**

(58) **Field of Classification Search** D6/582-587,
D6/588, 589-594; D12/203; D21/686; 482/23
See application file for complete search history.

(56) **References Cited**

U.S. PATENT DOCUMENTS

D291,586 S *	8/1987	Bourret	D6/582
D355,226 S *	2/1995	Wadley	D21/686
D355,807 S *	2/1995	O'Rourke	D6/582
D378,645 S *	4/1997	Reardon	D6/582
D389,642 S	1/1998	Nadel		
D403,911 S *	1/1999	Wang	D6/582
D403,912 S *	1/1999	Wang	D6/582
D457,373 S *	5/2002	Prinzmetal	D6/582
6,387,013 B1	5/2002	Marquez		
6,491,196 B1	12/2002	Coler		
6,640,359 B1	11/2003	Alane		
6,751,816 B1	6/2004	Wechsler		

7,001,318 B2	2/2006	Su-Tuan		
7,108,635 B2	9/2006	Howlett-Campanella		
D530,512 S	10/2006	Palaszek		
D539,717 S *	4/2007	Hussaini et al.	D6/582
D544,281 S *	6/2007	Appleby	D6/582

* cited by examiner

Primary Examiner—Robert M Spear
Assistant Examiner—Barbara B Lohr

(57) **CLAIM**

The ornamental design for a yoga mat, as shown and described.

DESCRIPTION

FIG. 1 is a top plan view of the yoga mat, showing my new design;

FIG. 2 is a front elevation view thereof;

FIG. 3 is a back elevation view thereof;

FIG. 4 is a left elevation view thereof;

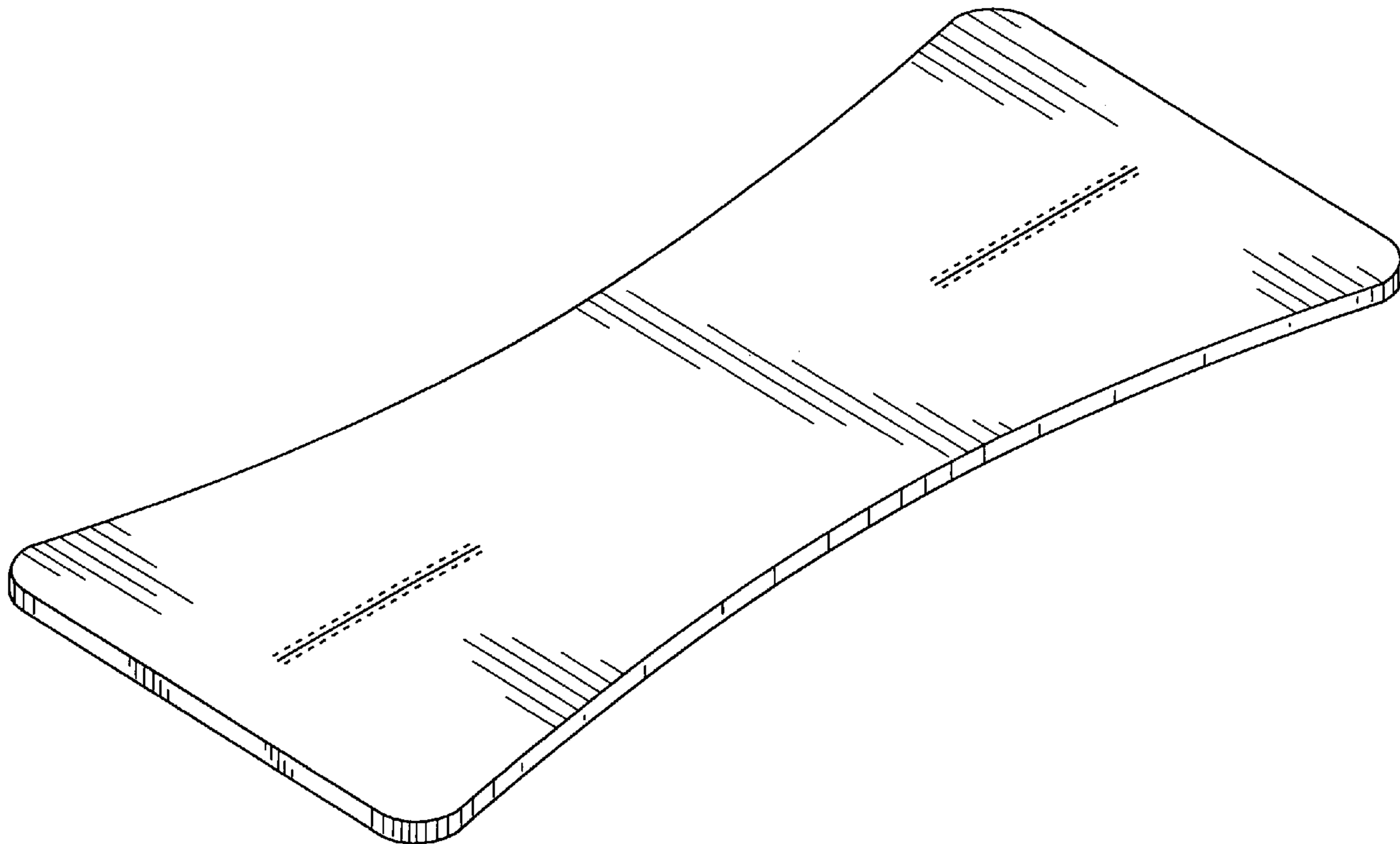
FIG. 5 is a right elevation view thereof;

FIG. 6 is a bottom plan view thereof; and,

FIG. 7 is a top-back perspective view thereof, the bottom-front perspective view being the same.

The broken lines in the drawings represent stitching and form part of the claimed design.

1 Claim, 4 Drawing Sheets



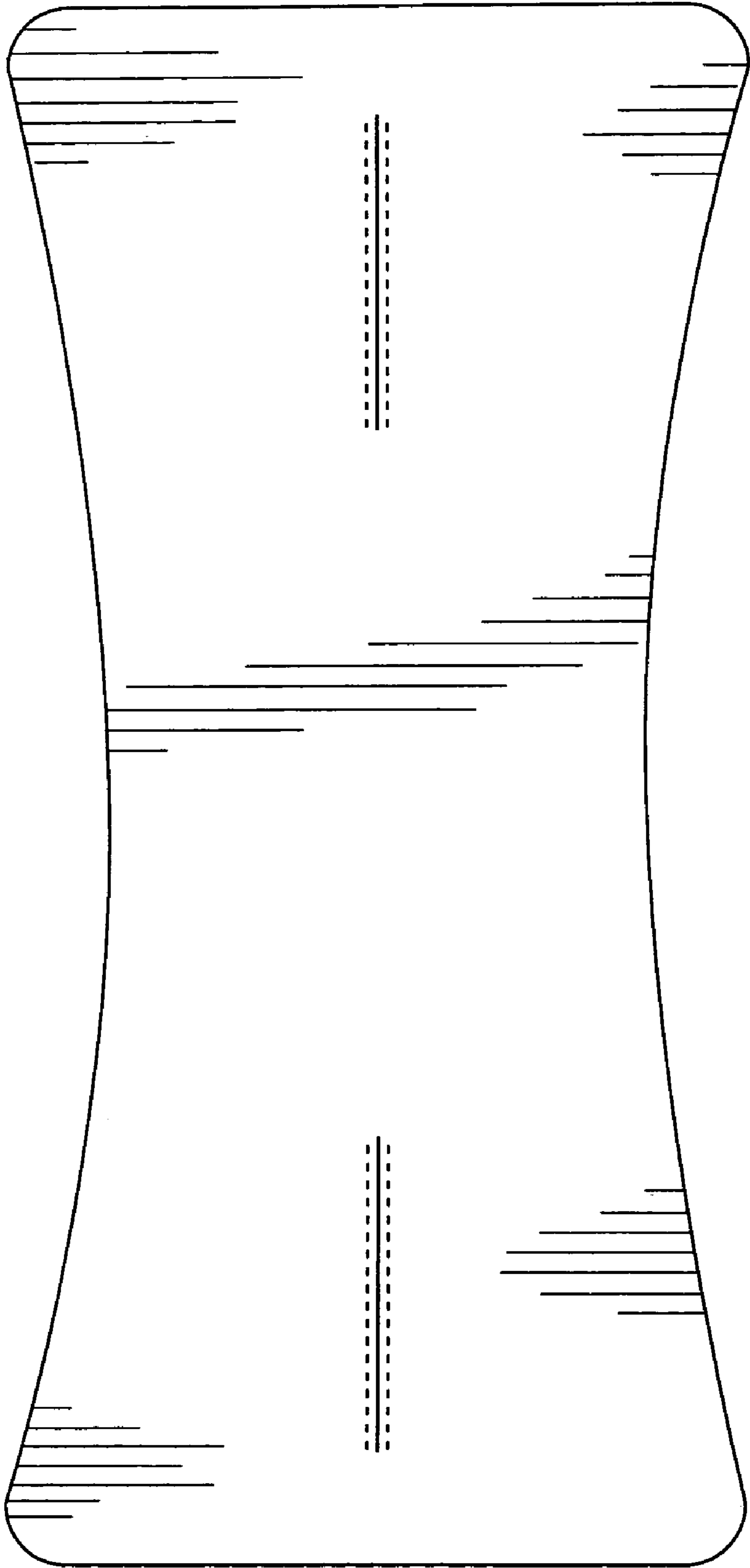


FIG. 1



FIG. 2



FIG. 3



FIG. 4

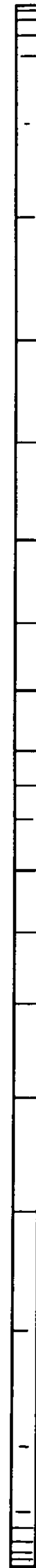


FIG. 5

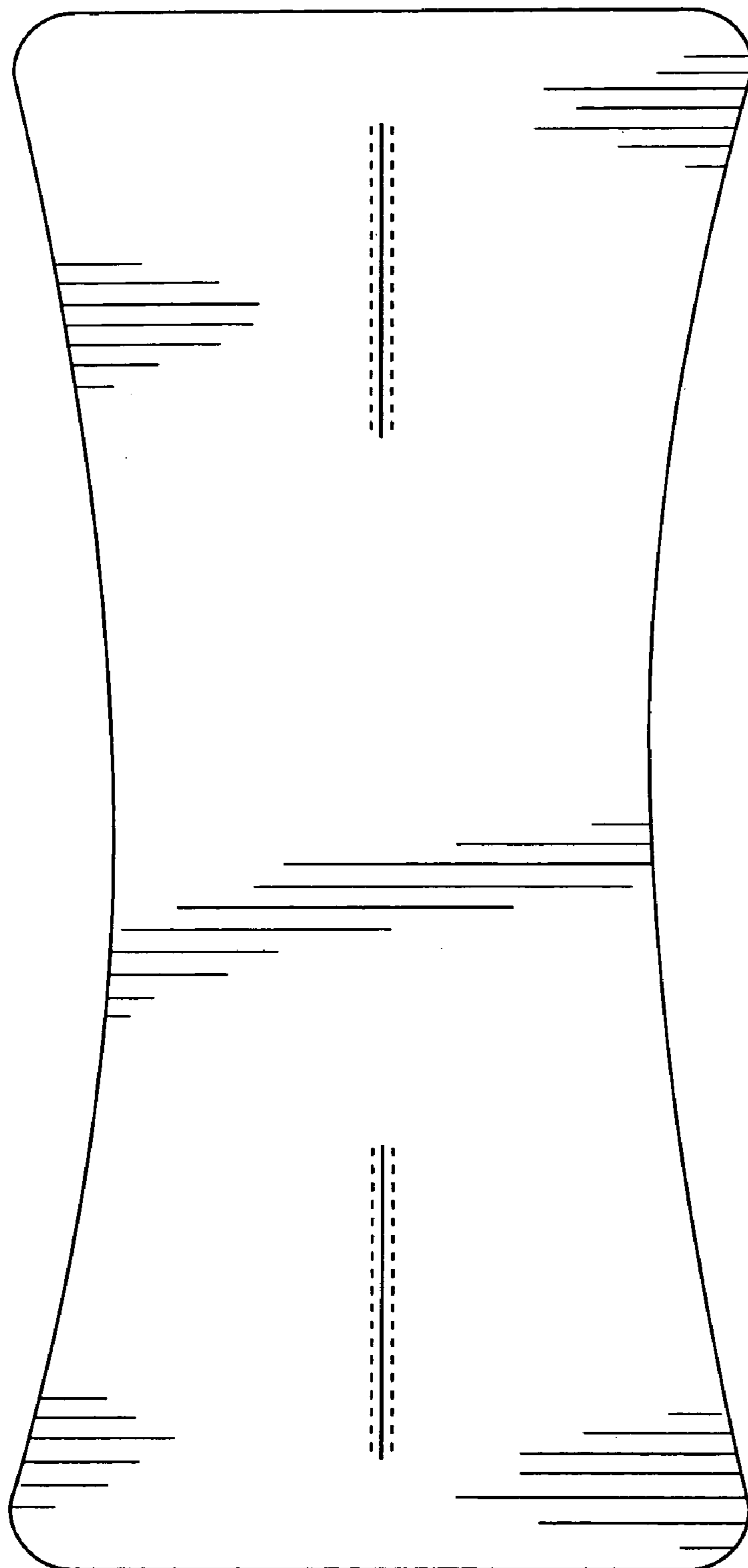


FIG. 6

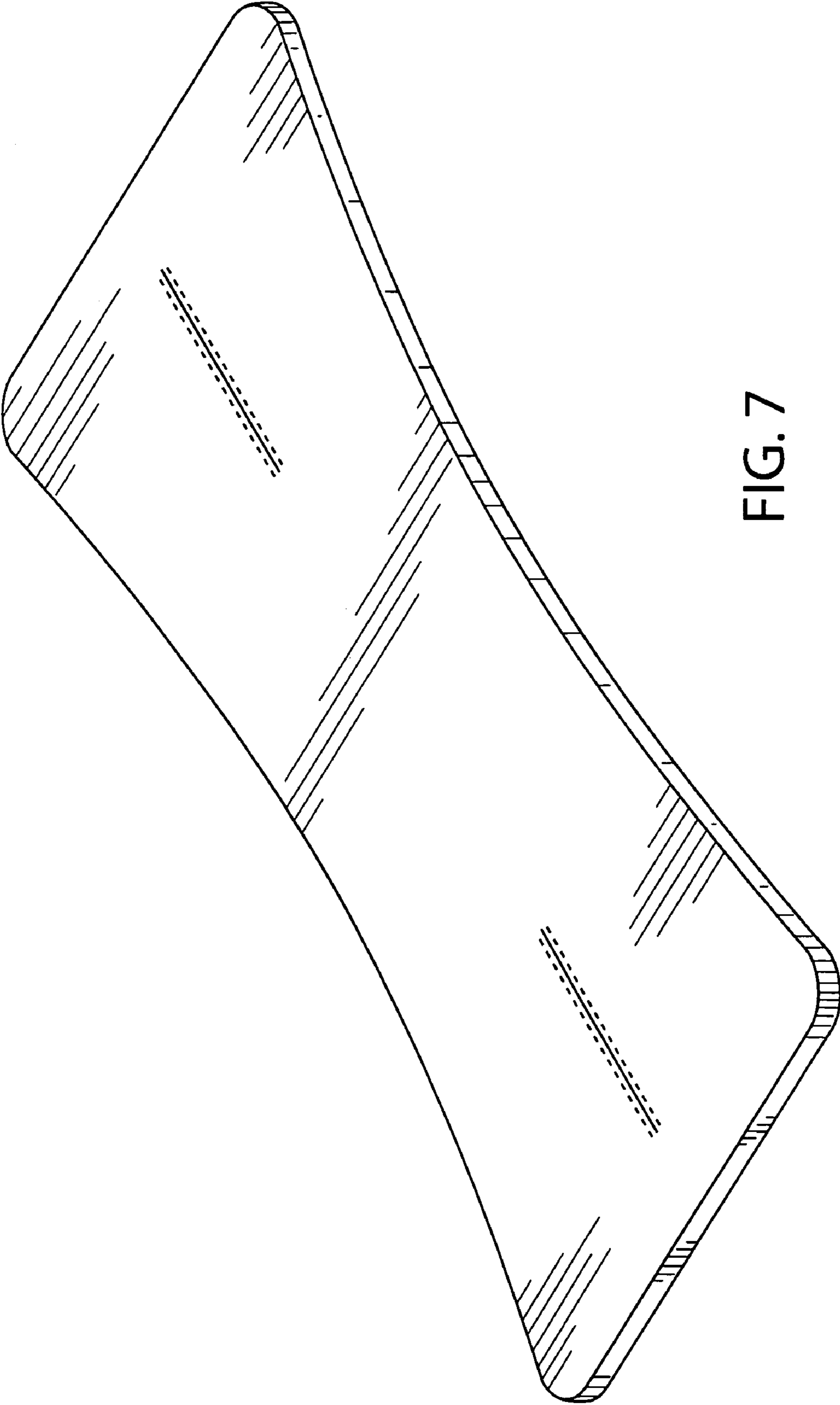


FIG. 7