



US00D599146S

(12) **United States Design Patent**
Chen et al.

(10) **Patent No.:** **US D599,146 S**

(45) **Date of Patent:** **** Sep. 1, 2009**

(54) **OFF SURFACE SHELF**

(75) Inventors: **Peter Chen**, West Windsor, NJ (US);
Jungkun Lee, Edison, NJ (US);
Xiaoquan Luo, Bronx, NY (US)

(73) Assignee: **Officemate International Corp.**,
Edison, NJ (US)

(**) Term: **14 Years**

(21) Appl. No.: **29/314,192**

(22) Filed: **Mar. 12, 2009**

Related U.S. Application Data

(63) Continuation of application No. 29/307,642, filed on
May 2, 2008, and a continuation of application No.
11/152,436, filed on Jun. 14, 2005, now abandoned.

(51) **LOC (9) Cl.** **06-04**

(52) **U.S. Cl.** **D6/511**

(58) **Field of Classification Search** D6/511,
D6/396, 397, 418, 430, 449, 467, 475, 426,
D6/553; 211/183, 88.01, 90.01, 134, 71.01,
211/126.1; 108/159.11, 106, 180, 137, 153.1
See application file for complete search history.

(56) **References Cited**

U.S. PATENT DOCUMENTS

4,155,312 A * 5/1979 Thorkildson 108/137
D355,091 S * 2/1995 Green et al. D6/511
D403,903 S * 1/1999 Calmeise D6/511
D444,656 S * 7/2001 West D6/511
D455,585 S * 4/2002 West D6/511
D489,555 S * 5/2004 Chen D6/511
D546,611 S * 7/2007 Bouroullec et al. D6/574

D557,536 S * 12/2007 O'Hare et al. D6/511
D567,555 S * 4/2008 McConnell D6/511
D572,056 S * 7/2008 McConnell D6/511
D572,513 S * 7/2008 McCammon D6/511

* cited by examiner

Primary Examiner—Joel Sincavage

Assistant Examiner—Abraham Bahta

(74) *Attorney, Agent, or Firm*—Daniel Krishner

(57) **CLAIM**

The ornamental design for an off surface shelf, as shown and
described.

DESCRIPTION

FIG. 1 is a front perspective view of an off surface shelf
showing our new design;

FIG. 2 is a rear perspective view thereof;

FIG. 3 is a top view thereof;

FIG. 4 is a bottom view thereof;

FIG. 5 is a front elevational view thereof;

FIG. 6 is a rear side elevational view thereof;

FIG. 7 is a right side elevational view thereof;

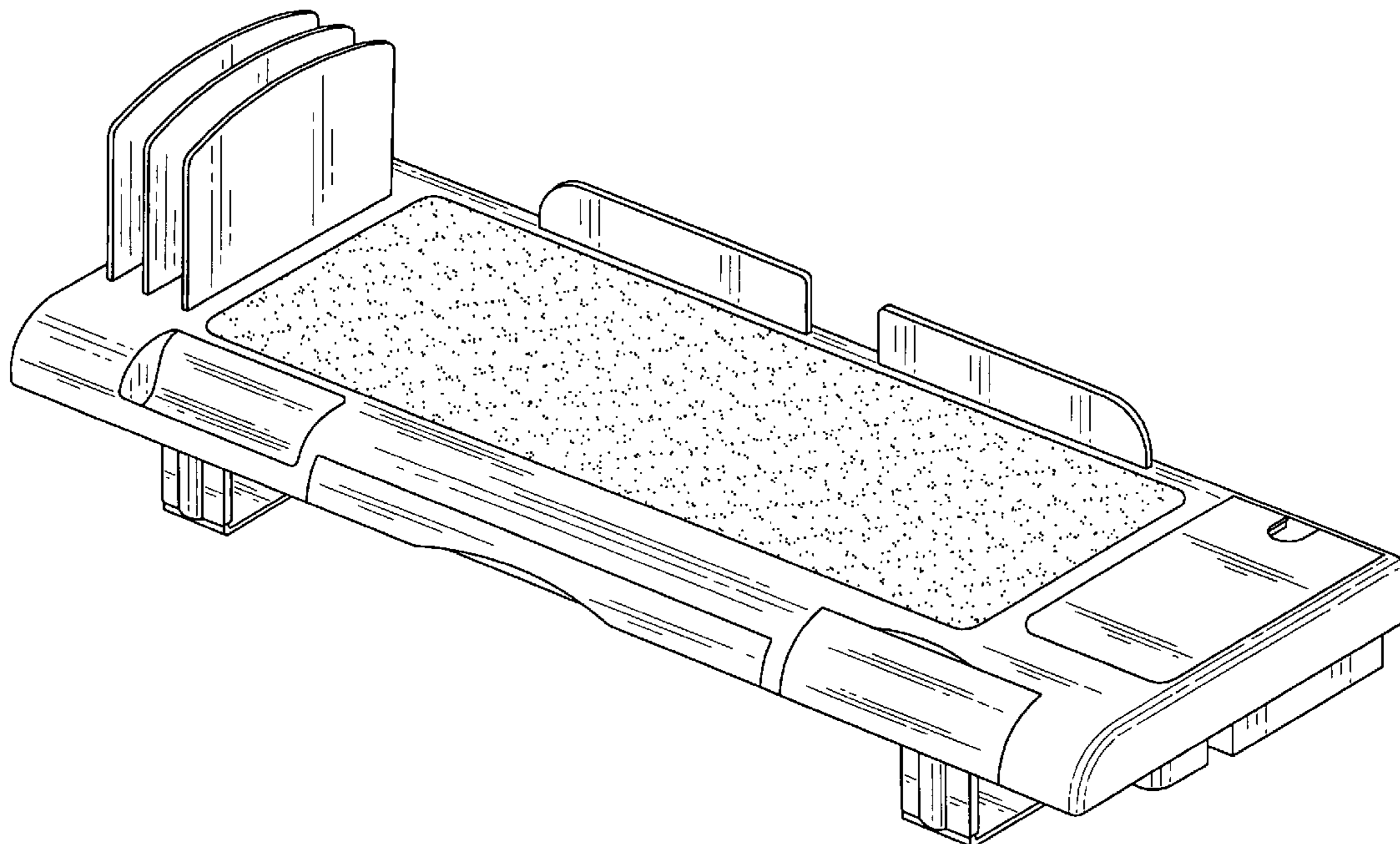
FIG. 8 is a left side elevational view thereof;

FIG. 9 is a front perspective view showing the drawer of the
off surface shelf in an open condition and the compartment
top shown in exploded condition; and,

FIG. 10 is a front perspective view showing the off surface
shelf in an exploded condition.

The broken lines shown in FIG. 4 are for illustrative purposes
only and form no part of the claimed design.

1 Claim, 10 Drawing Sheets



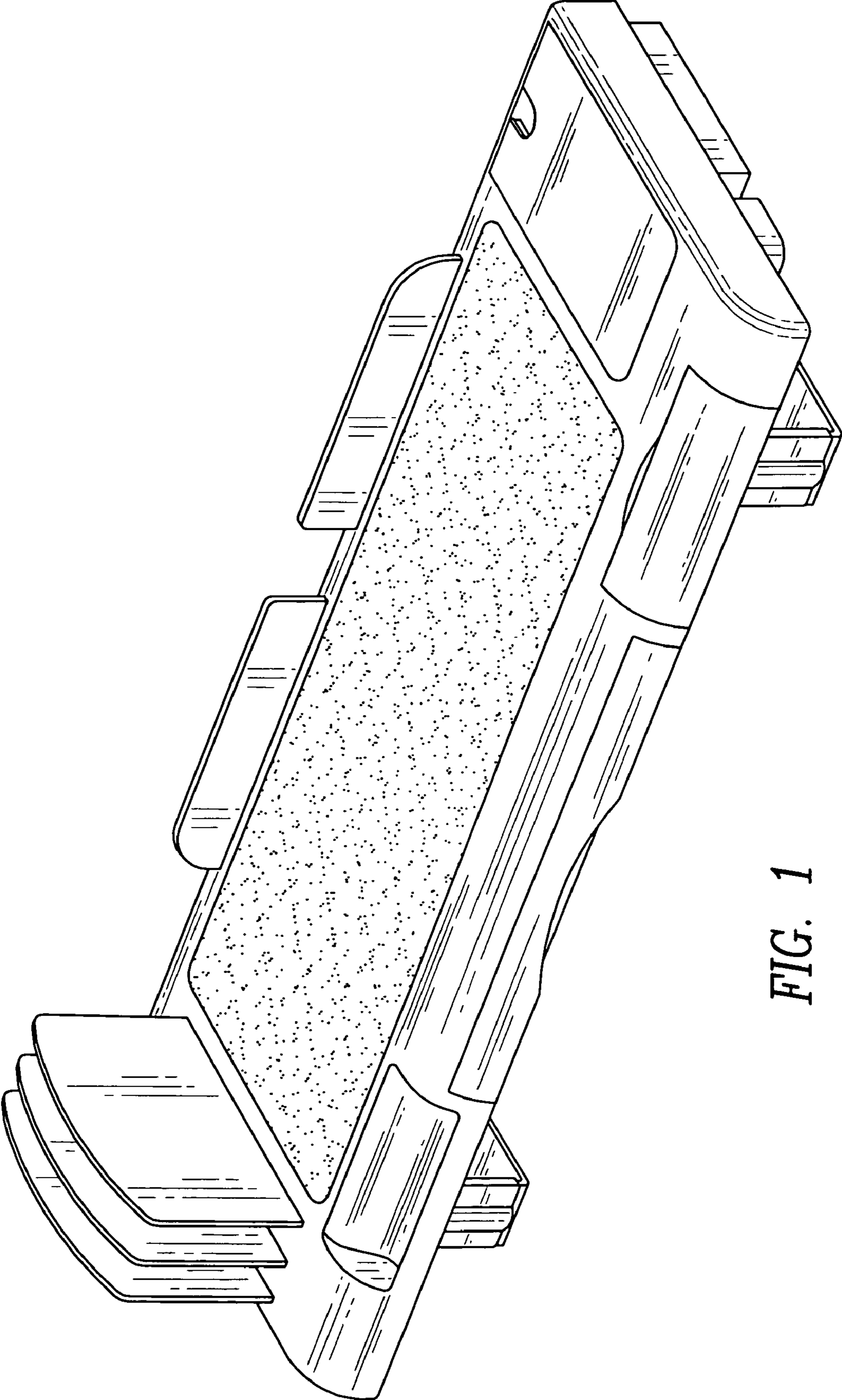


FIG. 1

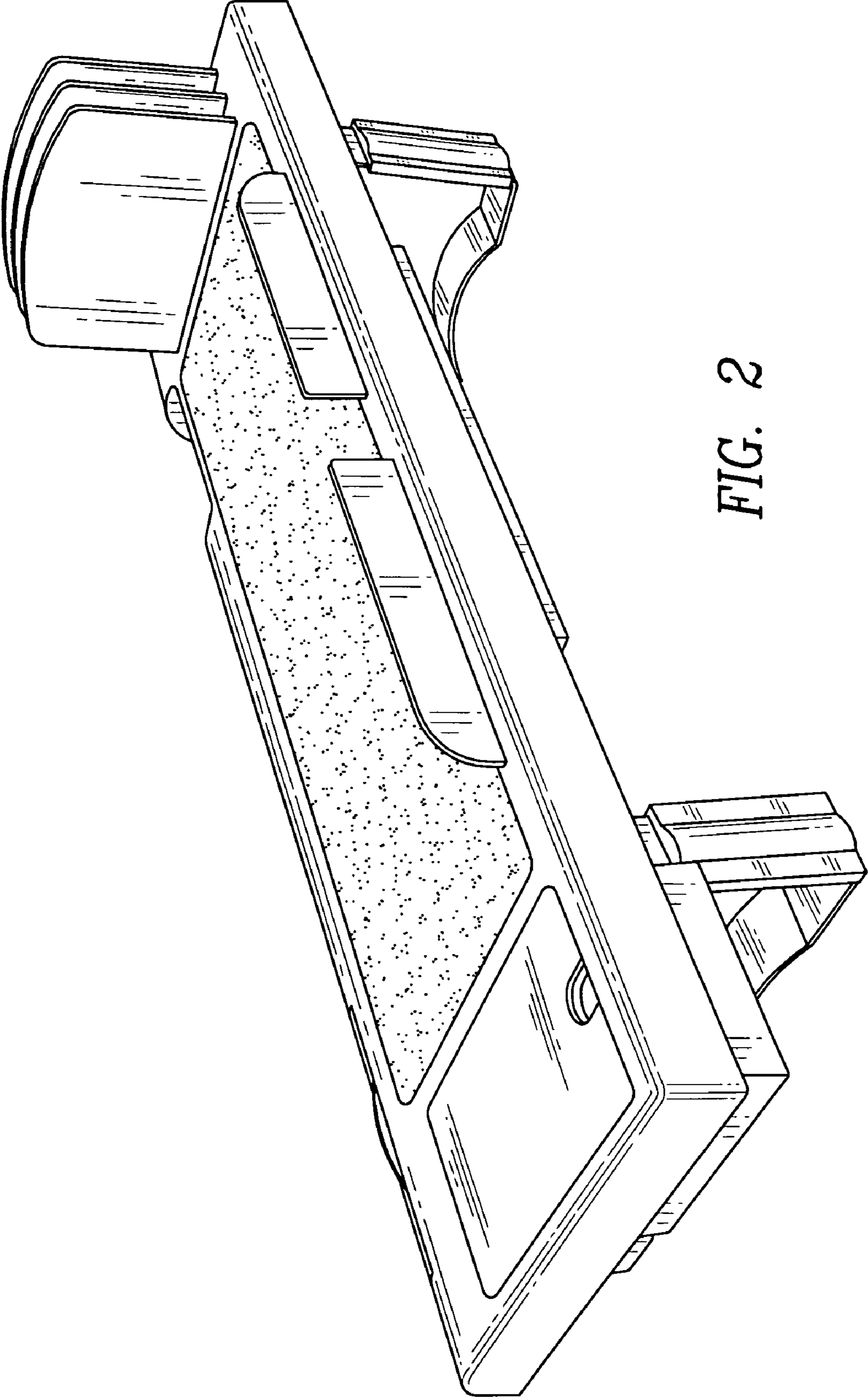


FIG. 2

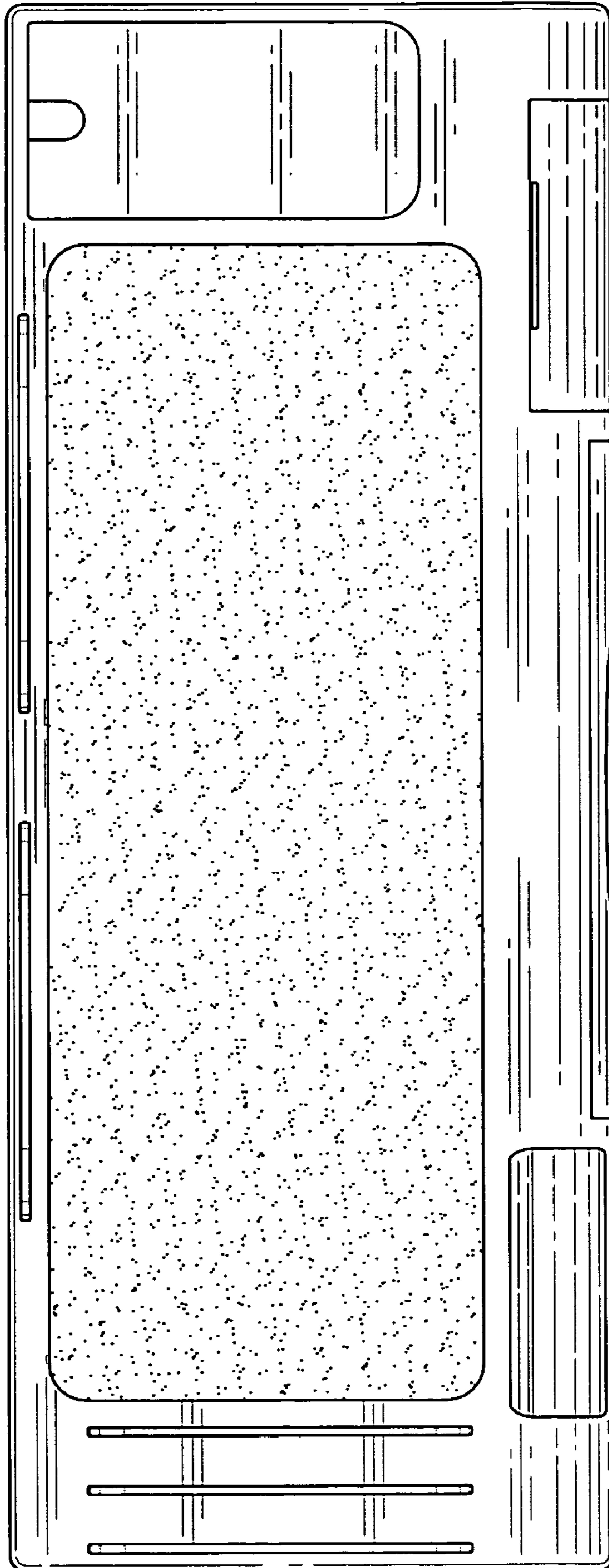


FIG. 3

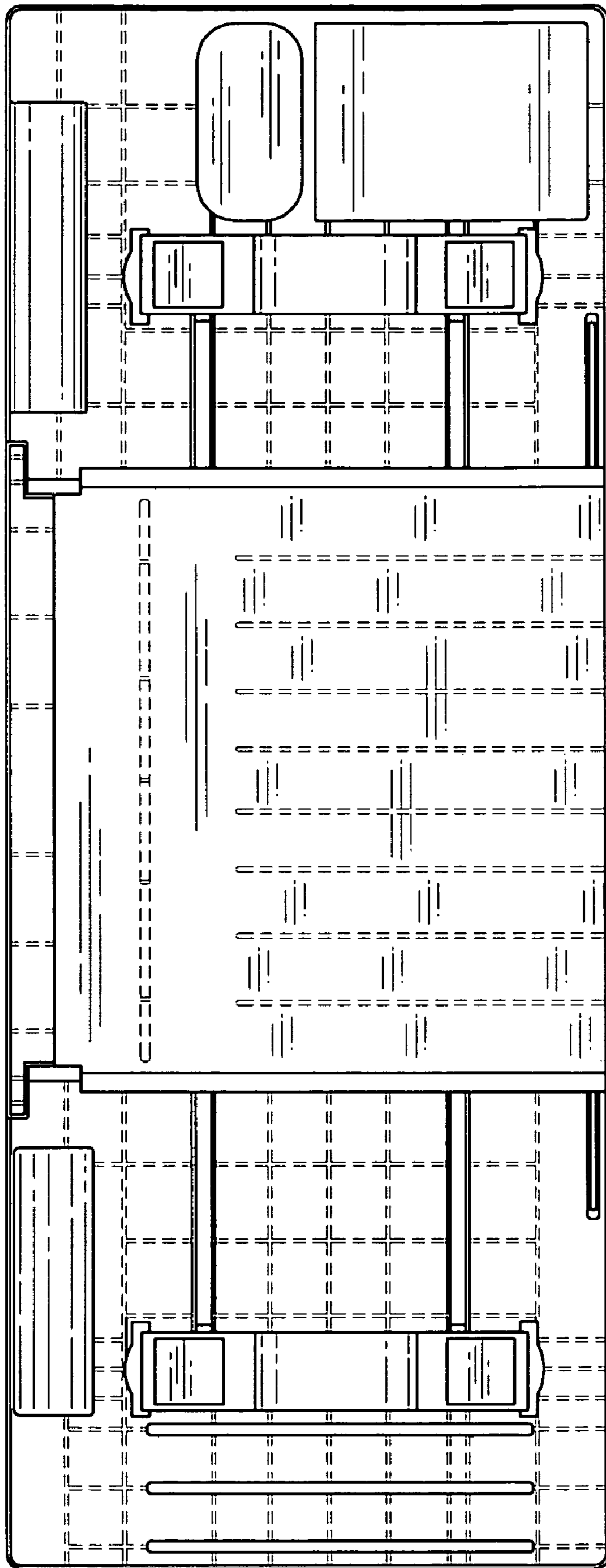


FIG. 4

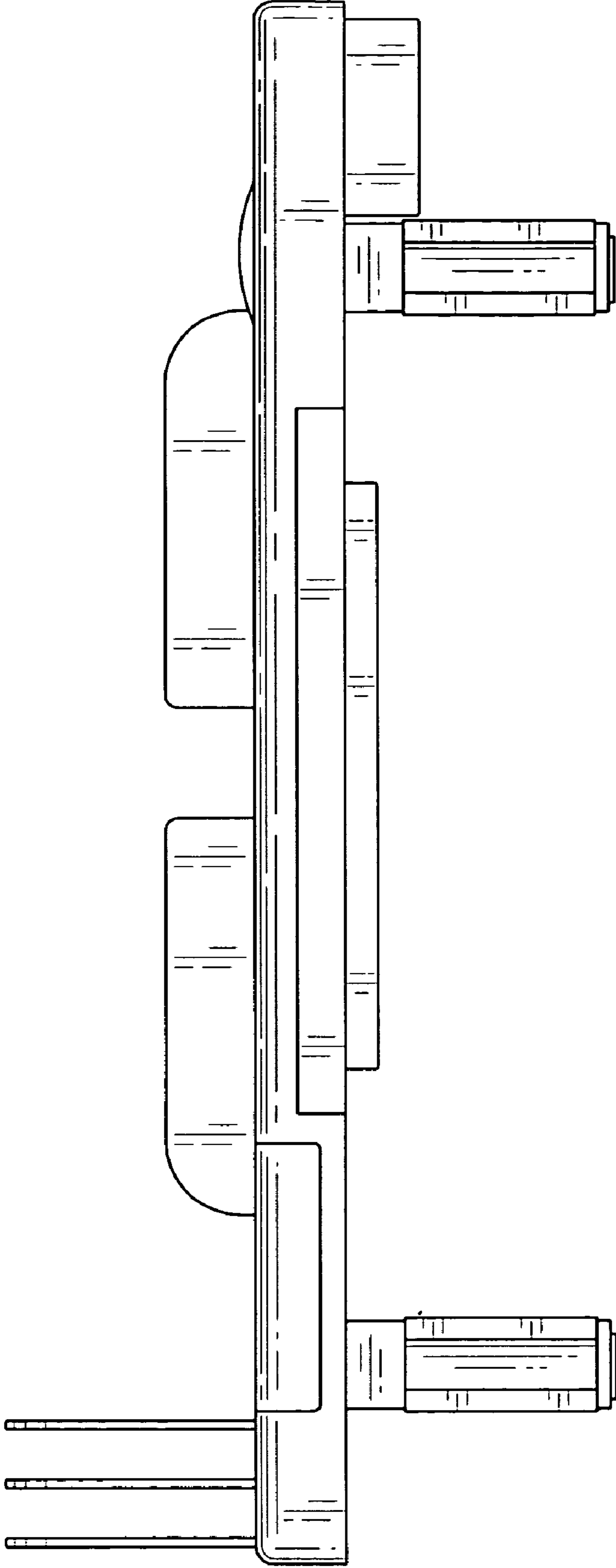


FIG. 5

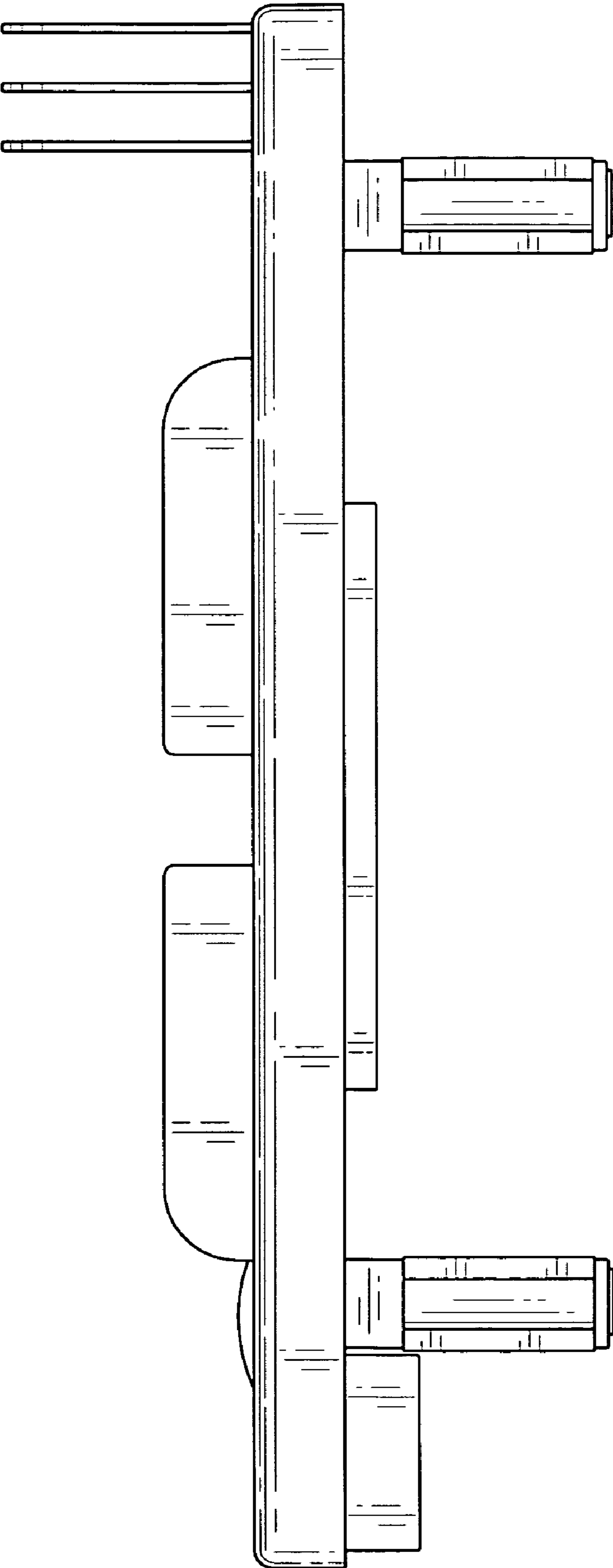


FIG. 6

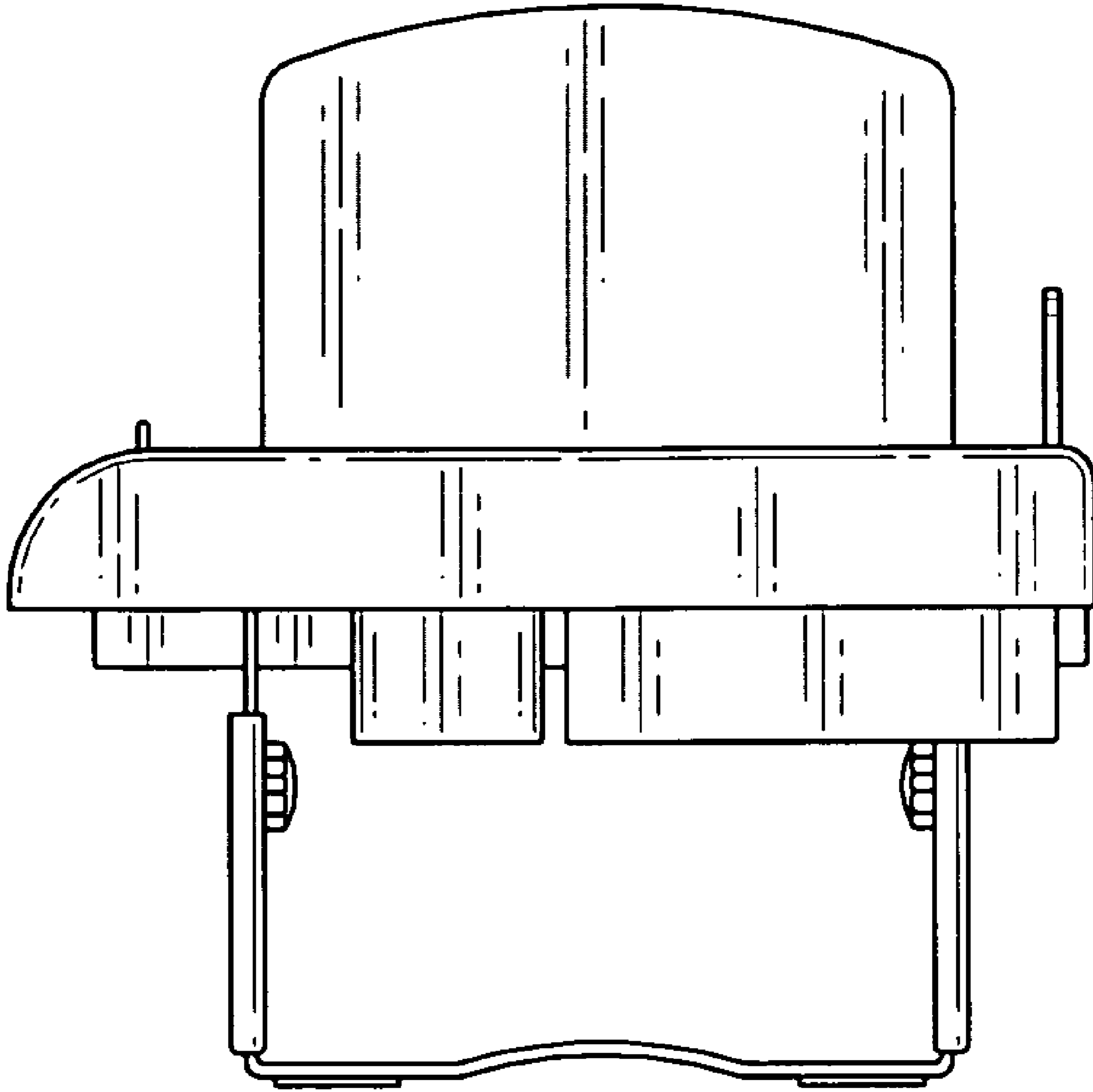


FIG. 7

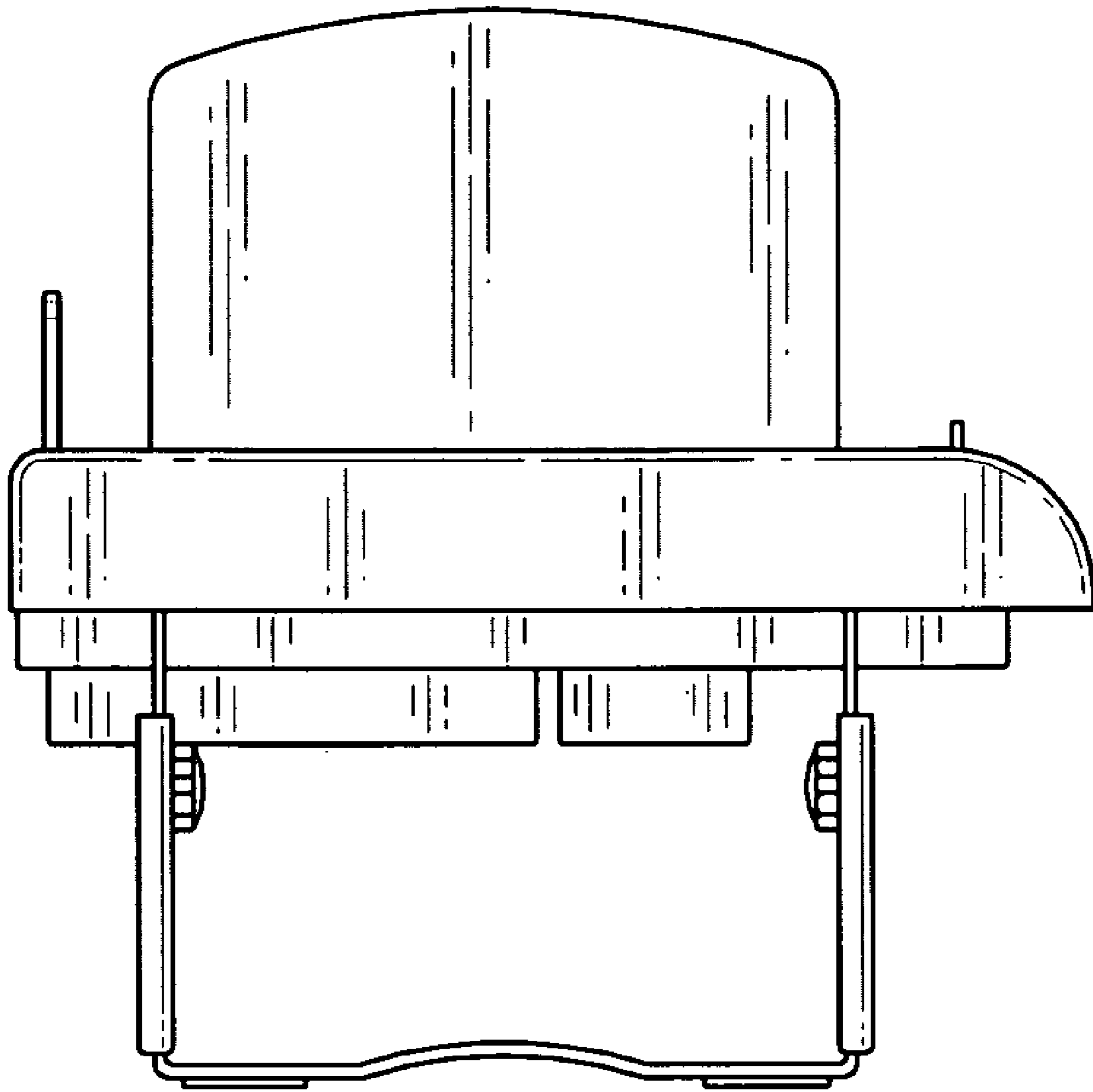


FIG. 8

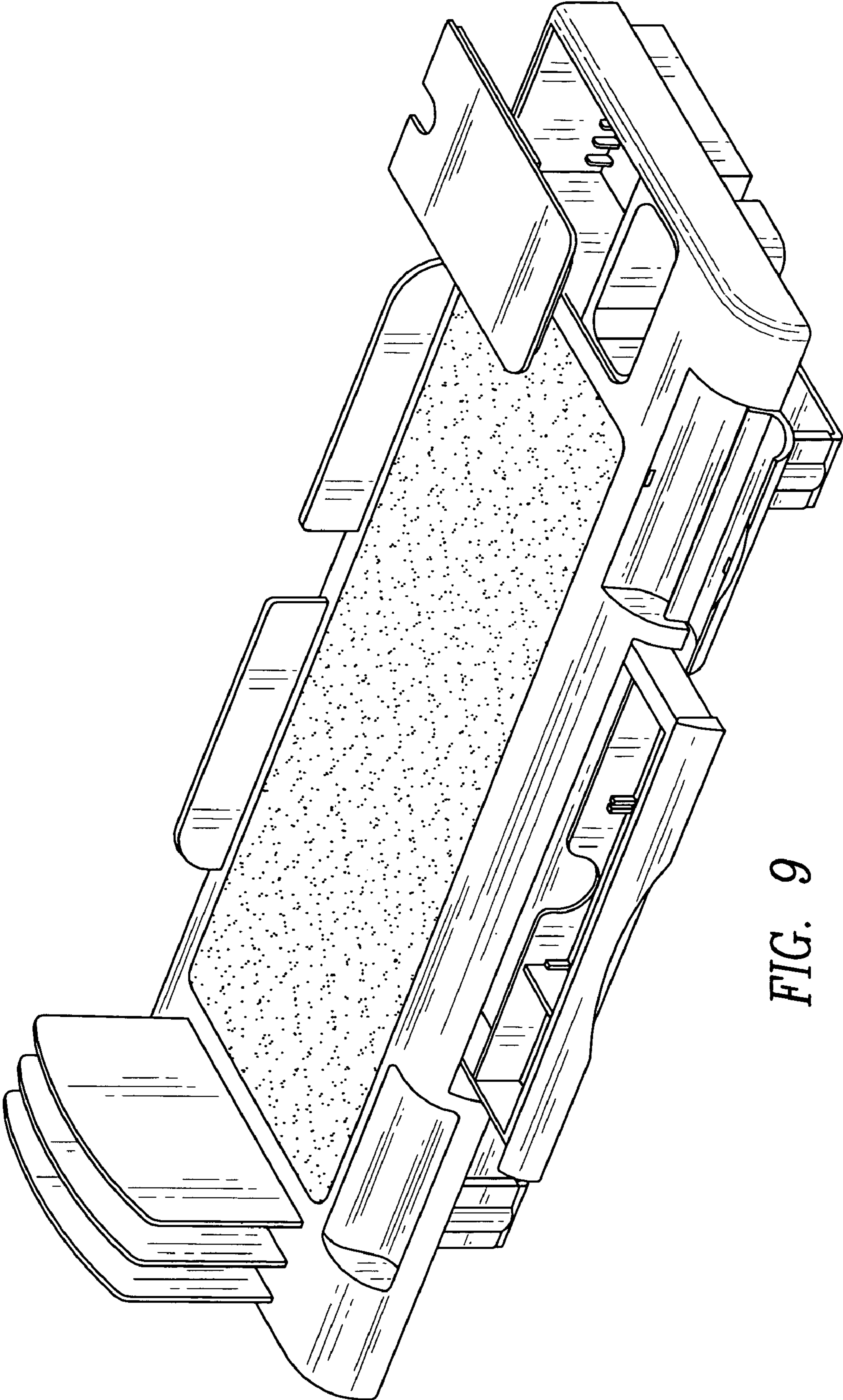


FIG. 9

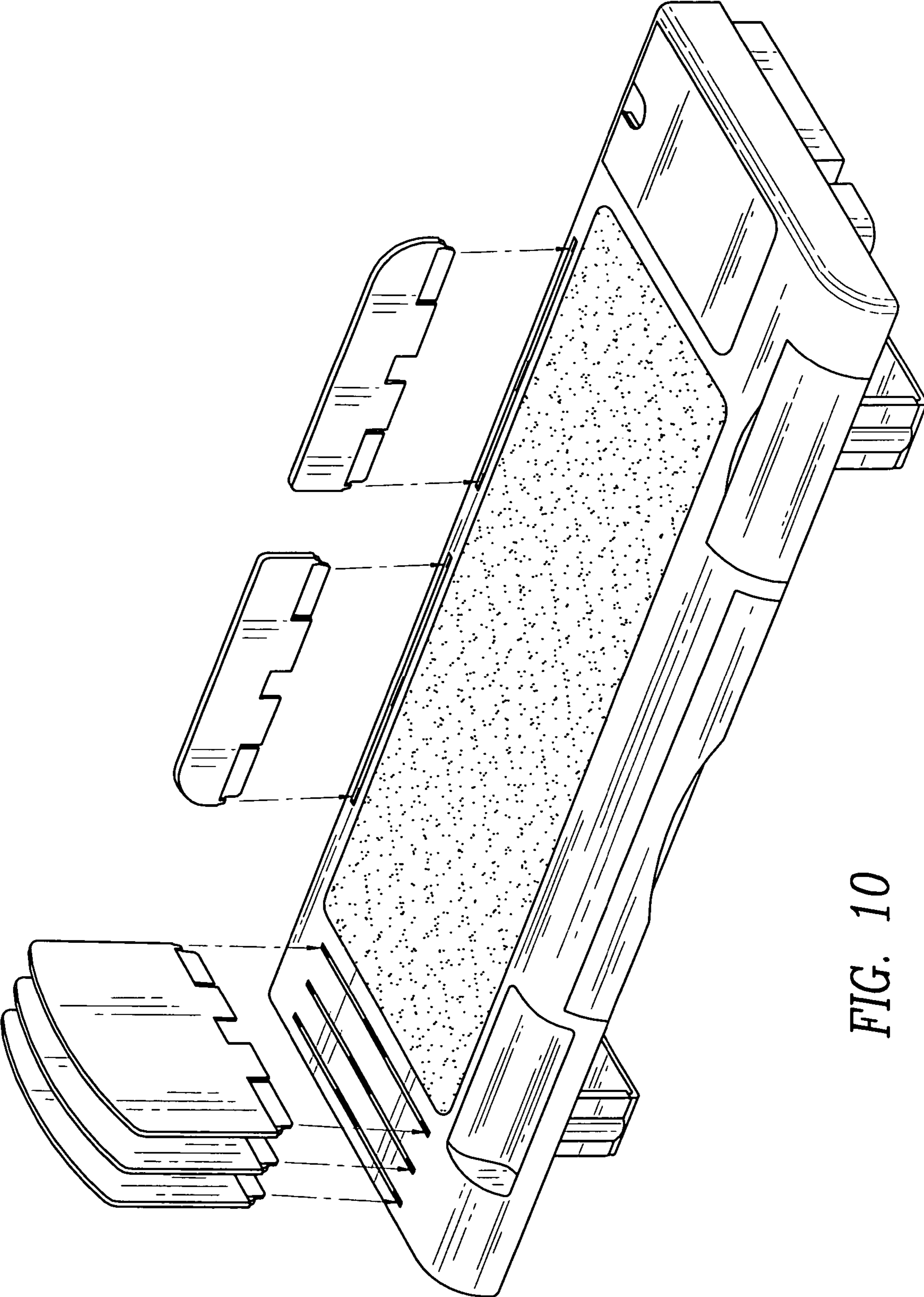


FIG. 10