

US00D599145S

(12) **United States Design Patent**  
**Daino et al.**

(10) **Patent No.:** **US D599,145 S**  
(45) **Date of Patent:** **\*\* Sep. 1, 2009**

(54) **DRAWER**

(75) Inventors: **Franco Fabio Daino**, Muskego, WI (US); **Richard J. Kolaczewski**, Gurnee, IL (US)

(73) Assignee: **Waterloo Industries, Inc.**, Oak Creek, WI (US)

(\*\*) Term: **14 Years**

(21) Appl. No.: **29/295,474**

(22) Filed: **Sep. 28, 2007**

(51) **LOC (9) Cl.** ..... **06-06**

(52) **U.S. Cl.** ..... **D6/510**

(58) **Field of Classification Search** ..... D3/319;  
D6/336, 432, 436, 441, 445-446, 448, 509-511;  
D14/442; D34/27; 312/108, 109, 199, 204,  
312/218, 257.1, 297, 330.1, 348.4  
See application file for complete search history.

(56) **References Cited**

**U.S. PATENT DOCUMENTS**

|             |         |                 |
|-------------|---------|-----------------|
| D205,522 S  | 8/1966  | Doman           |
| D218,080 S  | 7/1970  | Sierzega        |
| 4,120,549 A | 10/1978 | Bureau          |
| D327,967 S  | 7/1992  | Hikawa          |
| D341,253 S  | 11/1993 | Ballman et al.  |
| 5,332,305 A | 7/1994  | Slivon et al.   |
| 5,443,311 A | 8/1995  | Kadlecek et al. |
| D361,910 S  | 9/1995  | Maple et al.    |
| D370,342 S  | 6/1996  | Gwyther         |
| D370,572 S  | 6/1996  | Lin             |
| D372,378 S  | 8/1996  | Kruger          |
| 5,607,214 A | 3/1997  | Pierce et al.   |
| D381,166 S  | 7/1997  | Bonazza         |
| D385,722 S  | 11/1997 | Yemini          |
| D386,626 S  | 11/1997 | Yemini          |
| 5,720,535 A | 2/1998  | Mehman          |
| D393,541 S  | 4/1998  | Calmeise        |
| D394,562 S  | 5/1998  | Di Blasi        |
| 5,857,757 A | 1/1999  | Bieker et al.   |
| D412,626 S  | 8/1999  | Johnson et al.  |

|               |         |                 |       |         |
|---------------|---------|-----------------|-------|---------|
| D423,817 S *  | 5/2000  | Holcomb et al.  | ..... | D6/445  |
| D423,818 S    | 5/2000  | Holcomb et al.  |       |         |
| D427,807 S *  | 7/2000  | Holcomb et al.  | ..... | D6/445  |
| 6,109,709 A * | 8/2000  | Holcomb et al.  | ..... | 312/218 |
| D430,426 S    | 9/2000  | Bieker et al.   |       |         |
| 6,176,559 B1  | 1/2001  | Tiramani et al. |       |         |
| D448,168 S    | 9/2001  | Johnston        |       |         |
| D449,181 S    | 10/2001 | Story et al.    |       |         |
| D453,074 S    | 1/2002  | Johnston        |       |         |
| 6,347,847 B1  | 2/2002  | Tiramani et al. |       |         |
| D455,902 S    | 4/2002  | Wolf            |       |         |
| D457,704 S    | 5/2002  | Fiscus et al.   |       |         |
| D470,687 S    | 2/2003  | Binse et al.    |       |         |
| D505,237 S    | 5/2005  | Schmidt et al.  |       |         |
| D506,090 S    | 6/2005  | Ben-Or          |       |         |

(Continued)

*Primary Examiner*—Joel Sincavage  
*Assistant Examiner*—Ricky Pham  
(74) *Attorney, Agent, or Firm*—Calfee, Halter & Griswold LLP

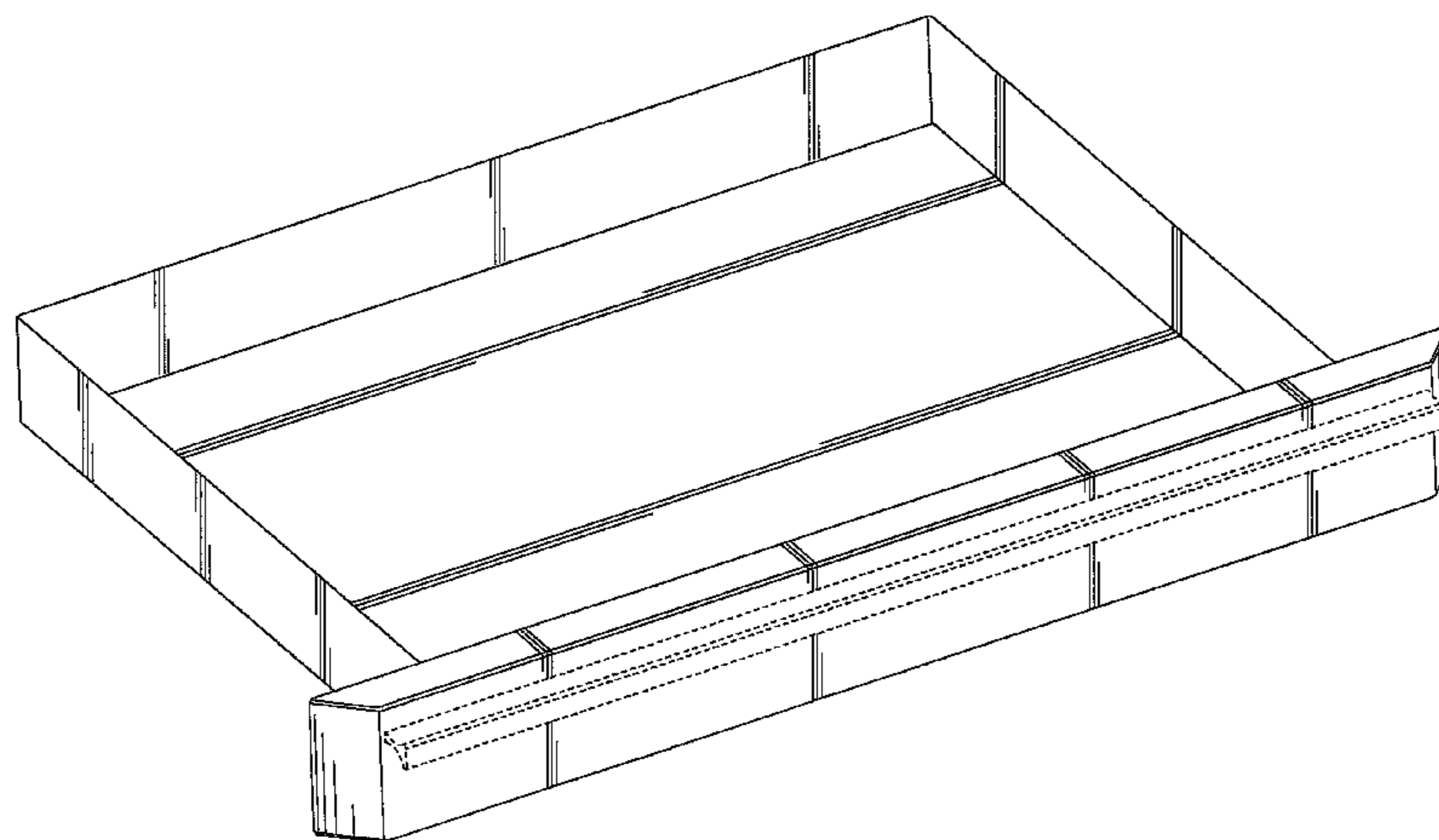
(57) **CLAIM**

We claim the ornamental design for a drawer, as shown and described.

**DESCRIPTION**

FIG. 1 is a perspective view of a drawer according to our new design;  
FIG. 2 is a front elevation view of the drawer of FIG. 1;  
FIG. 3 is a rear view of the drawer of FIG. 1;  
FIG. 4 is a right side view of the drawer of FIG. 1;  
FIG. 5 is a left side view of the drawer of FIG. 1;  
FIG. 6 is a top view of the drawer of FIG. 1; and,  
FIG. 7 is a bottom view of the drawer of FIG. 1.  
The portions of the Figures shown in broken lines are not part of the claimed design and are for illustration only.

**1 Claim, 5 Drawing Sheets**



# US D599,145 S

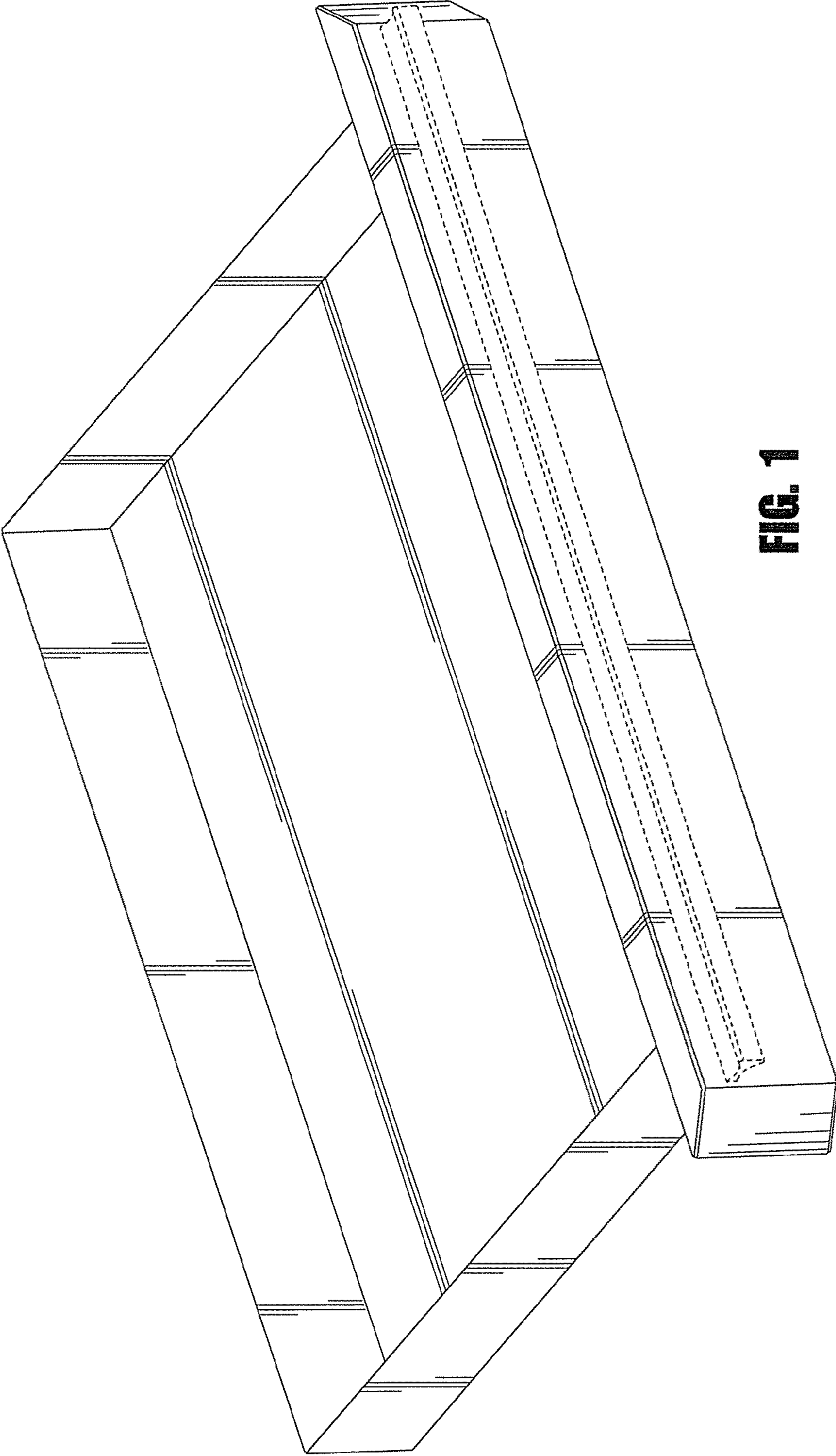
Page 2

---

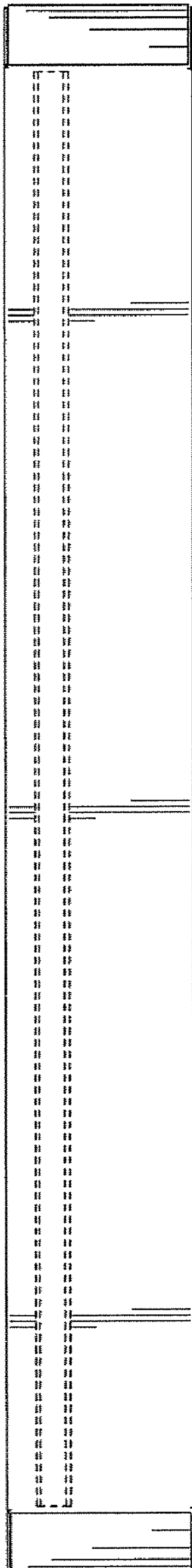
## U.S. PATENT DOCUMENTS

|              |         |                |         |                 |         |                  |        |
|--------------|---------|----------------|---------|-----------------|---------|------------------|--------|
| D514,854 S   | 2/2006  | Schmidt et al. |         | D554,864 S      | 11/2007 | Hand             |        |
| D517,805 S   | 3/2006  | Hosking        |         | D560,079 S *    | 1/2008  | Mehmen .....     | D6/441 |
| D520,264 S   | 5/2006  | Mehmen et al.  |         | D563,103 S      | 3/2008  | Hand             |        |
| D520,784 S   | 5/2006  | Schmidt et al. |         | D565,874 S *    | 4/2008  | Oura et al. .... | D6/510 |
| D524,819 S * | 7/2006  | Chen .....     | D14/442 | D574,629 S *    | 8/2008  | Kalkwarf .....   | D6/445 |
| D526,782 S   | 8/2006  | Hosking        |         | 2002/0030425 A1 | 3/2002  | Tiramani et al.  |        |
| D547,160 S   | 7/2007  | Hand           |         | 2002/0074905 A1 | 6/2002  | Tiramani et al.  |        |
| D554,370 S   | 11/2007 | Hand           |         |                 |         |                  |        |

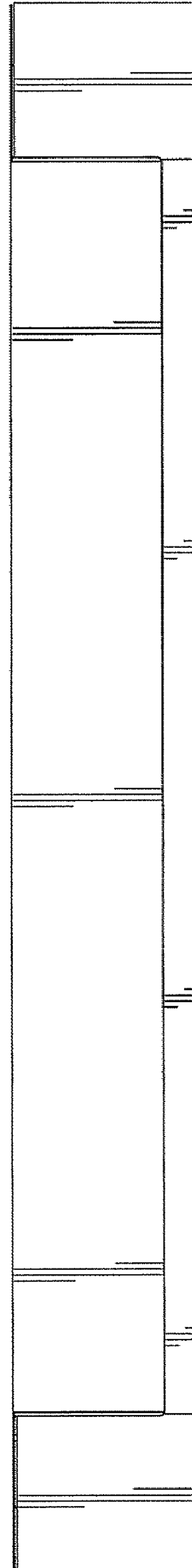
\* cited by examiner



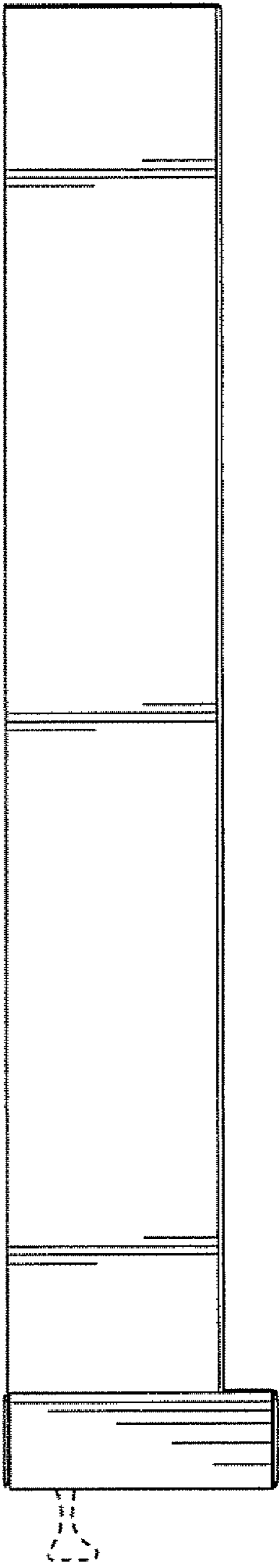
**FIG. 1**



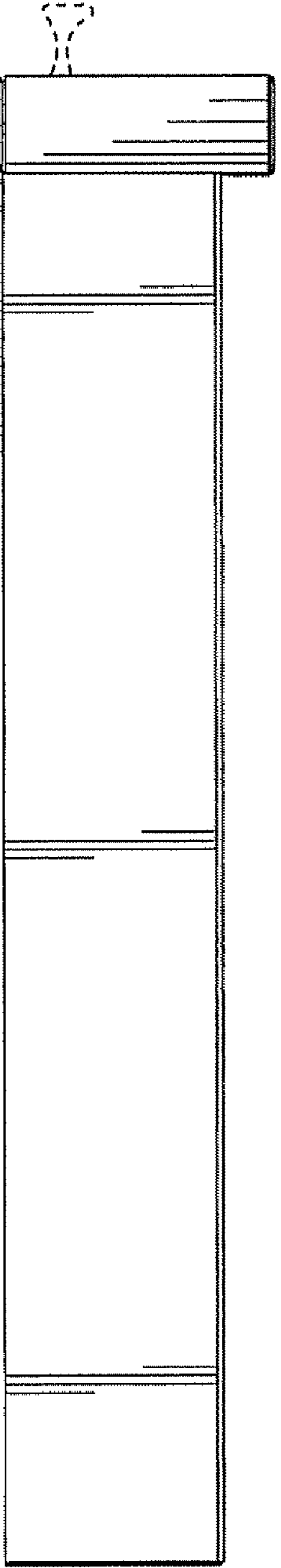
**FIG. 2**



**FIG. 3**



**FIG. 4**



**FIG. 5**



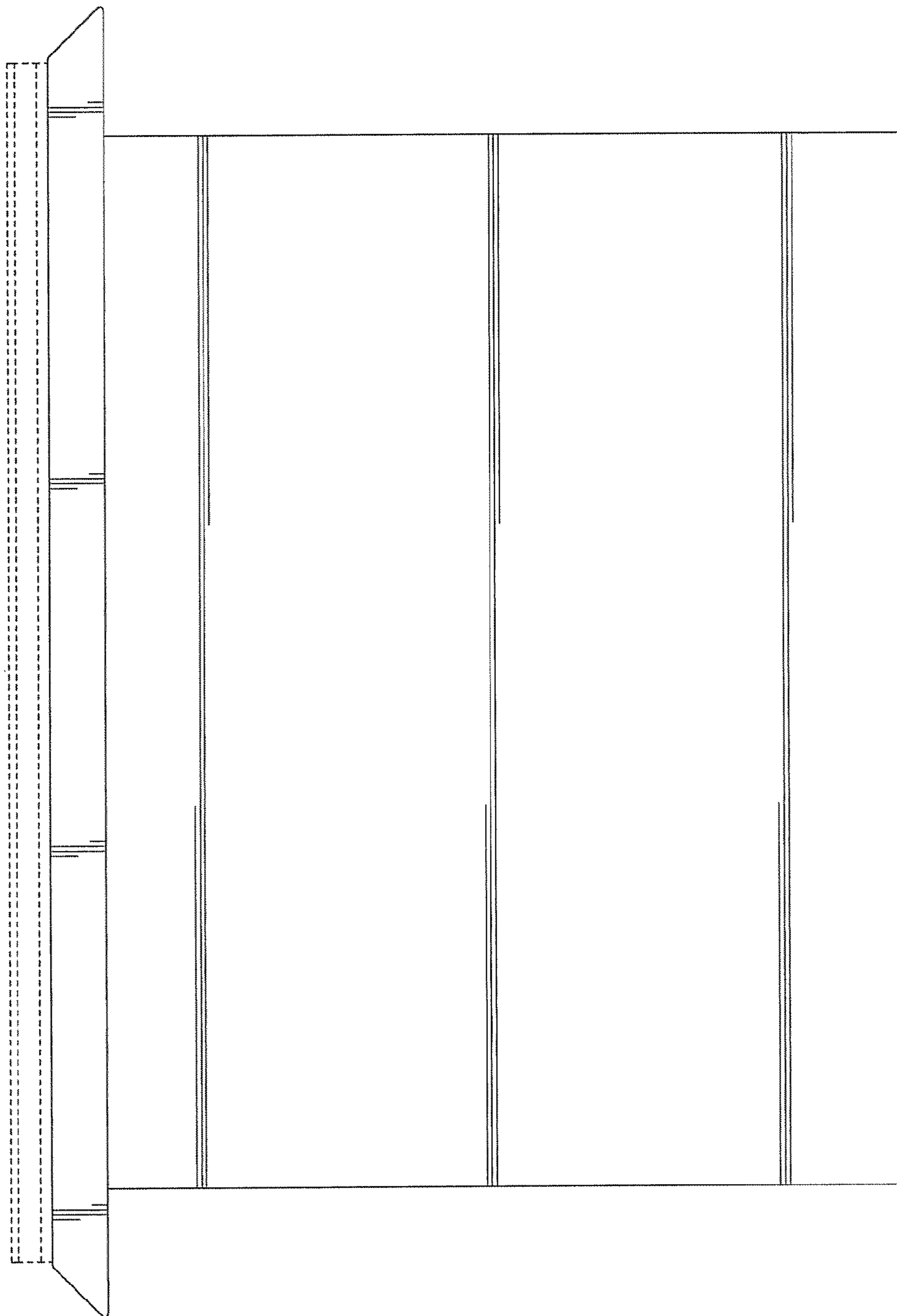
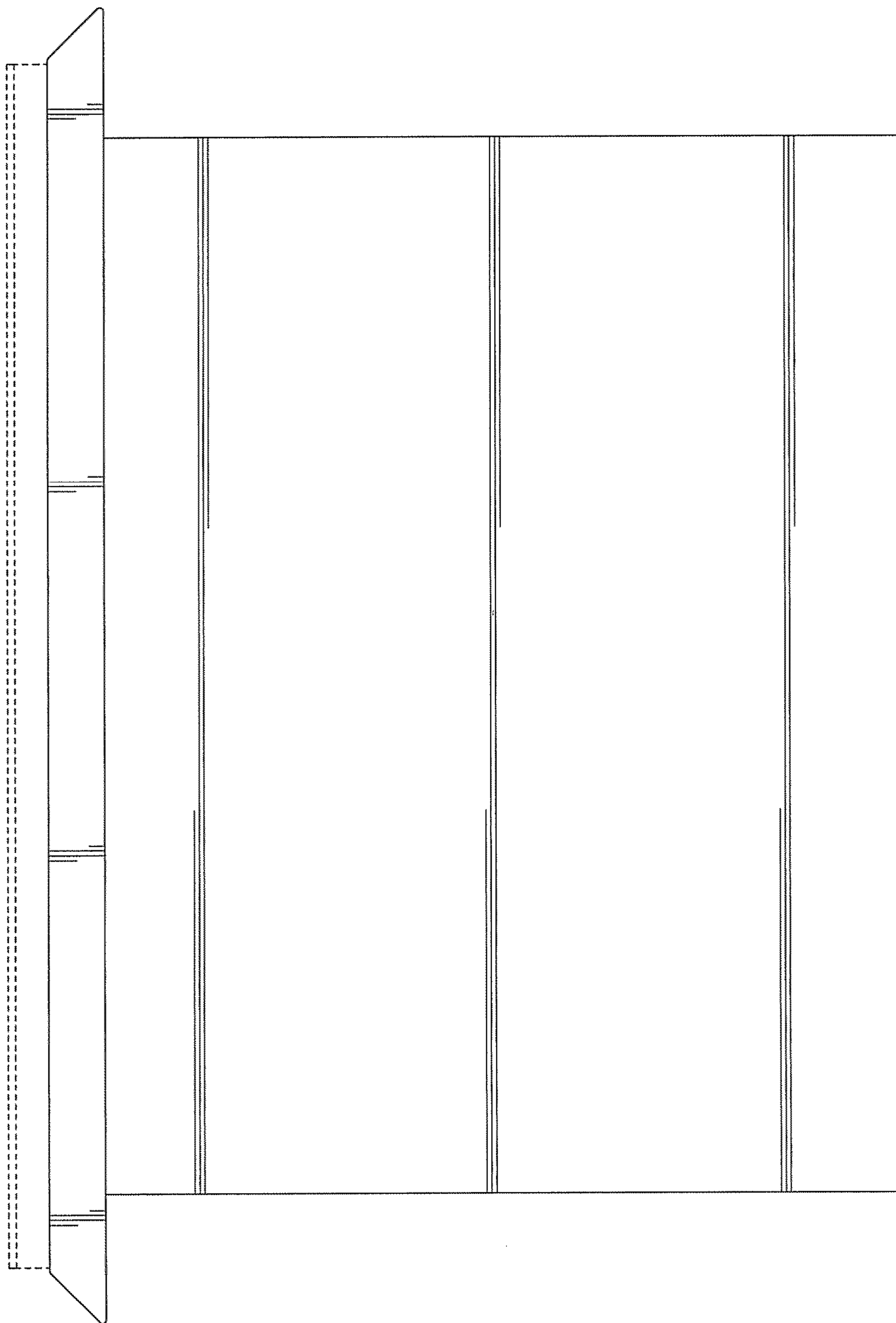


FIG. 6



**FIG. 7**