



US00D599144S

(12) **United States Design Patent**
Zerhusen

(10) **Patent No.:** **US D599,144 S**

(45) **Date of Patent:** **** Sep. 1, 2009**

(54) **HEADBOARD/FOOTBOARD FOR AN ADJUSTABLE BED**

Primary Examiner—Janice E Seeger

(74) *Attorney, Agent, or Firm*—Barnes & Thornburg LLP

(75) Inventor: **Robert Mark Zerhusen**, Cincinnati, OH (US)

(57) **CLAIM**

The ornamental design for a headboard/footboard for an adjustable bed, as shown and described.

(73) Assignee: **Hill-Rom Services, Inc.**, Wilmington, DE (US)

(**) Term: **14 Years**

DESCRIPTION

(21) Appl. No.: **29/284,531**

FIG. 1 is a front perspective view of a headboard/footboard for an adjustable bed, showing my new design;

(22) Filed: **Sep. 10, 2007**

FIG. 2 is a front view of the footboard and rear of the headboard;

(51) **LOC (9) Cl.** **06-06**

(52) **U.S. Cl.** **D6/505**

(58) **Field of Classification Search** D6/382–384, D6/388, 392–395, 505–508; 5/53.1, 907, 5/279.1, 280, 281, 2.1, 617, 618

FIG. 3 is a front view of the headboard and rear of the footboard;

FIG. 4 is a top plan view thereof;

FIG. 5 is a side elevation view thereof;

FIG. 6 is a side opposite that shown in FIG. 5;

FIG. 7 is a bottom plan view thereof;

See application file for complete search history.

FIG. 8 is a rear perspective view of the headboard/footboard for an adjustable bed;

(56) **References Cited**

U.S. PATENT DOCUMENTS

- 1,700,338 A * 1/1929 Scoggins 5/288
- D158,433 S * 5/1950 Bevelacqua D6/393
- D301,411 S * 6/1989 Schlapp D6/393

FIG. 9 is a rear elevation view thereof;

FIG. 10 is a front elevational view thereof;

FIG. 11 is a front perspective view showing the design in an alternative environment;

OTHER PUBLICATIONS

No. 21-75 Grouping/Early American finished in No. 28 Maple, Hill-Rom, 1962, 1 page.

No. 16-75 Grouping/Italian Provincial finished in No. 69 Cathedral Oak, Hill-Rom, 1962, 1 page.

No. 2101-1 Grouping/Early American finished in No. 28 Maple, Hill-Rom, 1962, 1 page.

FIG. 12 is a rear perspective view showing the design in an alternate environment;

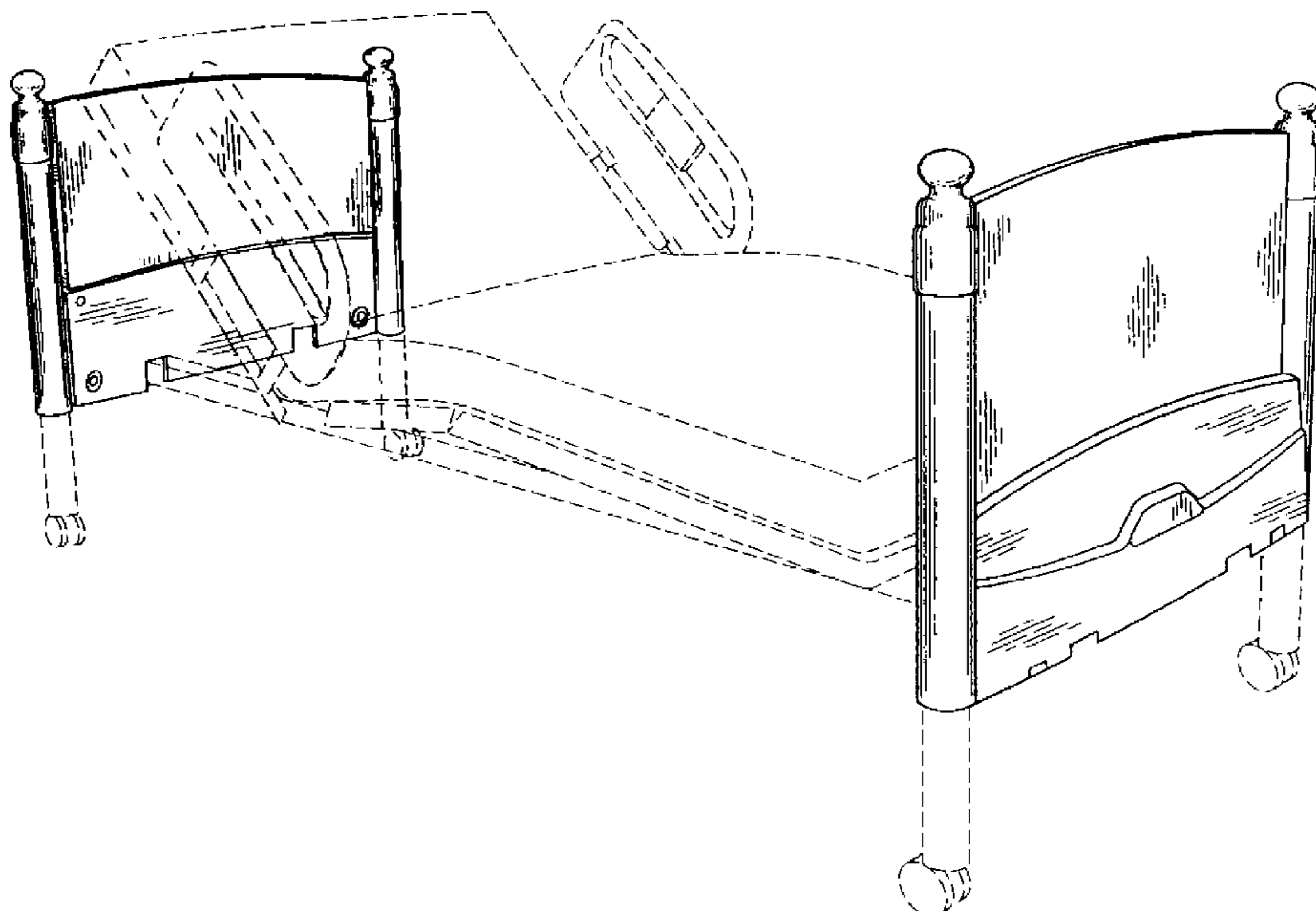
FIG. 13 is a rear elevational view thereof; and,

FIG. 14 is a front elevational view thereof.

FIGS. 2–7 show the headboard/footboard separately for convenience of illustration.

* cited by examiner

1 Claim, 10 Drawing Sheets



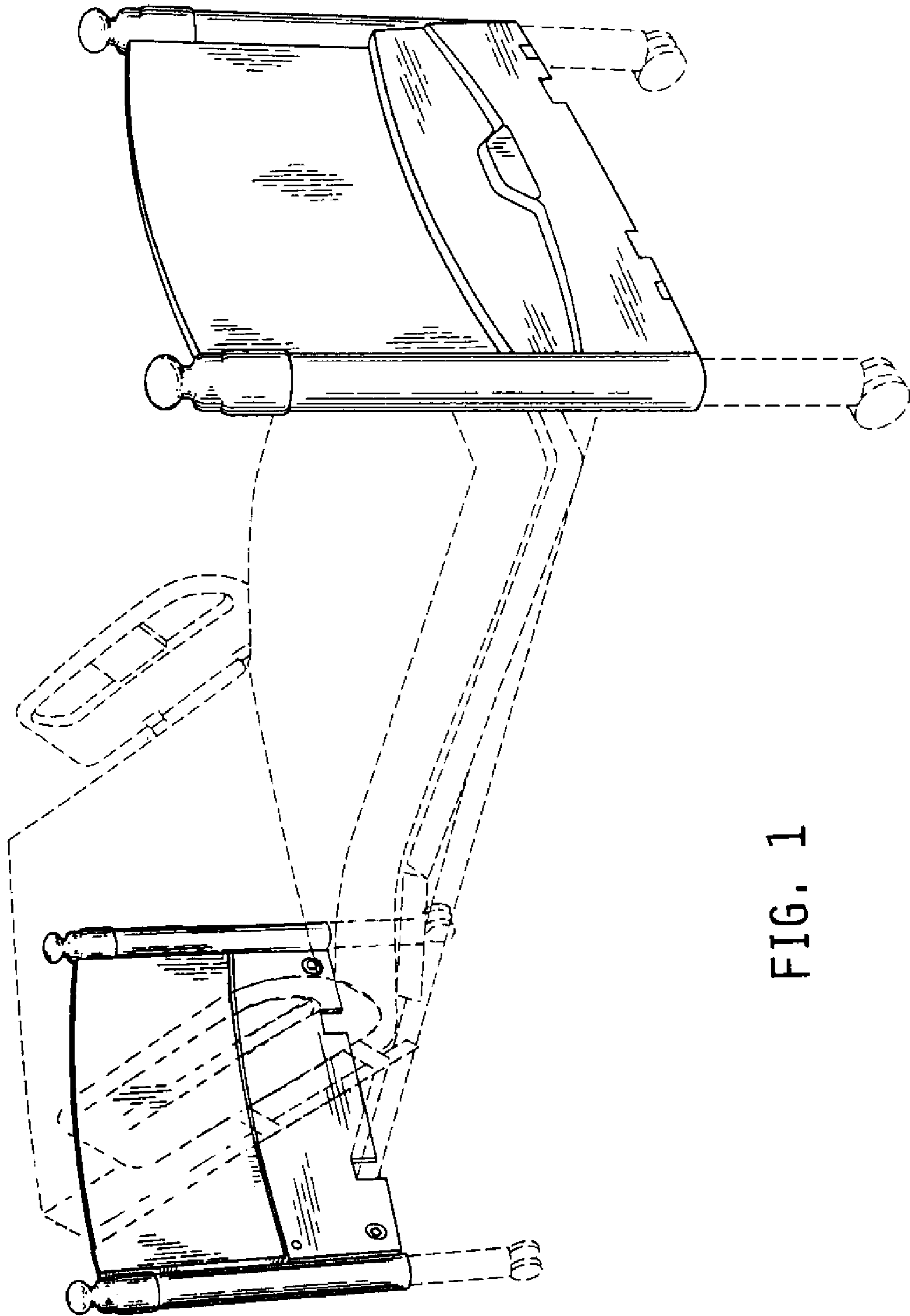


FIG. 1

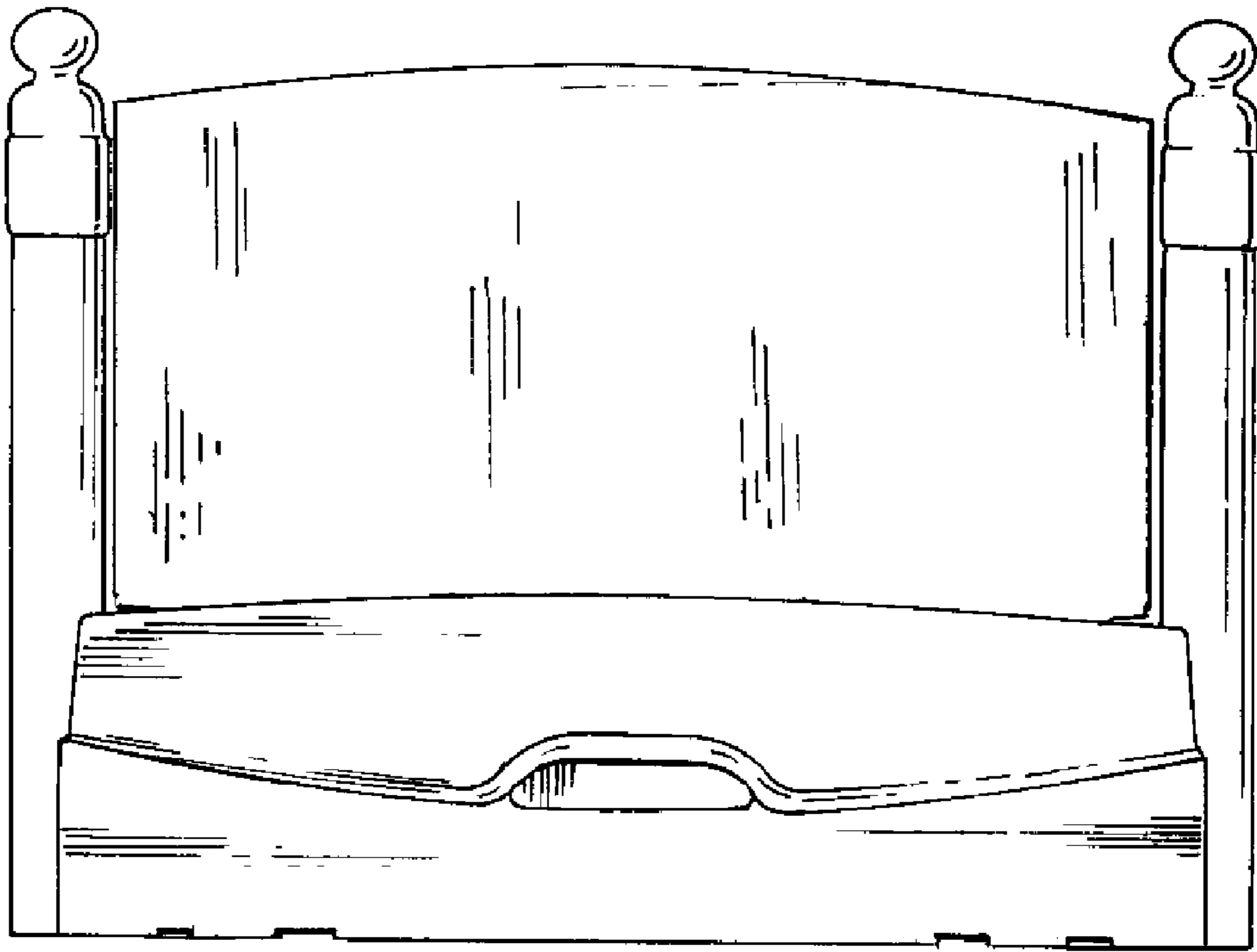


FIG. 2

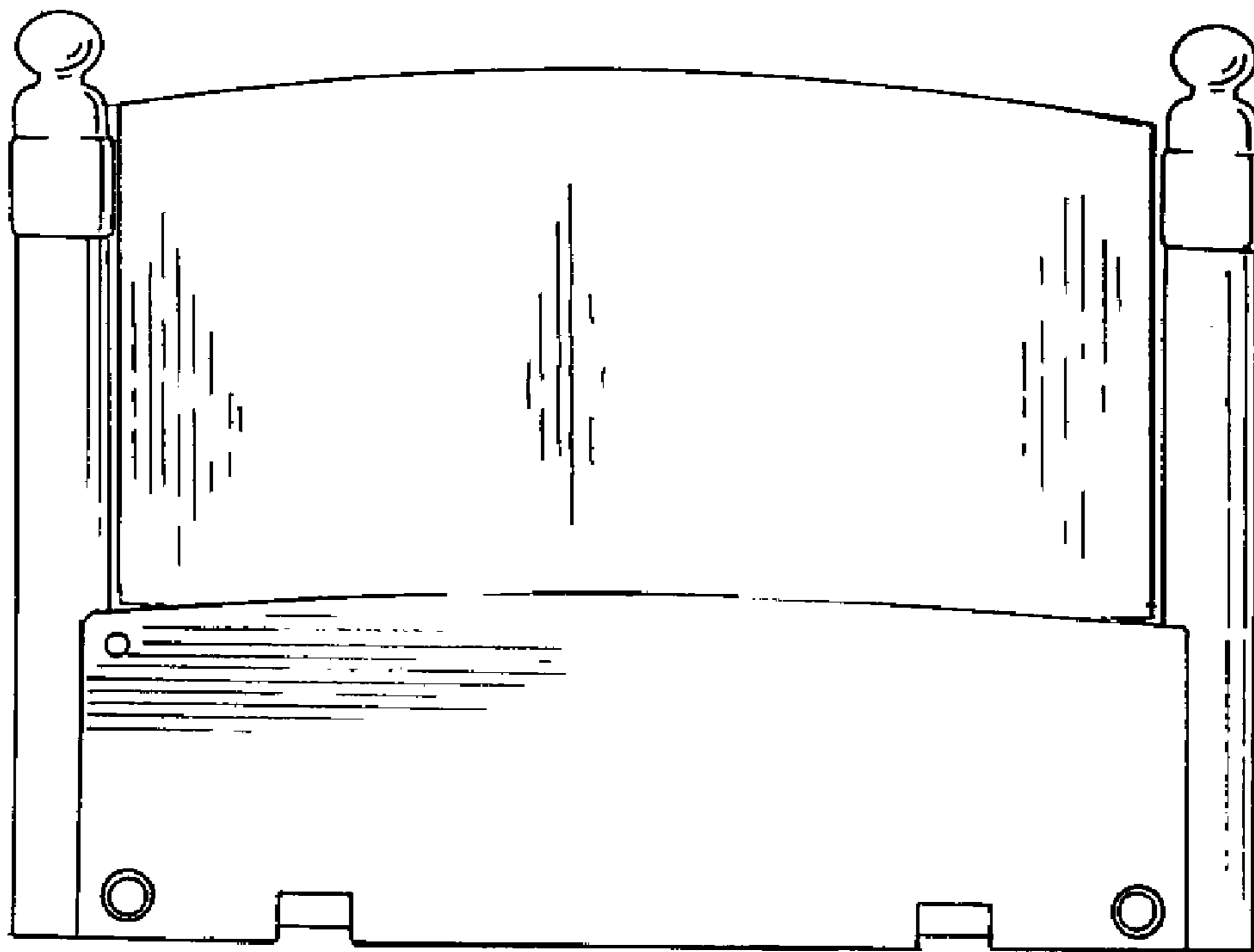


FIG. 3

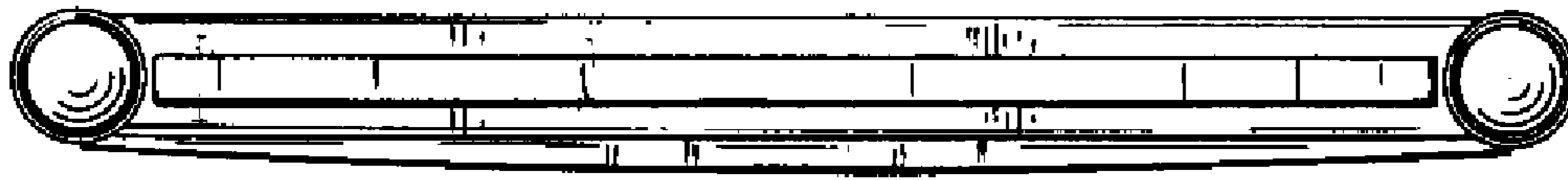


FIG. 4



FIG. 5



FIG. 6

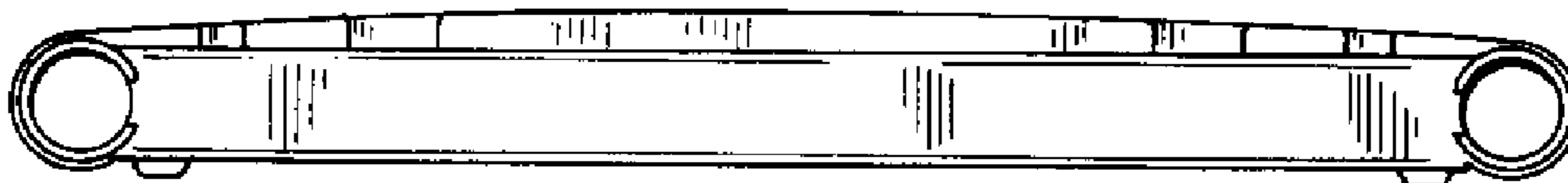


FIG. 7

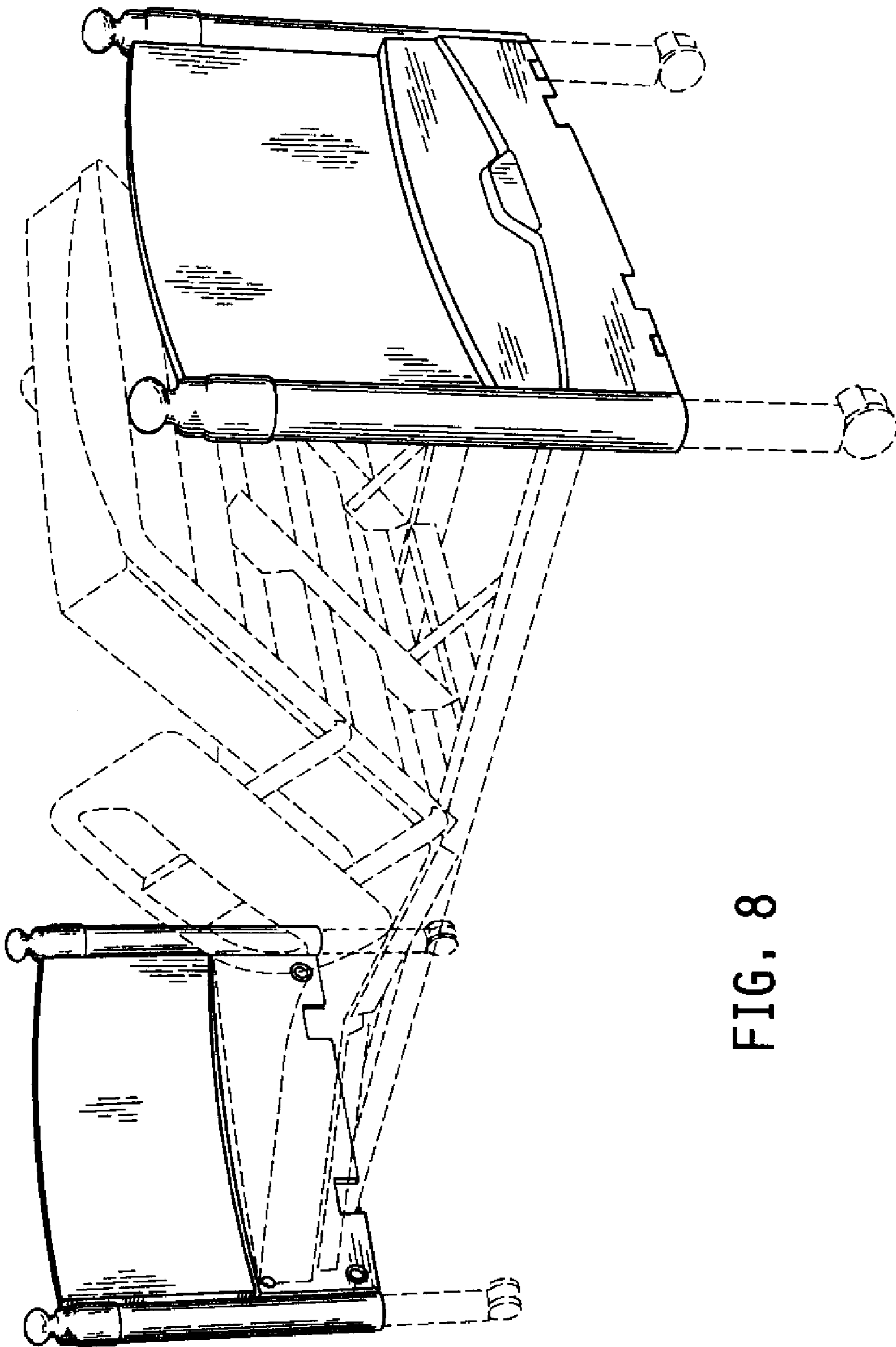


FIG. 8

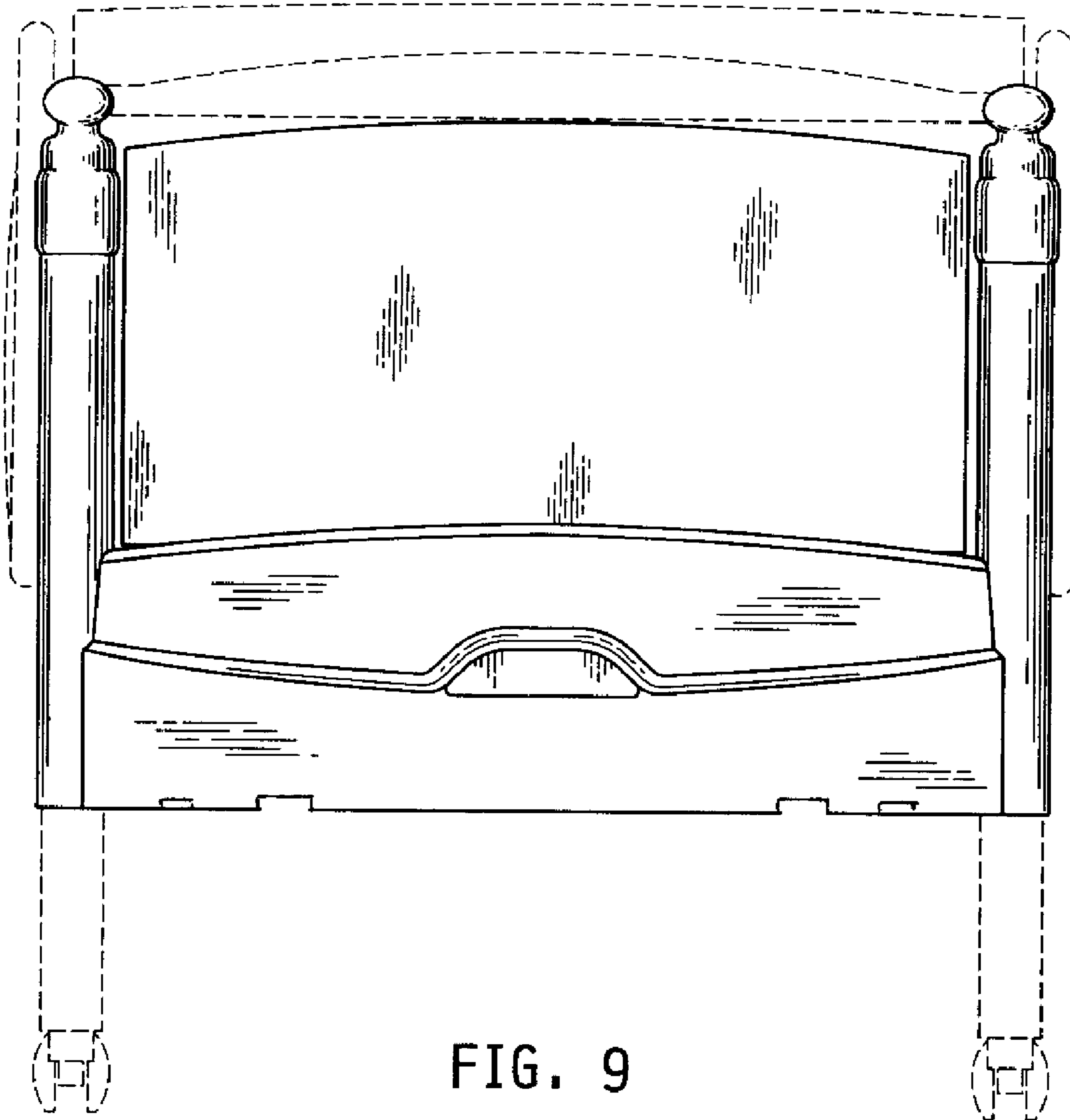


FIG. 9

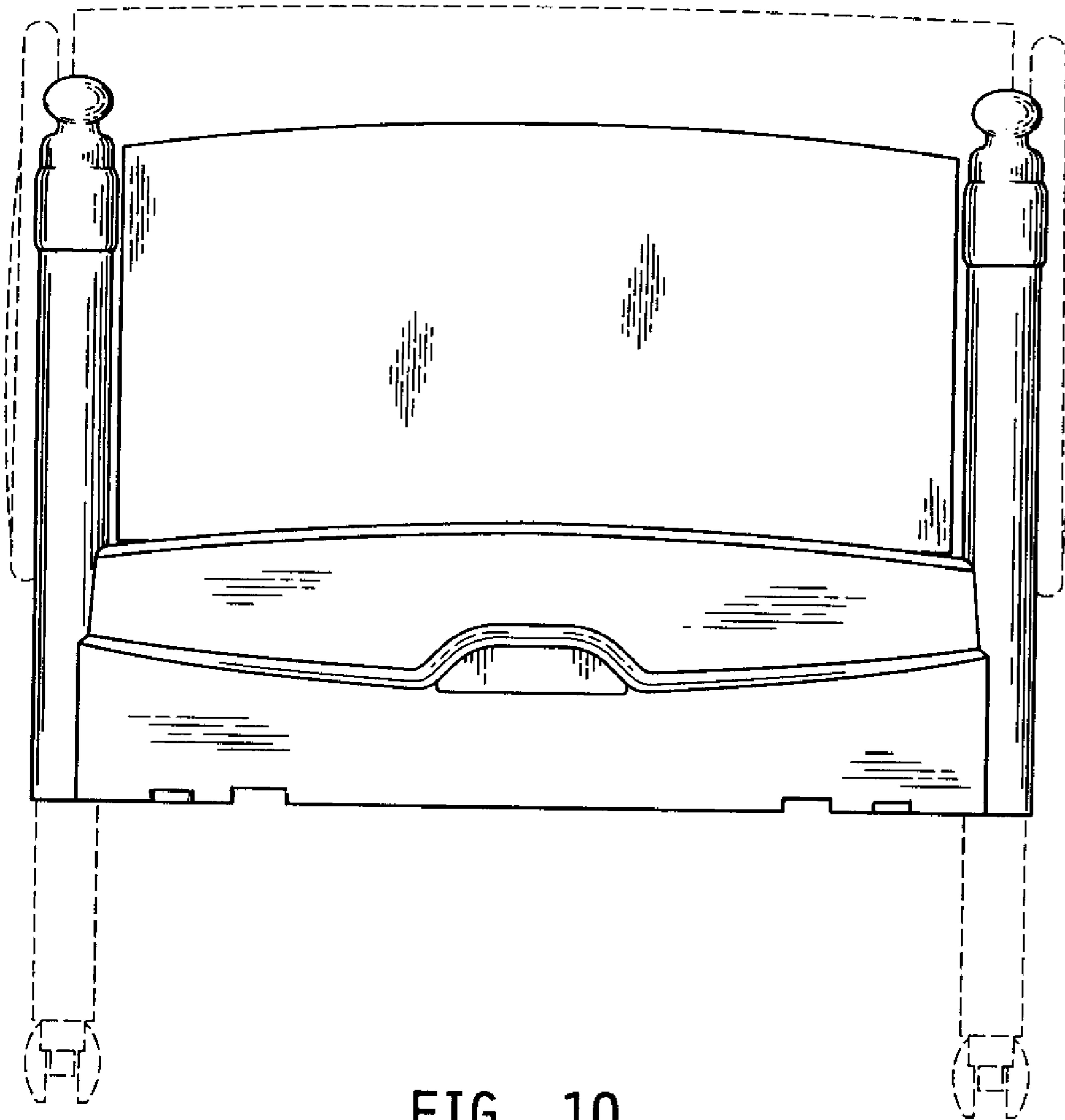


FIG. 10

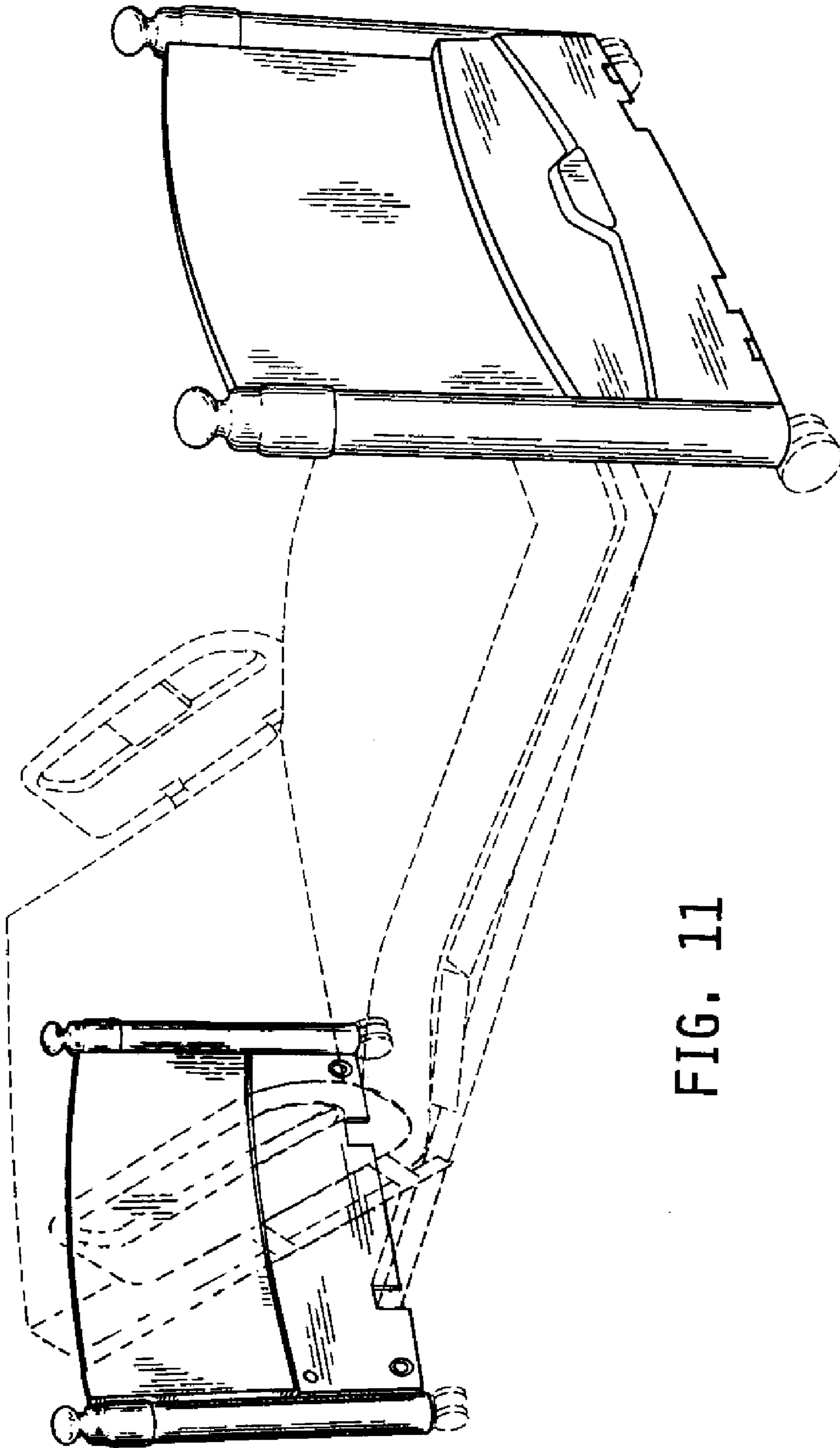


FIG. 11

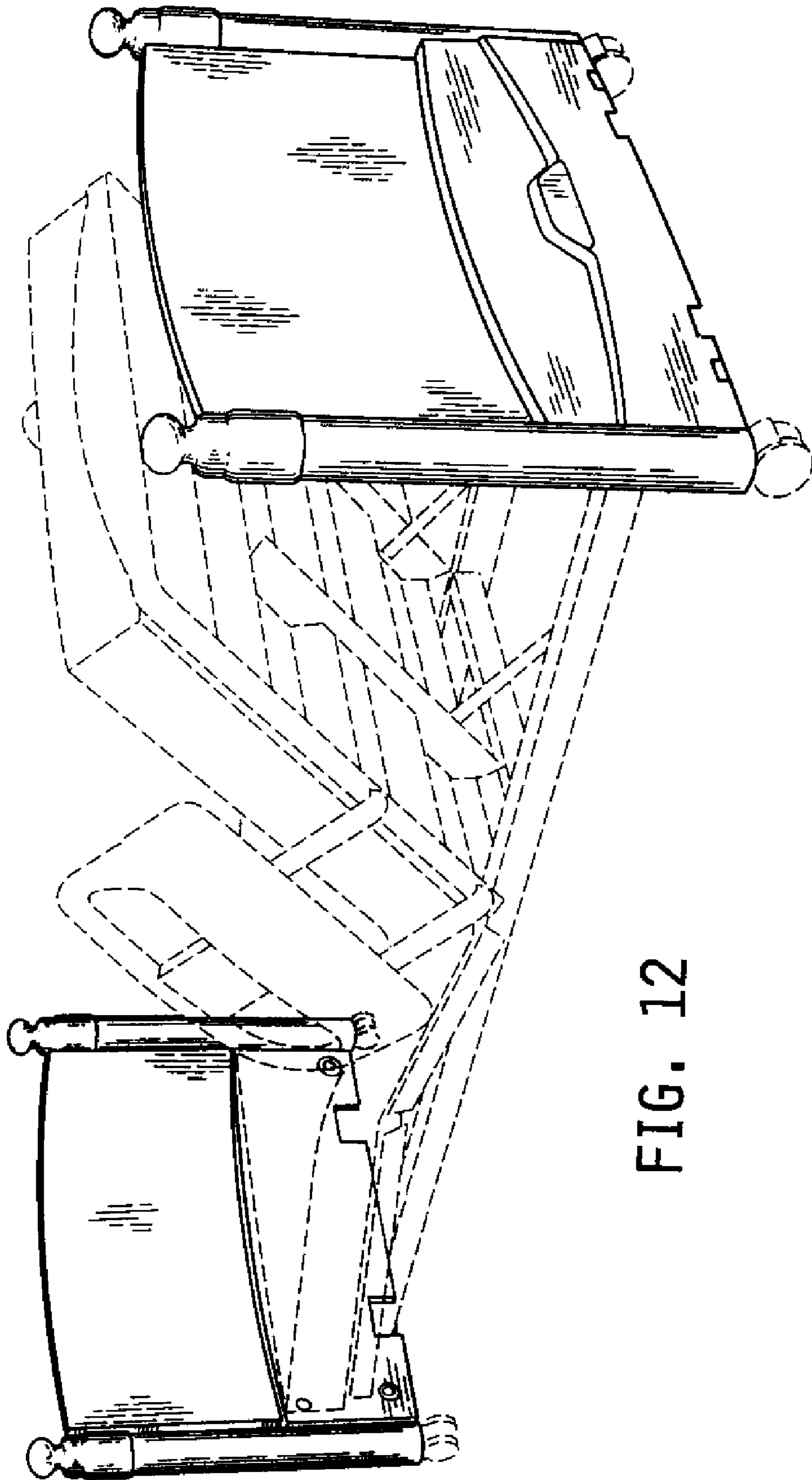


FIG. 12

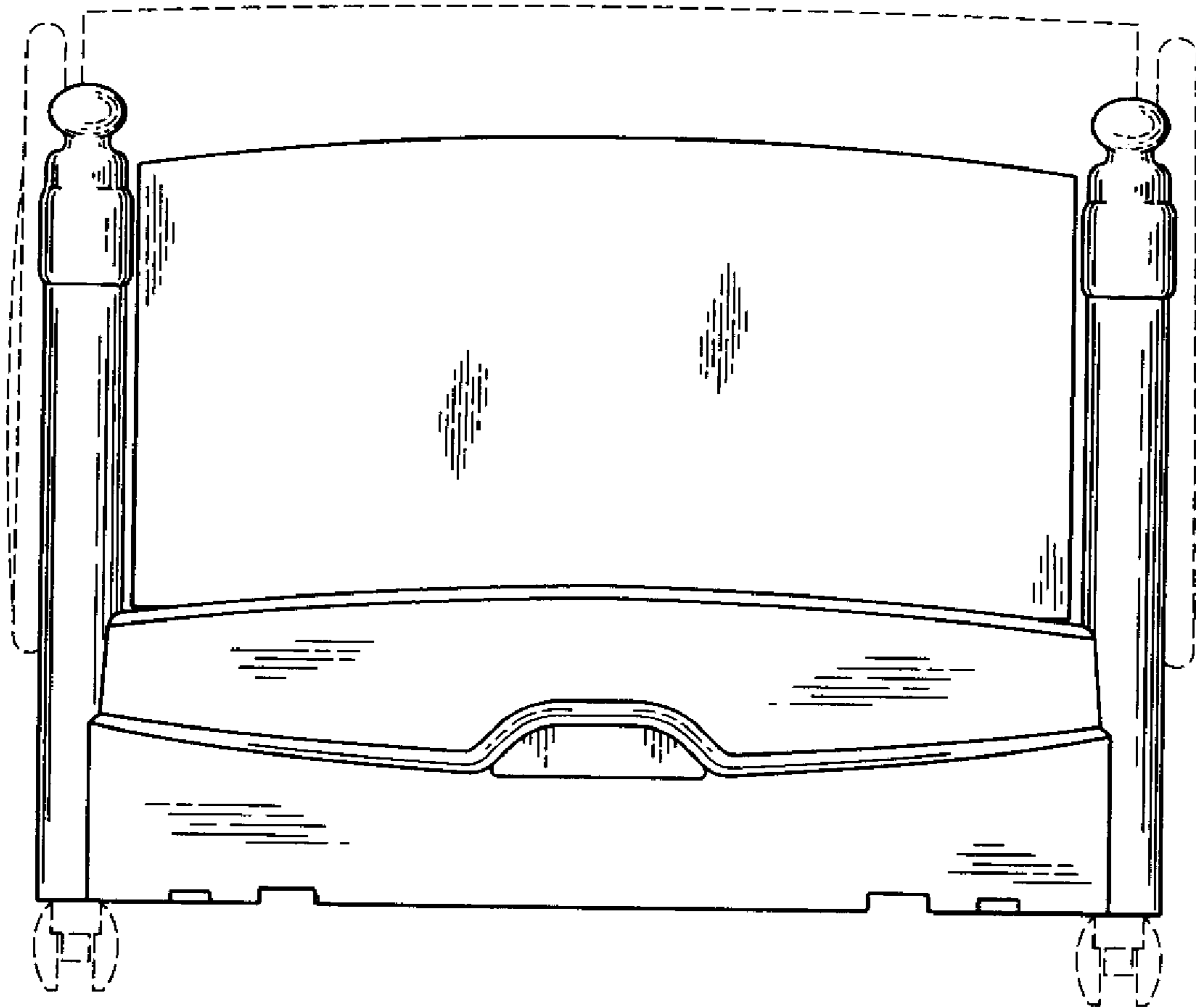


FIG. 13

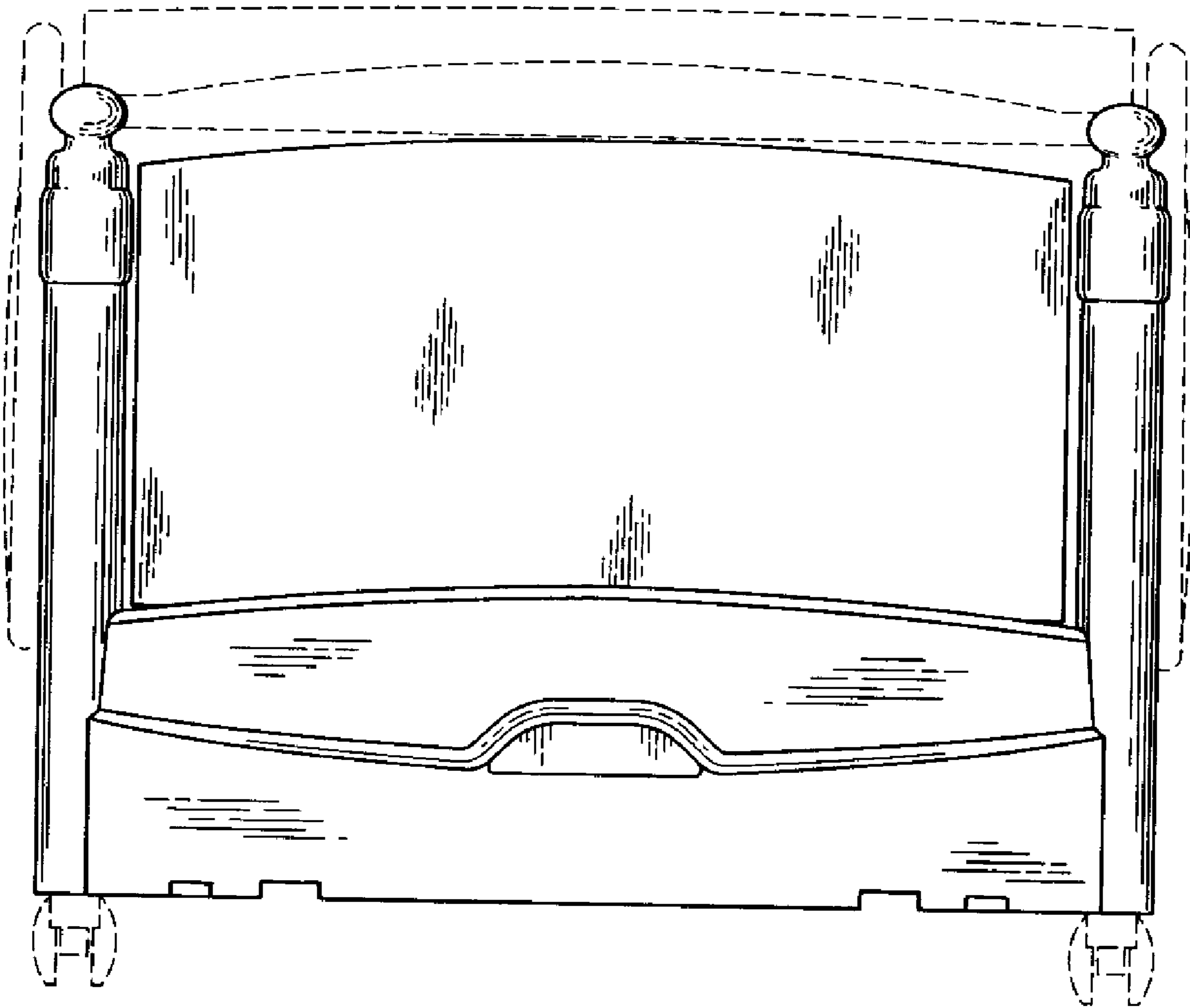


FIG. 14