

US00D599143S

(12) **United States Design Patent**  
**Opsvik**

(10) **Patent No.:** **US D599,143 S**

(45) **Date of Patent:** **\*\* Sep. 1, 2009**

(54) **BACKREST STANCHION FOR A CHILD'S CHAIR**

D523,646 S \* 6/2006 Fretschner et al. .... D6/333  
D564,038 S \* 3/2008 Johnson et al. .... D21/425  
D590,159 S \* 4/2009 Lin ..... D6/339  
D590,608 S \* 4/2009 Ebina ..... D6/339

(75) Inventor: **Peter Opsvik**, Oslo (NO)

\* cited by examiner

(73) Assignee: **Peter Opsvik AS**, Oslo (NO)

*Primary Examiner*—Sandra Snapp

(\*\*) Term: **14 Years**

(74) *Attorney, Agent, or Firm*—Schneck & Schneck; Thomas Schneck

(21) Appl. No.: **29/277,598**

(22) Filed: **Mar. 2, 2007**

(57) **CLAIM**

(30) **Foreign Application Priority Data**

I claim the ornamental design for a backrest stanchion for a child's chair, as shown and described.

Sep. 4, 2006 (NO) ..... 20060454

**DESCRIPTION**

(51) **LOC (9) Cl.** ..... **06-01**

FIG. 1 is a front perspective view illustrating a backrest stanchion for a child's chair;

(52) **U.S. Cl.** ..... **D6/502**

FIG. 2 is a rear perspective view thereof;

(58) **Field of Classification Search** ..... D6/333,  
D6/335, 339, 491, 500–502; D12/129; D21/412,  
D21/419; 280/30, 31; 5/94, 98.1, 99.1, 101,  
5/102, 105, 655; 297/183.1, 183.2, 183.3,  
297/183.4, 184.13, 184.15, 184.17, 250.1,  
297/255, 256.1, 256.15, 256.16  
See application file for complete search history.

FIG. 3 is a front view thereof;

FIG. 4 is a rear view thereof;

FIG. 5 is a right side view thereof;

FIG. 6 is a left side view thereof;

FIG. 7 is a top view thereof with broken lines disclosing elements not part of the claimed design;

FIG. 8 is a bottom view thereof;

FIG. 9 is a front perspective view thereof with broken lines disclosing the environment associated with the design but not part of the claimed design; and,

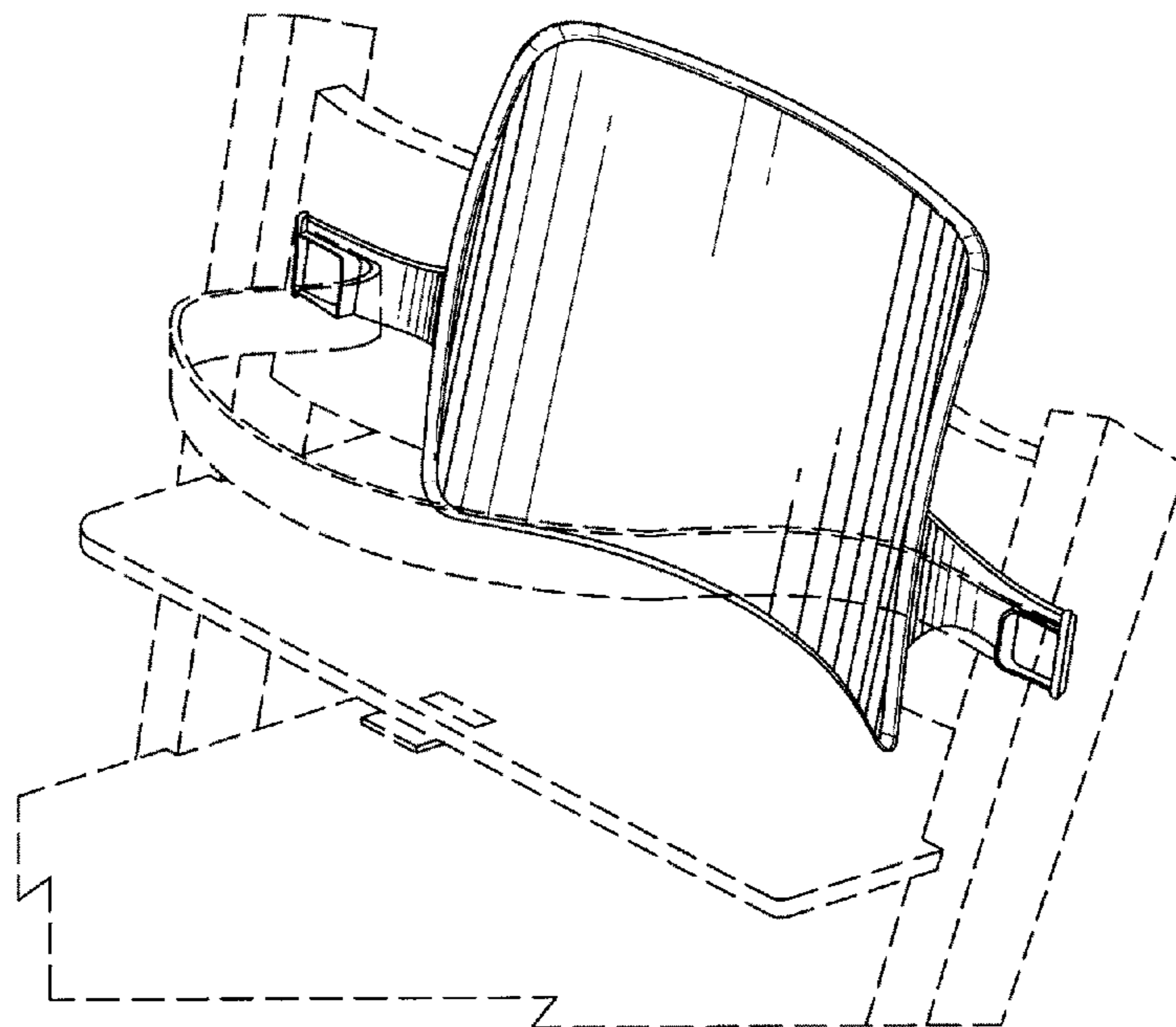
FIG. 10 is a rear perspective view thereof with broken lines disclosing the environment associated with the design but not part of the claimed design.

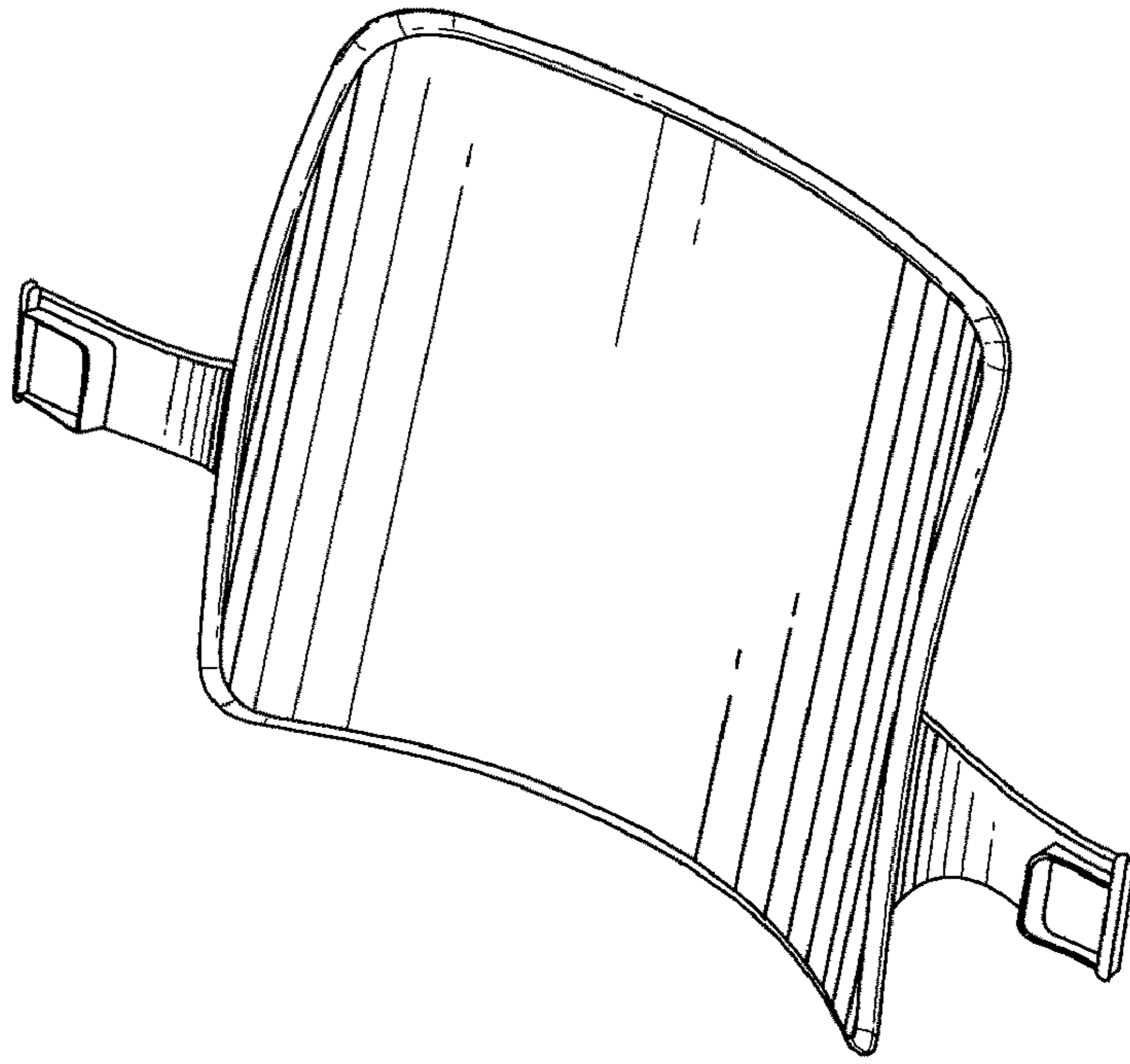
(56) **References Cited**

**U.S. PATENT DOCUMENTS**

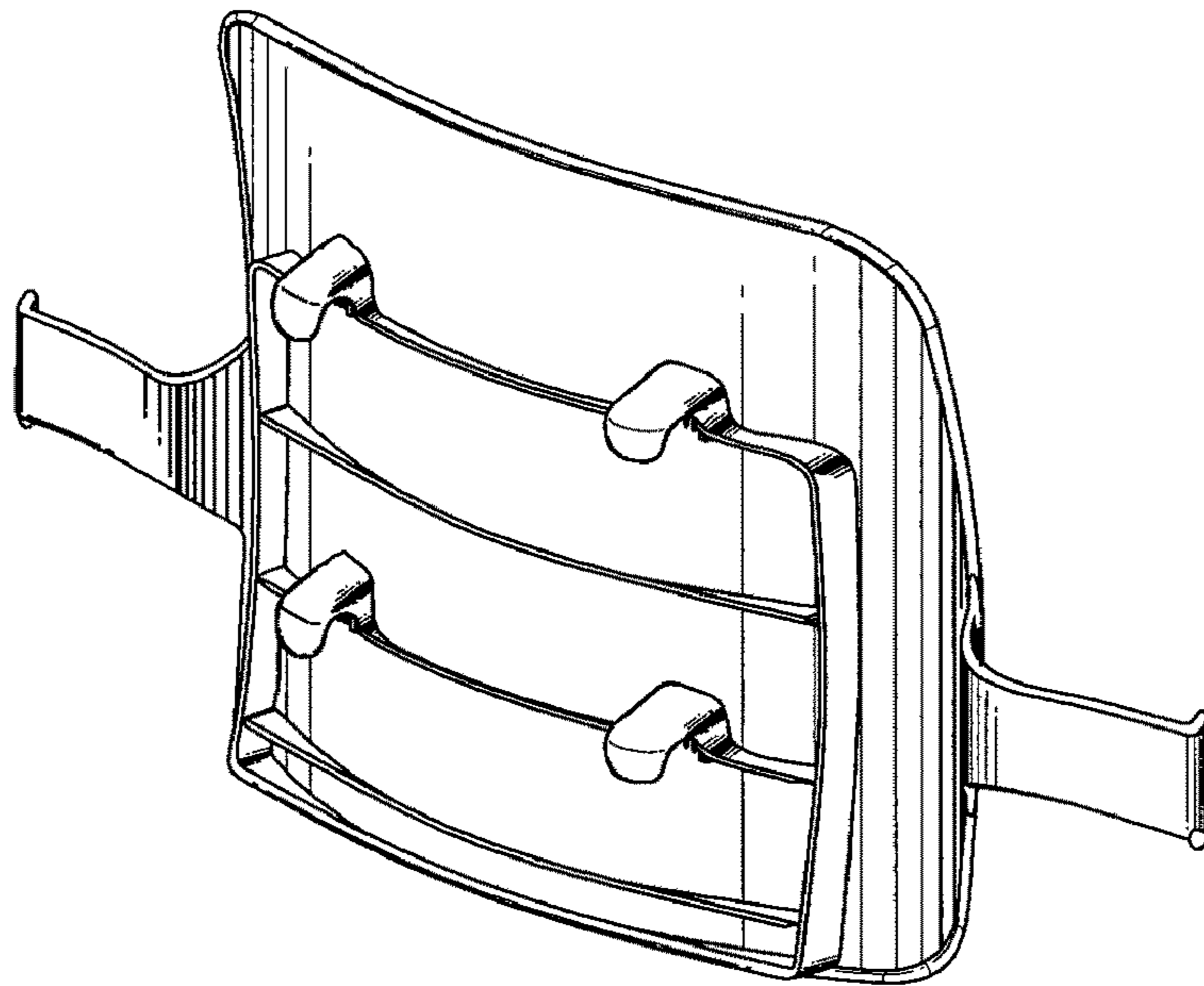
1,650,163 A \* 11/1927 Taylor ..... 280/87.01  
5,087,097 A \* 2/1992 Hehn ..... 297/153  
D365,449 S \* 12/1995 Wood ..... D6/333  
D409,007 S \* 5/1999 Osterweil-Glaz et al. .... D6/335  
D463,693 S \* 10/2002 Hsieh ..... D6/502  
D483,419 S \* 12/2003 Chiappetta et al. .... D21/425  
6,932,365 B2 \* 8/2005 Chiappetta et al. .... 280/47.371  
6,991,290 B1 \* 1/2006 Wiertzema ..... 297/230.1

**1 Claim, 5 Drawing Sheets**

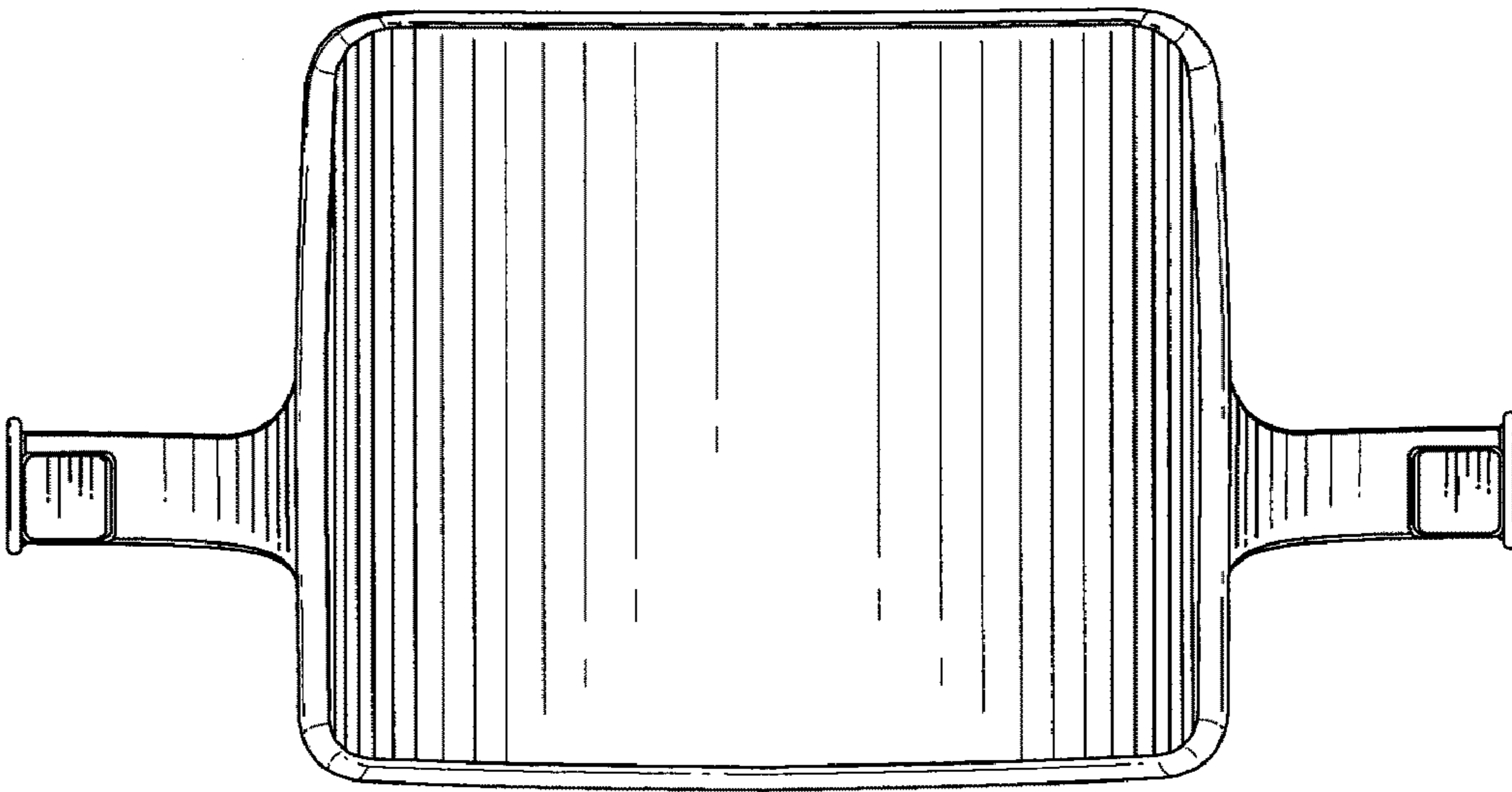




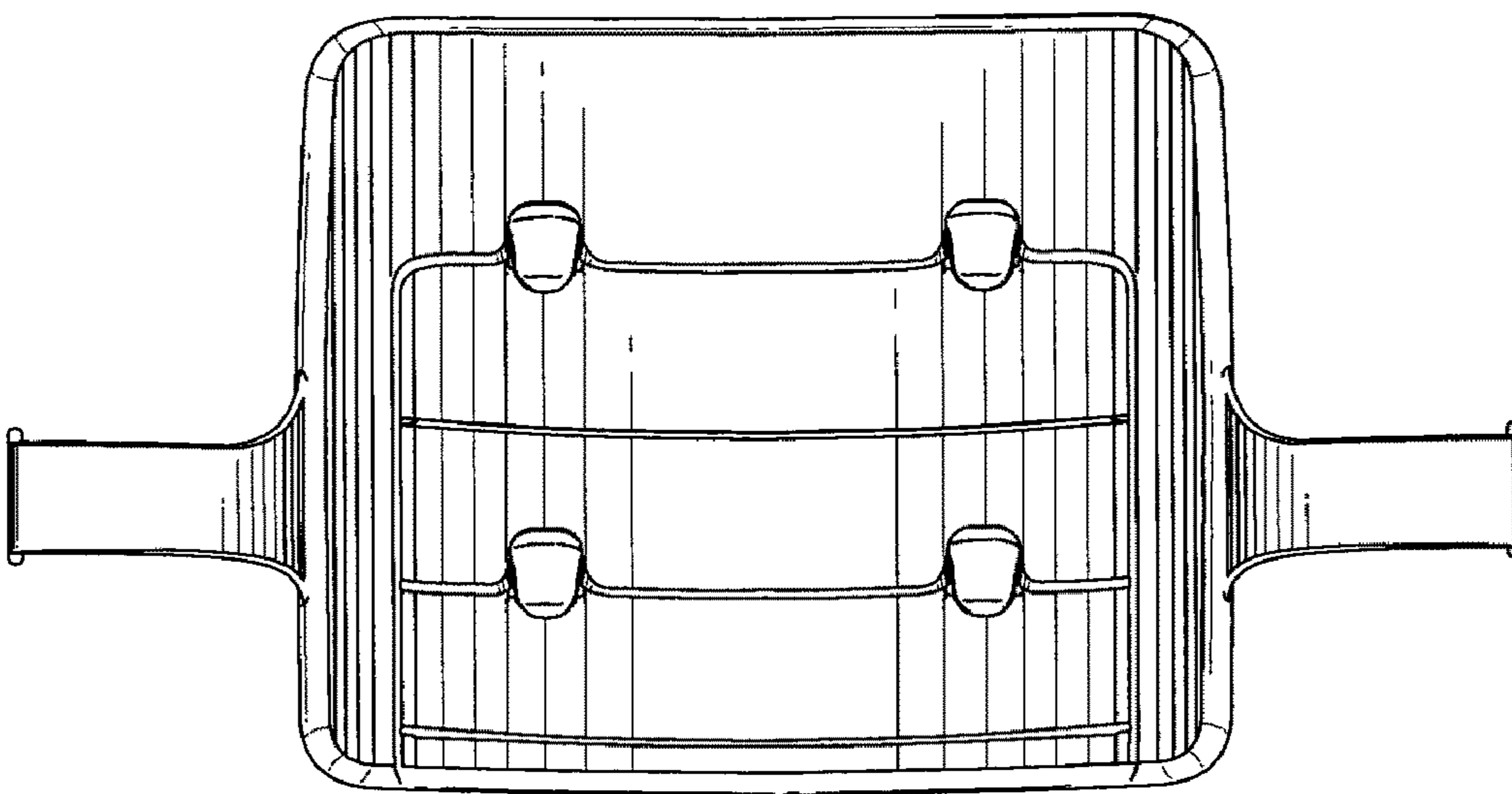
*Fig. 1*



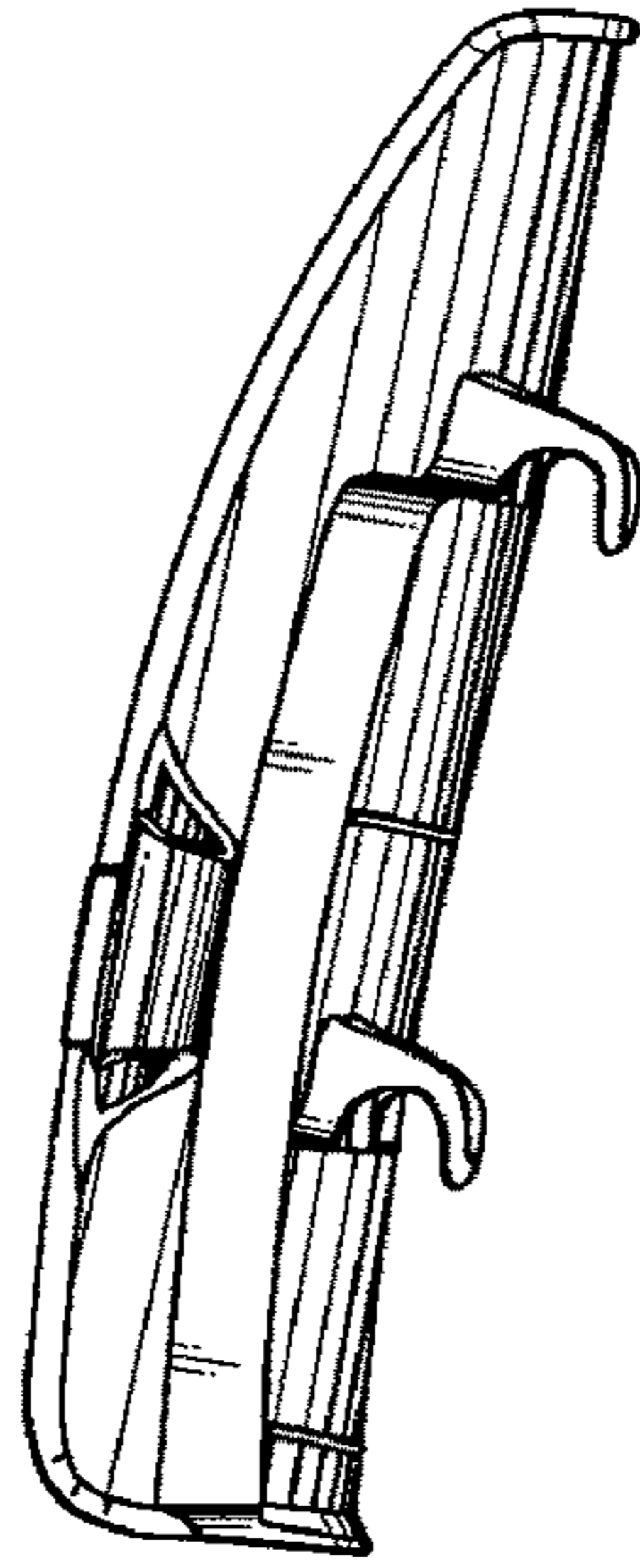
*Fig. 2*



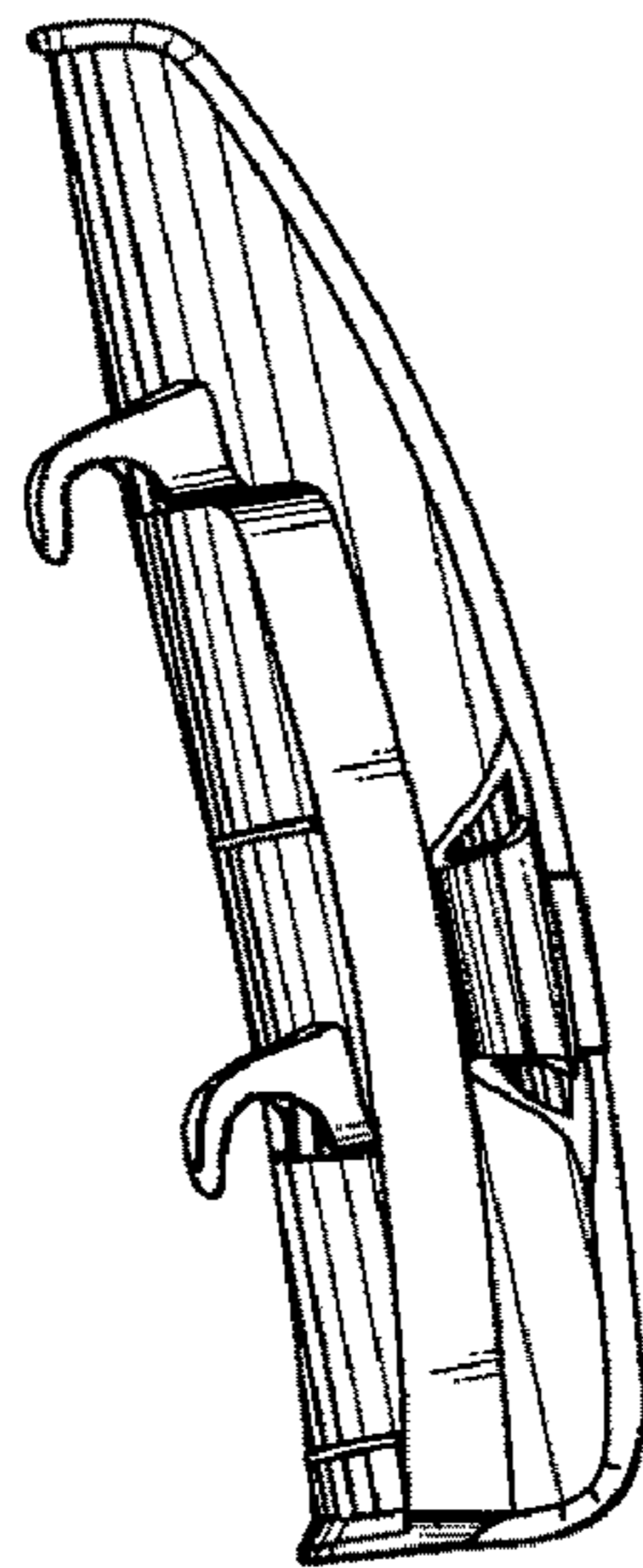
*Fig. 3*



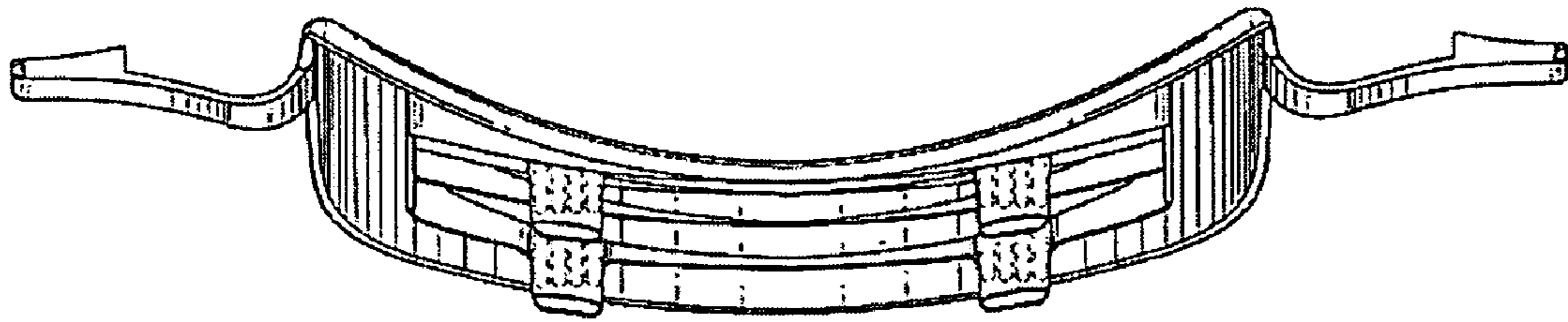
*Fig. 4*



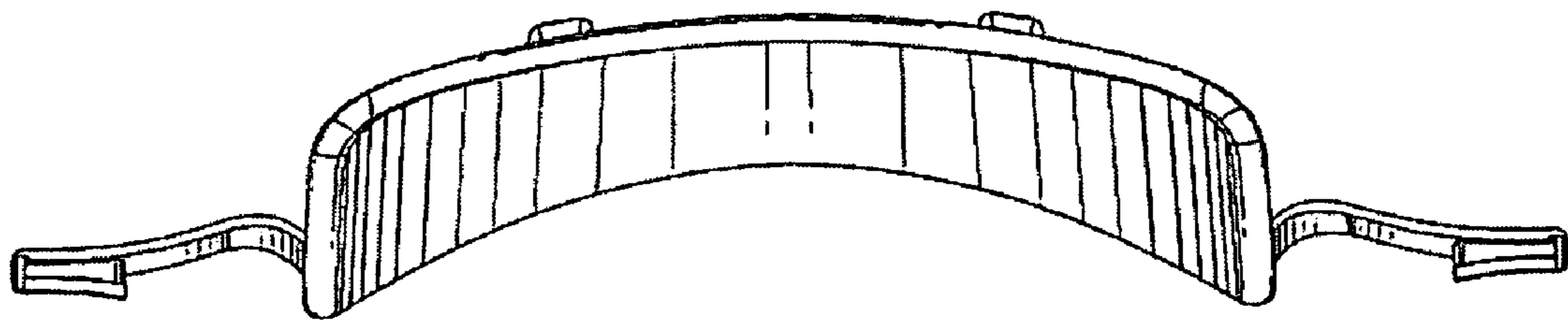
*Fig. 5*



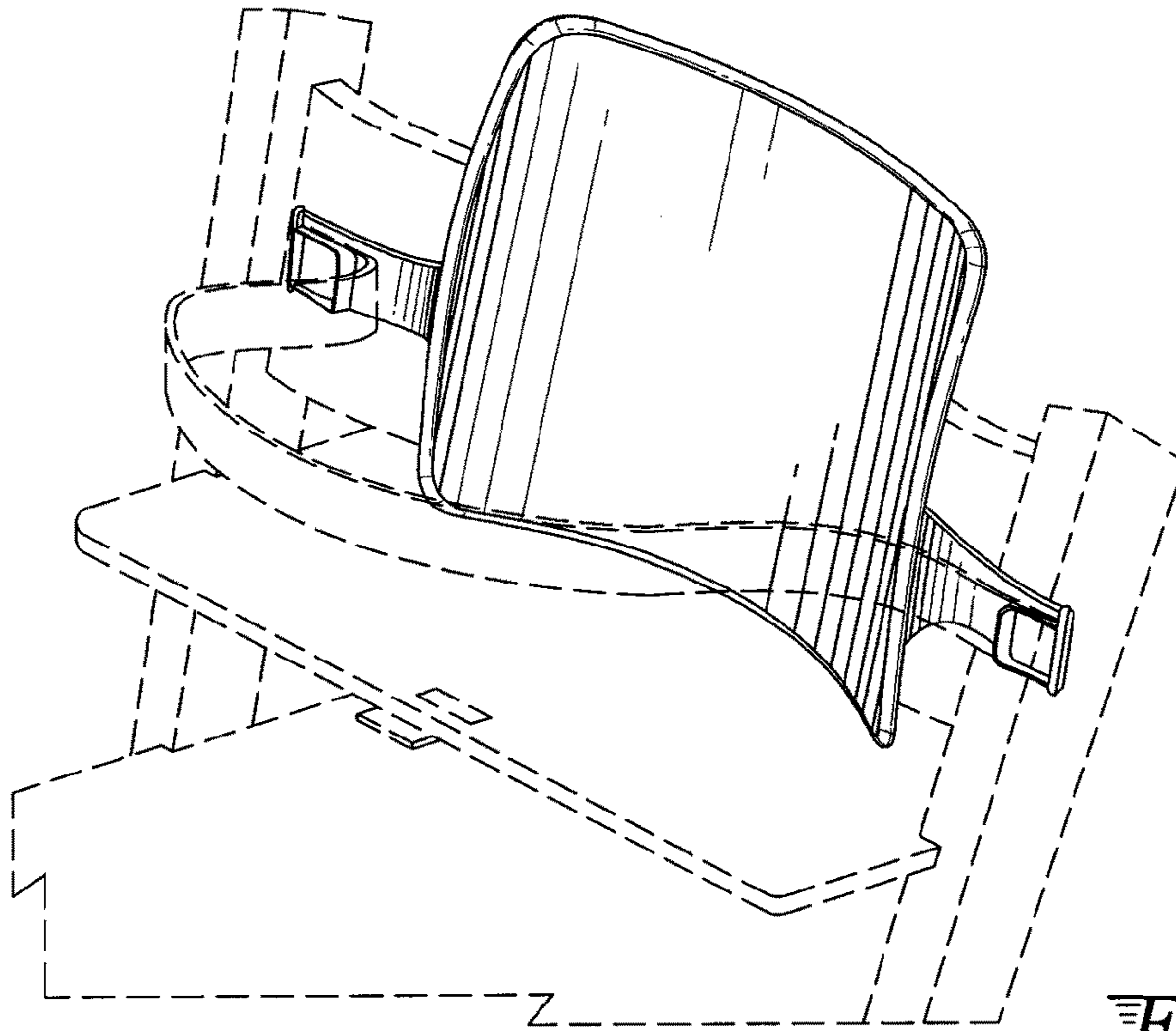
*Fig. 6*



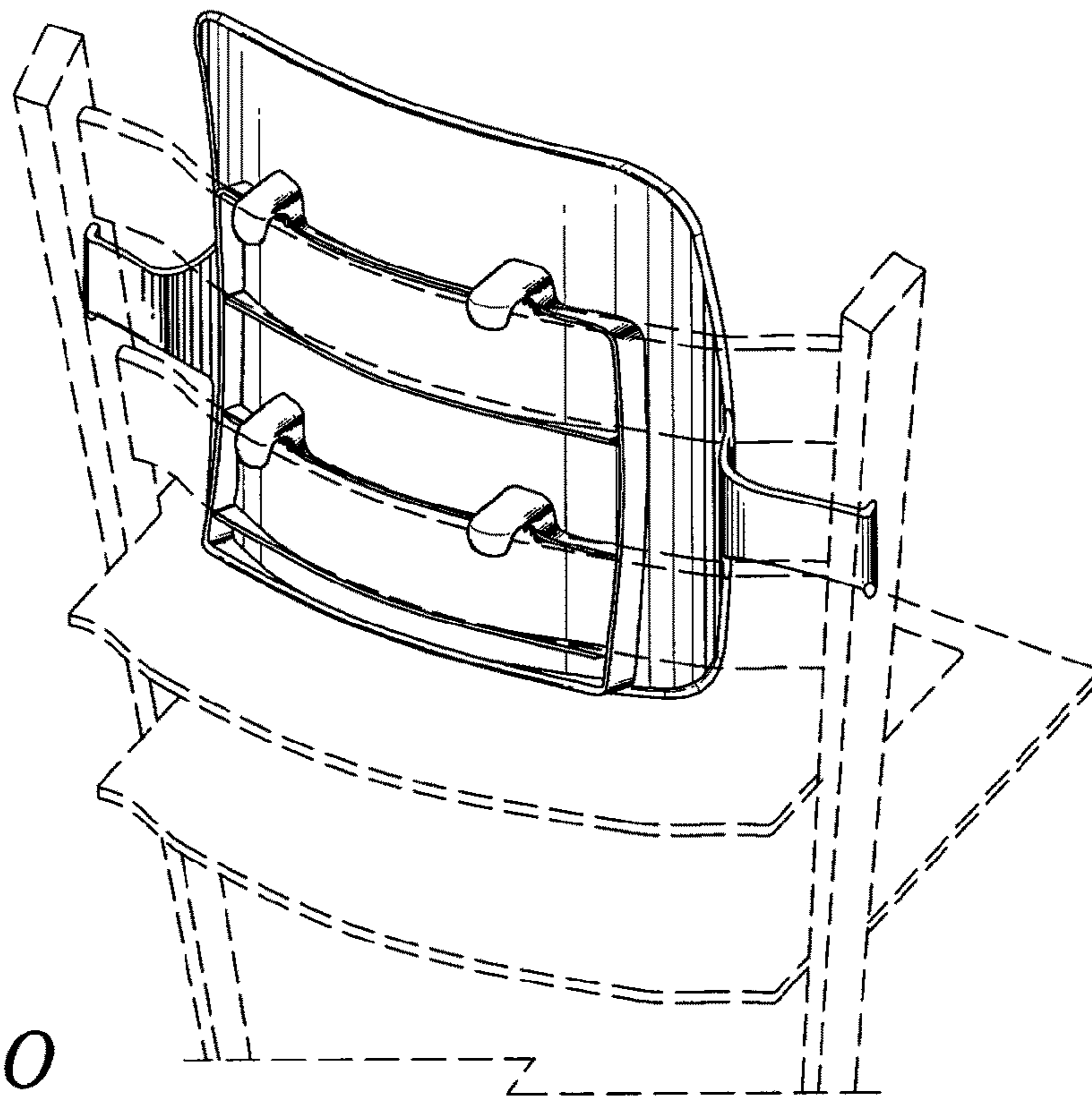
*Fig. 7*



*Fig. 8*



*Fig. 9*



*Fig. 10*