



US00D599137S

(12) **United States Design Patent**
Martin et al.

(10) **Patent No.:** **US D599,137 S**

(45) **Date of Patent:** **** Sep. 1, 2009**

(54) **WORK SURFACE ASSEMBLY**

(75) Inventors: **Kirt D. Martin**, Alto, MI (US); **Daniel E. Waugh**, Grand Rapids, MI (US); **David C. Eberlein**, Hudsonville, MI (US)

(73) Assignee: **Steelcase Inc.**, Grand Rapids, MI (US)

(**) Term: **14 Years**

(21) Appl. No.: **29/280,621**

(22) Filed: **Jun. 1, 2007**

(51) **LOC (9) Cl.** **06-04**

(52) **U.S. Cl.** **D6/451**

(58) **Field of Classification Search** D6/336,
D6/384, 396, 451, 492, 511, 480-489; 108/153.1,
108/152, 156, 157.1, 43
See application file for complete search history.

(56) **References Cited**

U.S. PATENT DOCUMENTS

1,251,719 A	1/1918	Wege
1,258,773 A	3/1918	Hoffman et al.
1,696,456 A	12/1928	Sebring
1,786,823 A	12/1930	Carrington et al.
2,223,023 A	11/1940	Weilemann
2,276,636 A	3/1942	Weber
2,877,511 A	3/1959	Viola
3,000,682 A	9/1961	Loew et al.
3,189,140 A	6/1965	Luss
3,438,688 A	4/1969	Ferdinand et al.
3,490,824 A	1/1970	Barlett et al.
3,563,624 A	2/1971	Stice
3,601,912 A	8/1971	Dobbs
3,635,174 A	1/1972	Ball et al.
3,636,661 A	1/1972	Strawsine
3,736,035 A	5/1973	Brown et al.
3,852,916 A	12/1974	Laby

3,883,202 A	5/1975	Konig
3,945,742 A	3/1976	Condevaux
3,966,338 A	6/1976	Ghyczy
4,009,796 A	3/1977	Schmidt
4,094,256 A	6/1978	Holper et al.
4,148,535 A	4/1979	Fenwick
4,296,981 A	10/1981	Hildebrandt et al.

(Continued)

Primary Examiner—Elizabeth A Albert

Assistant Examiner—Kelley A Donnelly

(74) *Attorney, Agent, or Firm*—Quarles & Brady, LLP

(57) **CLAIM**

The ornamental design for a work surface assembly, as shown and described.

DESCRIPTION

In a preferred embodiment, the nature of this product is a worksurface assembly that is part of a modular office furniture system.

FIG. 1 is a top, front, left perspective view of a work surface assembly embodying our new design;

FIG. 2 is a front elevational view thereof, the rear elevational view being identical to the front elevational view;

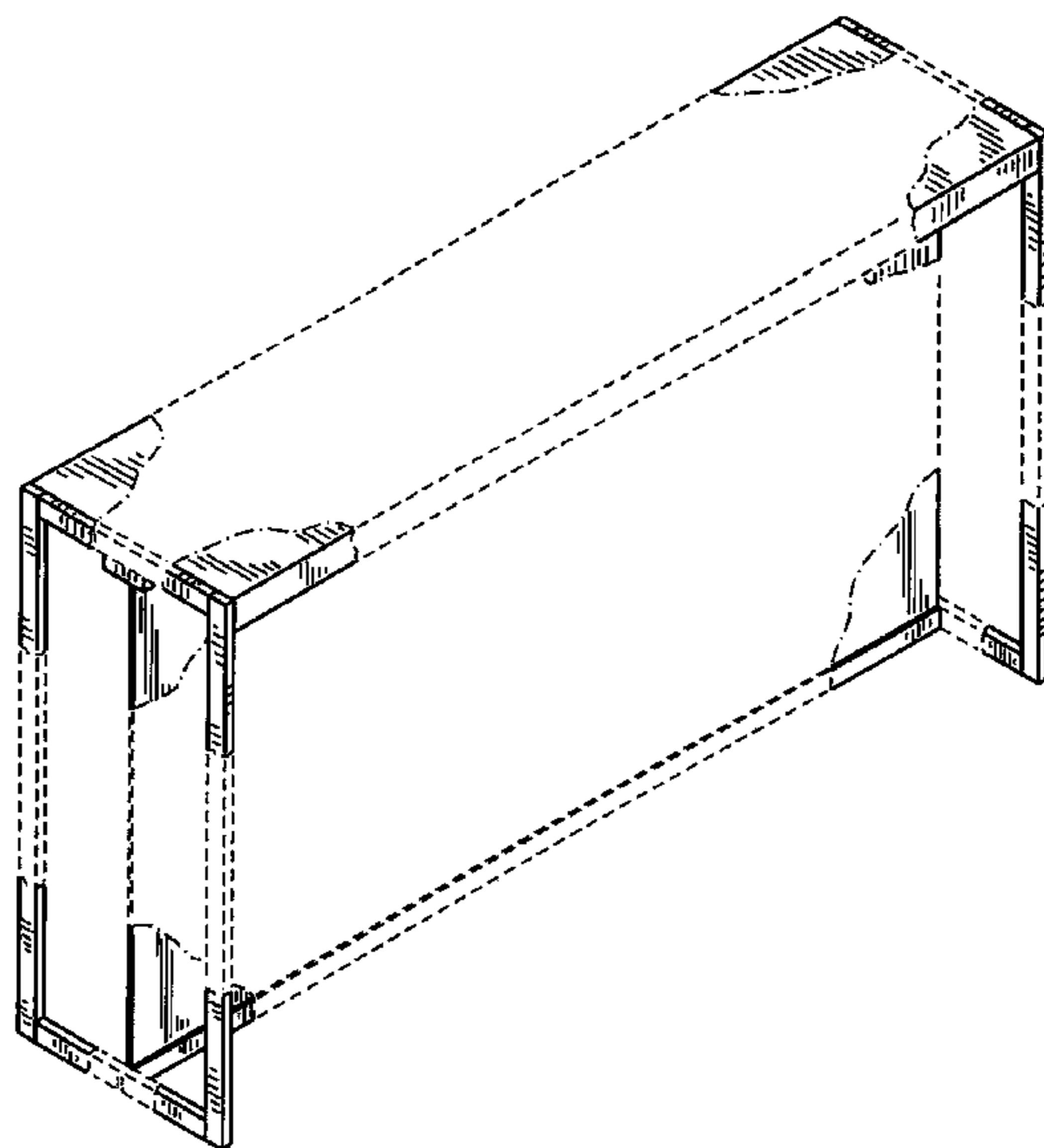
FIG. 3 is a right side elevational view thereof, the left side elevational view being identical to the right side elevational view;

FIG. 4 is a top plan view thereof; and,

FIG. 5 is a bottom plan view thereof.

The broken line representations of a work surface in FIGS. 1-5, of a vertical panel in FIGS. 1-3, of vertical work surface support structure in FIGS. 1-5, of vertical panel support structure in FIGS. 1-3, and of work surface support structure in FIG. 5 are for environmental purposes only and form no part of the claimed design.

1 Claim, 3 Drawing Sheets



US D599,137 S

Page 2

U.S. PATENT DOCUMENTS								
4,323,291	A	4/1982	Ball	5,971,508	A	10/1999	Deimen et al.	
4,463,057	A	7/1984	Kniirr	D420,748	S	*	2/2000	Strickland et al. D24/234
RE31,733	E	11/1984	Haworth et al.	6,039,420	A		3/2000	Besserer et al.
4,535,577	A	8/1985	Tenser et al.	6,047,508	A		4/2000	Goodman et al.
4,603,787	A	8/1986	Essary	6,134,852	A		10/2000	Shipman et al.
4,619,486	A	10/1986	Hannah et al.	6,158,178	A		12/2000	Jeffers et al.
4,639,049	A	1/1987	Frascaroli et al.	6,202,567	B1		3/2001	Funk et al.
4,653,652	A	3/1987	Avati	6,216,606	B1		4/2001	Kathardekar et al.
4,734,826	A	3/1988	Wilson et al.	6,253,509	B1		7/2001	Hellwig et al.
4,747,248	A	5/1988	Fahs	6,283,043	B1		9/2001	Stern et al.
4,778,487	A	10/1988	Chenel	6,327,983	B1		12/2001	Cronk et al.
4,792,881	A	12/1988	Wilson et al.	6,427,608	B1		8/2002	Crinion
4,798,423	A	1/1989	LaCour	D477,153	S	*	7/2003	Thorp et al. D6/397
4,882,885	A	11/1989	Chatterson et al.	D477,940	S	*	8/2003	Woods D6/511
4,948,205	A	8/1990	Kelley	6,712,433	B2		3/2004	Hellwig et al.
4,998,636	A	3/1991	Hardigg	6,751,914	B2		6/2004	Zeh et al.
5,024,167	A	6/1991	Hayward	6,877,824	B2		4/2005	Winkless
5,046,791	A	9/1991	Kooiman	6,951,085	B2		10/2005	Hodges et al.
5,173,001	A	12/1992	Schunke	7,100,999	B2		9/2006	Stravitz
5,214,890	A	6/1993	Levitan et al.	D559,564	S	*	1/2008	Bakker et al. D6/332
5,231,562	A	7/1993	Pierce et al.	D567,536	S	*	4/2008	Paterson D6/436
5,237,935	A	8/1993	Newhouse et al.	D567,551	S	*	4/2008	Verbeek et al. D6/495
5,265,972	A	11/1993	Bahr	D568,062	S	*	5/2008	Newhouse D6/423
5,277,005	A	1/1994	Hellwig et al.	D568,630	S	*	5/2008	Paterson D6/436
5,277,007	A	1/1994	Hellwig et al.	D568,639	S	*	5/2008	Henriott D6/495
5,328,260	A	7/1994	Beirise	D570,643	S	*	6/2008	Brownlow et al. D7/387
5,428,928	A	7/1995	Hellwig et al.	D573,372	S	*	7/2008	Gibbs et al. D6/477
5,466,058	A	11/1995	Chan	D580,692	S	*	11/2008	Woods D6/511
5,467,703	A	11/1995	Crinion	D581,192	S	*	11/2008	Hazelwood et al. D6/511
5,720,547	A	2/1998	Baird	D584,542	S		1/2009	Martin et al.
5,791,265	A	8/1998	Ellsworth et al.	2003/0222545	A1		12/2003	Stravitz
5,853,236	A	12/1998	Rogers et al.	2005/0115178	A1		6/2005	Schmidt
5,860,713	A	1/1999	Richardson	2005/0280339	A1		12/2005	Perkins et al.
5,901,513	A	5/1999	Mollenkopf et al.	2007/0209561	A1	*	9/2007	Hsieh 108/156

* cited by examiner

FIG. 1

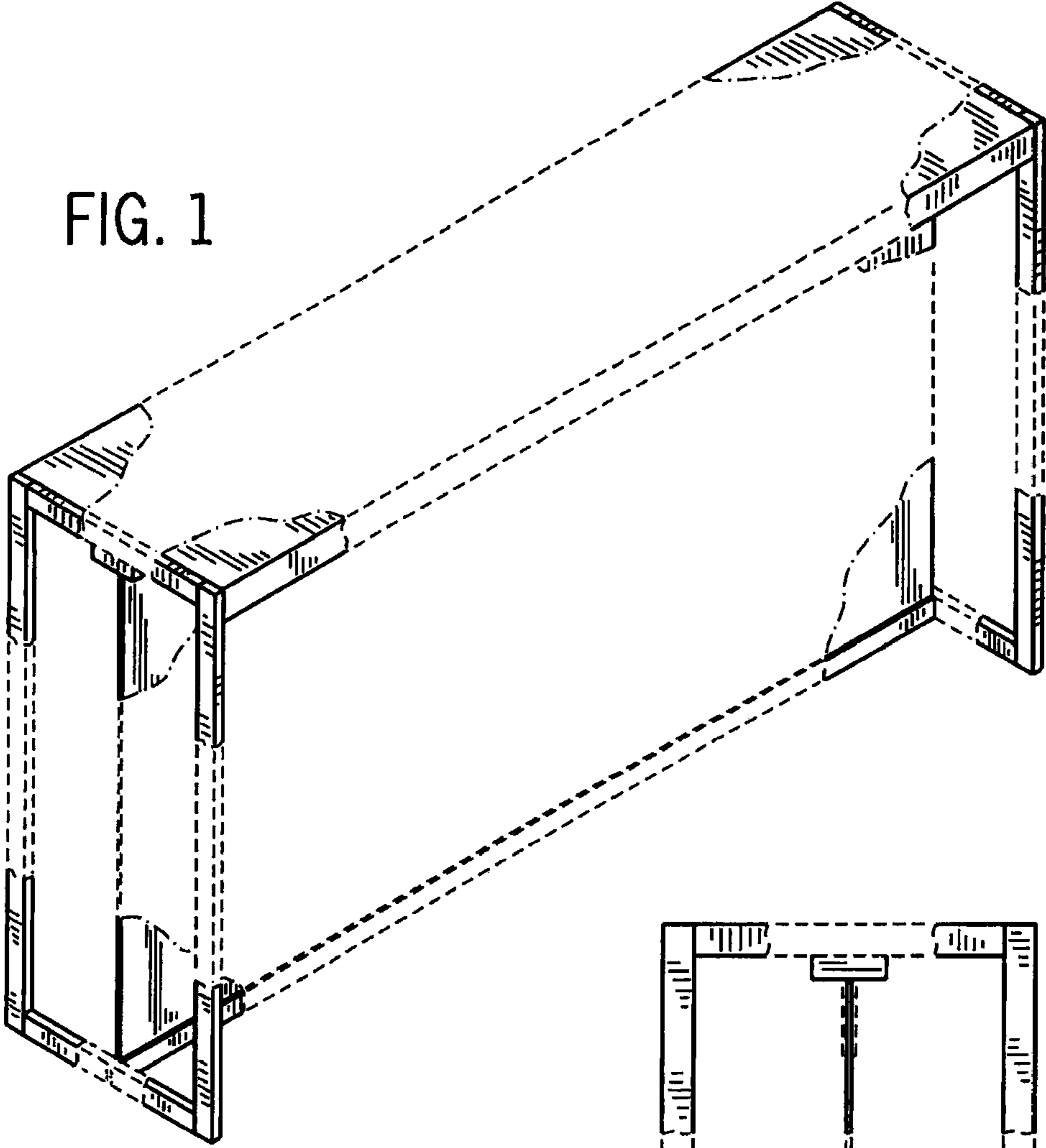
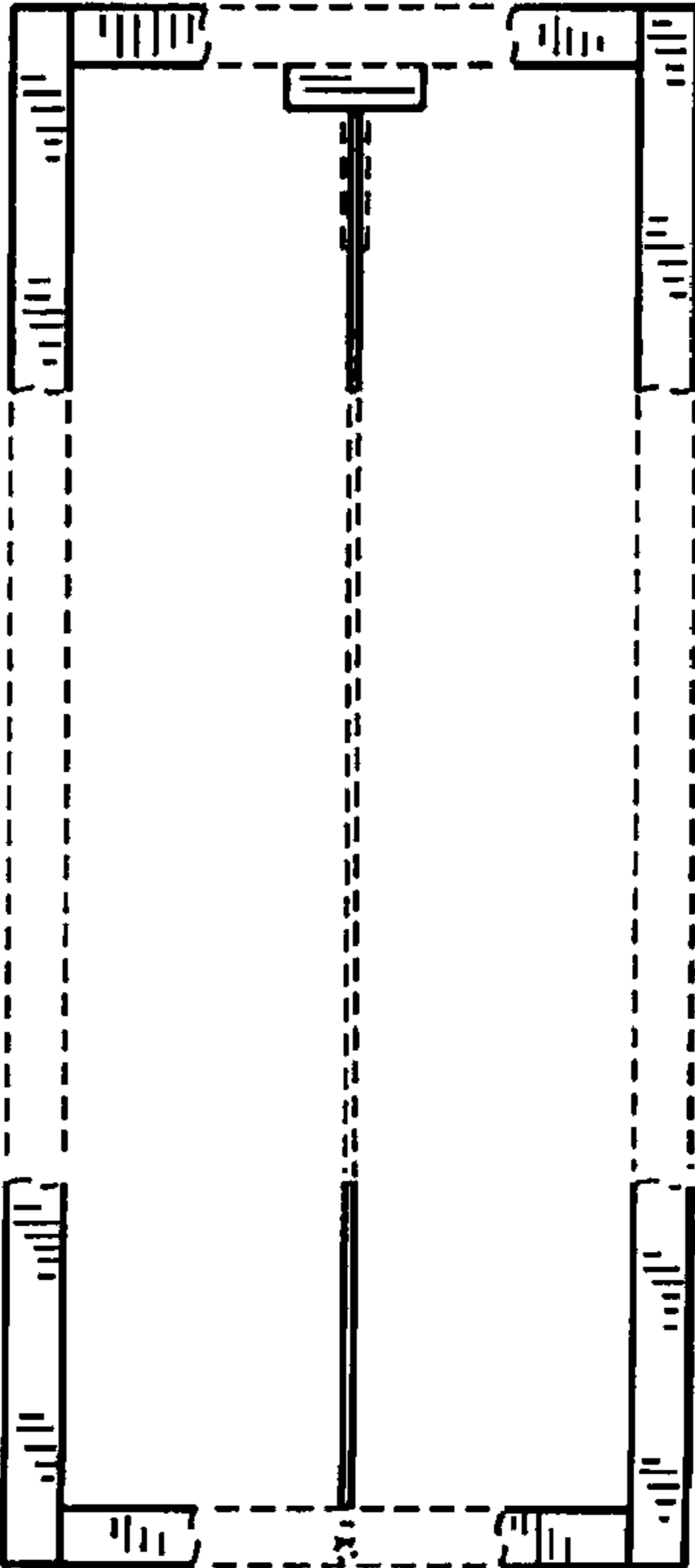


FIG. 3



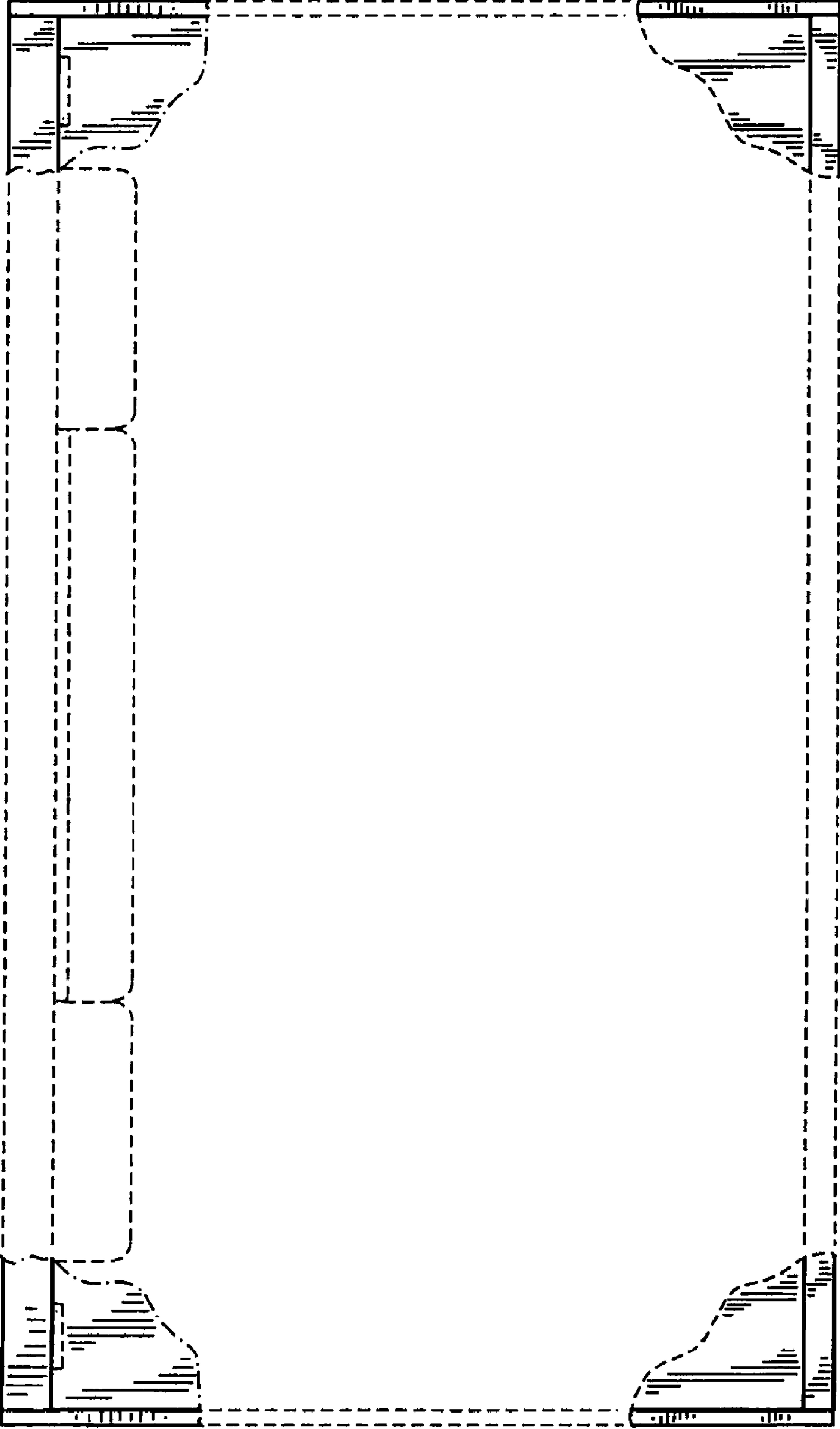


FIG. 2

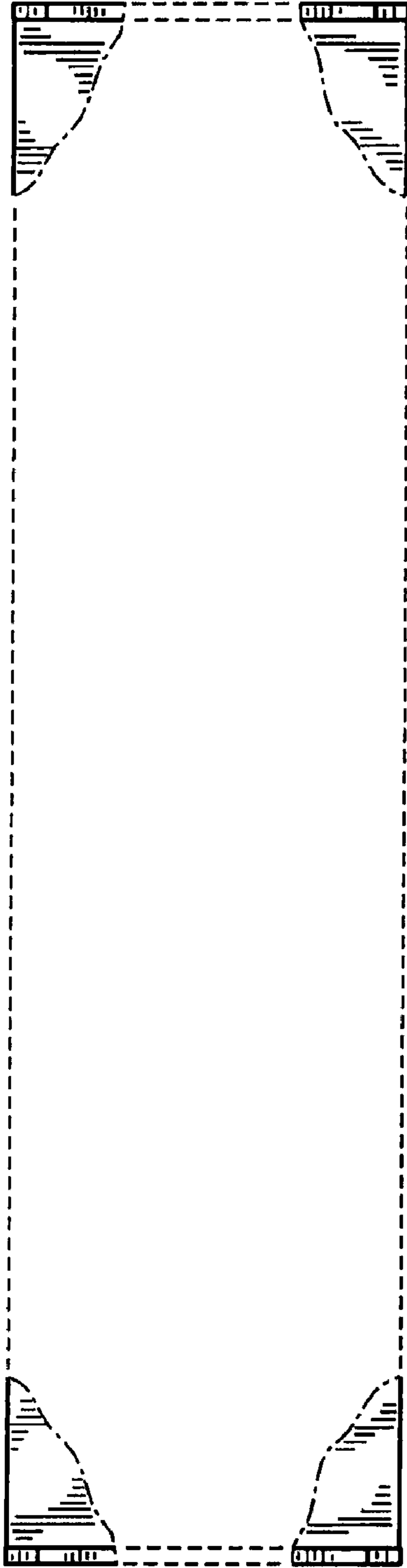


FIG. 4

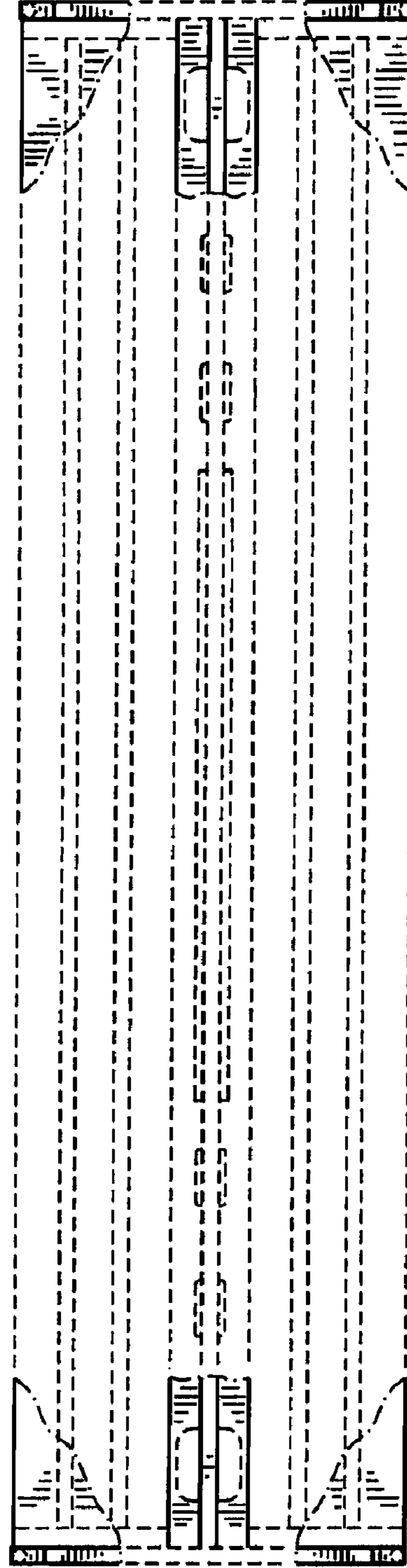


FIG. 5