



US00D599136S

(12) **United States Design Patent**
Jeup

(10) **Patent No.:** **US D599,136 S**
(45) **Date of Patent:** **** Sep. 1, 2009**

- (54) **TABLE**
 - (75) Inventor: **Joseph Jeup**, Hudsonville, MI (US)
 - (73) Assignee: **Donghia, Inc.**, Mount Vernon, NY (US)
 - (**) Term: **14 Years**
 - (21) Appl. No.: **29/319,463**
 - (22) Filed: **Jun. 10, 2008**
 - (51) **LOC (9) Cl.** **06-04**
 - (52) **U.S. Cl.** **D6/446**
 - (58) **Field of Classification Search** D6/432-448,
D6/470-472; 312/114, 138.1, 204, 224,
312/237, 257.1
- See application file for complete search history.

- D325,831 S * 5/1992 Rosen D6/446
- D370,798 S * 6/1996 Rosen D6/446
- D446,408 S * 8/2001 Mathieu et al. D6/446
- D516,835 S * 3/2006 Netto et al. D6/446
- D530,938 S * 10/2006 Netto et al. D6/446

* cited by examiner

Primary Examiner—Mimosa De
(74) *Attorney, Agent, or Firm*—Heslin Rothenberg Farley & Mesiti, P.C.

(57) **CLAIM**

The ornamental design for a table, as shown and described.

DESCRIPTION

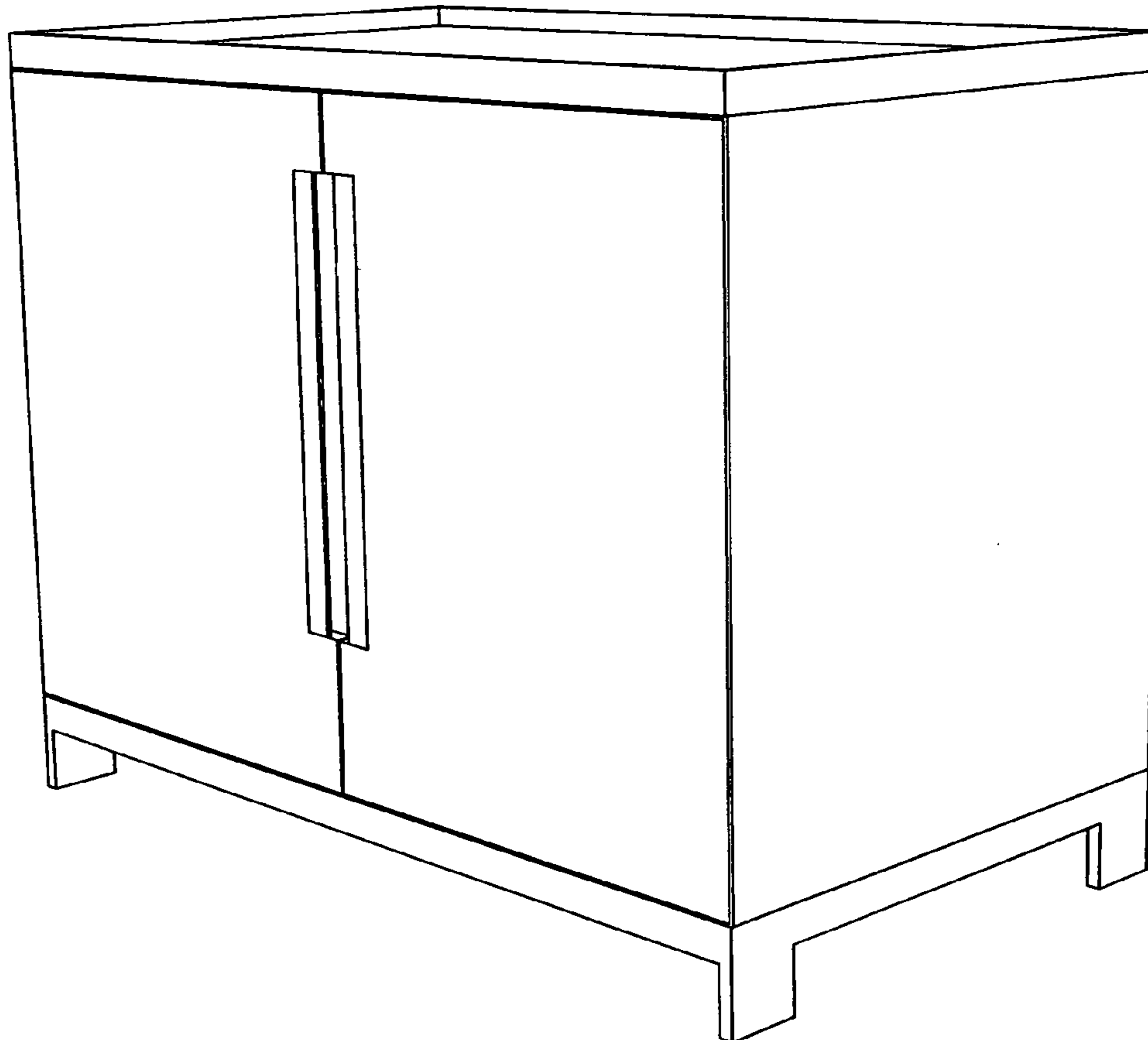
- FIG. 1 is a perspective view of a table comprising the new design;
- FIG. 2 is a top view thereof;
- FIG. 3 is a front view thereof;
- FIG. 4 is a right side view thereof, where the left side is a mirror image thereof; and,
- FIG. 5 is a rear view thereof.

(56) **References Cited**

U.S. PATENT DOCUMENTS

- D102,998 S * 2/1937 Tashjian D6/446
- D158,930 S * 6/1950 Burgold D6/446
- 3,544,185 A * 12/1970 Lundberg 312/257.1
- D223,373 S * 4/1972 Elvestad D6/440
- 3,881,794 A * 5/1975 Henning 312/257.1

1 Claim, 5 Drawing Sheets



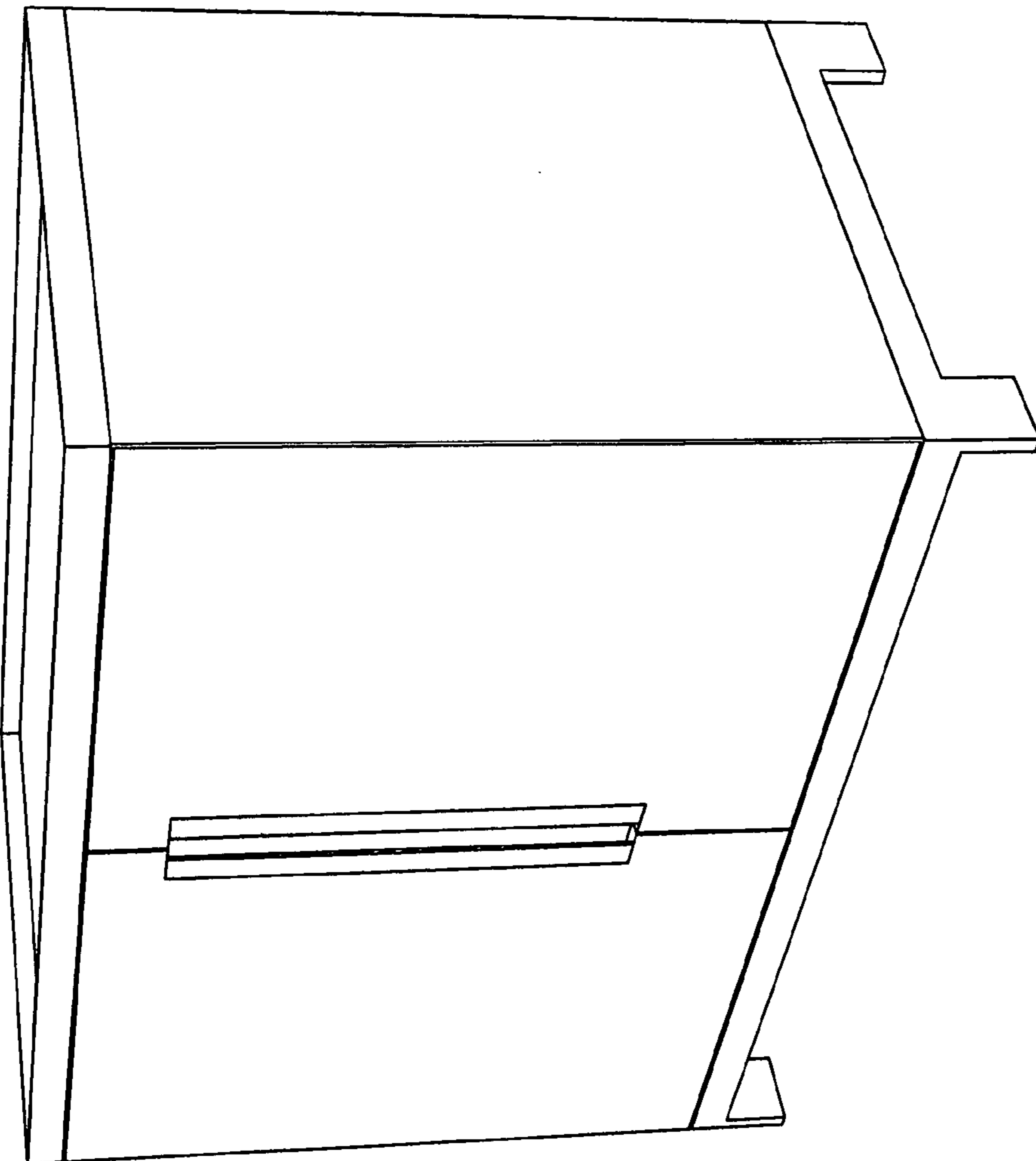


FIG. 1

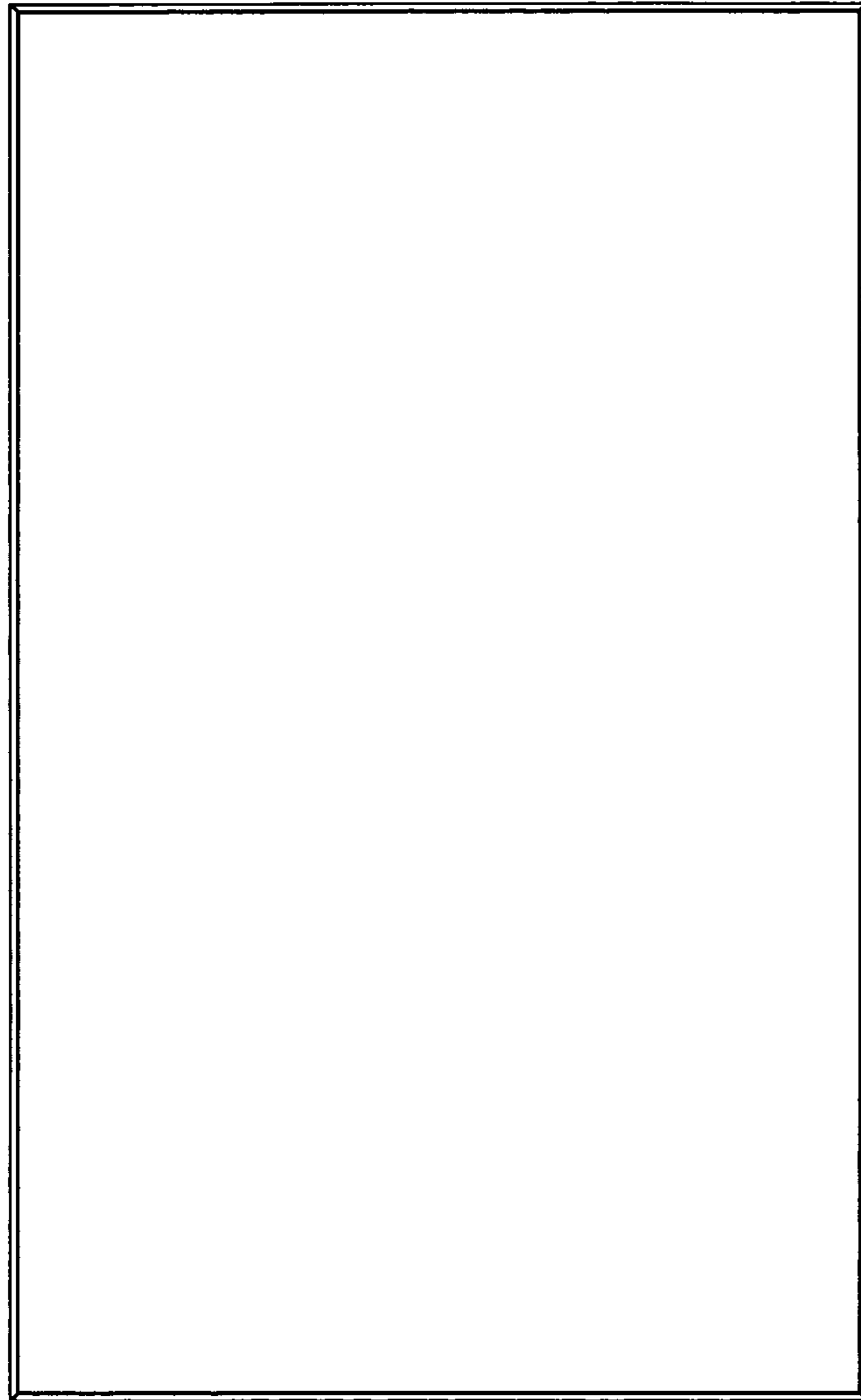


FIG. 2

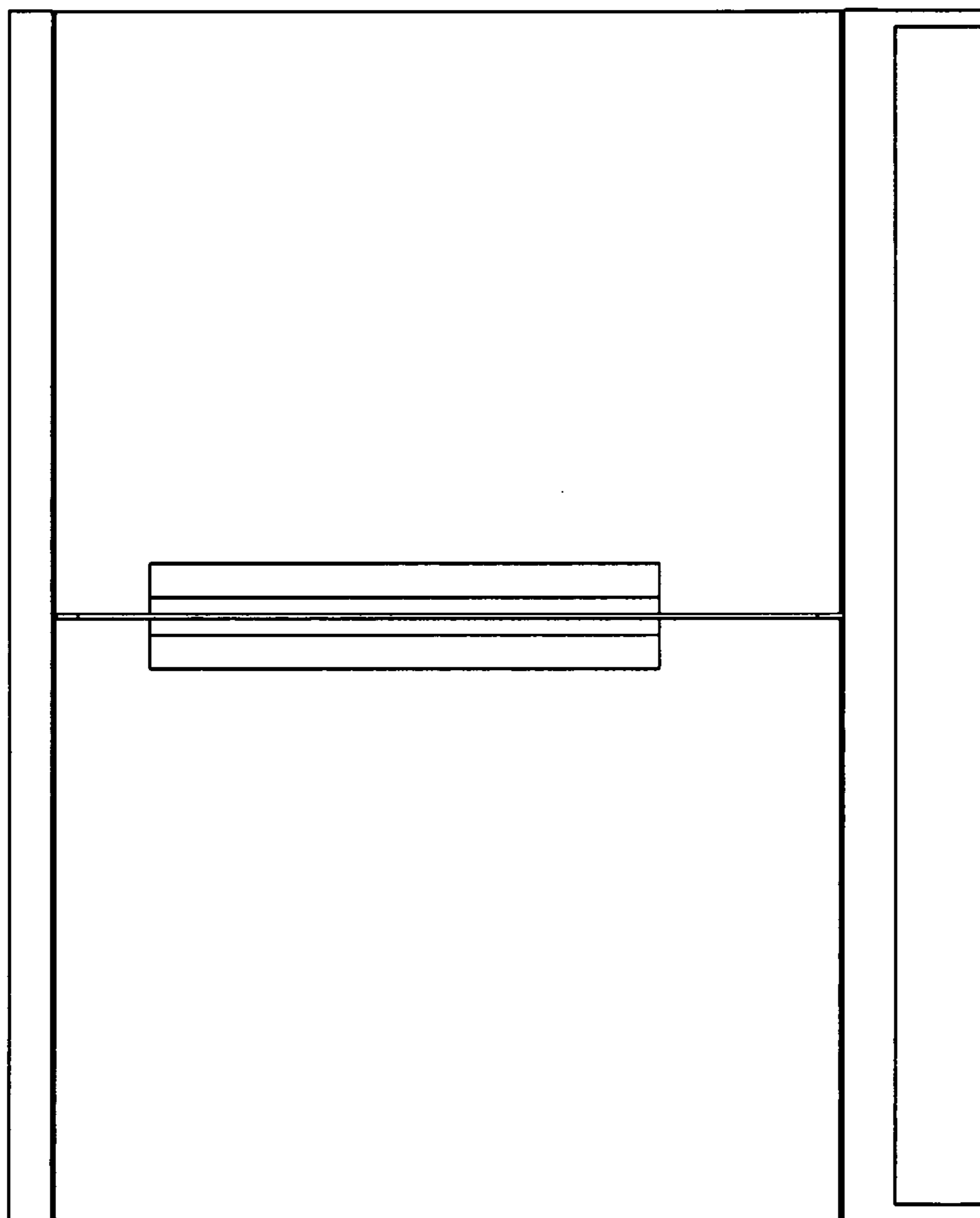


FIG. 3

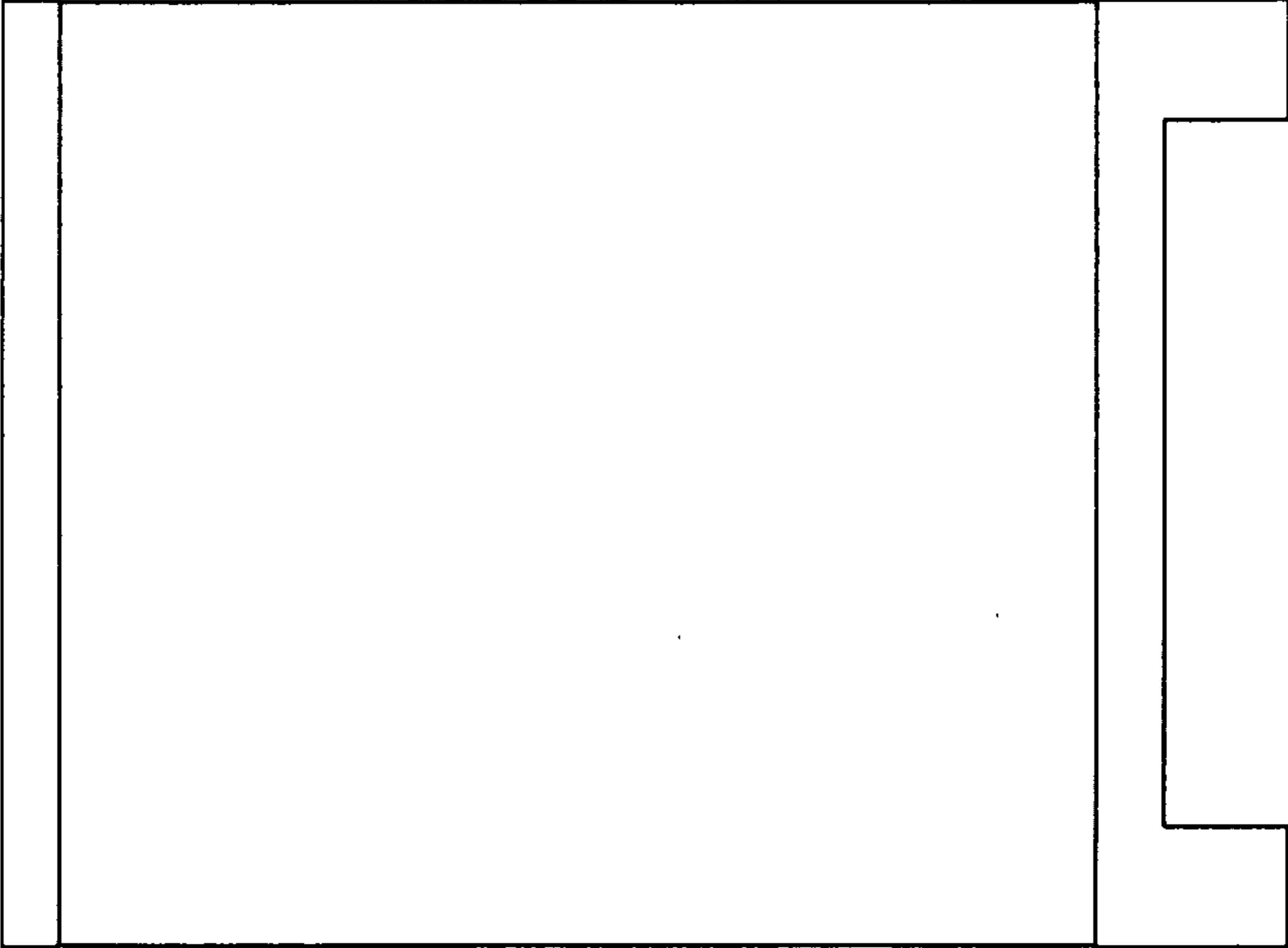


FIG. 4

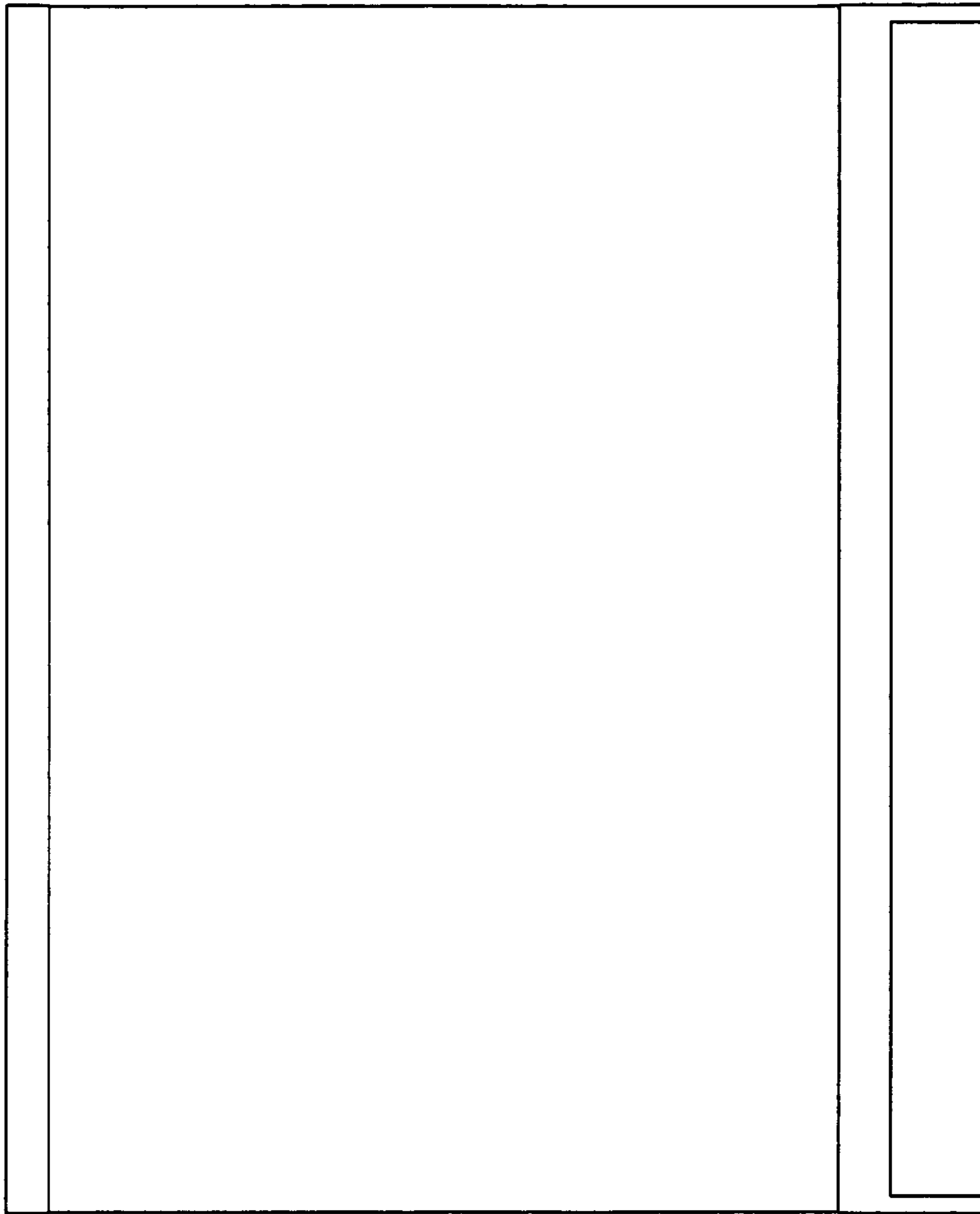


FIG. 5