

US00D599131S

(12) **United States Design Patent**
Brucker et al.

(10) **Patent No.:** **US D599,131 S**
(45) **Date of Patent:** **** Sep. 1, 2009**

(54) **VOTING BOOTH**

2007/0227078 A1 10/2007 McGonagle et al.

(75) Inventors: **Brian Brucker**, Allen, TX (US);
Howard Guy Morter, Cedarburg, WI (US)

OTHER PUBLICATIONS
Pakflatt—Election Solutions, “www.pakflatt.com/html/booths.htm”, et al., Sep. 9, 2008.

* cited by examiner

(73) Assignee: **Premier Election Solutions, Inc.**, Allen, TX (US)

Primary Examiner—Janice E Seeger

(74) *Attorney, Agent, or Firm*—Christopher L. Parmelee; Walker & Jocke

(**) Term: **14 Years**

(21) Appl. No.: **29/324,281**

(57) **CLAIM**

(22) Filed: **Sep. 10, 2008**

The ornamental design for a voting booth, as shown and described.

(51) **LOC (9) Cl.** **06-03**

(52) **U.S. Cl.** **D6/421**

(58) **Field of Classification Search** D6/421–428,
D6/429, 399, 332; 312/194–196, 198; 108/50.01,
108/50.02, 60; 235/51, 50 R; 52/36.1, 36.4
See application file for complete search history.

DESCRIPTION

FIG. 1 is an upper perspective view showing our new design for a voting booth.

FIG. 2 is top plan view thereof.

FIG. 3 is a side plan view thereof, the back side being a mirror image.

FIG. 4 is a front plan view thereof, the back side being a mirror image thereof.

FIG. 5 is a front plan partial cross-sectional view of an upper front portion thereof.

FIG. 6 is a side plan partial cross-sectional view of an upper front portion thereof; and,

FIG. 7 is a bottom plan view thereof.

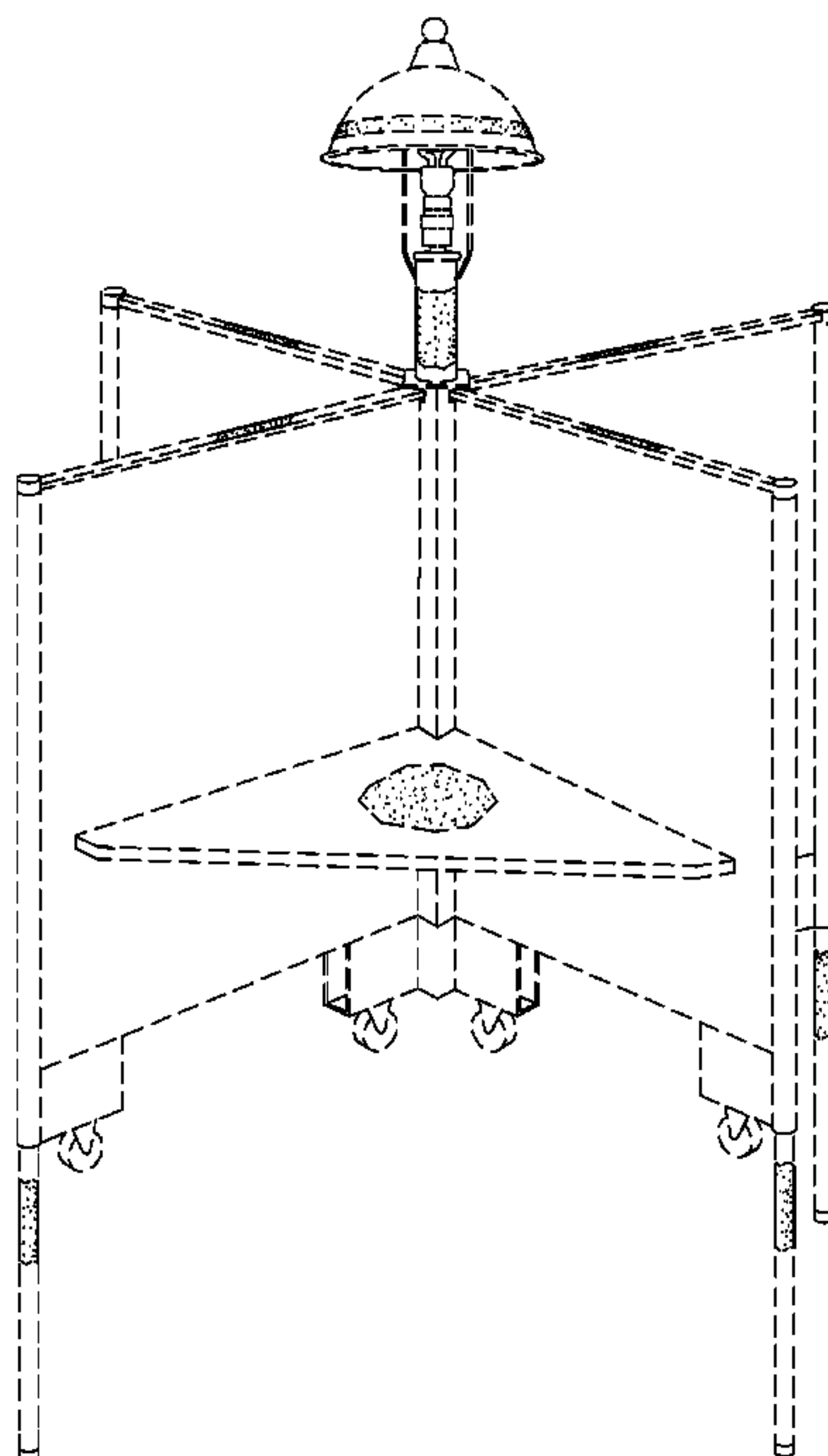
The broken lines adjacent the shaded areas represent the boundaries of the claimed design, while the other broken lines representing the outline of the voting booth are for illustrative purposes only, and form no part of the claimed design.

(56) **References Cited**

U.S. PATENT DOCUMENTS

D185,827 S *	8/1959	Happer	D6/399
D197,652 S *	3/1964	Courtwright	D6/421
D199,399 S *	10/1964	Lewis	D6/421
D247,853 S *	5/1978	Levine	D6/421
D257,605 S *	12/1980	Cyplik	D6/332
D270,505 S *	9/1983	Kent	D6/456
D283,471 S *	4/1986	Kent	D6/421
D319,152 S *	8/1991	Walter	D6/411
D354,407 S *	1/1995	Baloga et al.	D6/421
D362,761 S *	10/1995	Hood	D6/397
D372,811 S *	8/1996	Muller-Deisig et al.	D6/399
5,967,632 A *	10/1999	Lamia	52/36.1

1 Claim, 7 Drawing Sheets



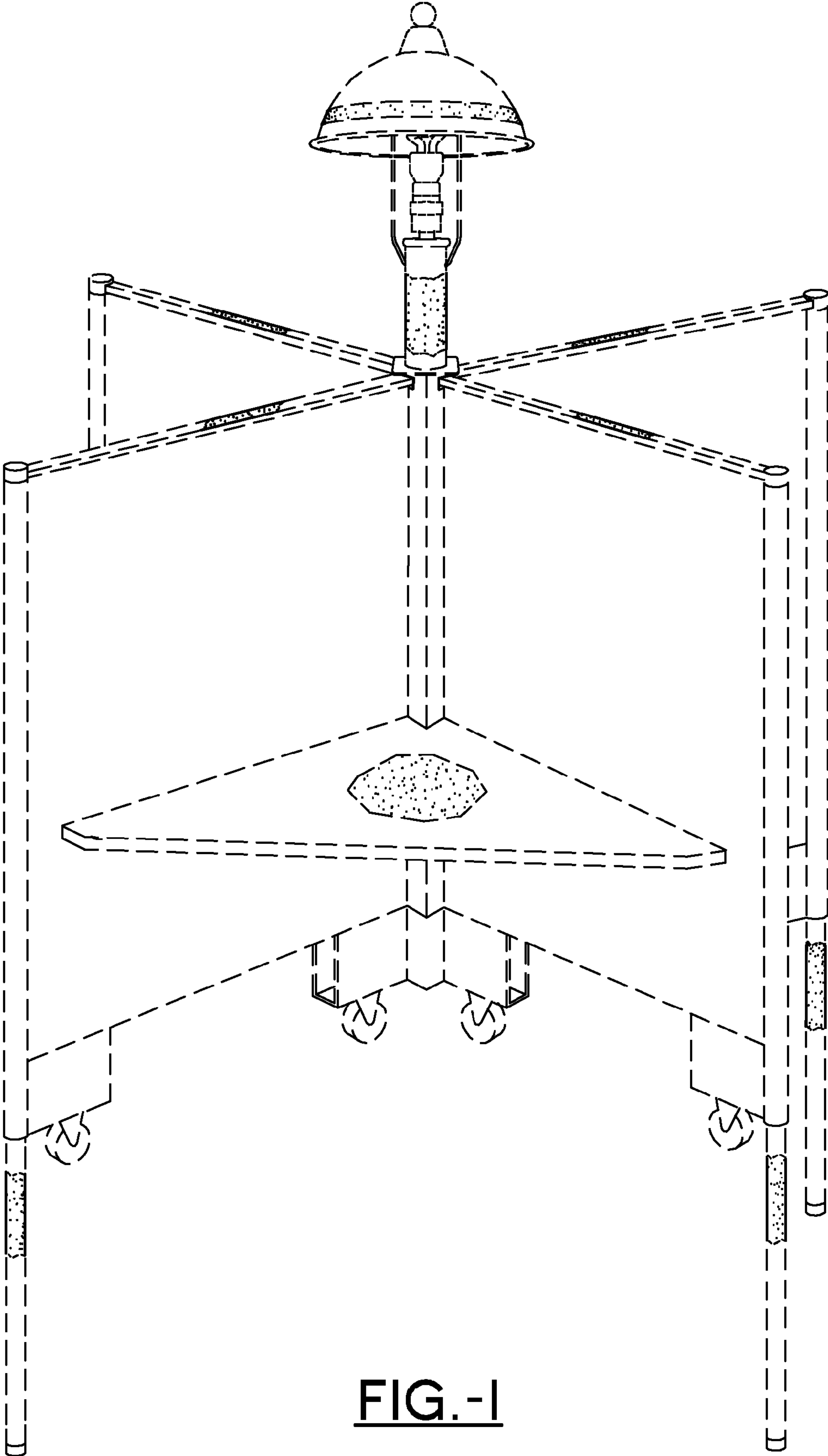


FIG.-1

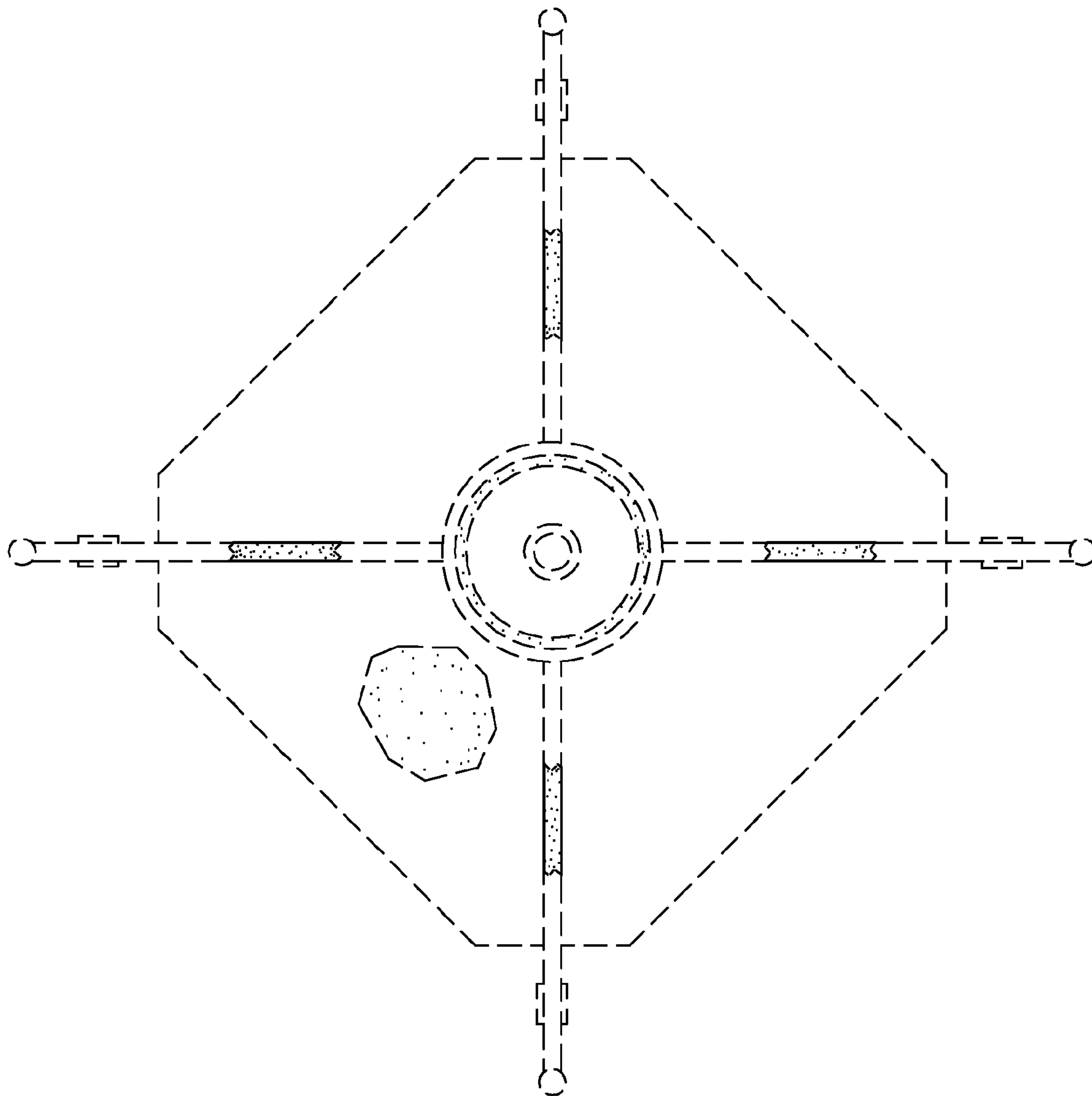


FIG.-2

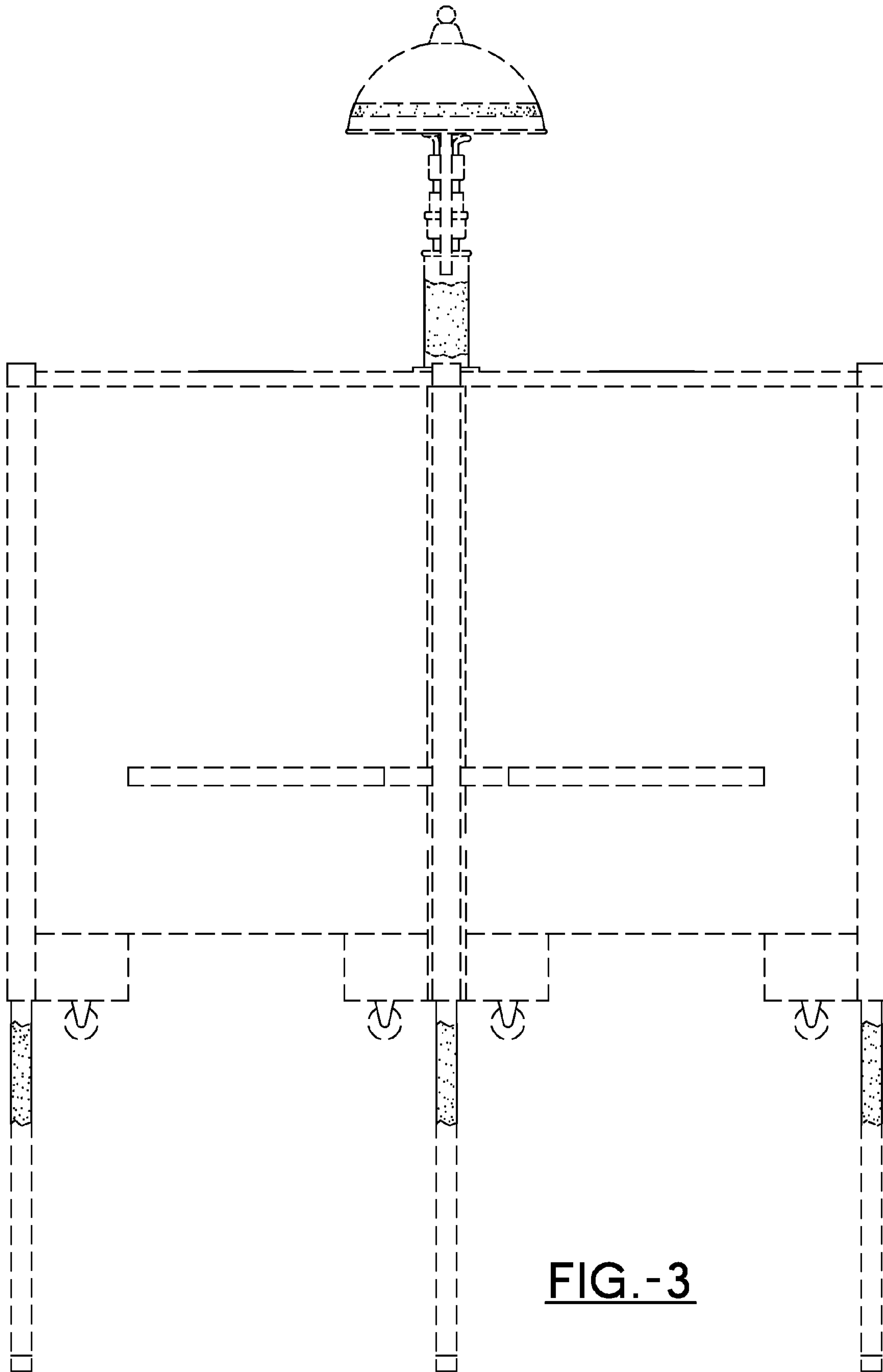


FIG.-3

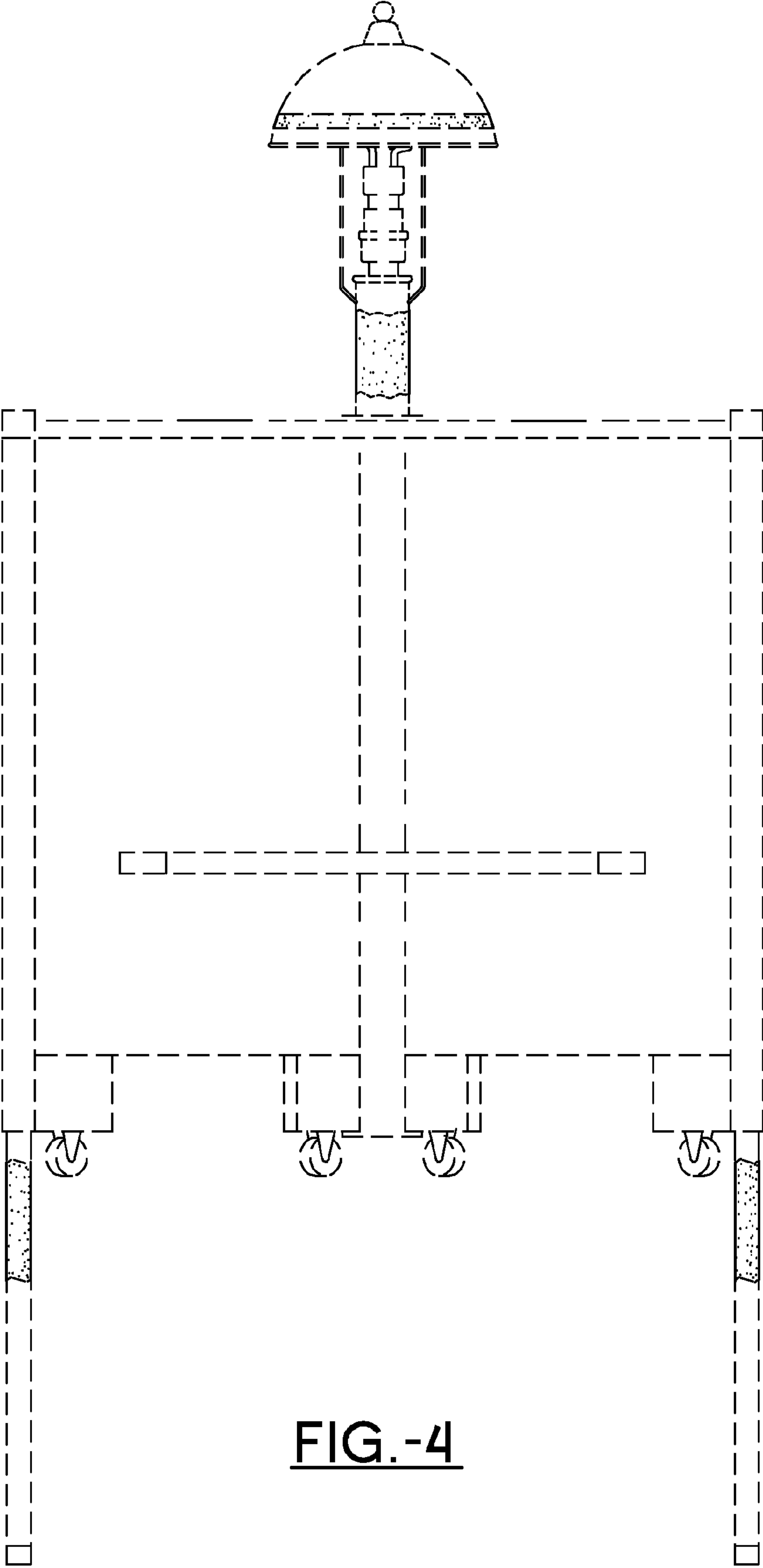


FIG.-4

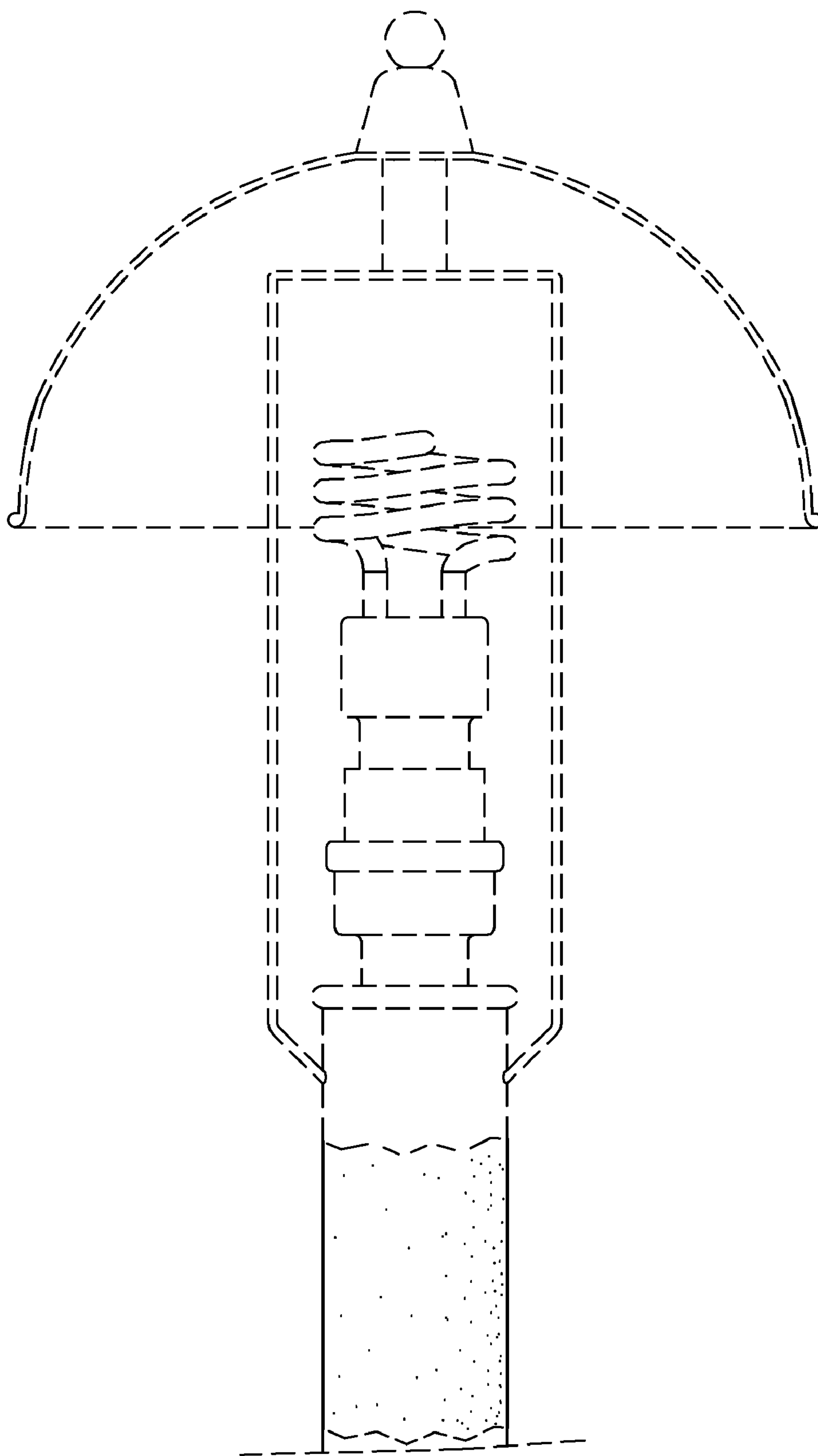


FIG.-5

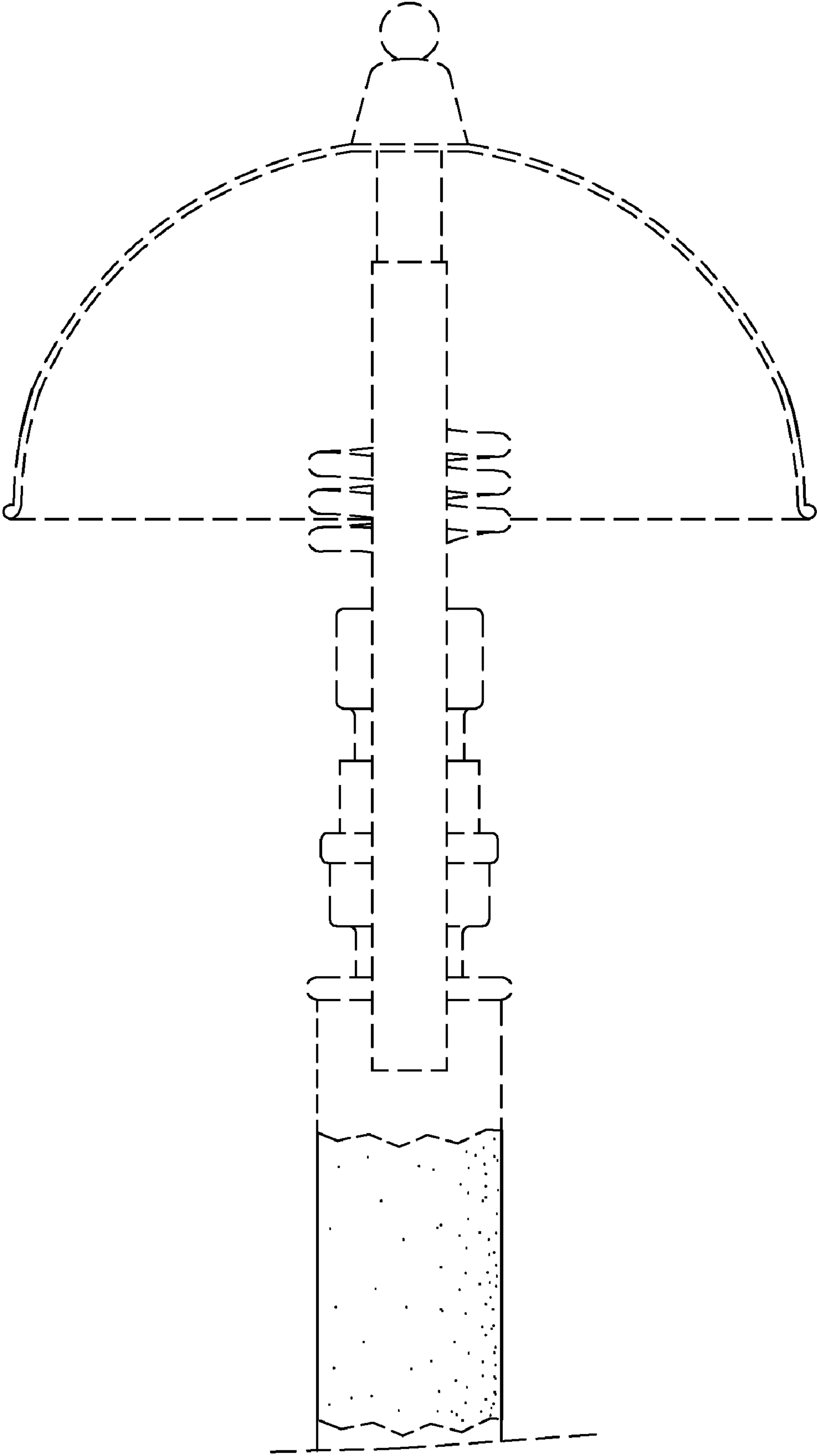


FIG. -6

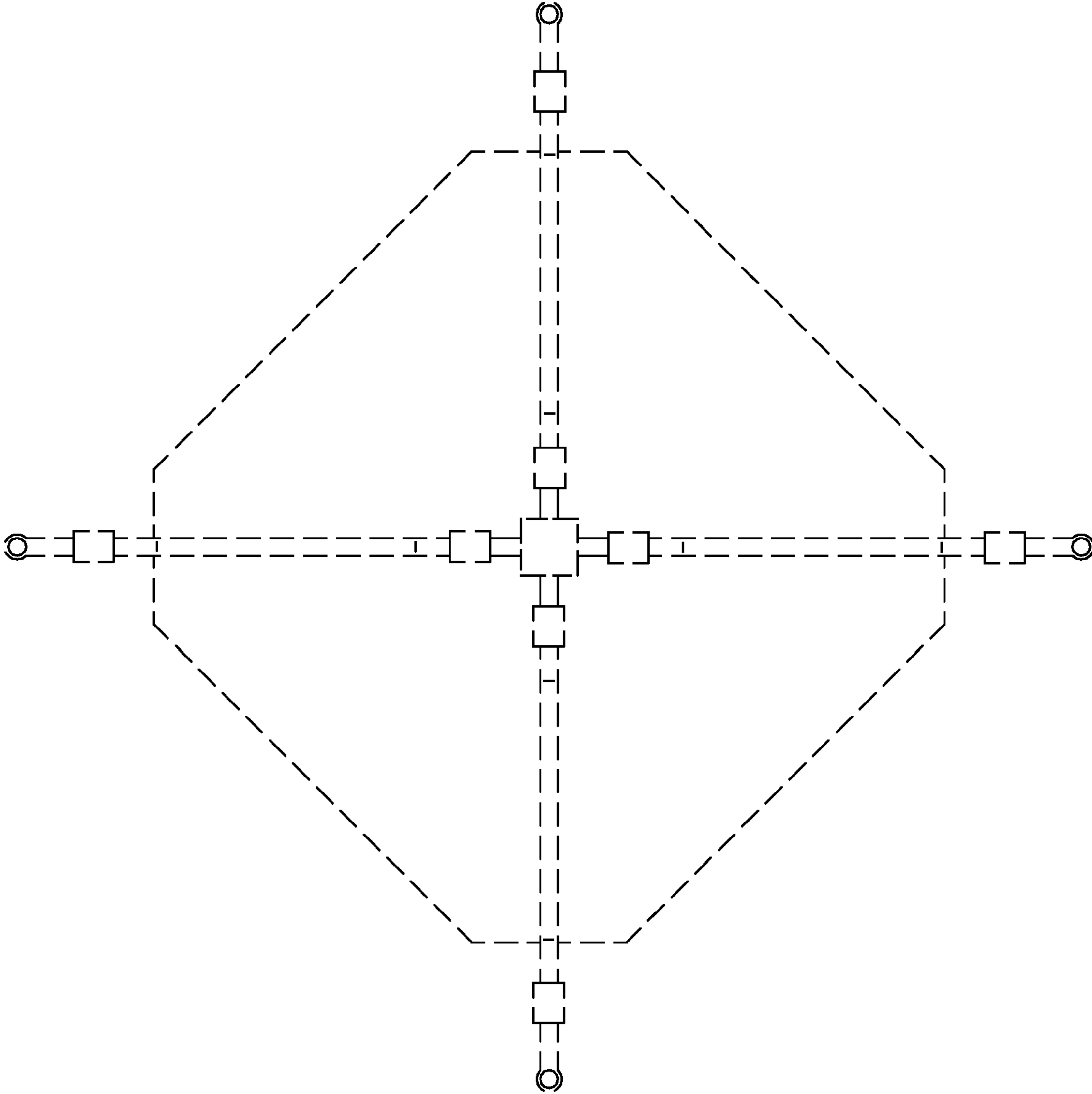


FIG.-7