



(12) **United States Design Patent**
Chen et al.

(10) **Patent No.:** **US D599,126 S**
(45) **Date of Patent:** **** Sep. 1, 2009**

(54) **CHAIR**

(75) Inventors: **Min Chen**, Foshan (CN); **Paolo Bartoli**,
Monza Milano (IT)

(73) Assignee: **Min Chen**, Foshan (CN)

(**) Term: **14 Years**

(21) Appl. No.: **29/334,300**

(22) Filed: **Mar. 24, 2009**

(30) **Foreign Application Priority Data**

Sep. 24, 2008 (CN) 2008 3 0109533

(51) **LOC (9) Cl.** **06-01**

(52) **U.S. Cl.** **D6/366**

(58) **Field of Classification Search** D6/334-336,
D6/360, 364, 365, 366, 367, 374, 375, 379,
D6/380, 498, 500-502; 297/344.12, 411.44,
297/445.1, 452.12, 452.19

See application file for complete search history.

(56) **References Cited**

U.S. PATENT DOCUMENTS

D254,105 S * 2/1980 Hosoe D6/366

D336,722 S * 6/1993 Fahnstrom et al. D6/366

D351,069 S * 10/1994 Orlandini et al. D6/366
D355,303 S * 2/1995 Scheper et al. D6/366
D550,466 S * 9/2007 Molina et al. D6/366
D552,856 S * 10/2007 Chan D6/366
D553,377 S * 10/2007 Chan D6/366
D565,317 S * 4/2008 Molina et al. D6/375
D586,135 S * 2/2009 Lievore D6/366

* cited by examiner

Primary Examiner—Mimosa De

(74) *Attorney, Agent, or Firm*—Connolly Bove Lodge & Hutz
LLP

(57) **CLAIM**

The ornamental designs for a chair, as shown and described.

DESCRIPTION

FIG. 1 is a perspective view of a chair showing the new design;

FIG. 2 is a front elevational view thereof;

FIG. 3 is a rear elevational view thereof;

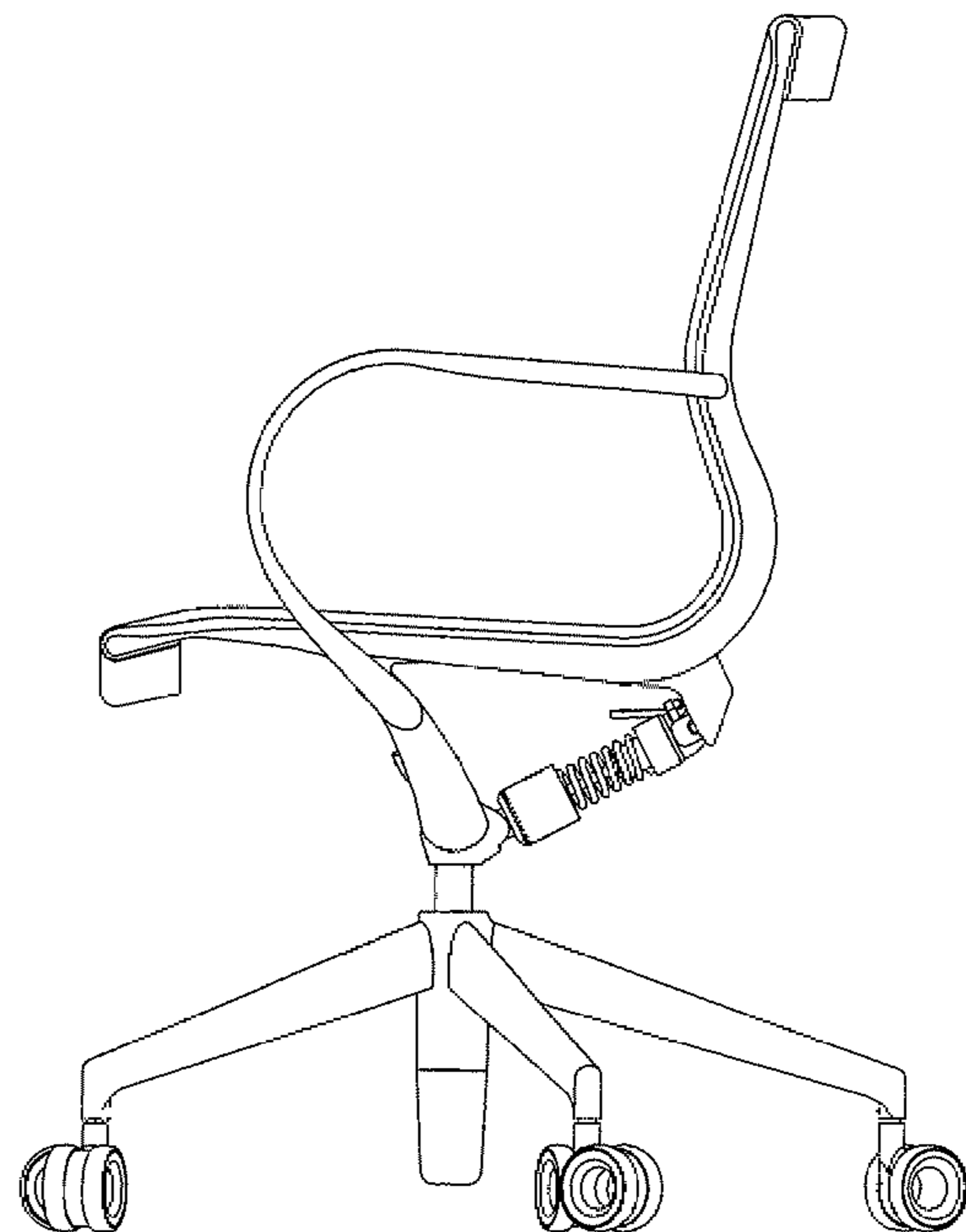
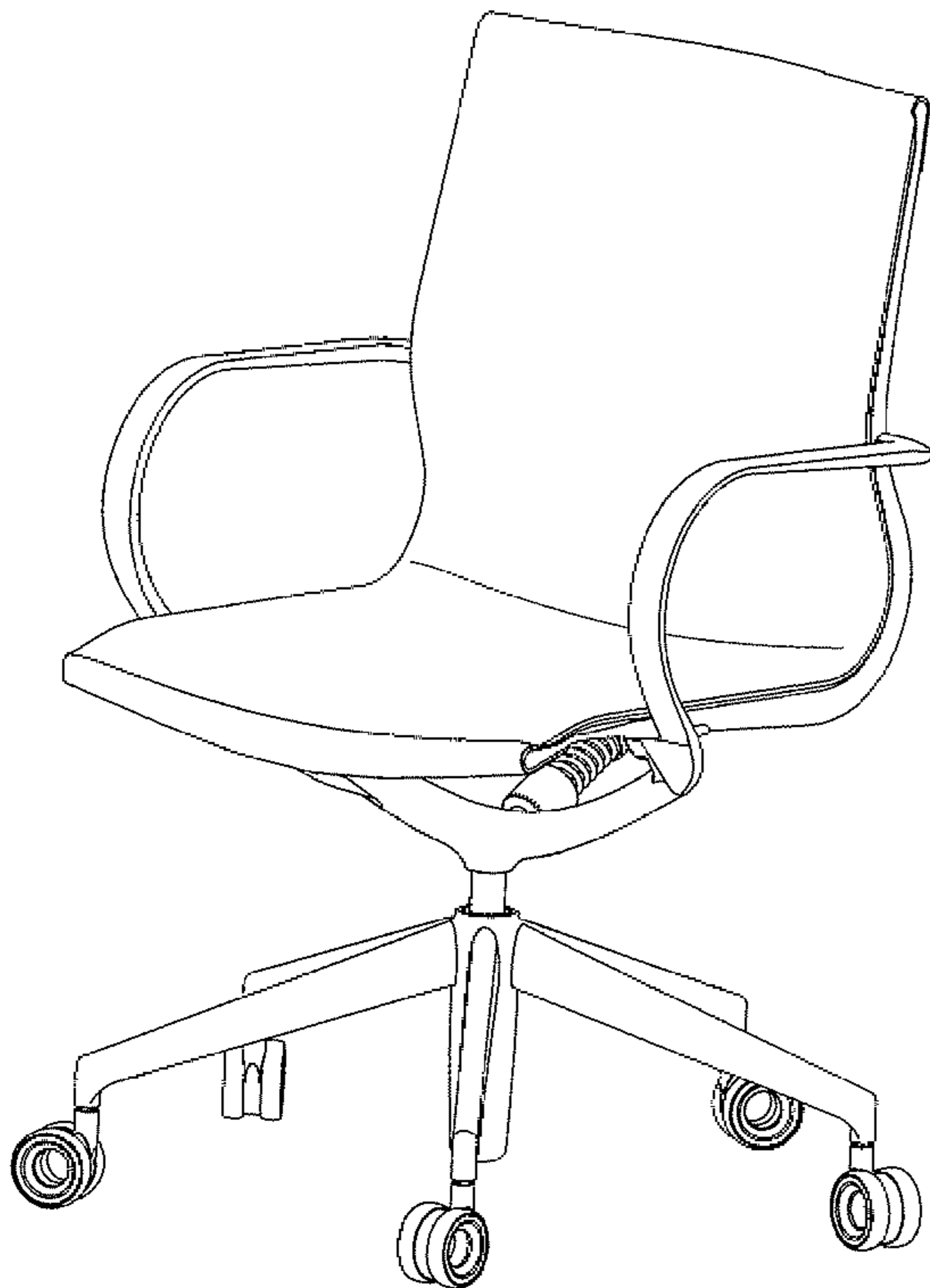
FIG. 4 is a right side elevational view thereof;

FIG. 5 is a left side elevational view thereof;

FIG. 6 is a top plan view thereof; and,

FIG. 7 is a bottom plan view thereof.

1 Claim, 7 Drawing Sheets



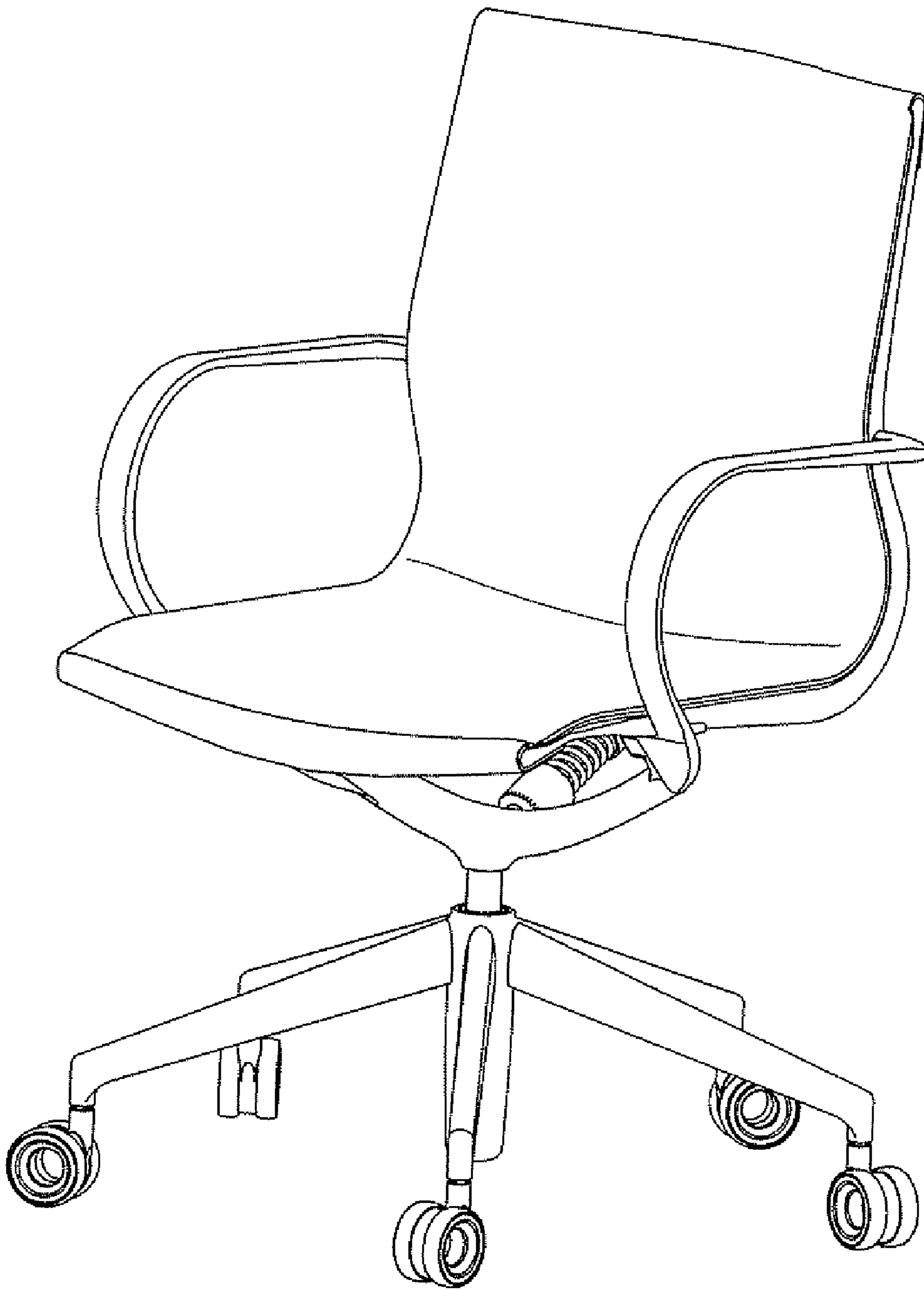


FIG. 1

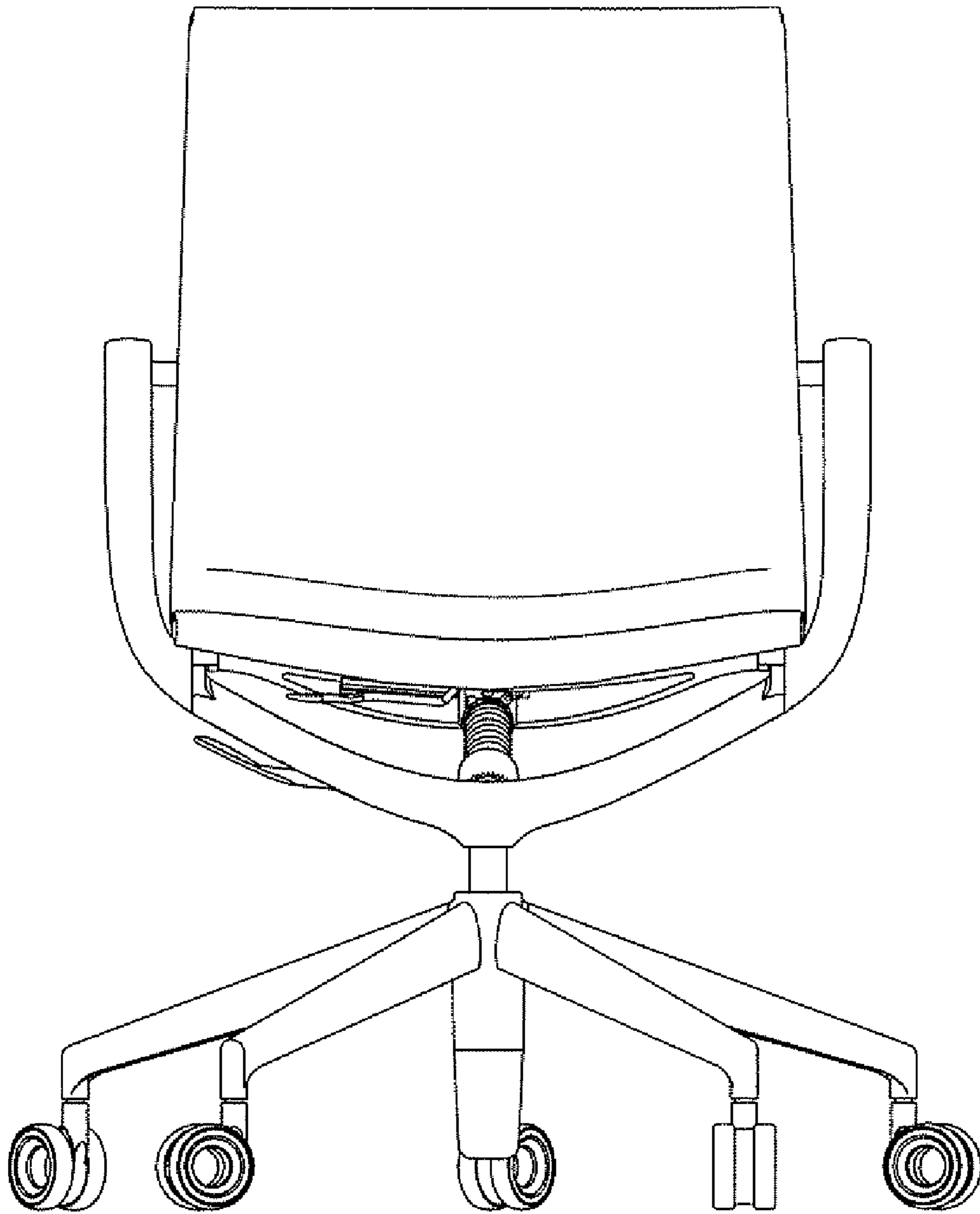


FIG.2

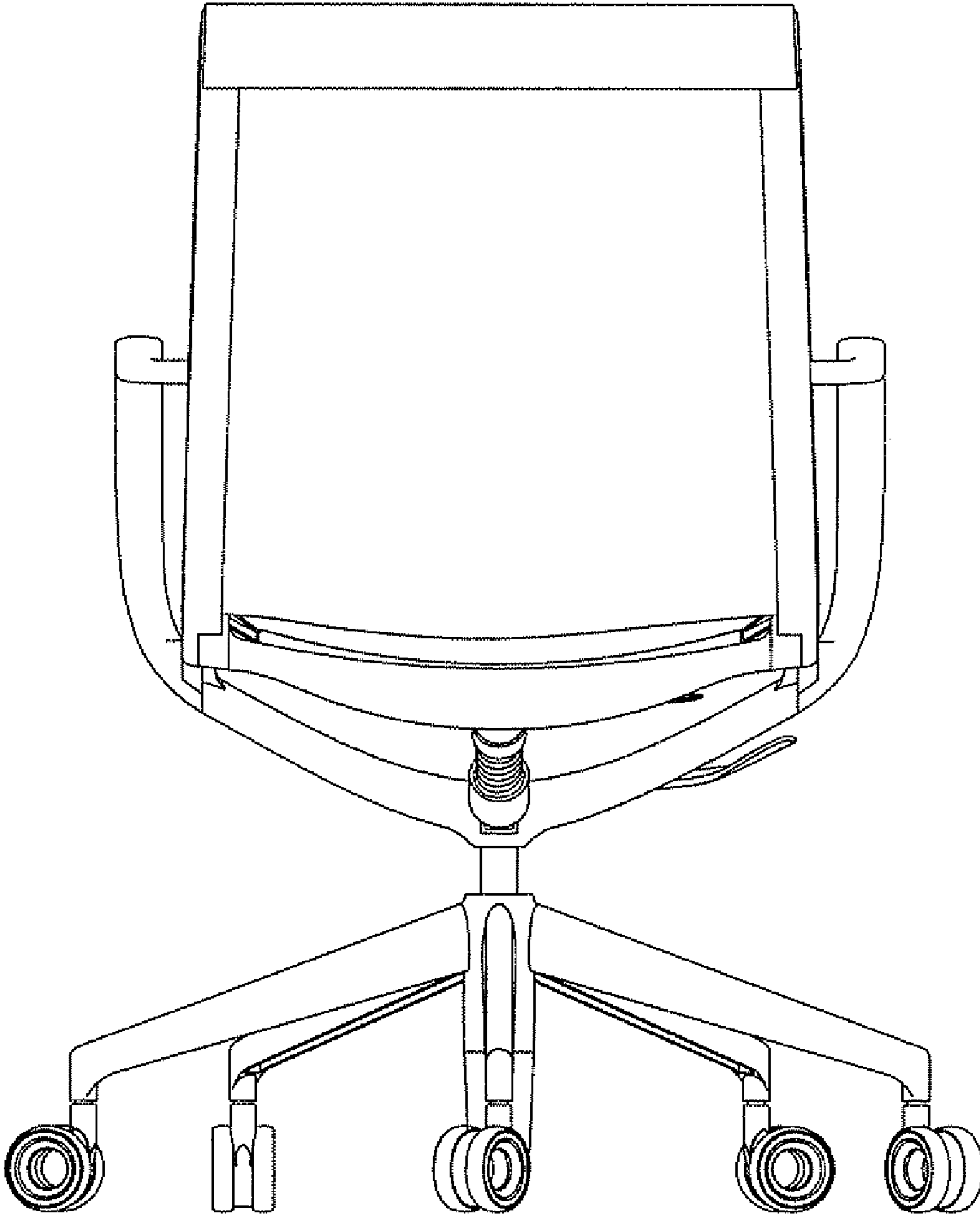


FIG.3

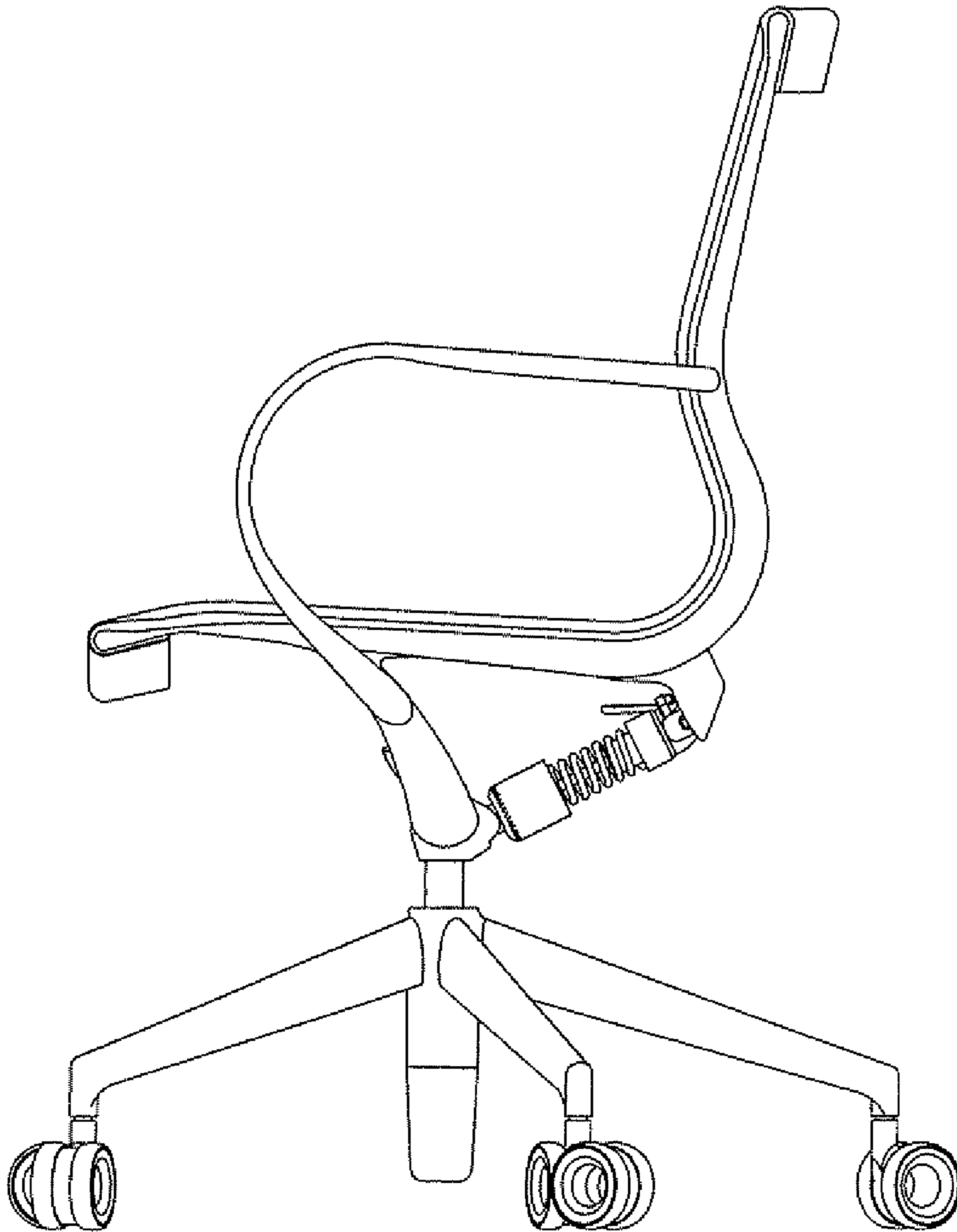


FIG.4

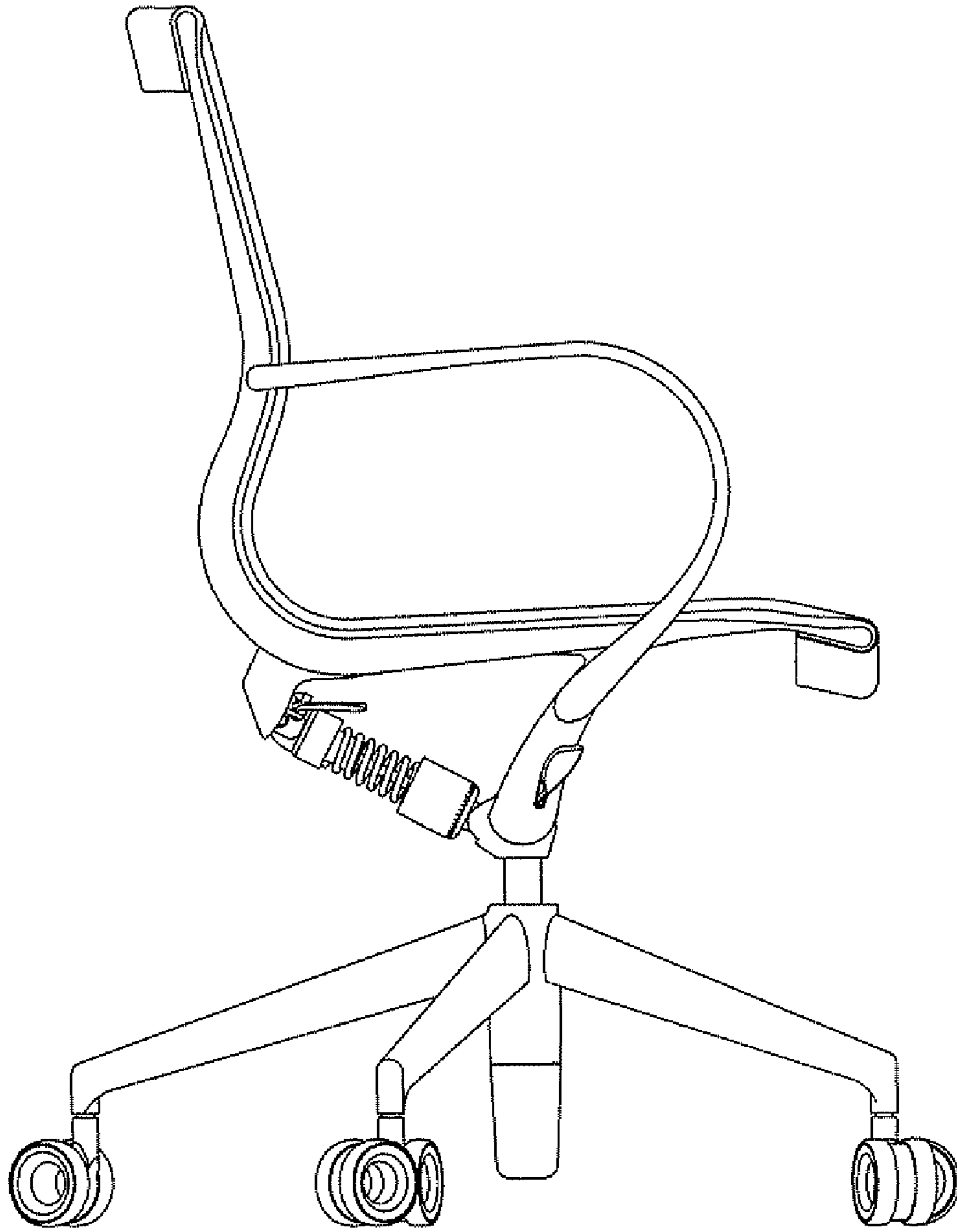


FIG.5

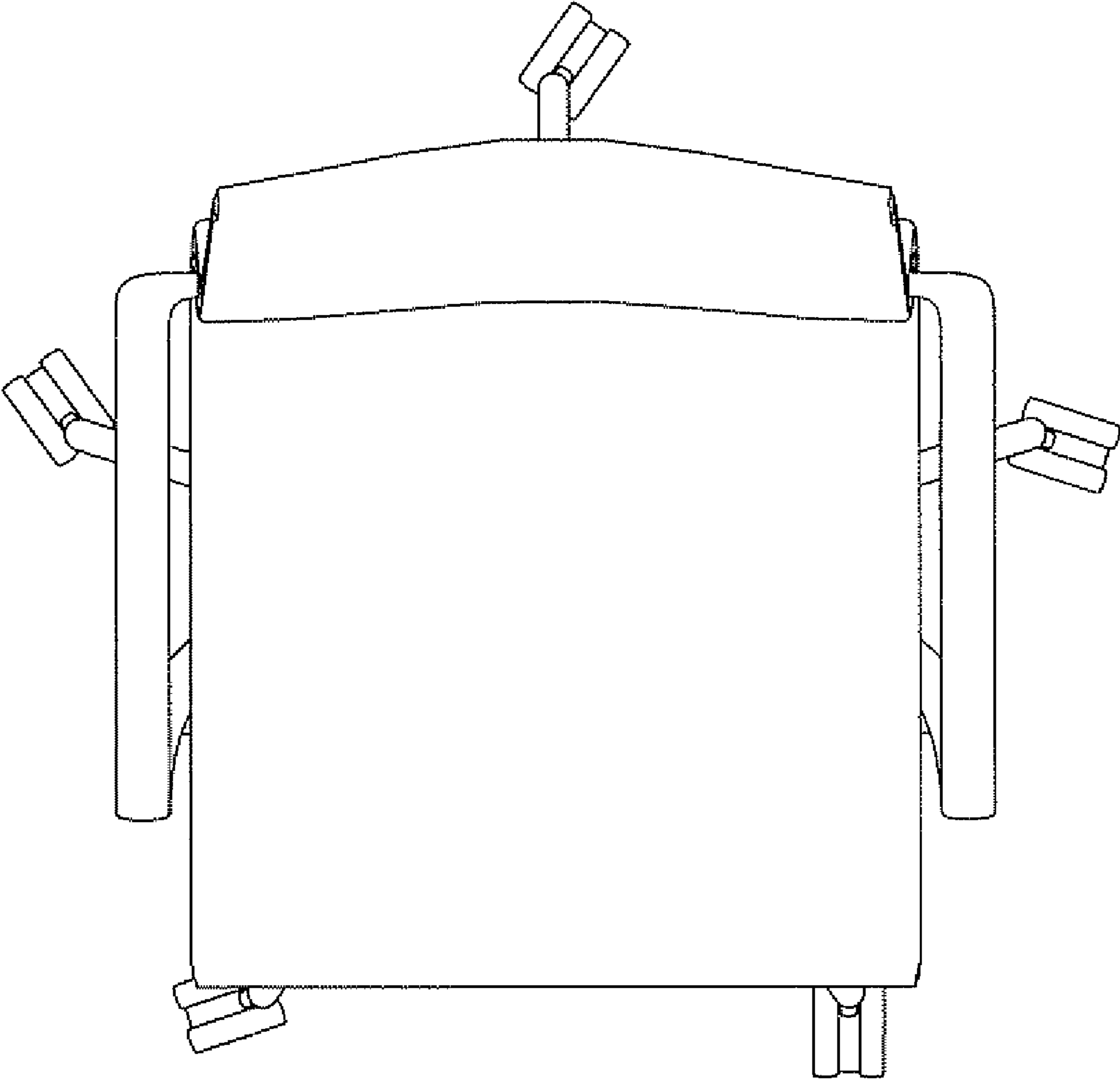


FIG.6

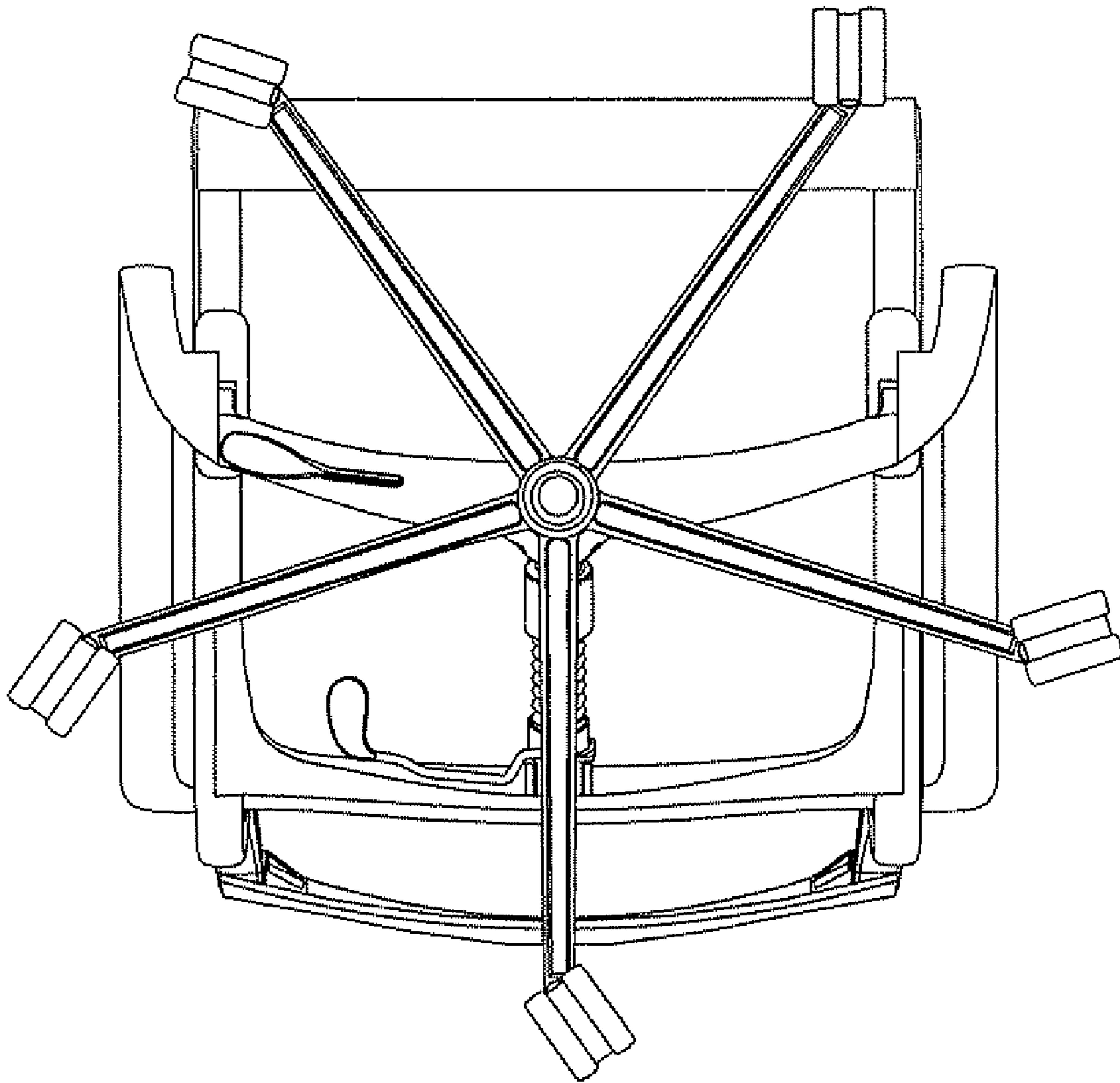


FIG. 7