



US00D599125S

(12) **United States Design Patent**
Piretti

(10) **Patent No.:** **US D599,125 S**

(45) **Date of Patent:** **** Sep. 1, 2009**

(54) **TASK CHAIR**

D568,625 S * 5/2008 Klaasen et al. D6/366
D590,613 S * 4/2009 Ueda D6/366

(75) Inventor: **Giancarlo Piretti**, Bologna (IT)

* cited by examiner

(73) Assignee: **Pro-Cord S.p.A.**, Bologna (IT)

Primary Examiner—Caron Veynar

(**) Term: **14 Years**

Assistant Examiner—Abraham Bahta

(21) Appl. No.: **29/319,137**

(74) *Attorney, Agent, or Firm*—Andrus, Scealer, Starke & Sawall, LLP

(22) Filed: **Jun. 4, 2008**

(57) **CLAIM**

(51) **LOC (9) Cl.** **06-01**

The ornamental design of a task chair, as shown and described.

(52) **U.S. Cl.** **D6/366**

(58) **Field of Classification Search** D6/366,
D6/364–365, 374–375, 367–368, 334–336,
D6/379, 498; 297/284.4, 452.21, 452.29,
297/452.48, 452.32, 452.26, 452.35, 463.1,
297/451.1, 411.2, 448.2

See application file for complete search history.

DESCRIPTION

(56) **References Cited**

U.S. PATENT DOCUMENTS

D309,384 S *	7/1990	Buhk	D6/366
5,035,466 A	7/1991	Mathews et al.		
5,580,127 A	12/1996	Piretti		
D410,808 S	6/1999	Baumann et al.		
D416,407 S	11/1999	Baumann et al.		
D459,903 S *	7/2002	Lo	D6/366
D472,409 S	4/2003	Lind		
D501,612 S *	2/2005	Koch et al.	D6/366
D509,671 S *	9/2005	Olson et al.	D6/366
D513,902 S	1/2006	Piretti		
D515,855 S *	2/2006	Goodworth	D6/500
D520,254 S *	5/2006	Kinoshita	D6/366
D520,764 S *	5/2006	Kinoshita et al.	D6/366
D549,975 S *	9/2007	Fancelli	D6/366
D554,878 S *	11/2007	Collinson	D6/366

FIG. 1 is a right side elevation view of a first embodiment of a task chair showing my new design wherein the left side elevation view is a mirror image thereof;

FIG. 2 is a front elevation view thereof;

FIG. 3 is a top plan view thereof;

FIG. 4 is a rear elevation view thereof;

FIG. 5 is a bottom plan view thereof;

FIG. 6 is a right side elevation view of a second embodiment of the task chair, the left side elevation view being a mirror image thereof;

FIG. 7 is a front elevation view thereof;

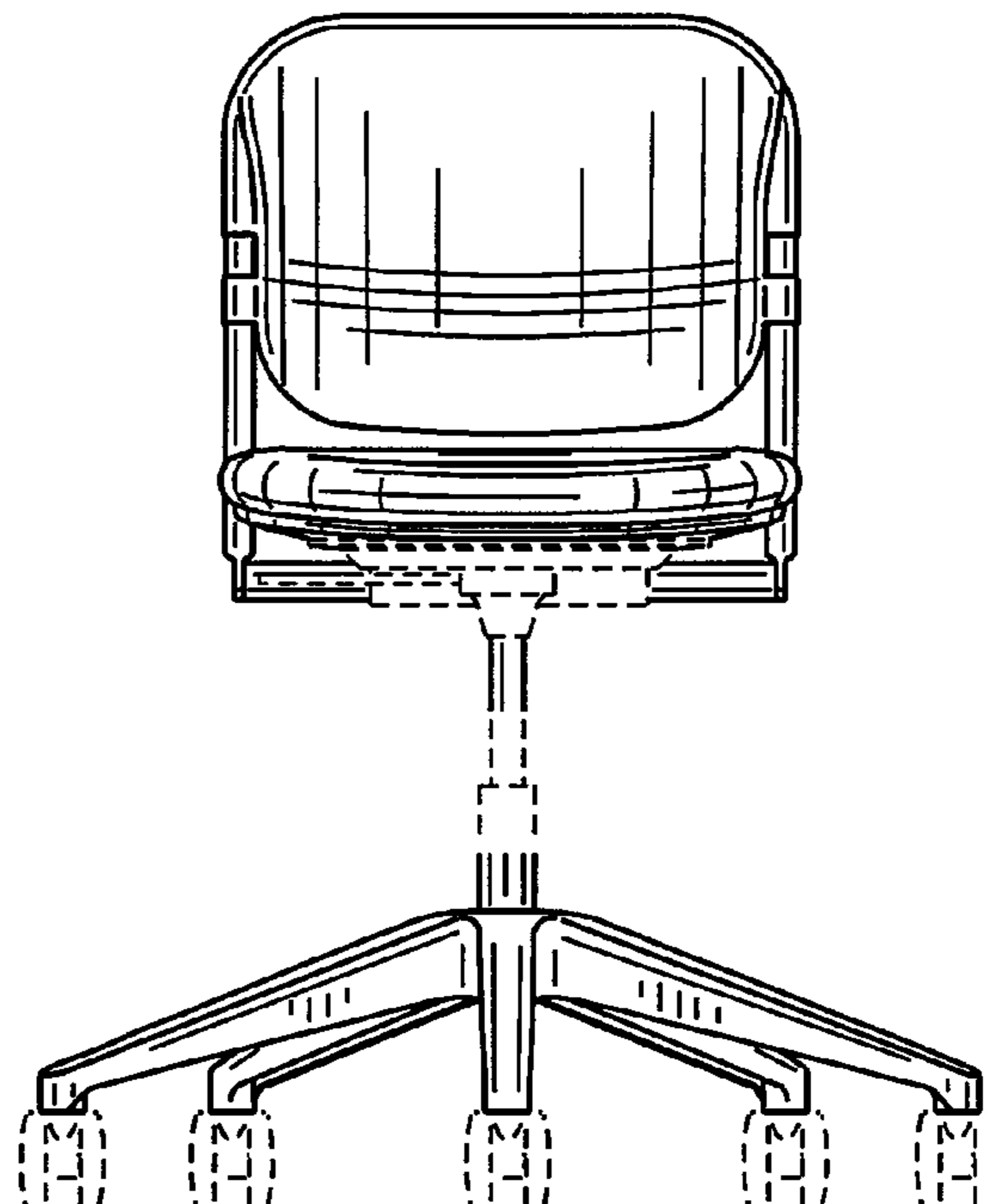
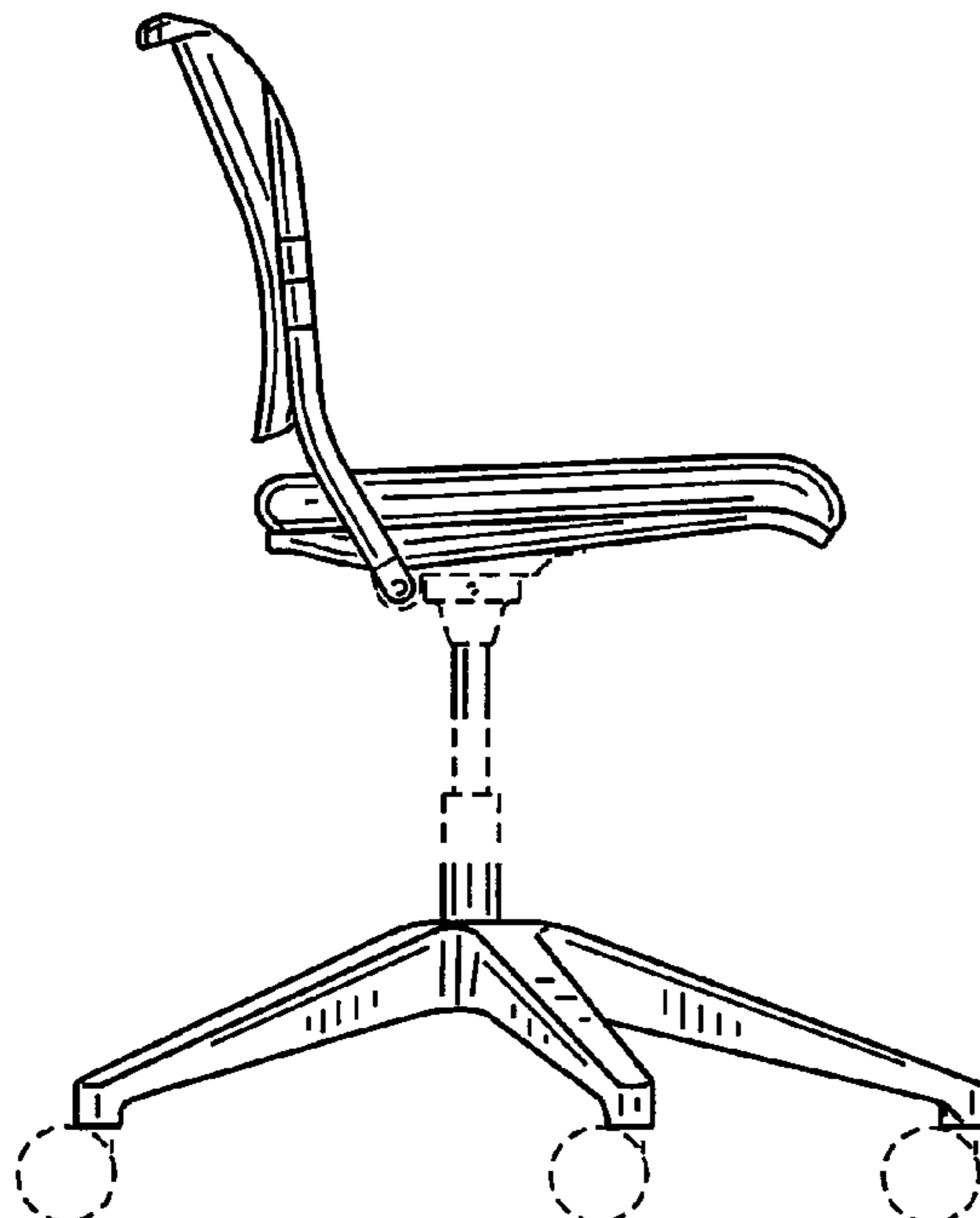
FIG. 8 is a top plan view thereof;

FIG. 9 is a rear elevation view thereof; and,

FIG. 10 is a bottom plan view thereof.

The broken lines shown in the drawings are for illustrative purposes only and form no part of the claimed design.

1 Claim, 6 Drawing Sheets



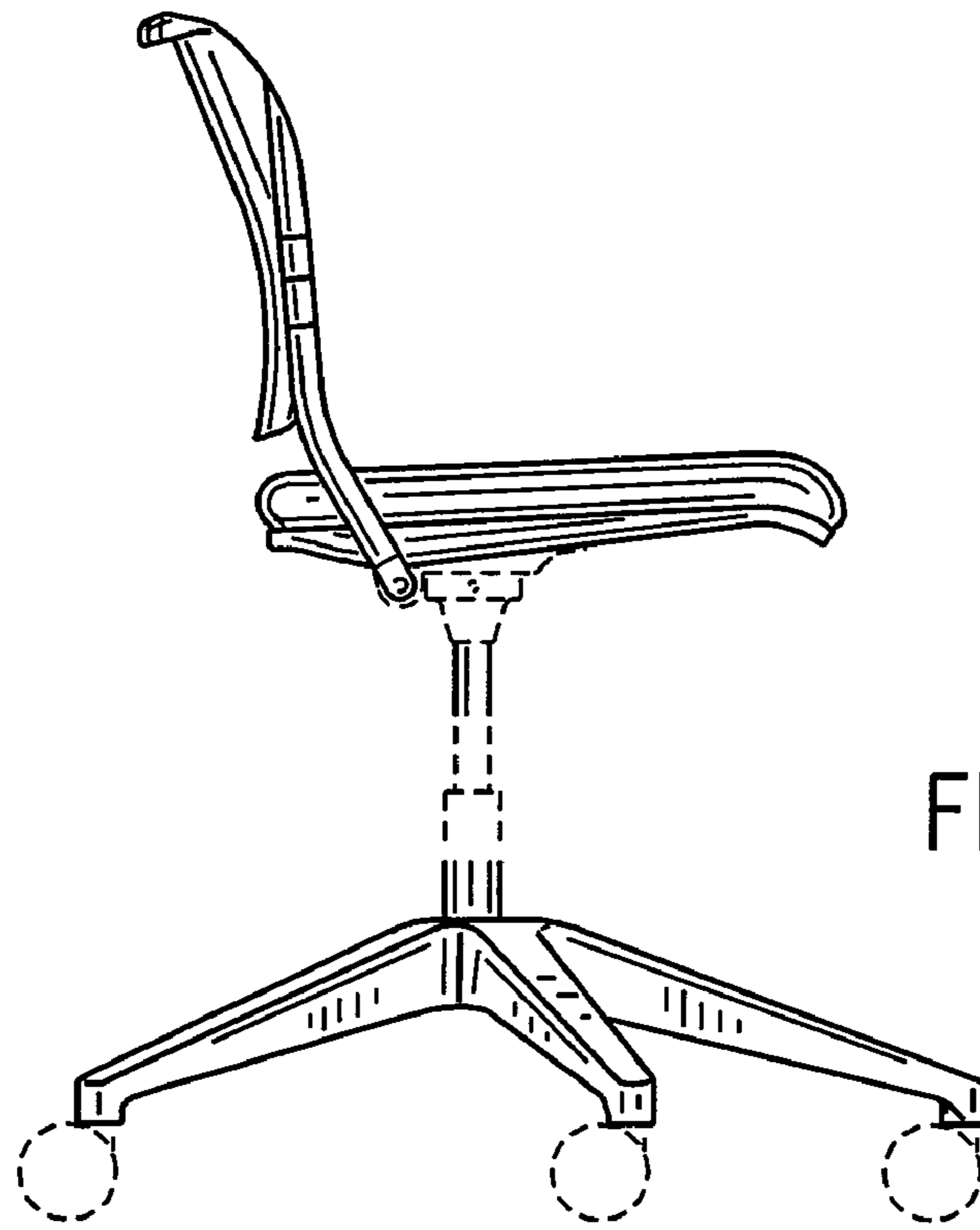


FIG. 1

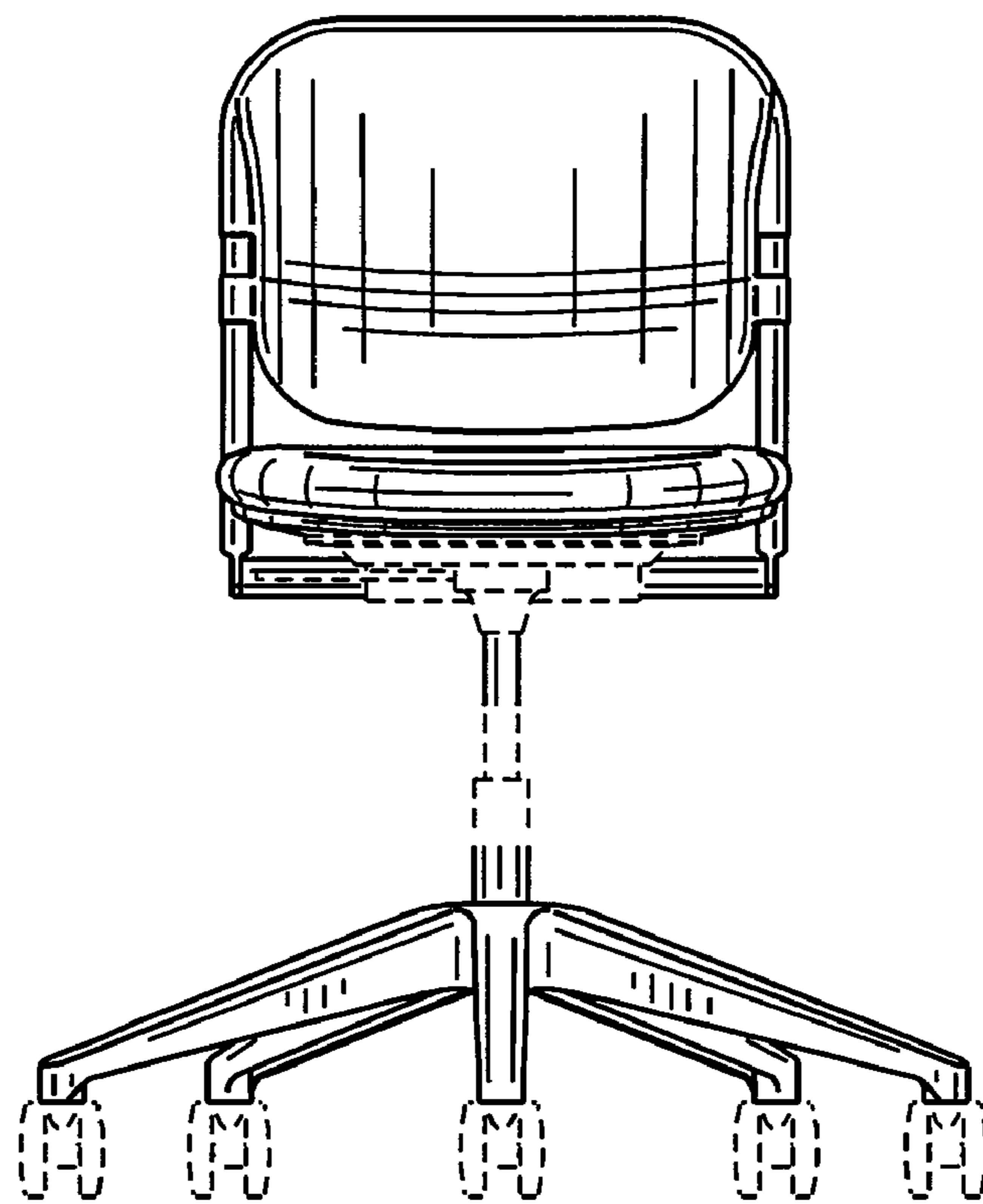


FIG. 2

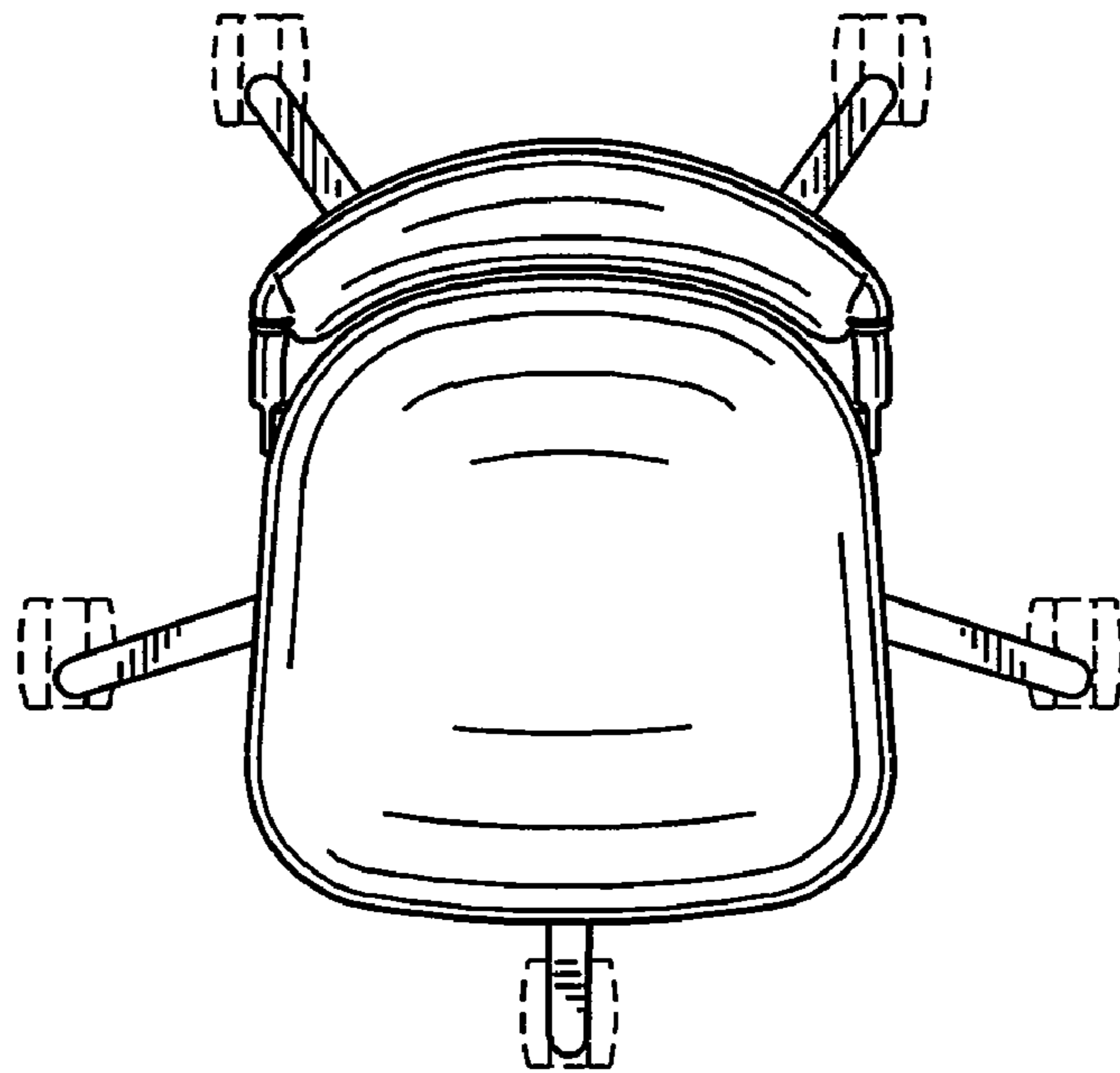


FIG. 3

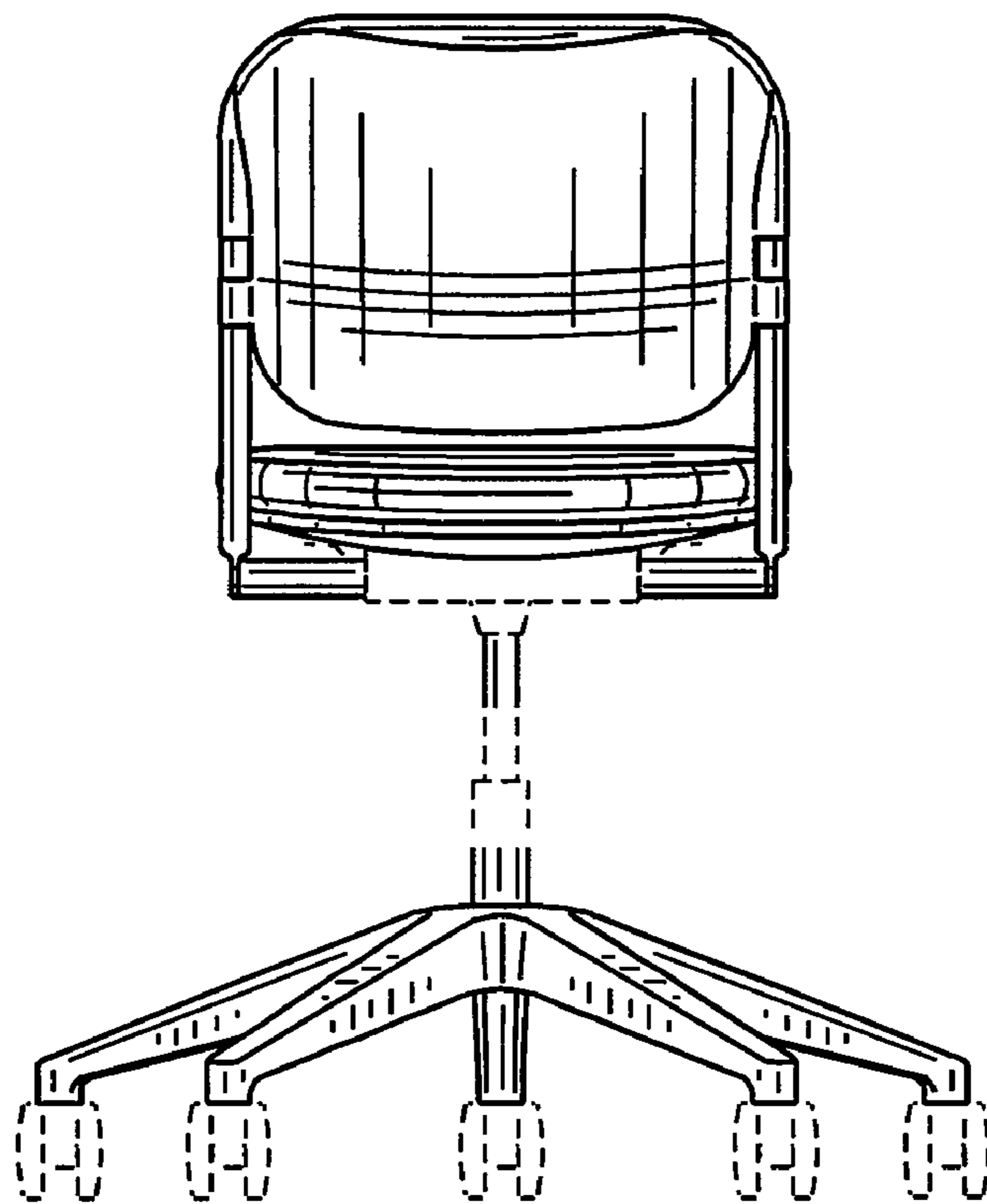


FIG. 4

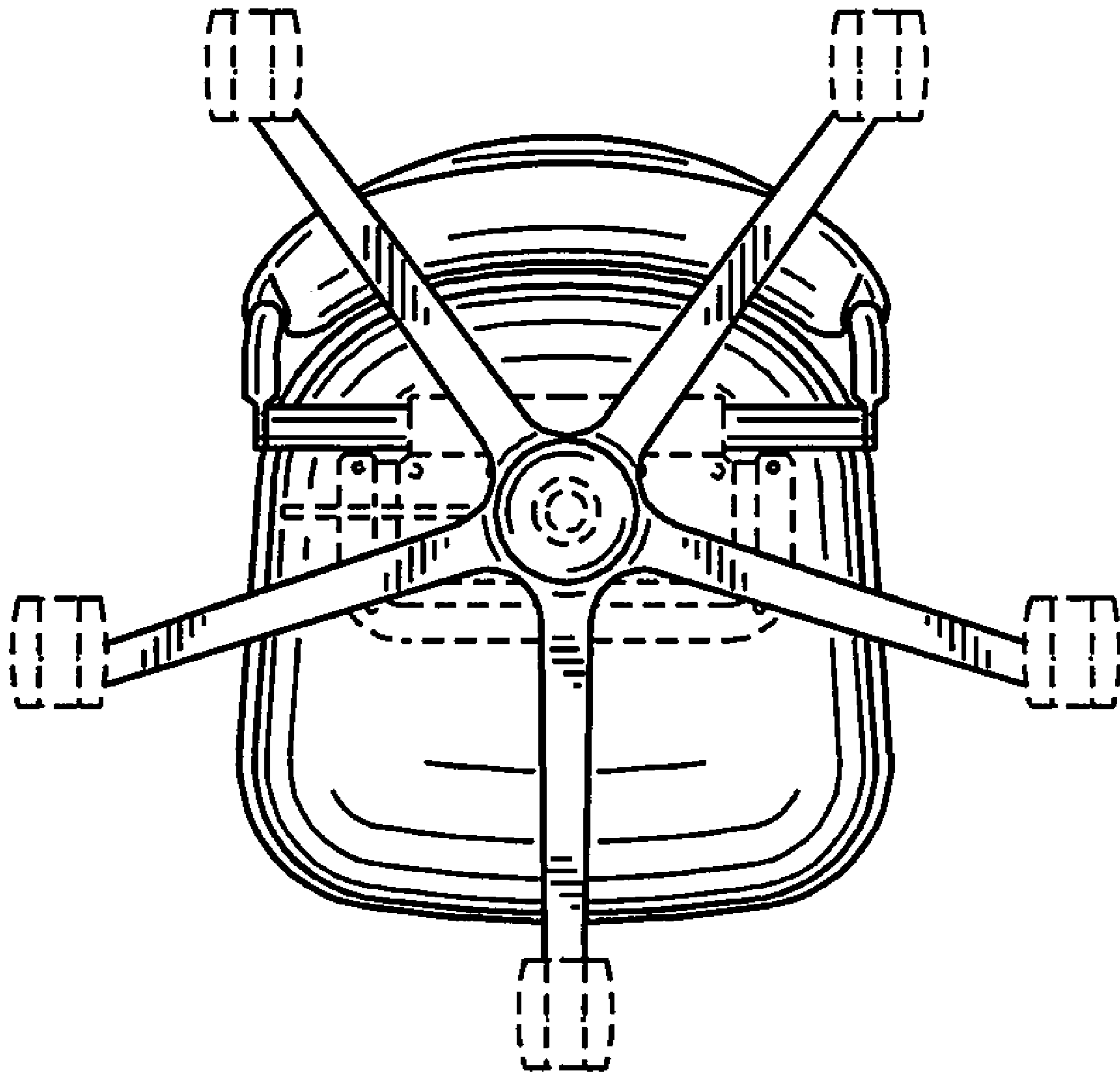


FIG. 5

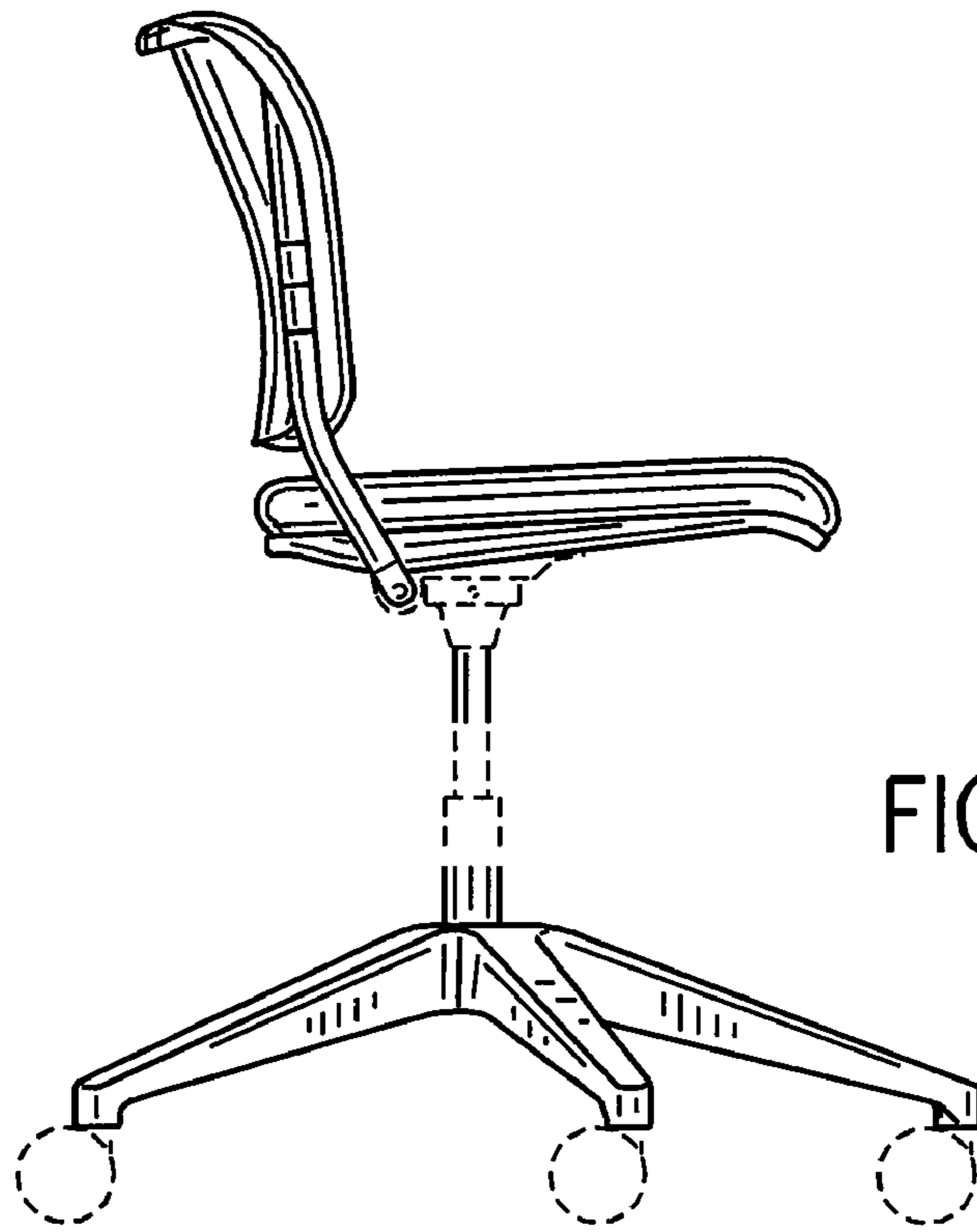


FIG. 6

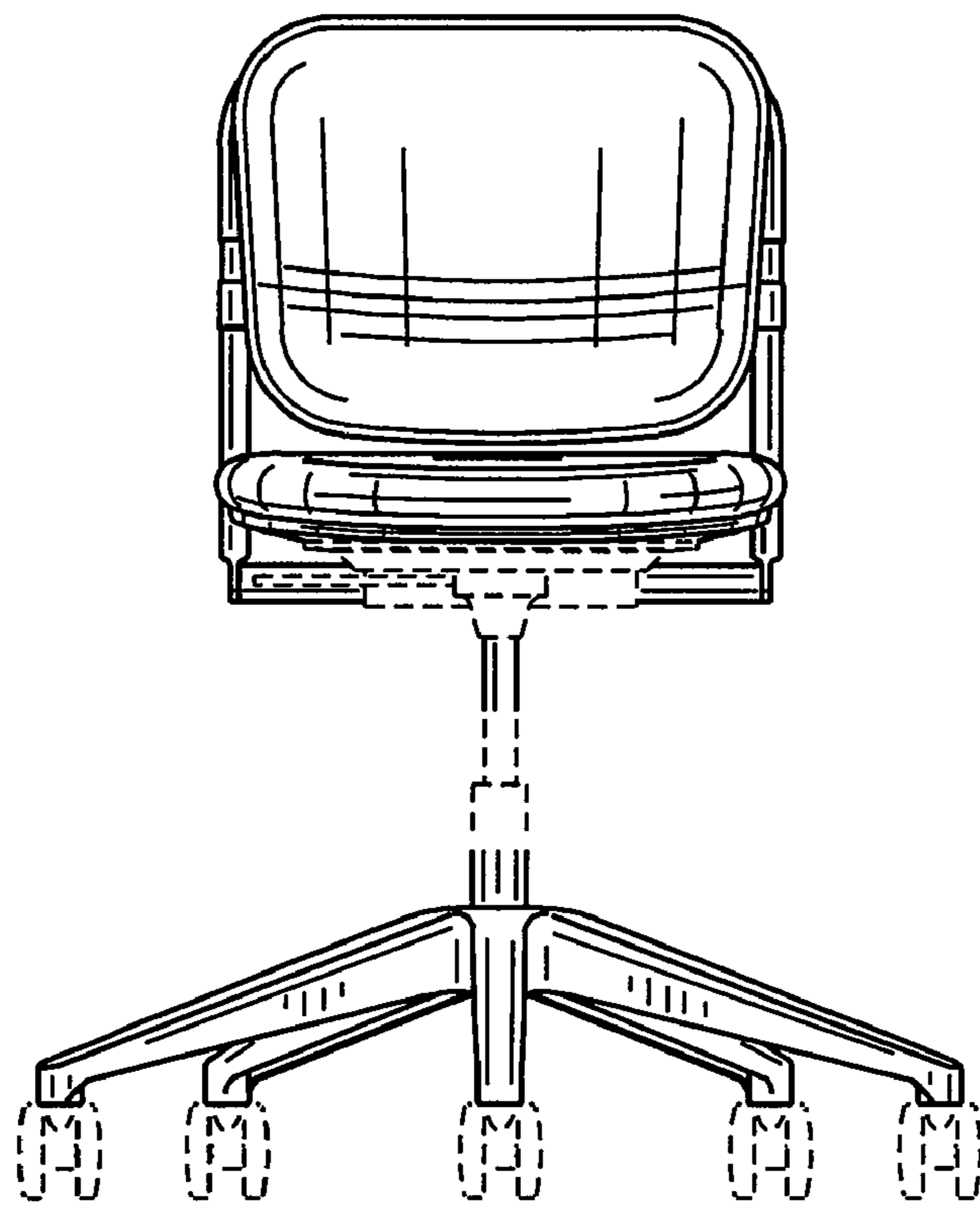


FIG. 7

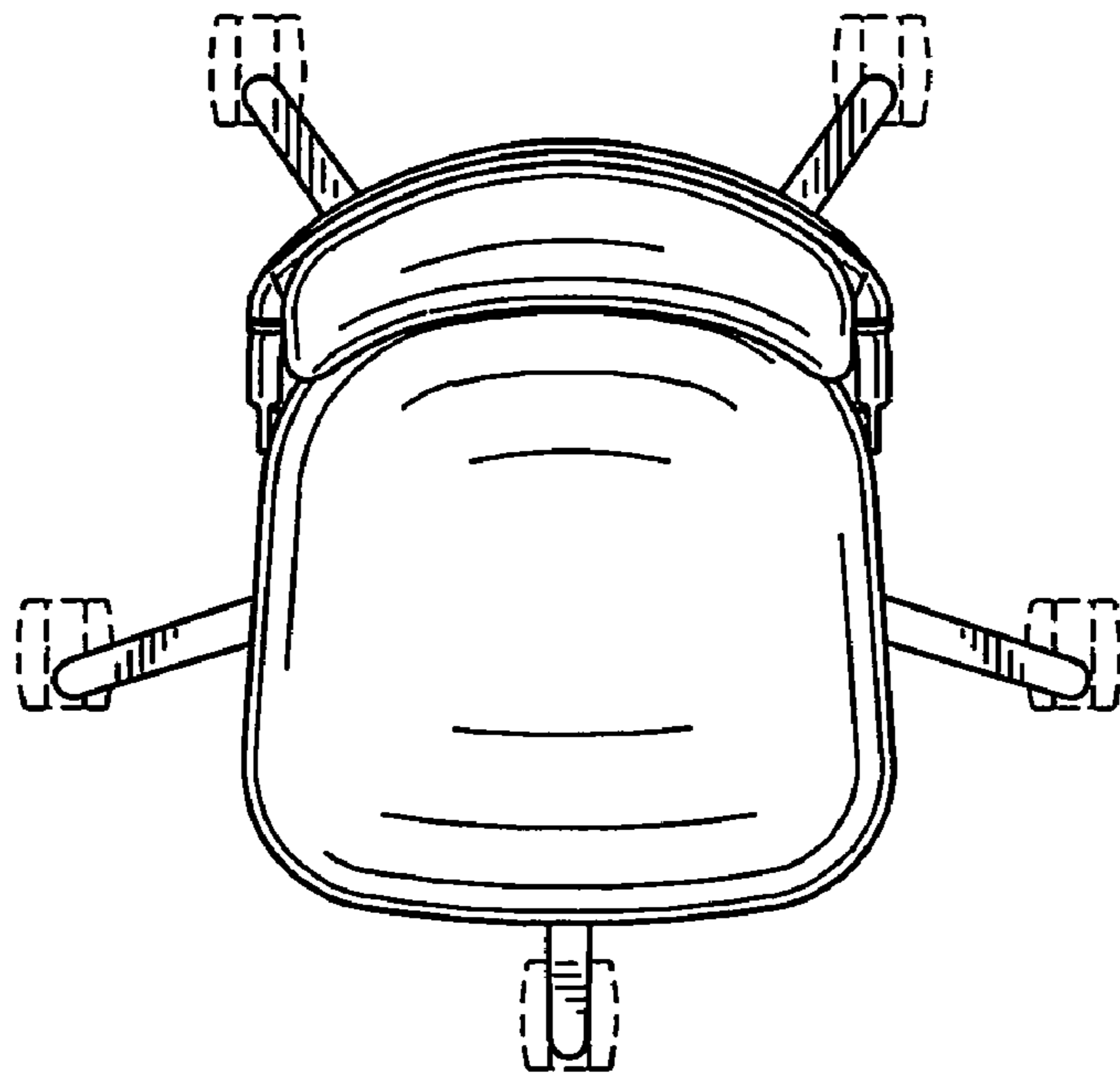


FIG. 8

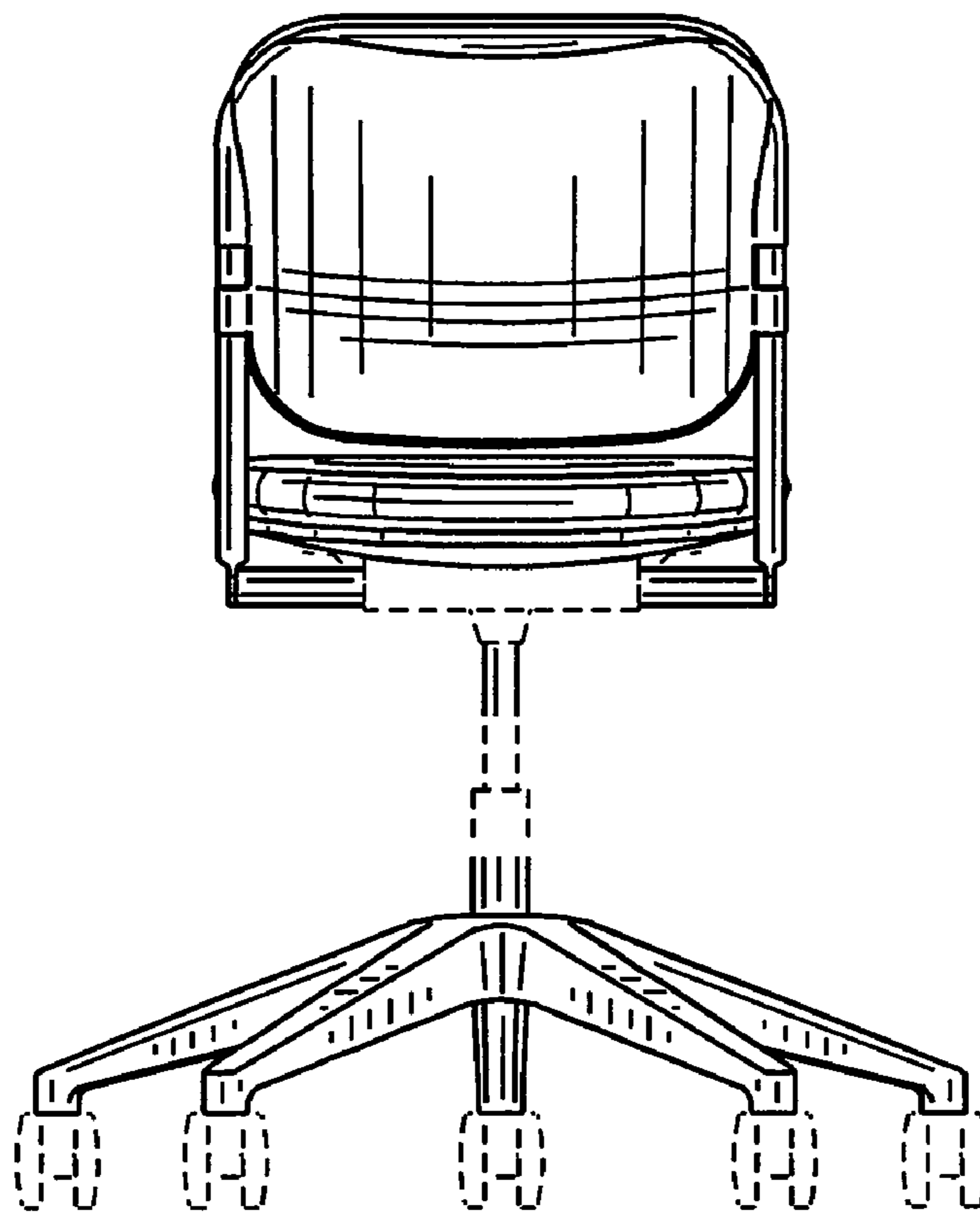


FIG. 9

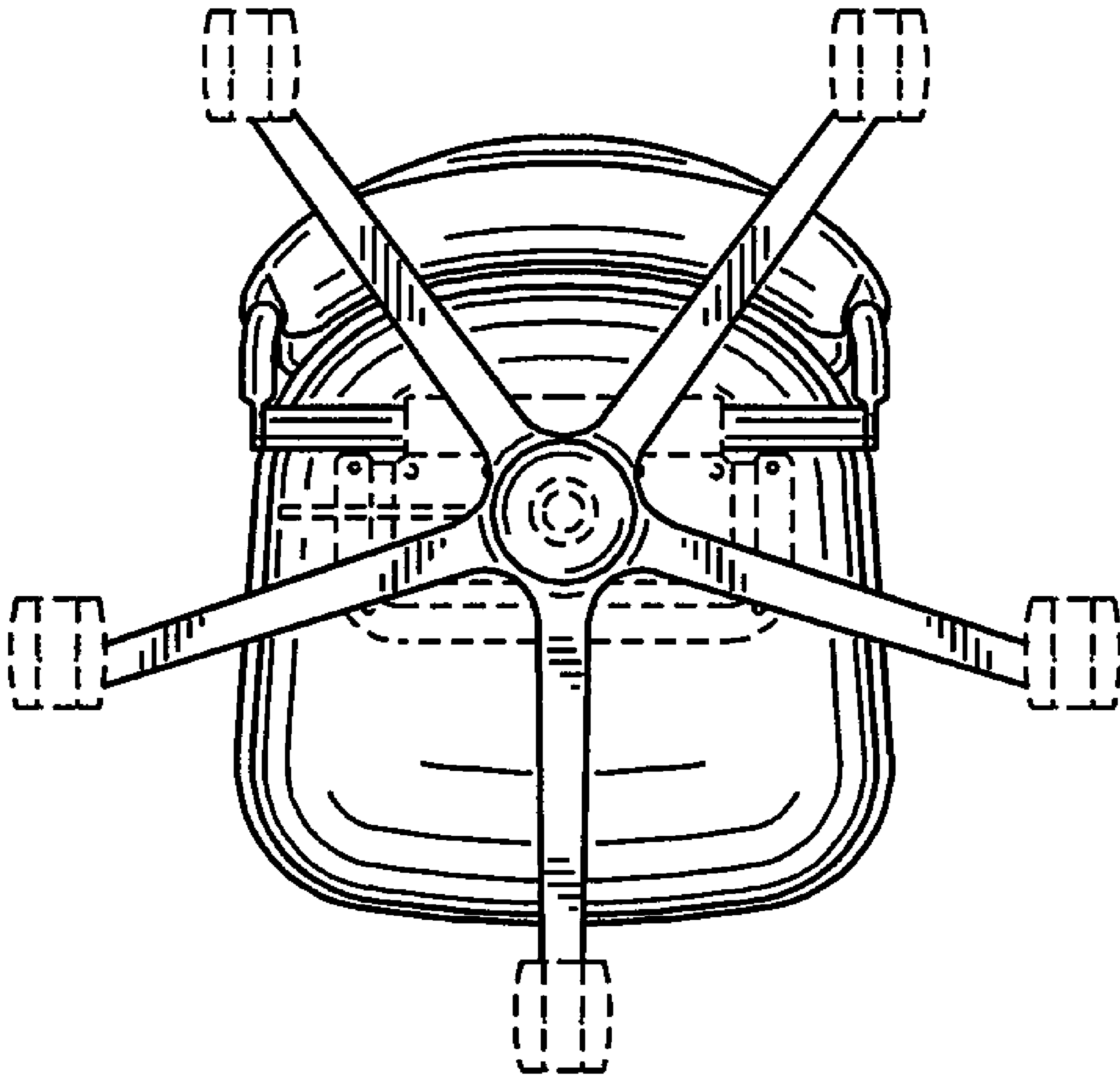


FIG. 10