

US00D599124S

(12) **United States Design Patent**
Cross

(10) **Patent No.:** **US D599,124 S**
(45) **Date of Patent:** **** Sep. 1, 2009**

(54) **CLIMBING TREE STAND WITH SEAT AND LEVELING APPARATUS**

(76) Inventor: **Jeffery M. Cross**, 5520 Matt Hwy., Cumming, GA (US) 30040

(**) Term: **14 Years**

(21) Appl. No.: **29/308,984**

(22) Filed: **Jul. 18, 2008**

(51) **LOC (9) Cl.** **06-01**

(52) **U.S. Cl.** **D6/362**

(58) **Field of Classification Search** D6/362,
D6/367-368, 379-380, 370, 333-336, 374,
D6/500-502; 297/4, 16.1, 256.15, 183.5,
297/352, 467, 468; 182/187, 188, 3, 133-136,
182/142; 224/155; 108/152

See application file for complete search history.

(56) **References Cited**

U.S. PATENT DOCUMENTS

4,474,265	A *	10/1984	Shinkle	182/187
4,909,353	A *	3/1990	Govin et al.	182/187
5,180,030	A *	1/1993	Smaby	182/187
5,507,362	A *	4/1996	Krueger	182/3
5,937,969	A *	8/1999	Woller et al.	182/187
6,622,823	B2 *	9/2003	Engstrom	182/136
7,021,423	B1 *	4/2006	Pestruie et al.	182/116
7,066,300	B2 *	6/2006	Sylvia	182/135
D539,554	S *	4/2007	Palasini	D6/362
D548,996	S *	8/2007	Cox	D6/368
7,533,761	B2 *	5/2009	Forrest	162/136

* cited by examiner

Primary Examiner—Caron Veynar
Assistant Examiner—Abraham Bahta
(74) *Attorney, Agent, or Firm*—Harry I. Leon

(57) **CLAIM**

The ornamental design for a climbing tree stand with seat and leveling apparatus, as shown and described.

DESCRIPTION

FIG. 1 is a perspective view of the tree stand according to the present invention, the dashed line of a person using the tree stand and a tree being shown for illustrated purposes only and not forming part of the claimed design;

FIG. 2 is a top perspective view of the upper section including the seat cushion;

FIG. 3 is another top perspective view of the upper section shown without the seat cushion for ease of illustration;

FIG. 4 is a top perspective of the lower section of the tree stand according to FIG. 1;

FIG. 5 is a side elevation view of the tree stand according to FIG. 1, the dashed line of a tree trunk on which the tree stand is mounted being shown for illustrative purposes only and not forming part of the claimed design;

FIG. 6 is a rear perspective view, on an enlarged scale, of a fragmentary portion of the upper section according to FIG. 3, the fragmentary portion including the upper section leveling device;

FIG. 7 is a rear perspective view, on an enlarged scale, of a fragmentary portion of the lower section according to FIG. 4, the fragmentary portion including the lower section leveling device;

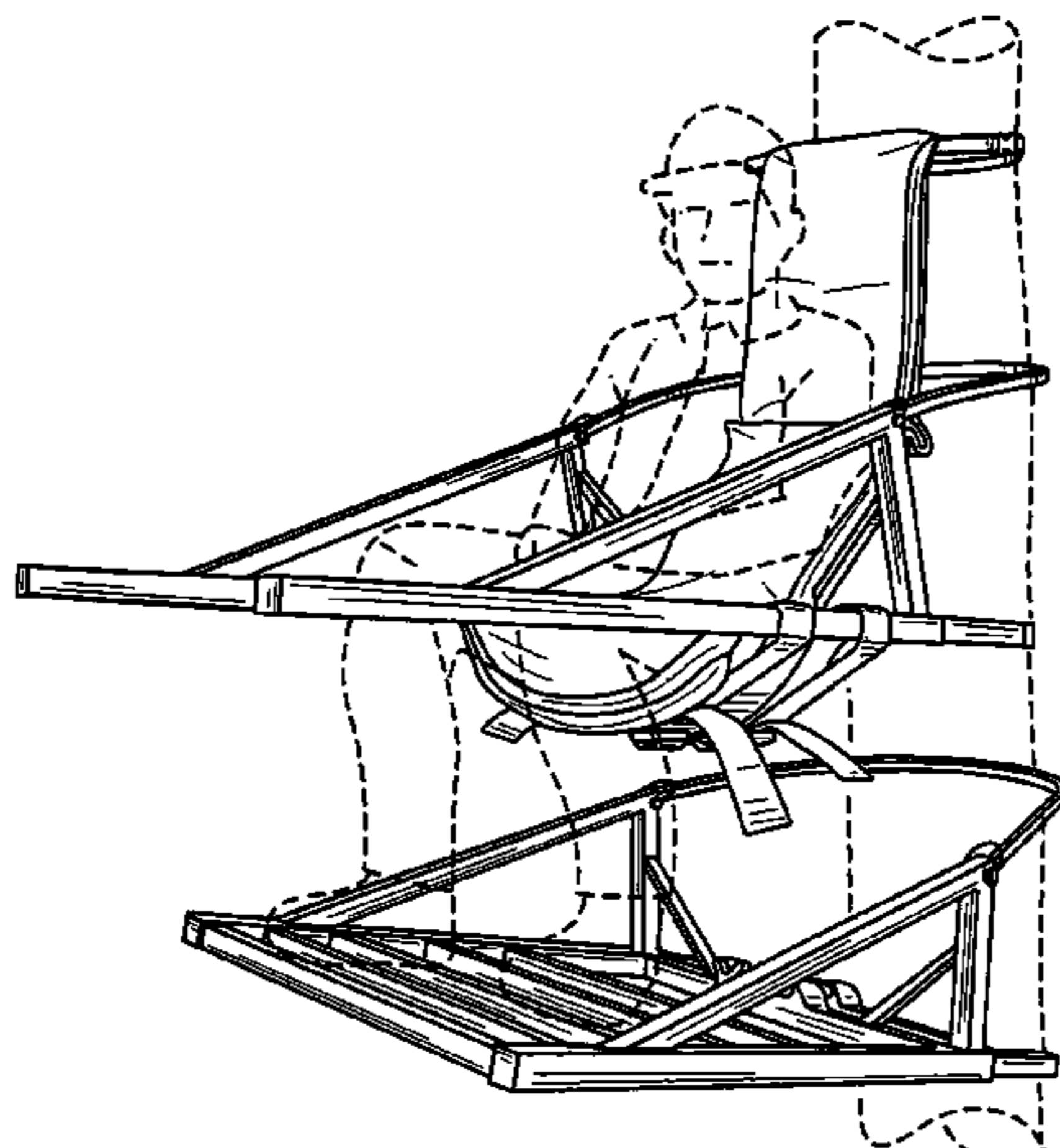
FIG. 8 is an exploded view of a fragmentary portion of the upper section according to FIG. 3, the fragmentary portion including the upper leveling device;

FIG. 9 is an exploded view of a fragmentary portion of the lower section according to FIG. 4, the fragmentary portion including the lower leveling device;

FIG. 10 is a bottom plan view of a fragmentary portion of the upper section according to FIG. 3, the fragmentary portion including the upper leveling device; and,

FIG. 11 is a bottom plan view of a fragmentary portion of the lower section according to FIG. 4, the fragmentary portion including the lower leveling device.

1 Claim, 5 Drawing Sheets



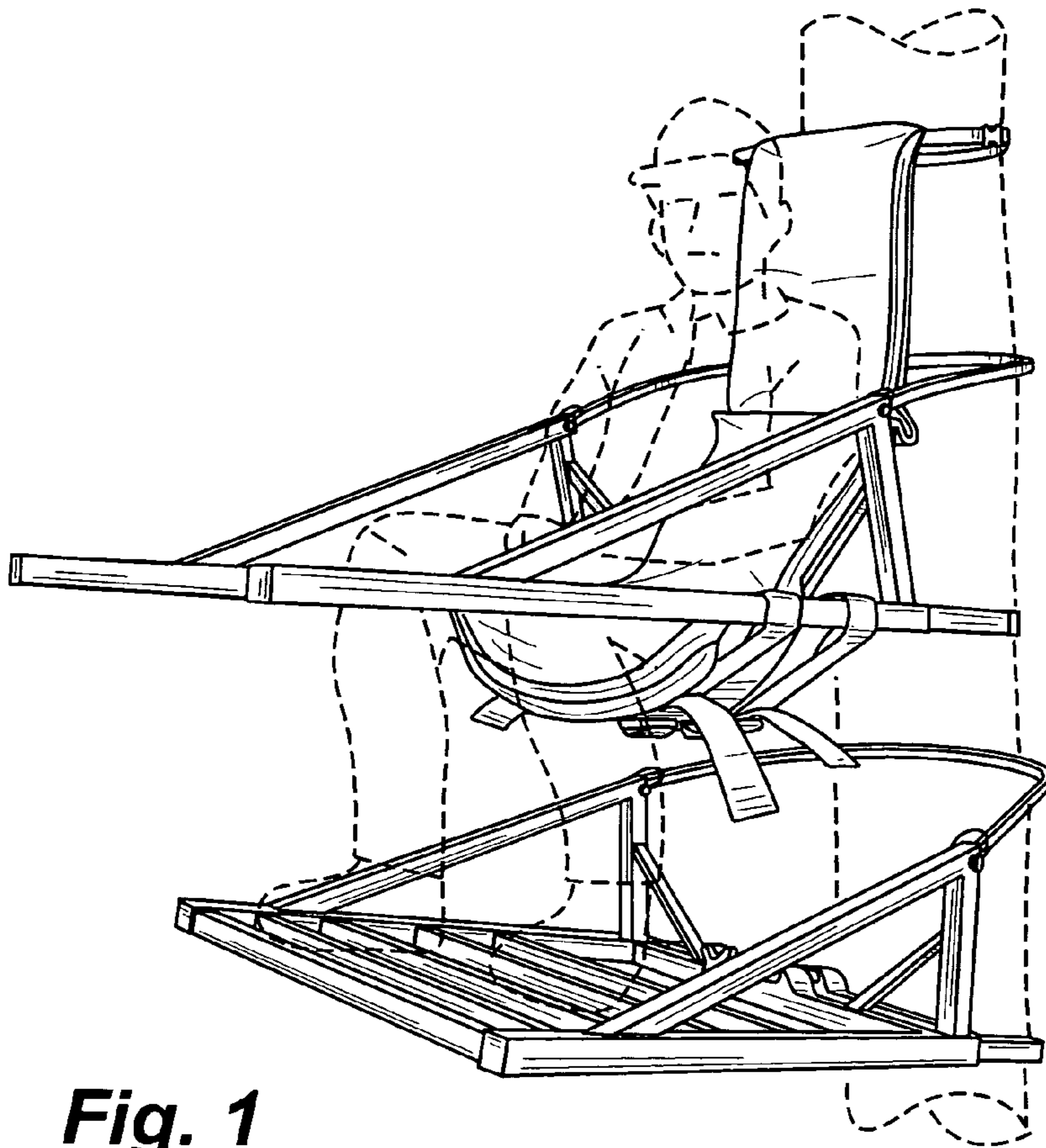


Fig. 1

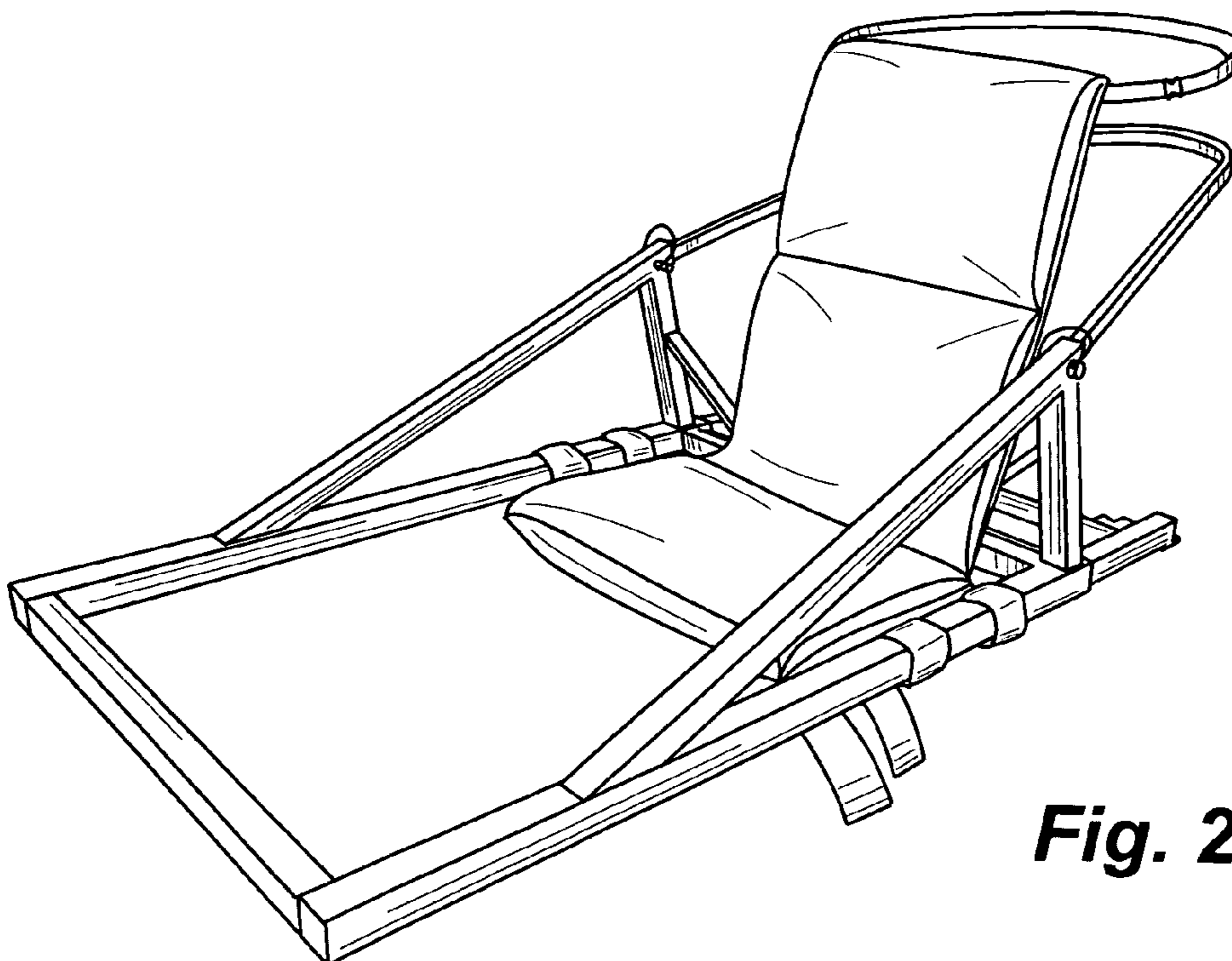


Fig. 2

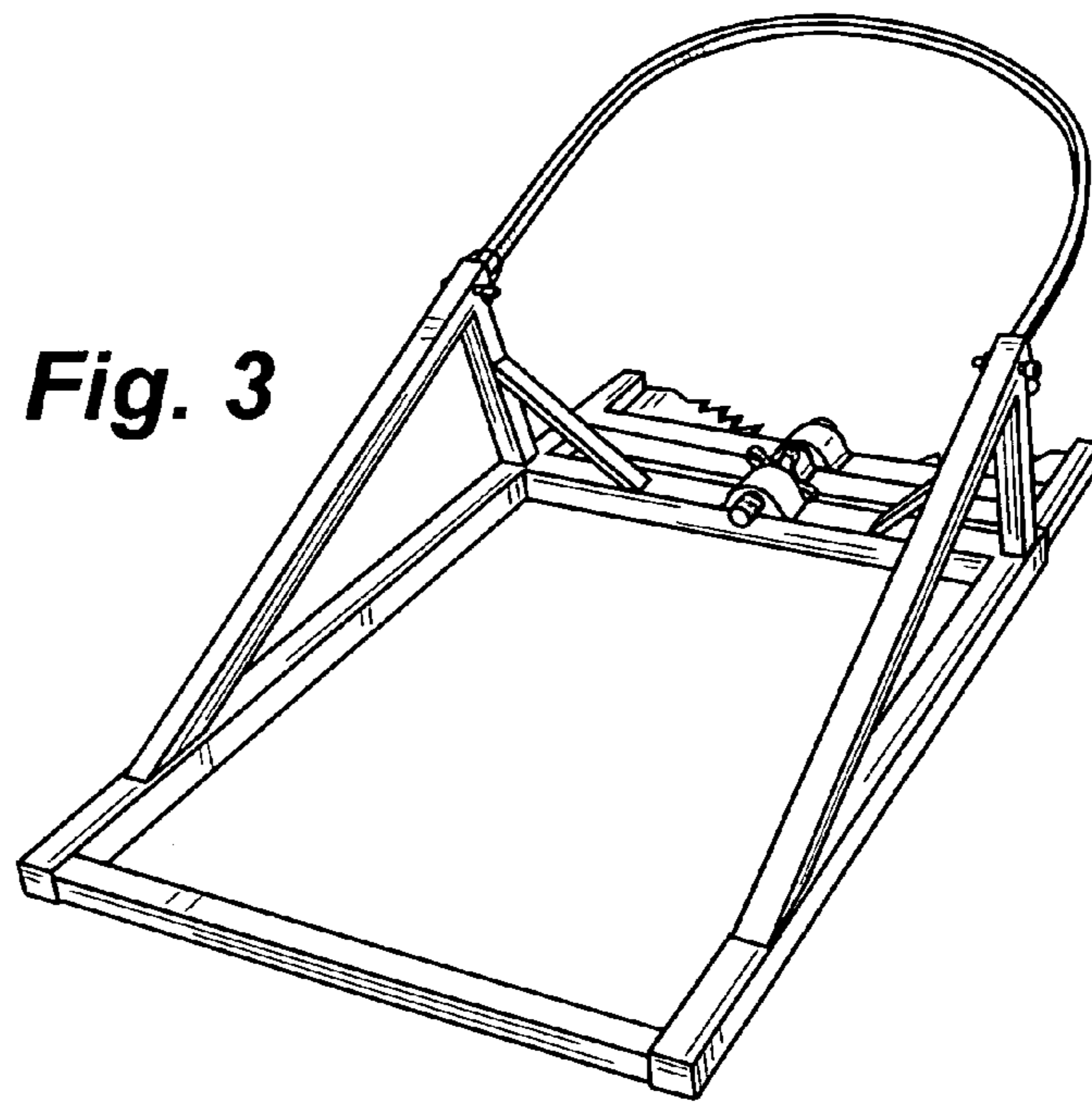


Fig. 3

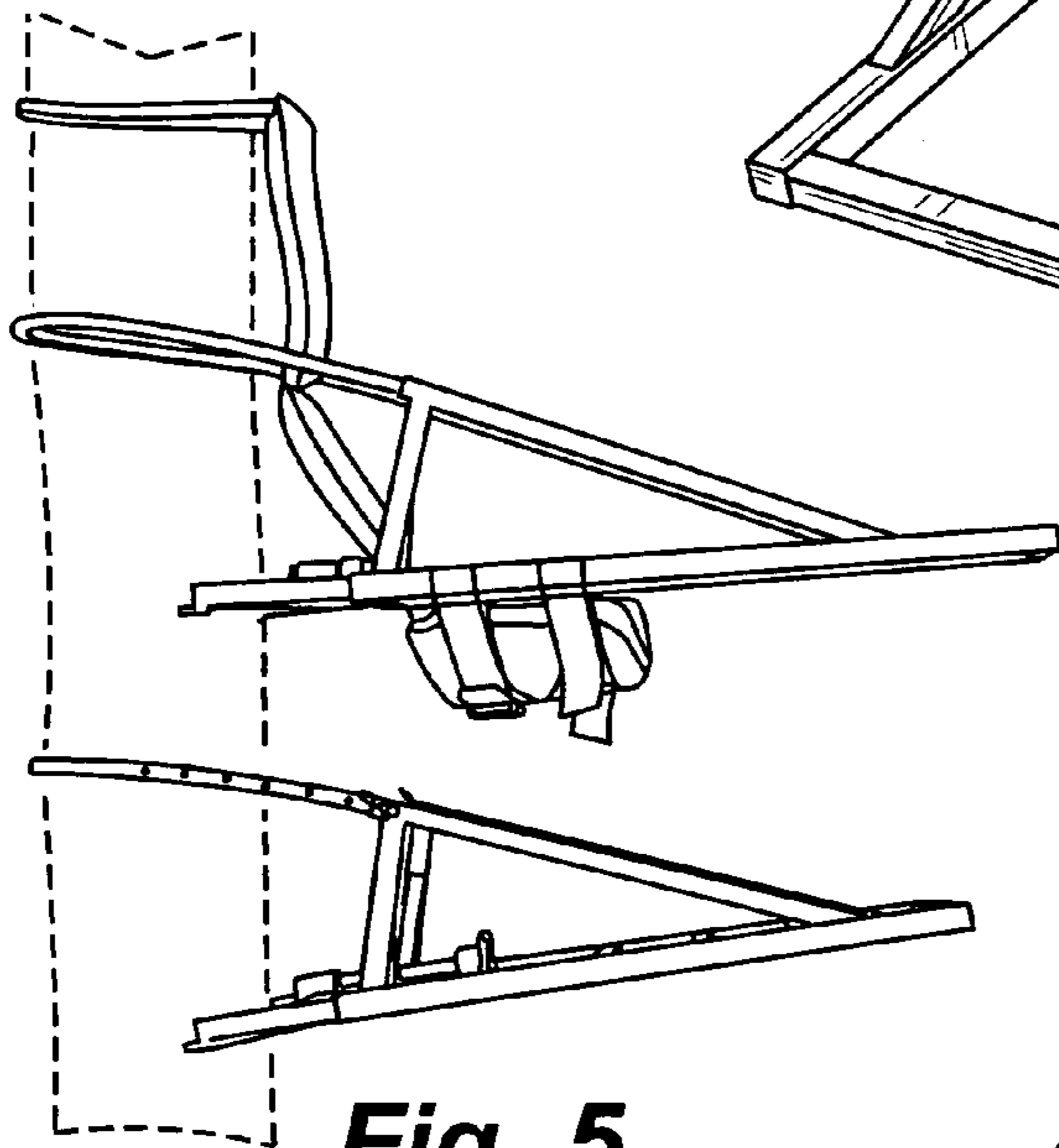


Fig. 5

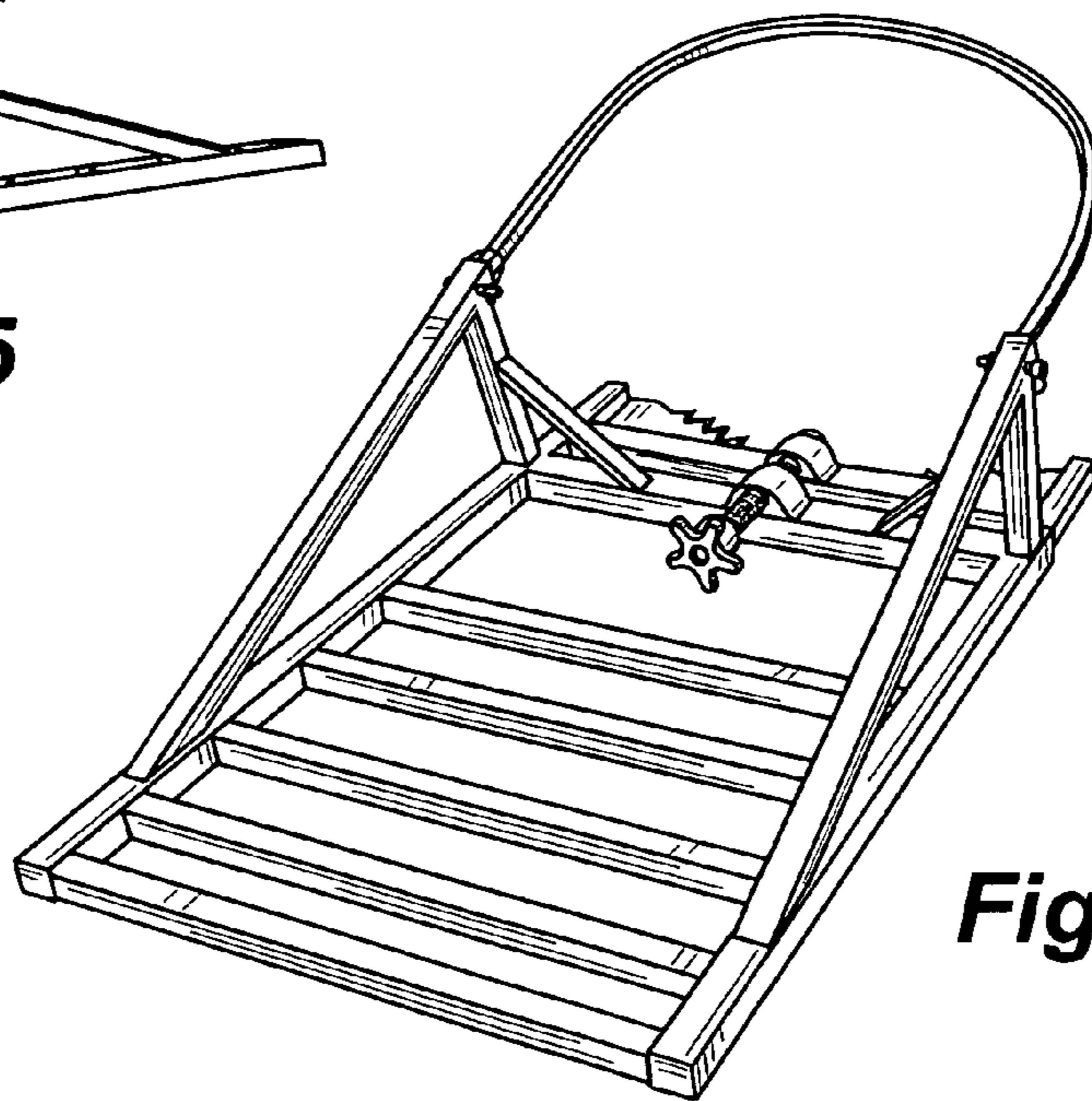


Fig. 4

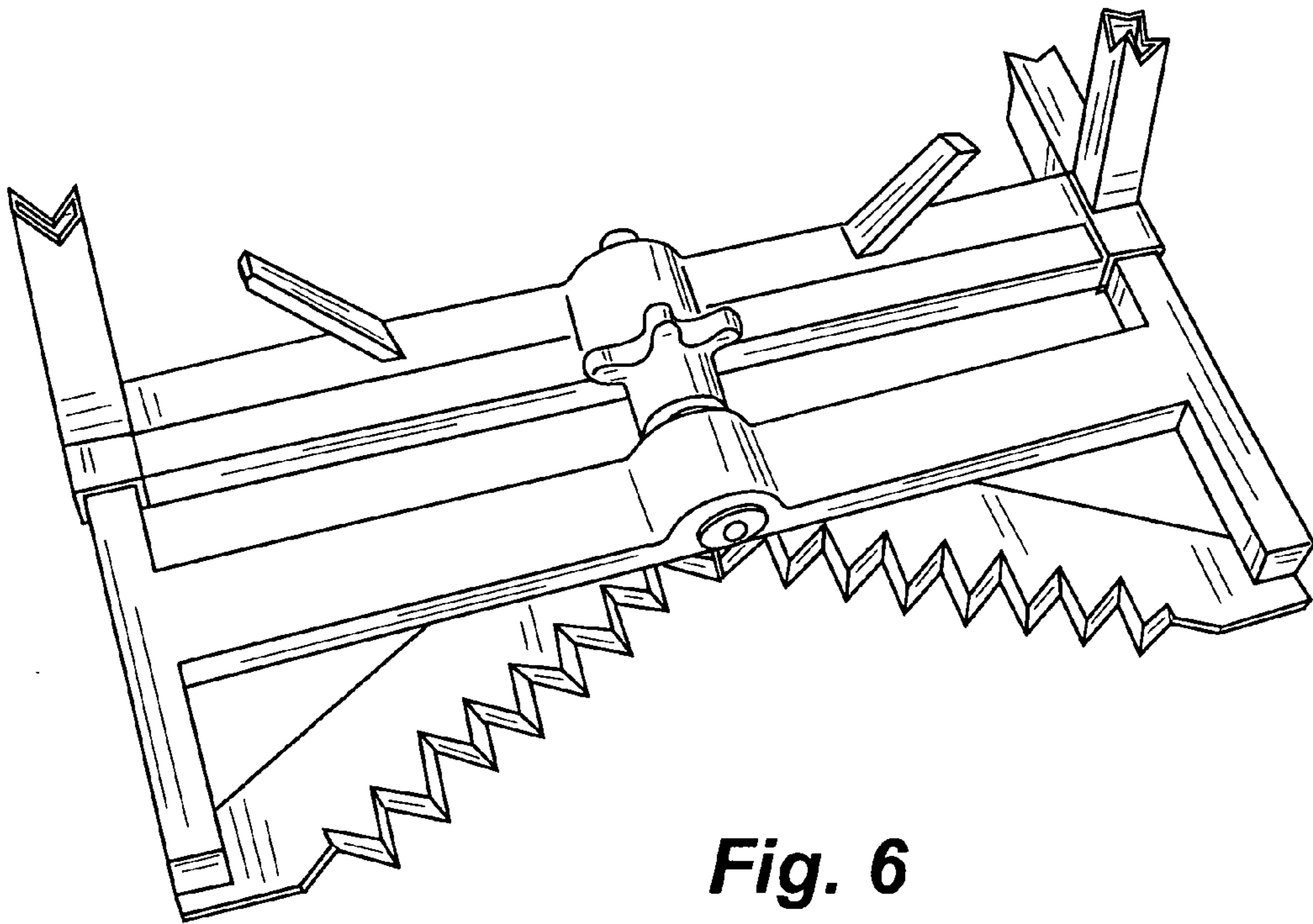


Fig. 6

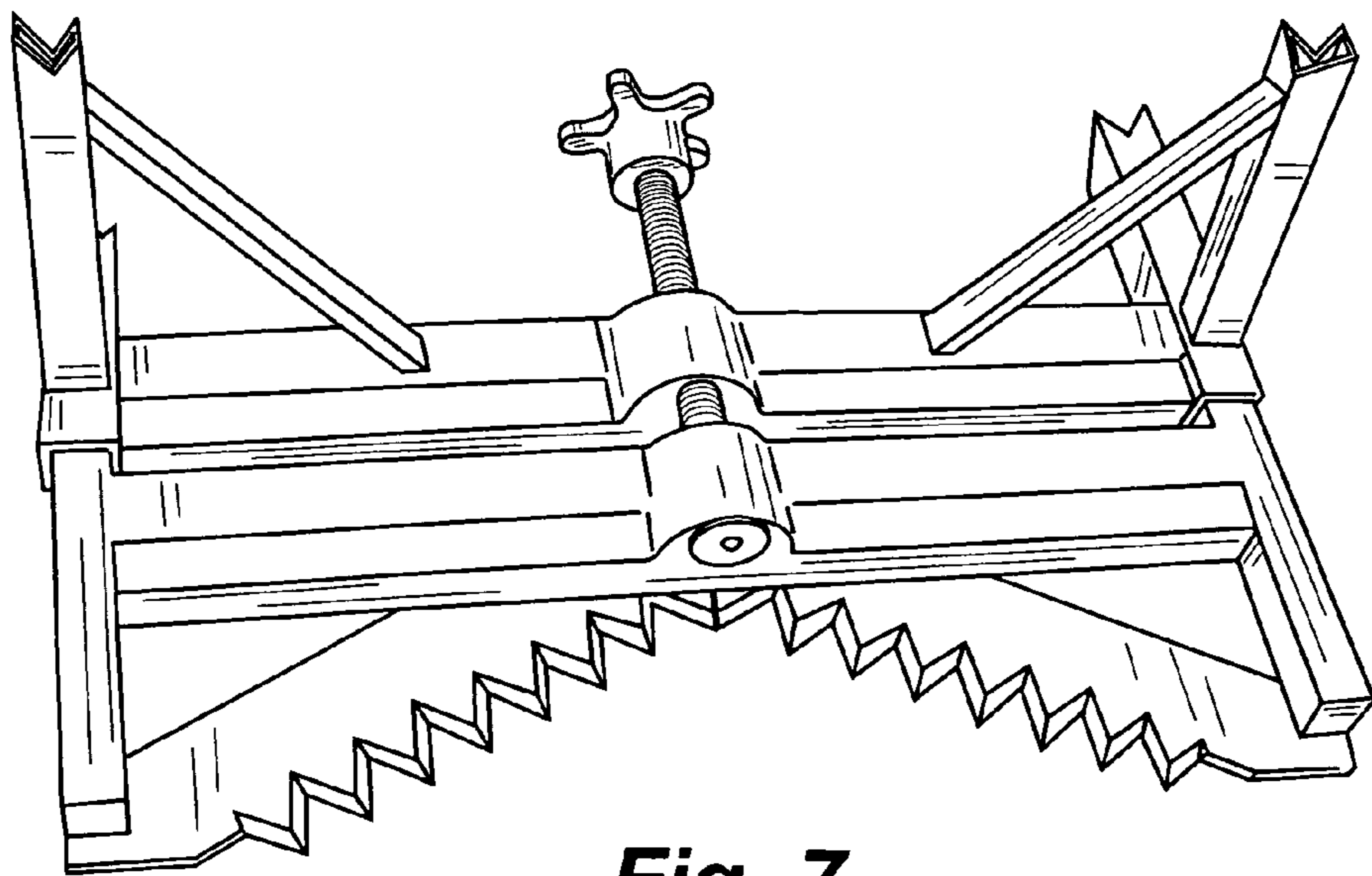


Fig. 7

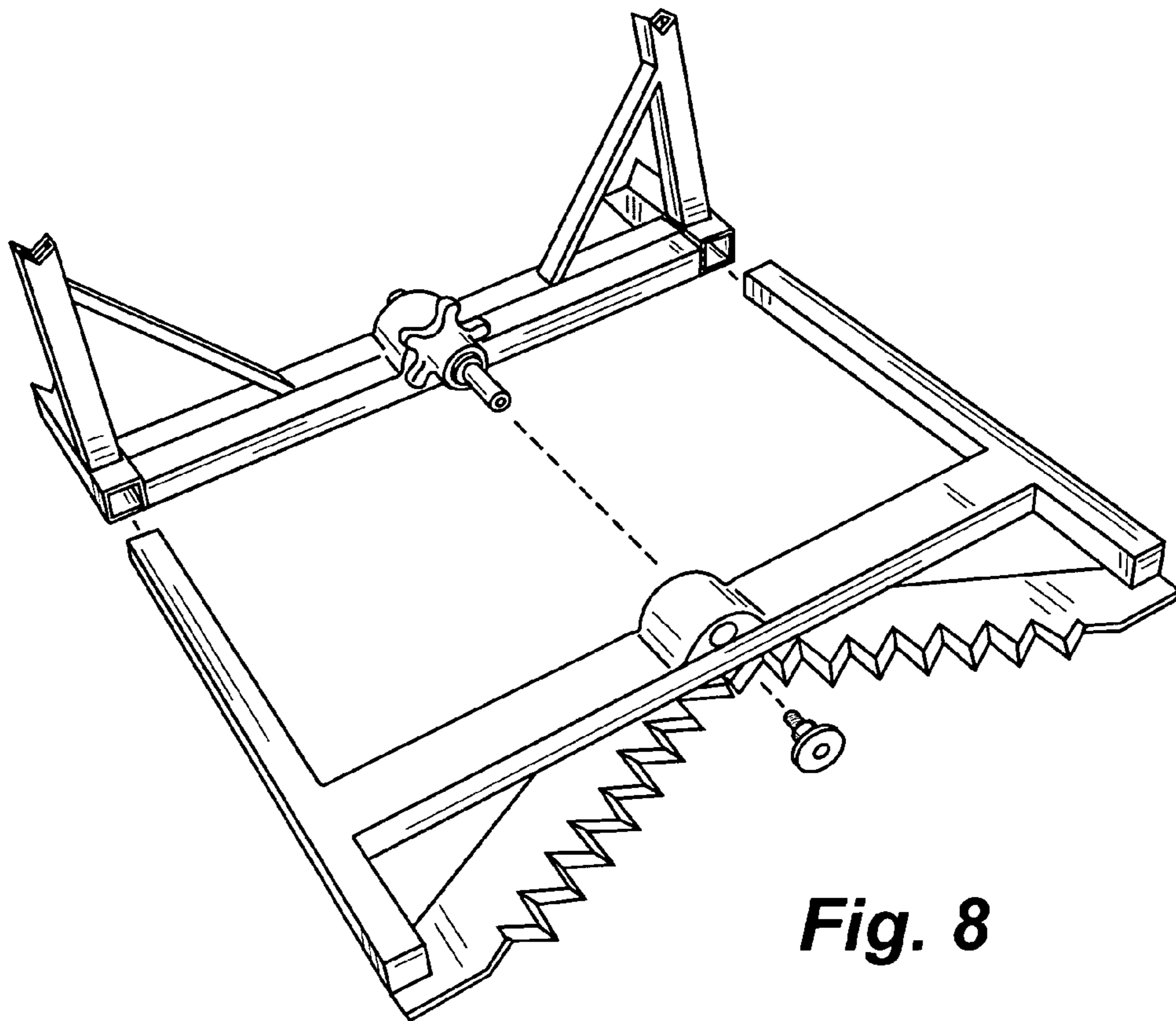


Fig. 8

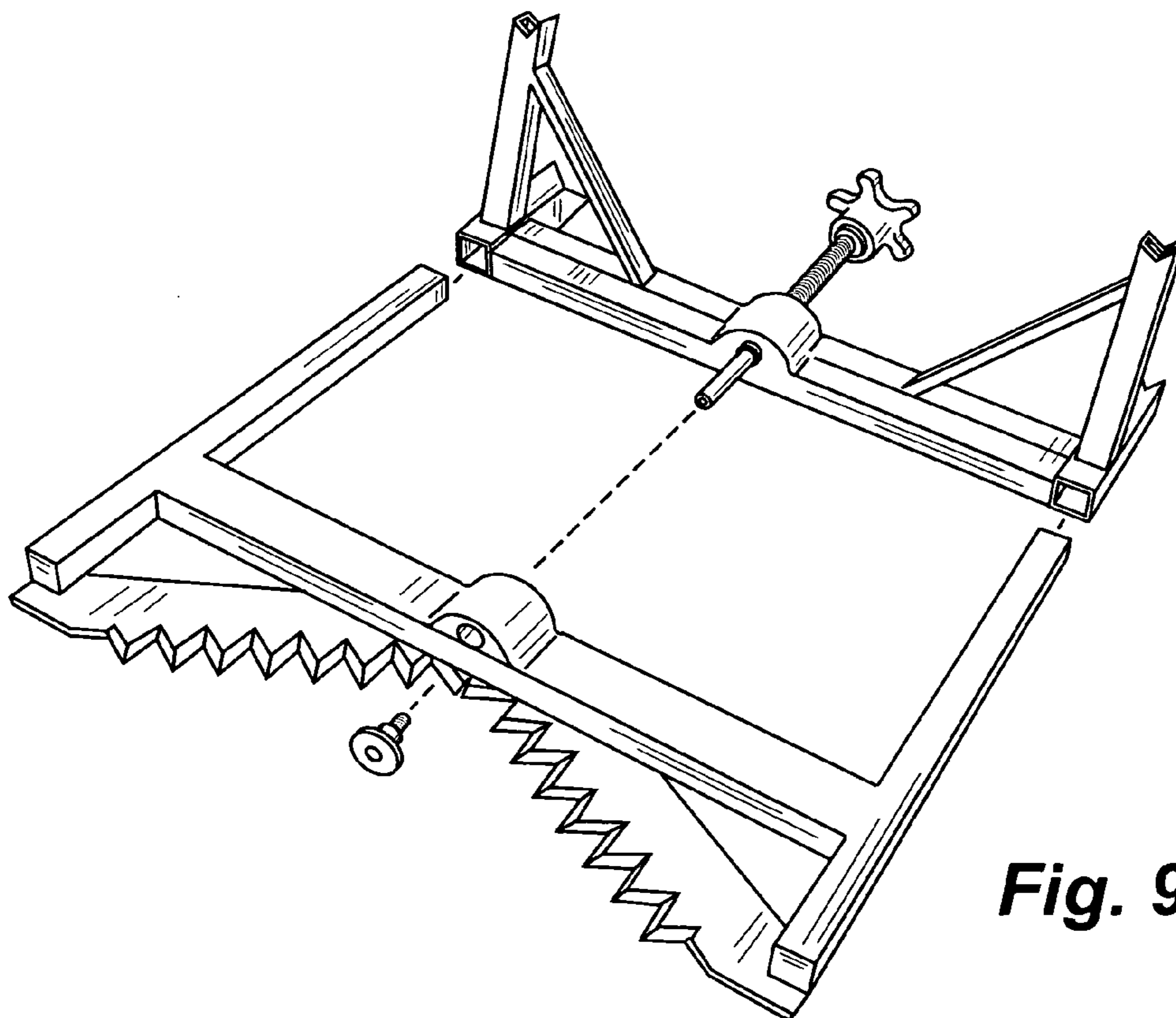


Fig. 9

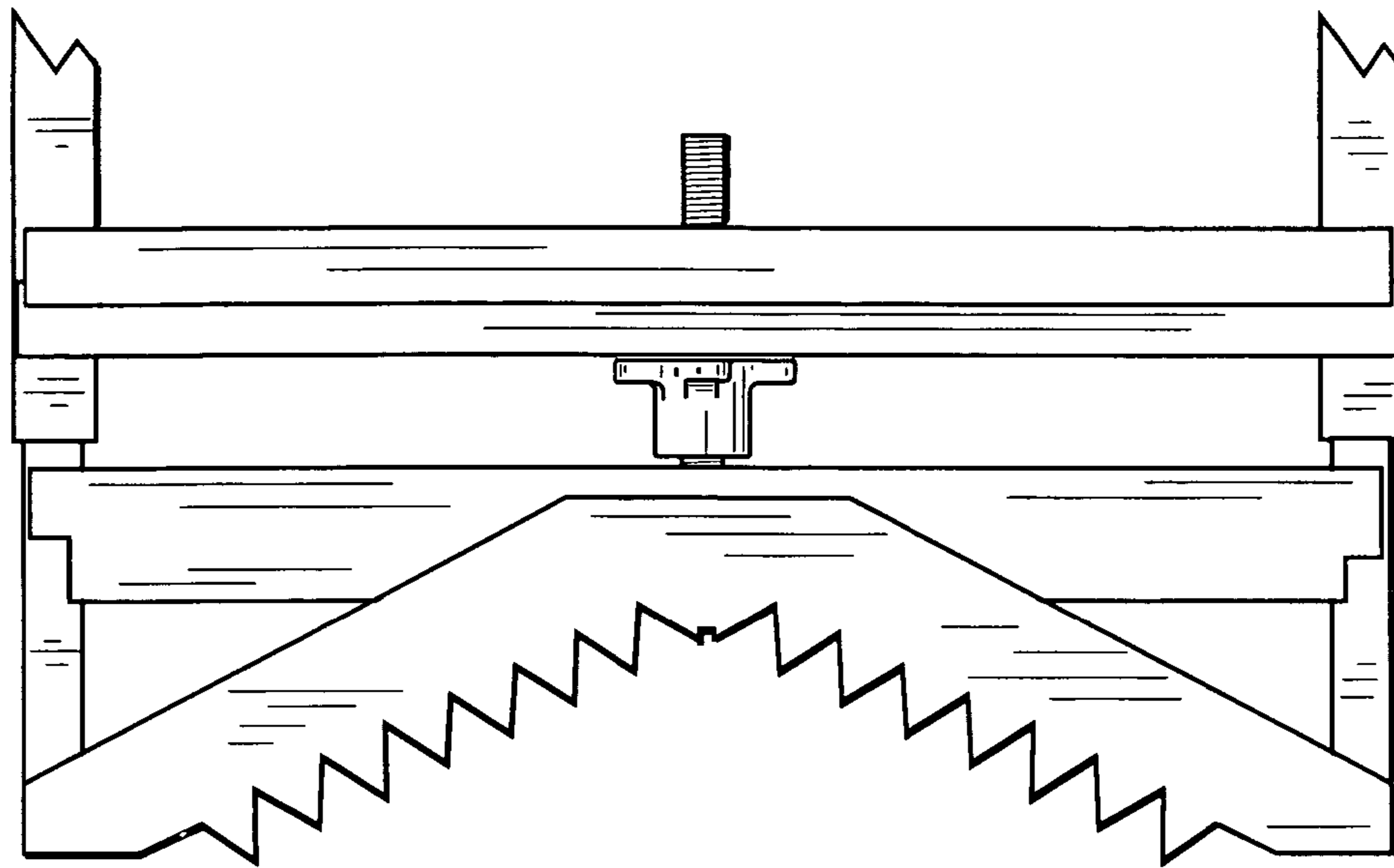


Fig. 10

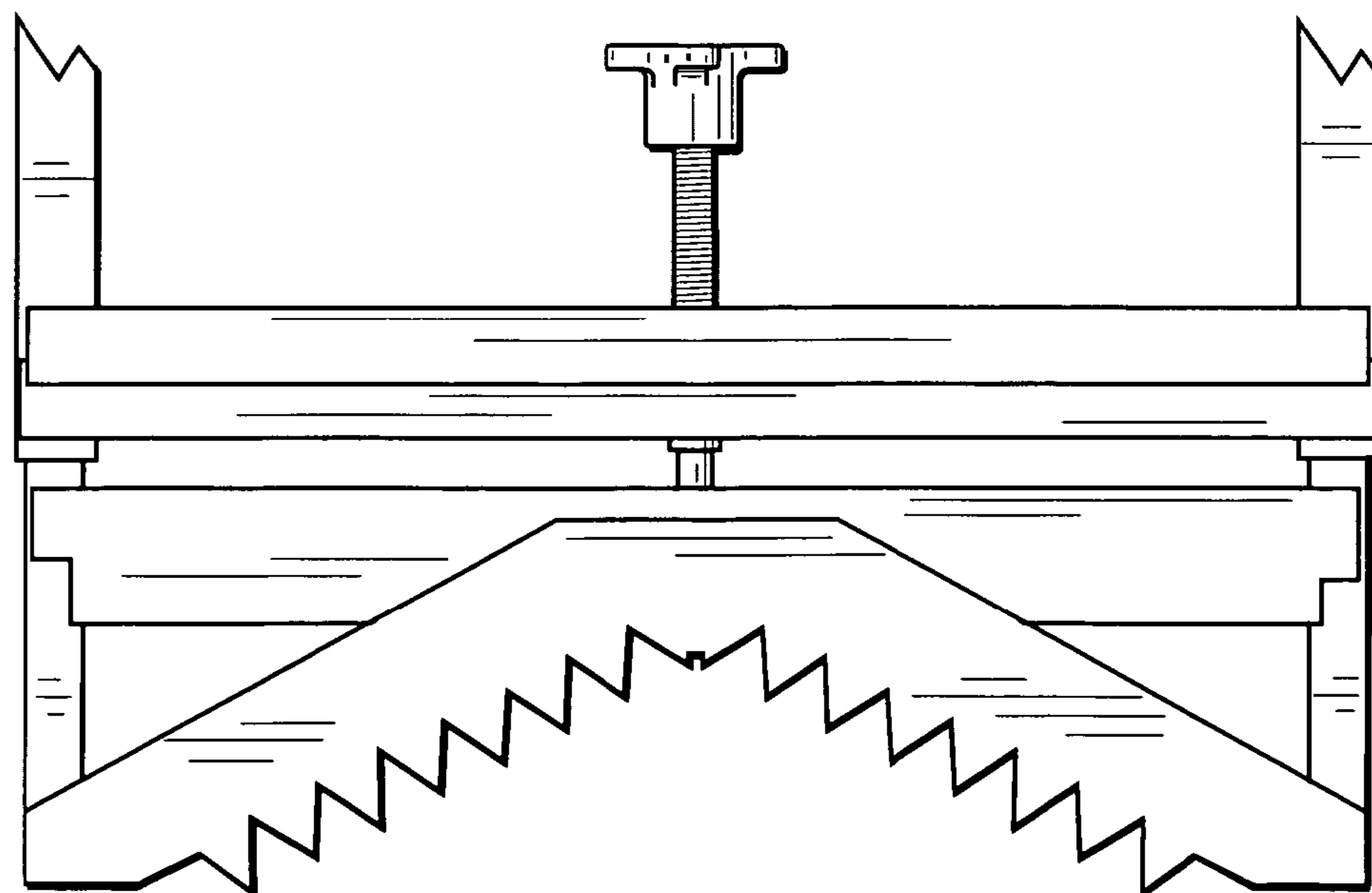


Fig. 11