

US00D599123S

(12) **United States Design Patent**
Domack et al.

(10) **Patent No.:** **US D599,123 S**
(45) **Date of Patent:** **** Sep. 1, 2009**

(54) **BAR STOOL**

(75) Inventors: **Randy D. Domack**, Trempealeau, WI (US); **Terry A. Everson**, Blair, WI (US)

(73) Assignee: **Ashley Furniture Industries, Inc.**, Arcadia, WI (US)

(**) Term: **14 Years**

(21) Appl. No.: **29/310,059**

(22) Filed: **Jul. 24, 2008**

(51) **LOC (9) Cl.** **06-01**
(52) **U.S. Cl.** **D6/349**
(58) **Field of Classification Search** D6/330, D6/335-338, 340, 349-355, 358, 359, 364, D6/366, 376, 491, 495, 500-502; 297/16.1, 297/39, 46, 135, 140, 156, 158.3, 158.4, 297/175, 177, 187, 195.1, 195.11, 211, 245, 297/423.1, 423.16, 445.1, 461, 462
See application file for complete search history.

(56) **References Cited**

U.S. PATENT DOCUMENTS

D111,608 S *	10/1938	Kipp	D6/352
D126,270 S *	4/1941	Panzer	D6/352
D132,105 S	4/1942	Peterson		
D141,379 S	1/1945	Panzer		
2,525,670 A *	10/1950	Hamilton	5/402
2,528,950 A *	11/1950	Engstrom	5/402
2,866,497 A *	12/1958	Struthers	5/655.9
D192,732 S *	5/1962	Boyers	D6/374
D265,364 S *	7/1982	Walker	D6/495
4,998,774 A *	3/1991	Huff et al.	297/461
D335,034 S	4/1993	Herman		
D339,002 S	9/1993	Wong		
D426,082 S	6/2000	Fehlig et al.		
D432,802 S	10/2000	Taylor et al.		

D450,941 S 11/2001 Spitler
D467,742 S 12/2002 de Blois
D575,540 S * 8/2008 Goldberg et al. D6/349
D579,676 S * 11/2008 Rheault et al. D6/349

OTHER PUBLICATIONS

Port Rouge D533-124-130 Ashley Furniture Industries Product Catalog, vol. 7, Series 1, Spring 2005, p. 471.
Carlyle D371-124-130 Ashley Furniture Industries Product Catalog, vol. 7, Series 1, Spring 2005, p. 166.
Arlington D494-124-130 Ashley Furniture Industries Product Catalog, vol. 6, Series 1, 2004, p. 377.
Odyssey D401-130(2) Ashley Furniture Industries Product Catalog, vol. 6, Series 1, 2004, p. 369.

* cited by examiner

Primary Examiner—Sandra Snapp

(74) *Attorney, Agent, or Firm*—Patterson, Thuente, Skaar & Christensen, P.A.

(57) **CLAIM**

We claim the ornamental design for bar stool, as shown and described.

DESCRIPTION

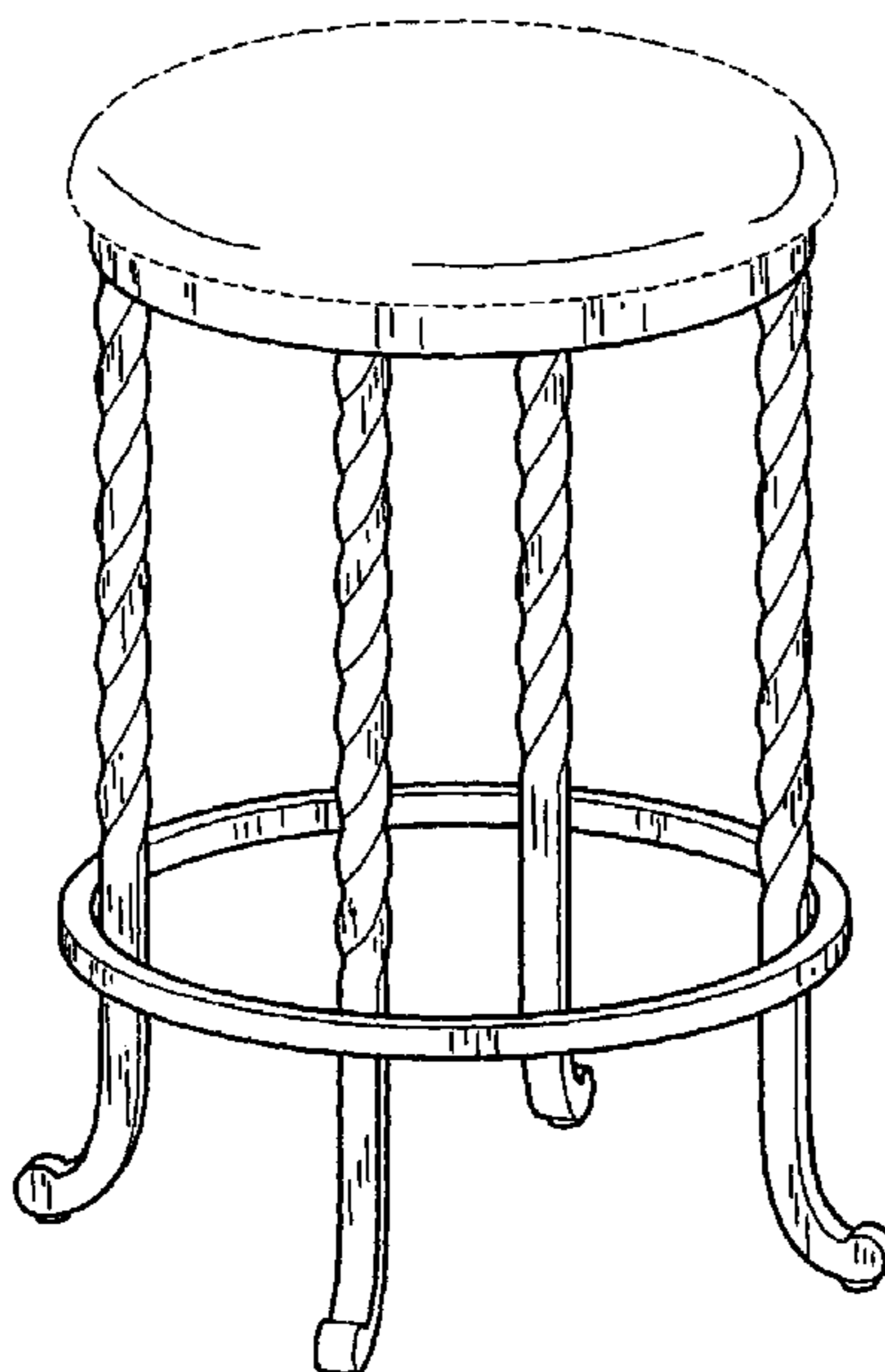
FIG. 1 is a front corner perspective view of a bar stool according to an embodiment of the invention. The view from the opposite back corner being identical to this view.

FIG. 2 is a side elevational view of a bar stool according to an embodiment of the invention. The view from each side being identical hereto; and,

FIG. 3 is a top plan view of a bar stool according to an embodiment of the invention.

The portions of the figures shown in dashed lines are for illustrative purposes only and form no part of the claimed invention.

1 Claim, 3 Drawing Sheets



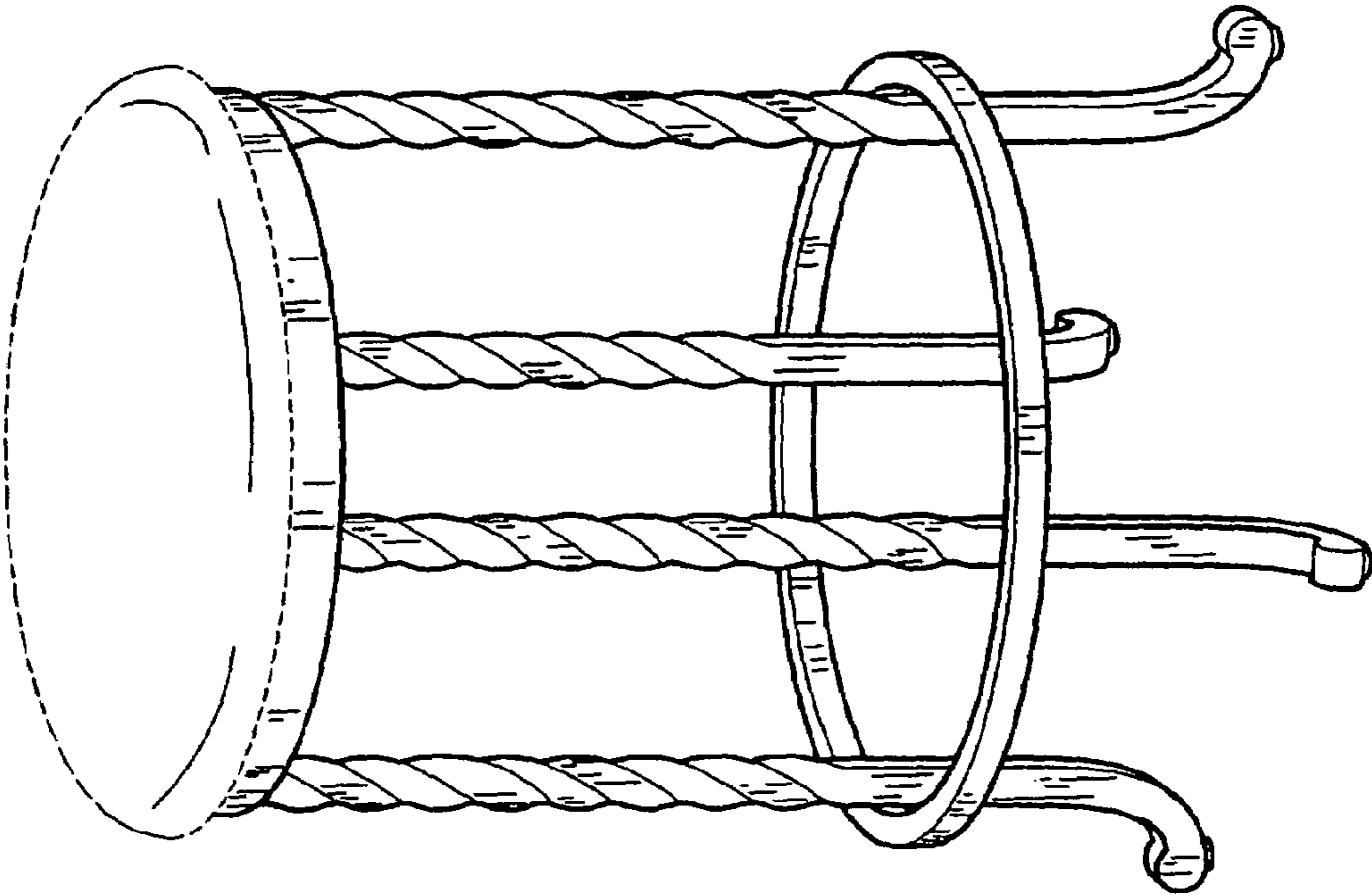


FIG. 1

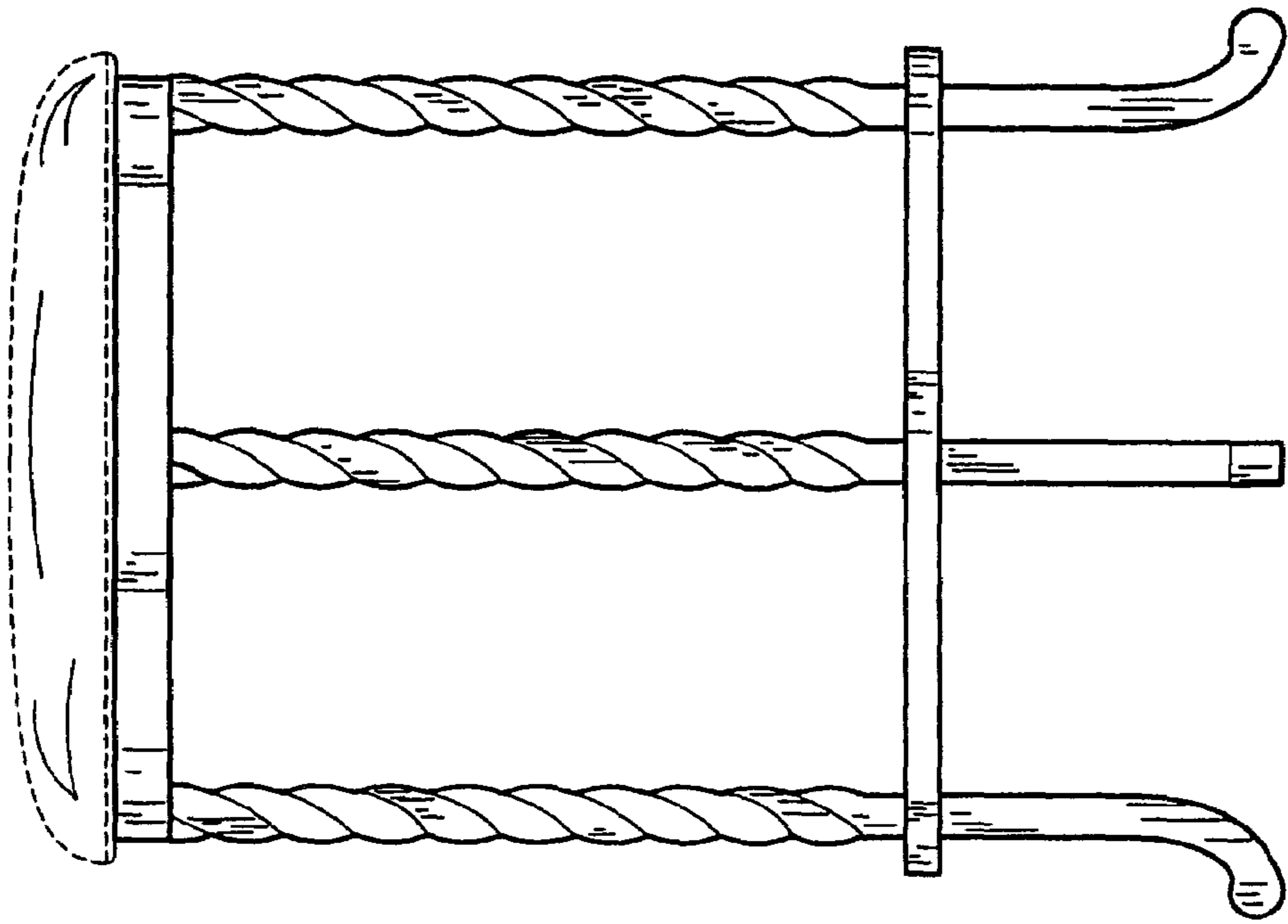


FIG. 2

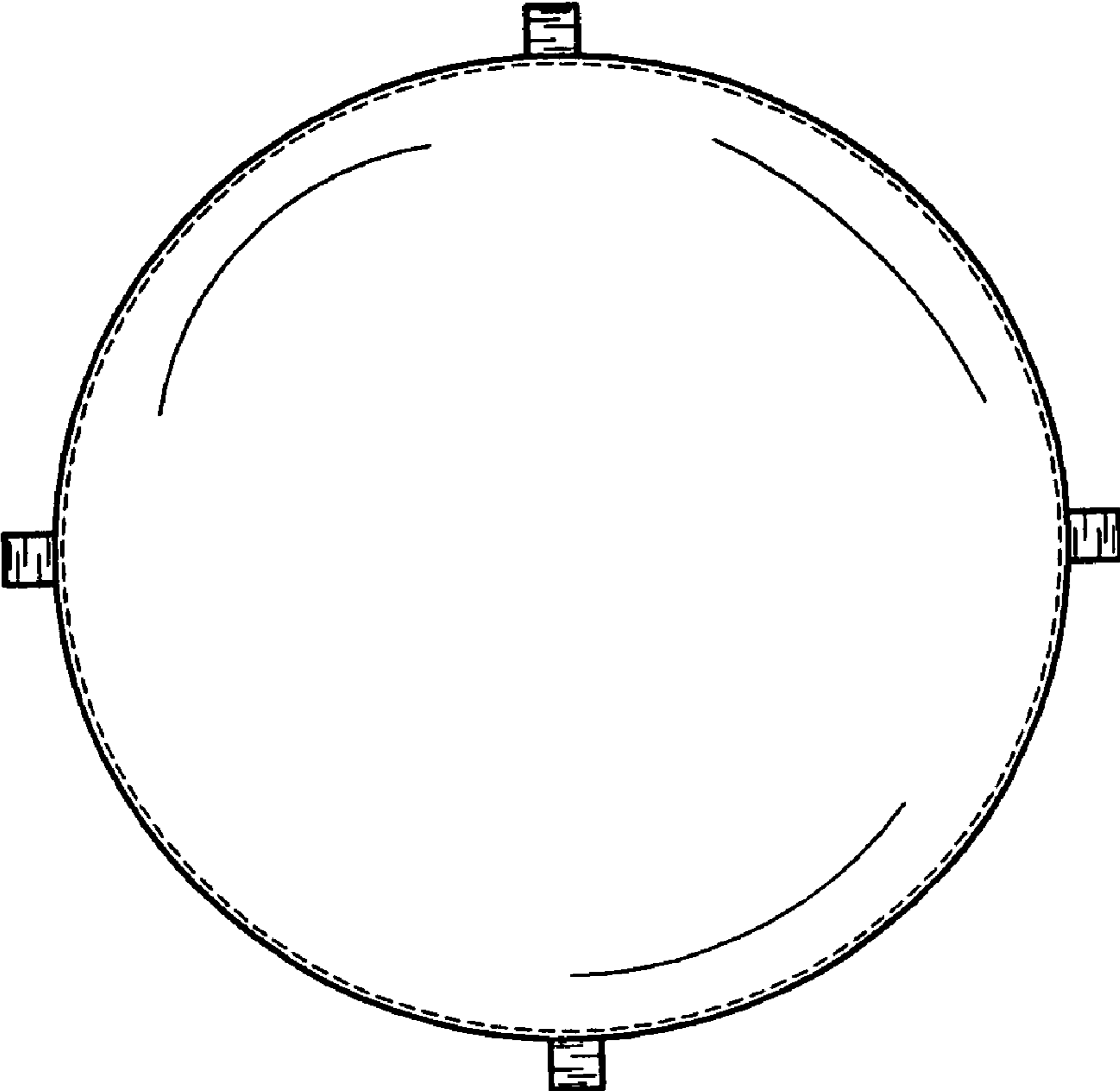


FIG. 3