

US00D599121S

(12) **United States Design Patent**
White et al.

(10) **Patent No.:** **US D599,121 S**
(45) **Date of Patent:** **** Sep. 1, 2009**

(54) **DISPLAY SYSTEM**

(75) Inventors: **Mel White**, Oregon City, OR (US);
Kevin Carty, Portland, OR (US)

(73) Assignee: **Classic Exhibits, Inc.**, Portland, OR (US)

(**) Term: **14 Years**

(21) Appl. No.: **29/303,703**

(22) Filed: **Feb. 14, 2008**

(51) **LOC (9) Cl.** **06-01**

(52) **U.S. Cl.** **D6/332**

(58) **Field of Classification Search** D6/332,
D6/396, 397, 449, 509, 432; D25/48, 58;
312/3-6, 195, 210, 265.4; 160/130, 131,
160/167 V, 215, 236; 211/180; D20/10,
D20/39, 41; D14/307

See application file for complete search history.

(56) **References Cited**

U.S. PATENT DOCUMENTS

1,308,680 A	7/1919	Price
D108,457 S	2/1938	Rohde
2,555,986 A	6/1951	Miller
D166,795 S	5/1952	Bright
2,775,833 A	1/1957	Wishart
D180,583 S	7/1957	Craig
2,815,597 A	12/1957	Carter
3,952,437 A	4/1976	Mitchell

D304,526 S *	11/1989	Moss	D6/332
D399,063 S *	10/1998	Verbeek et al.	D6/332
5,903,992 A	5/1999	Eisenberg		
D452,712 S *	1/2002	Kim	D20/10
D506,331 S *	6/2005	Quintal	D6/495
D536,553 S	2/2007	Mendini		
D576,683 S *	9/2008	Frey	D20/10

* cited by examiner

Primary Examiner—Sandra Snapp

(74) *Attorney, Agent, or Firm*—Davis Wright Tremaine LLP

(57) **CLAIM**

The ornamental design for a display system, as shown and described.

DESCRIPTION

FIG. 1 is a perspective view showing the front and side of our new design, the design utilizing trapezoidal shaped elements.

FIG. 2 is a perspective view thereof showing the rear and side.

FIG. 3 is a perspective view similar to FIG. 1, the design utilizing rounded frame elements; and,

FIG. 4 is a perspective view thereof showing the rear and side.

The evenly spaced dash-double-dot lines shown in the drawings illustrate environmental items such as the rear legs, connector knobs, lighting, and horizontal cross members, and form no part of the claimed design. The long, thin, random broken lines are shade lines.

1 Claim, 4 Drawing Sheets

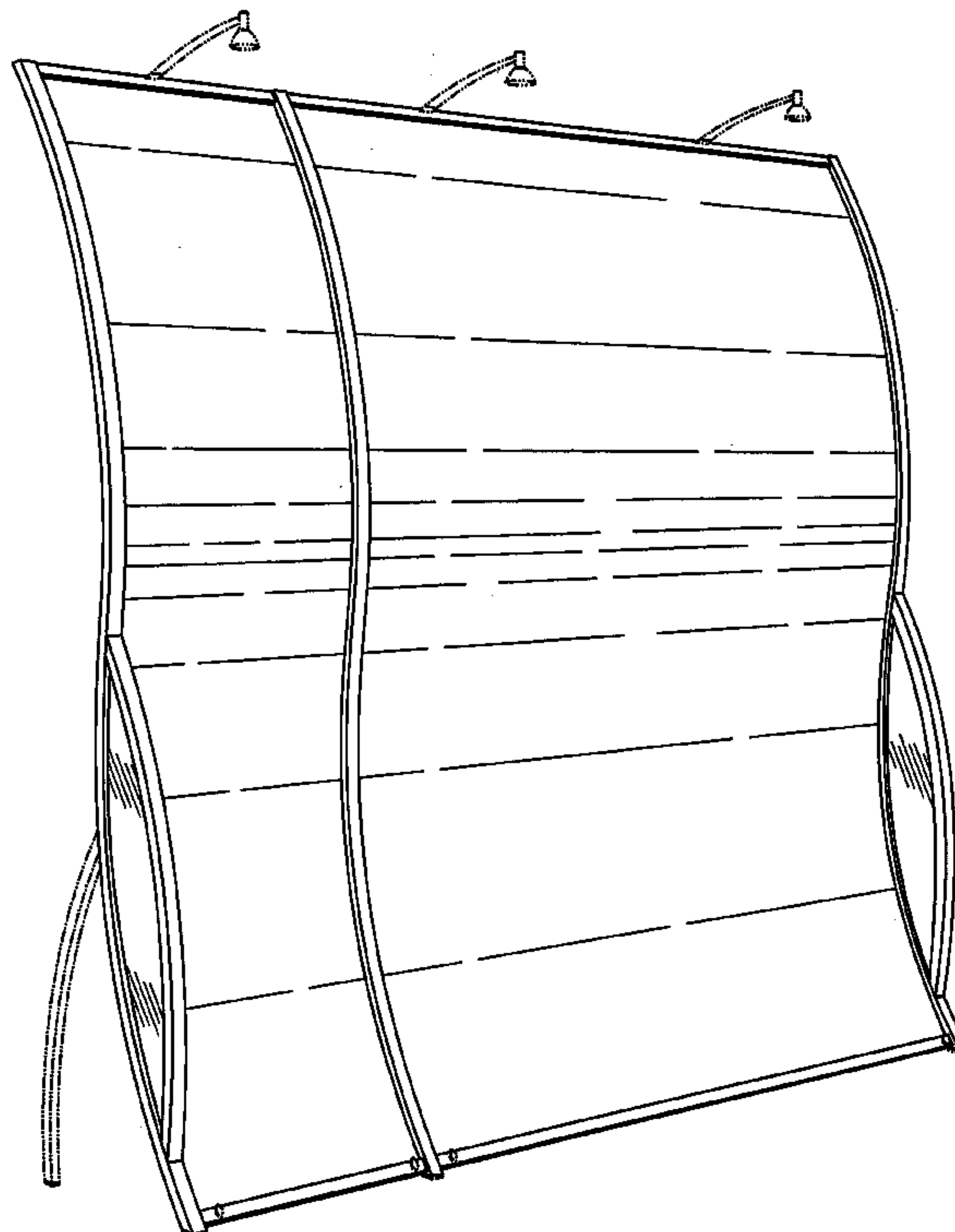


Fig. 1

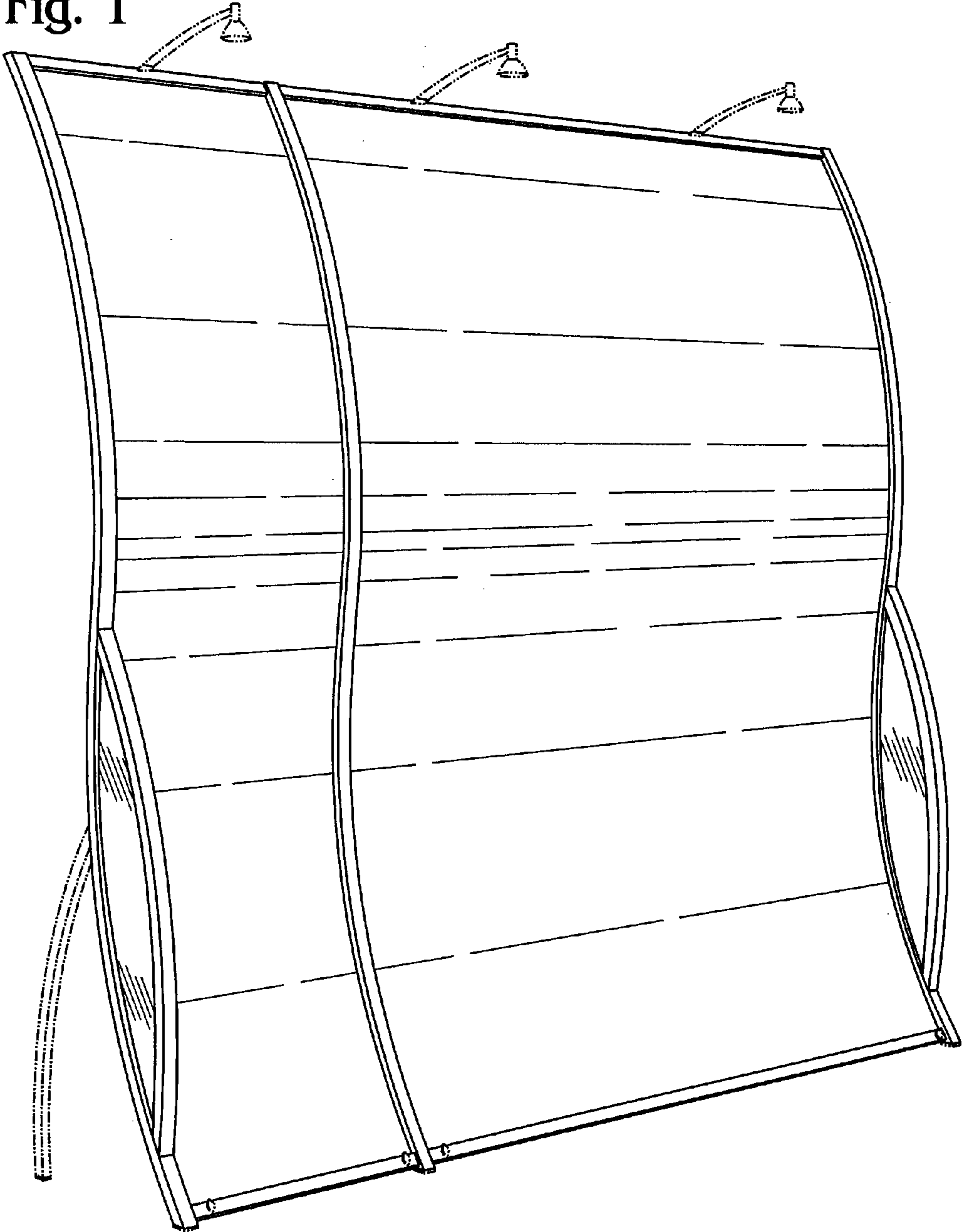


Fig. 2

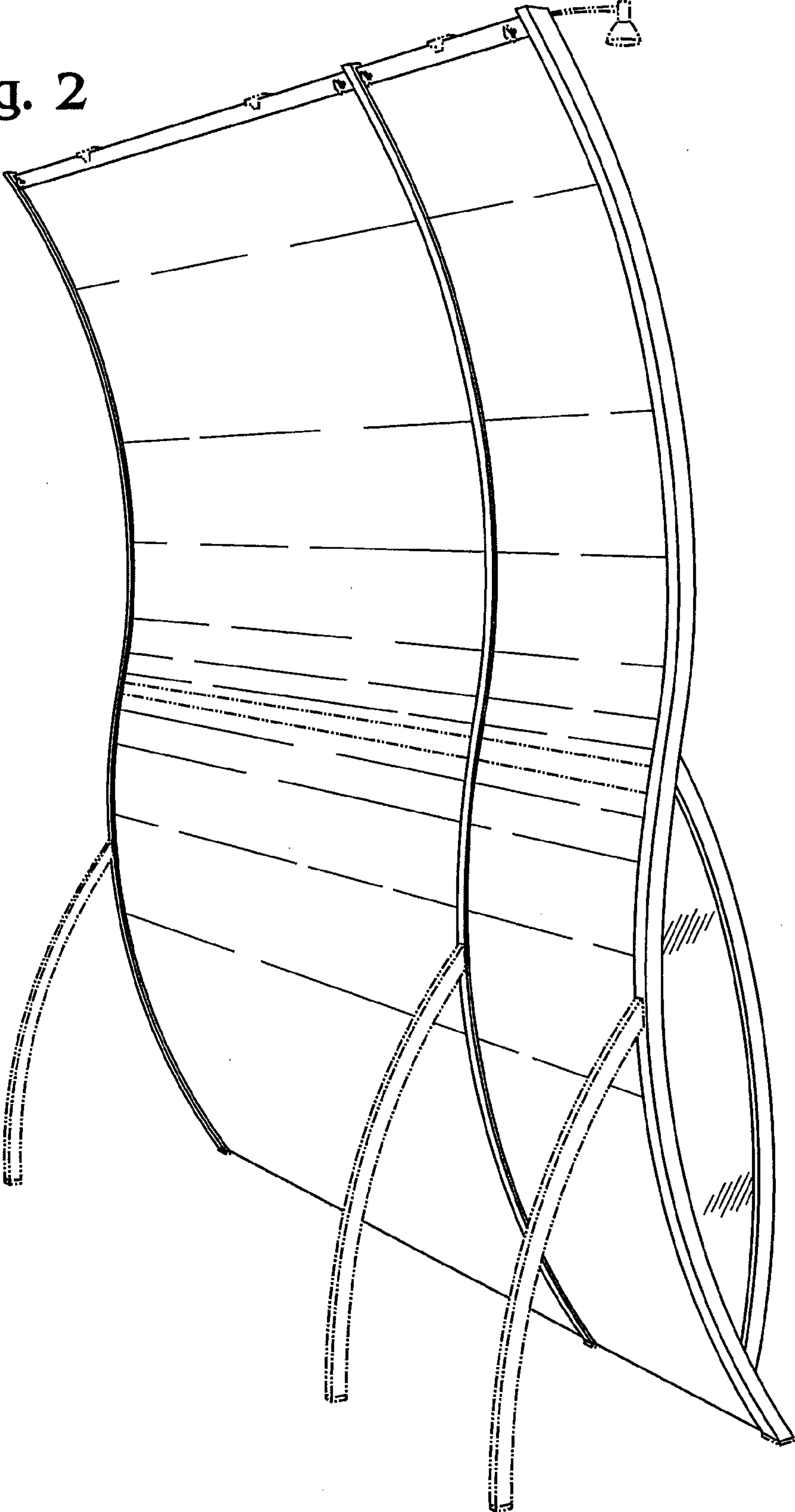


Fig. 3

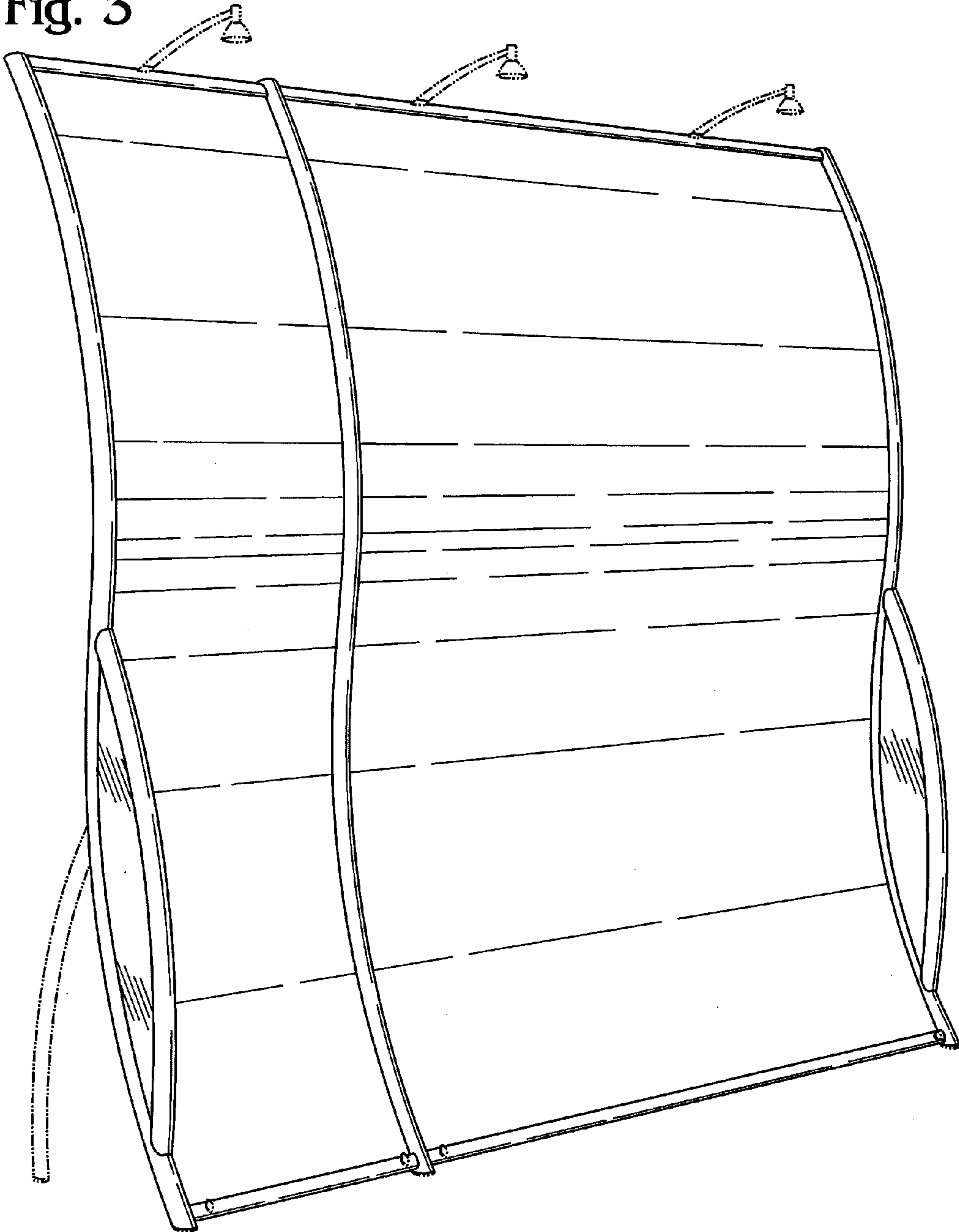


Fig. 4

