

US00D599118S

(12) **United States Design Patent**  
**Perkins et al.**

(10) **Patent No.:** **US D599,118 S**  
(45) **Date of Patent:** **\*\* Sep. 1, 2009**

(54) **INFLATABLE PACKING MATERIAL**

3,938,298 A 2/1976 Luhman et al.  
3,991,246 A \* 11/1976 Schneider ..... 428/195.1  
4,017,351 A 4/1977 Larson et al.

(75) Inventors: **Andrew Perkins**, Berkeley, CA (US);  
**Roderick R. Alire**, Fremont, CA (US)

(Continued)

(73) Assignee: **Free-Flow Packaging International, Inc.**, Redwood City, CA (US)

**FOREIGN PATENT DOCUMENTS**

(\*\*) Term: **14 Years**

GB 2029363 A \* 3/1980

(21) Appl. No.: **29/295,924**

*Primary Examiner*—T. Chase Nelson

*Assistant Examiner*—Karen Acker

(22) Filed: **Oct. 10, 2007**

(74) *Attorney, Agent, or Firm*—Edward S. Wright

(51) **LOC (9) Cl.** ..... **05-05**

(52) **U.S. Cl.** ..... **D5/53; D9/456**

(58) **Field of Classification Search** ..... D5/1-8,  
D5/11, 12, 15, 18, 19, 20, 23-26, 30, 32,  
D5/33, 35, 39, 41, 43, 45, 47-54, 56, 57,  
D5/59-66, 99; D6/582, 583, 595, 596, 598,  
D6/603-606, 608, 613, 616, 617, 619, 622;  
D24/124-126; D25/142, 152; 5/413 AM,  
5/709; 139/416, 417, 424; 156/148, 209;  
428/17, 18, 154, 156, 171, 178, 187, 198,  
428/199, 542.2, 542.6, 190, 904.4, 919; 604/378,  
604/380, 385.101; 52/311.1-311.3

(57) **CLAIM**

The ornamental design for an inflatable packing material, as shown and described.

See application file for complete search history.

**DESCRIPTION**

(56) **References Cited**

**U.S. PATENT DOCUMENTS**

754,329 A \* 3/1904 Milliken ..... 5/722  
2,596,547 A \* 5/1952 Guest ..... 5/502  
3,092,249 A \* 6/1963 Chapman ..... 206/210  
3,294,387 A 12/1966 Chavannes  
3,389,534 A 6/1968 Pendleton  
3,505,695 A \* 4/1970 Bishaf et al. .... 137/228  
3,554,135 A \* 1/1971 Duvall et al. .... 410/119  
D220,314 S 3/1971 Dunton, Jr.  
3,575,757 A 4/1971 Smith  
D226,759 S 4/1973 Boyd  
3,817,803 A 6/1974 Horsky  
3,867,236 A \* 2/1975 O'Link ..... 428/51  
3,868,285 A 2/1975 Troy

FIG. 1 is a left front isometric view of one embodiment of an inflatable packing material showing my new design;

FIG. 2 is a top plan view thereof, the bottom being a mirror image of the top.

FIG. 3 is a left front isometric view of the embodiment of FIG. 1, showing the inflatable packing material in an inflated condition;

FIG. 4 is a top plan view thereof, the bottom being a mirror image of the top;

FIG. 5 is a front elevational view thereof;

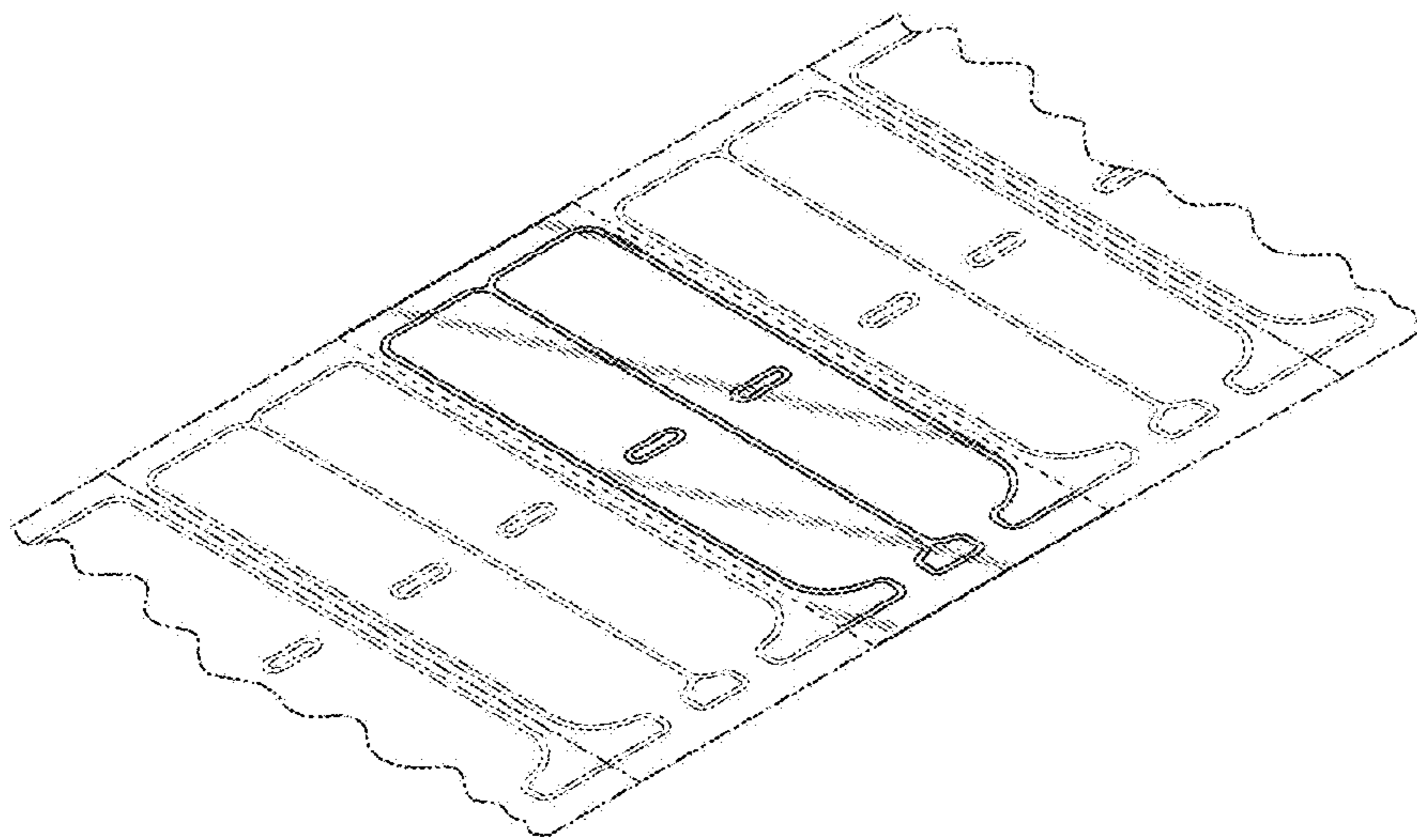
FIG. 6 is a rear elevational view thereof; and,

FIG. 7 is a right side elevational view thereof, the left side being a mirror image of the right side.

The lines drawn with short evenly spaced dashes represent perforations and are part of the claimed design.

The broken lines drawn as alternating long and short dashes in the drawings depict portions of the inflatable packing material that are not part of the claim. The broken lines and the structures and features they depict form no part of the claimed design.

**1 Claim, 5 Drawing Sheets**



# US D599,118 S

Page 2

## U.S. PATENT DOCUMENTS

4,096,306	A	6/1978	Larson				
4,169,002	A	9/1979	Larson				
4,287,250	A	9/1981	Rudy				
D276,487	S *	11/1984	Kao	.....	D6/596		
4,551,379	A	11/1985	Kerr				
4,666,207	A *	5/1987	Quartano	.....	297/229		
4,793,123	A	12/1988	Pharo				
4,874,093	A	10/1989	Pharo				
5,216,868	A	6/1993	Cooper et al.				
D341,983	S *	12/1993	Wang	.....	D6/604		
5,340,632	A	8/1994	Chappuis				
5,351,828	A *	10/1994	Becker et al.	.....	206/522		
5,351,829	A *	10/1994	Batsford	.....	206/522		
D353,072	S *	12/1994	Cornell et al.	.....	D6/596		
5,427,830	A *	6/1995	Pharo	.....	428/35.2		
5,445,274	A	8/1995	Pharo				
5,581,983	A	12/1996	Murakami				
5,588,533	A *	12/1996	Farison et al.	.....	206/522		
D381,544	S *	7/1997	Pekar	.....	D6/604		
5,824,392	A	10/1998	Gotoh et al.				
5,826,723	A *	10/1998	Jaszai	.....	206/522		
5,873,215	A	2/1999	Aquarius et al.				
5,901,393	A	5/1999	Pepe et al.				
5,937,614	A	8/1999	Watkins et al.				
5,994,614	A *	11/1999	Wada et al.	.....	604/378		
RE36,501	E	1/2000	Hoover				
6,015,047	A	1/2000	Greenland				
6,122,785	A *	9/2000	Bondie et al.	.....	5/709		
6,209,286	B1	4/2001	Perkins et al.				
6,410,119	B1	6/2002	De Luca et al.				
6,423,166	B1	7/2002	Simhaee				
6,451,397	B1 *	9/2002	Hagen	.....	428/40.1		
6,489,006	B1 *	12/2002	Keshavaraj	.....	428/125		
6,565,946	B2	5/2003	Perkins et al.				
6,582,800	B2 *	6/2003	Fuss et al.	.....	428/178		
D480,646	S *	10/2003	Borchard et al.	.....	D9/456		
D480,971	S	10/2003	DeLuca et al.				
6,659,150	B1 *	12/2003	Perkins et al.	.....	156/378		
D490,711	S *	6/2004	DeLuca et al.	.....	D9/456		
D512,311	S *	12/2005	DeLuca et al.	.....	D9/456		
D513,182	S *	12/2005	DeLuca et al.	.....	D9/456		
7,090,912	B2 *	8/2006	Perkins et al.	.....	428/166		
D529,747	S *	10/2006	Gilchrest et al.	.....	D6/606		
7,297,387	B2 *	11/2007	Koyanagi	.....	428/166		
7,361,397	B2 *	4/2008	Perkins et al.	.....	428/166		
2006/0110581	A1 *	5/2006	Perkins et al.	.....	428/178		

\* cited by examiner

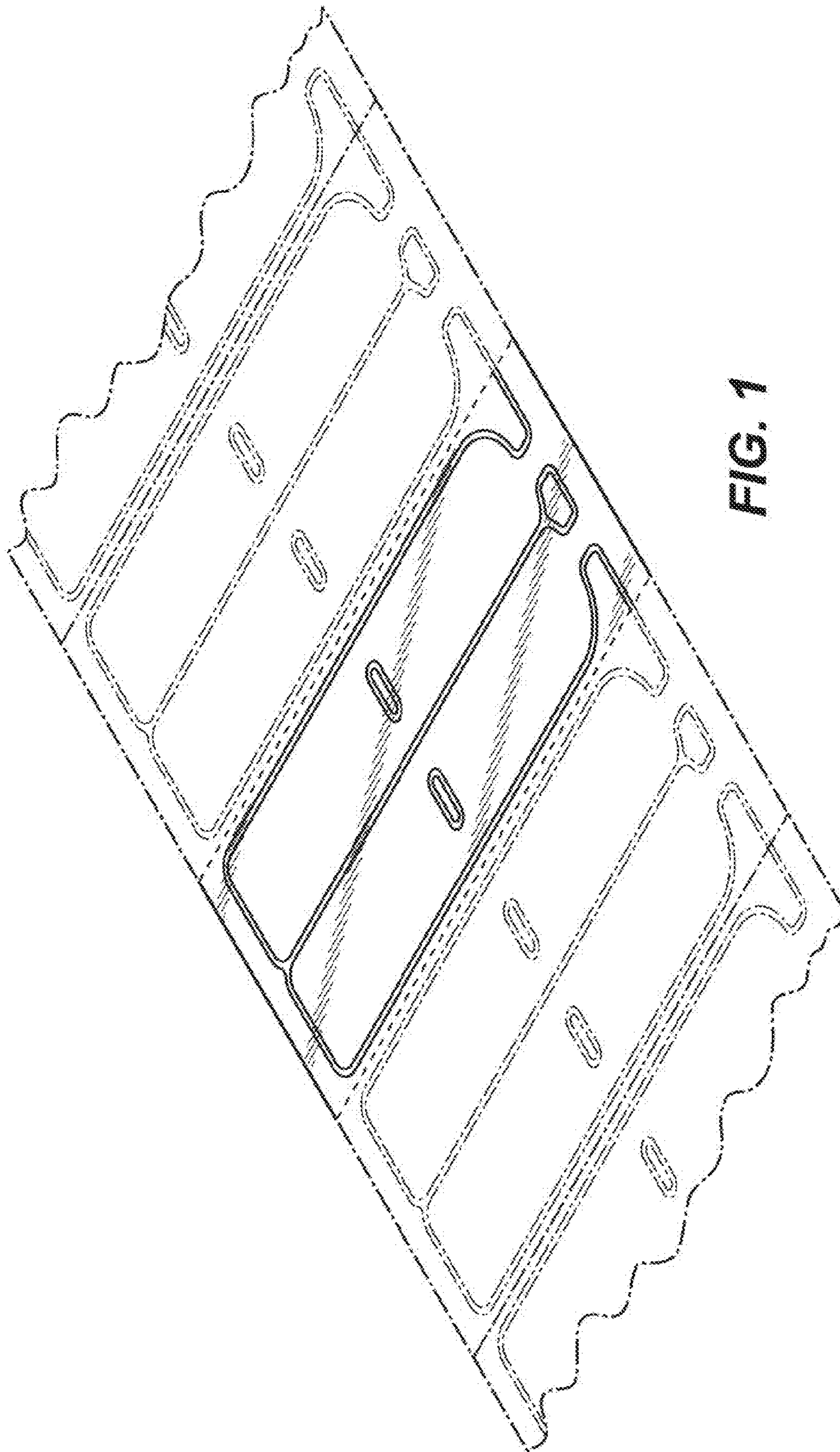


FIG. 1

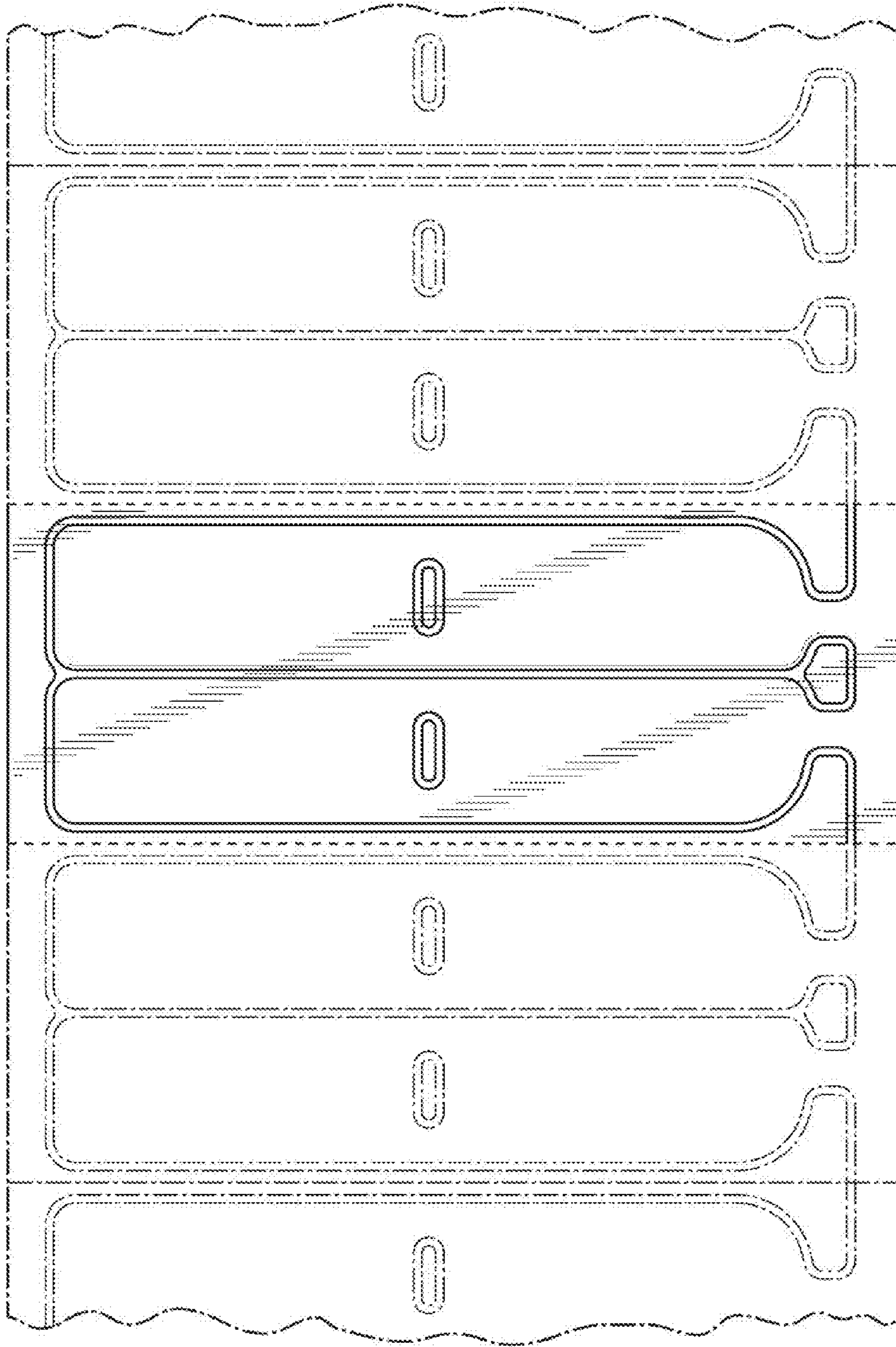


FIG. 2

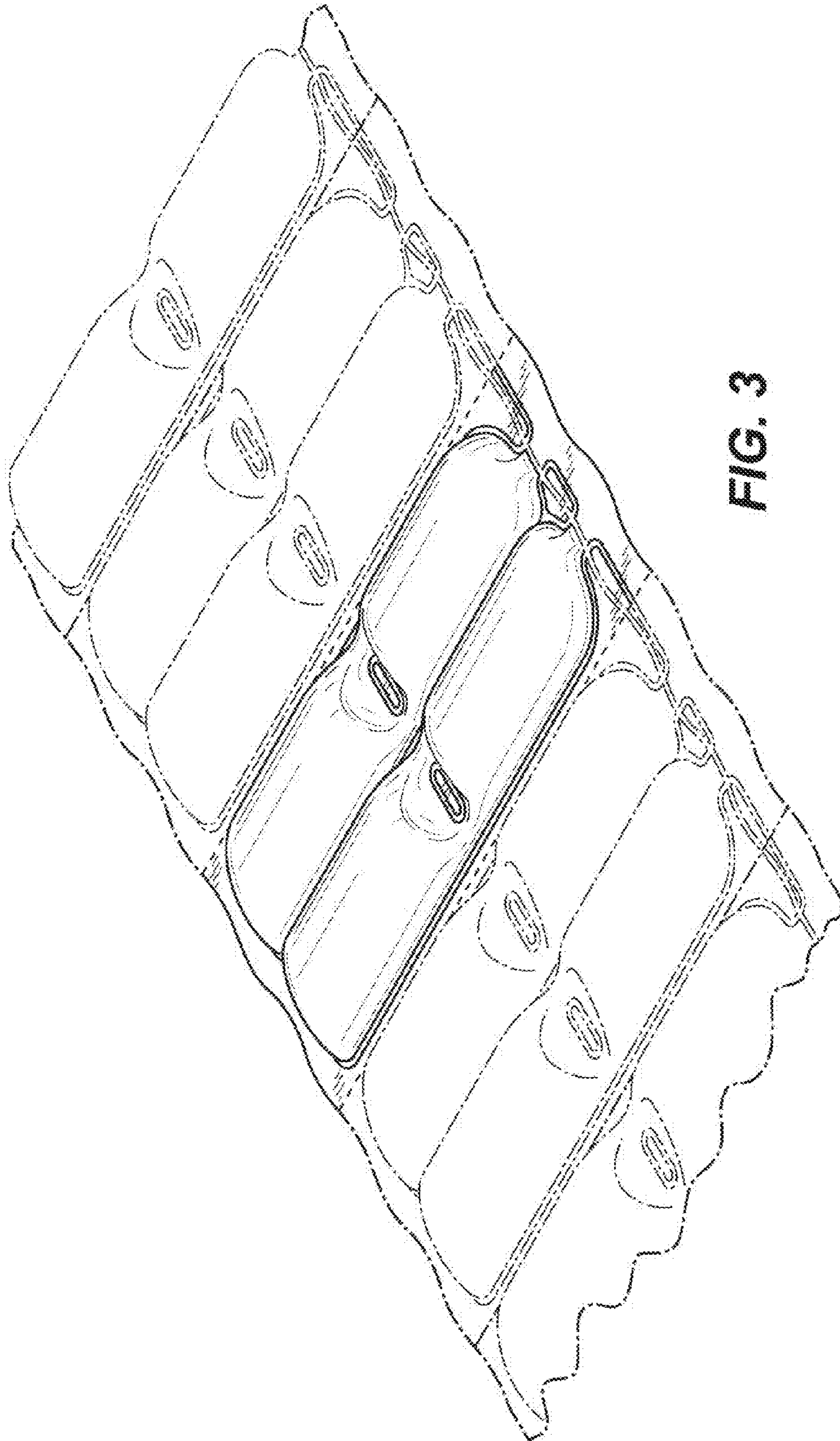


FIG. 3

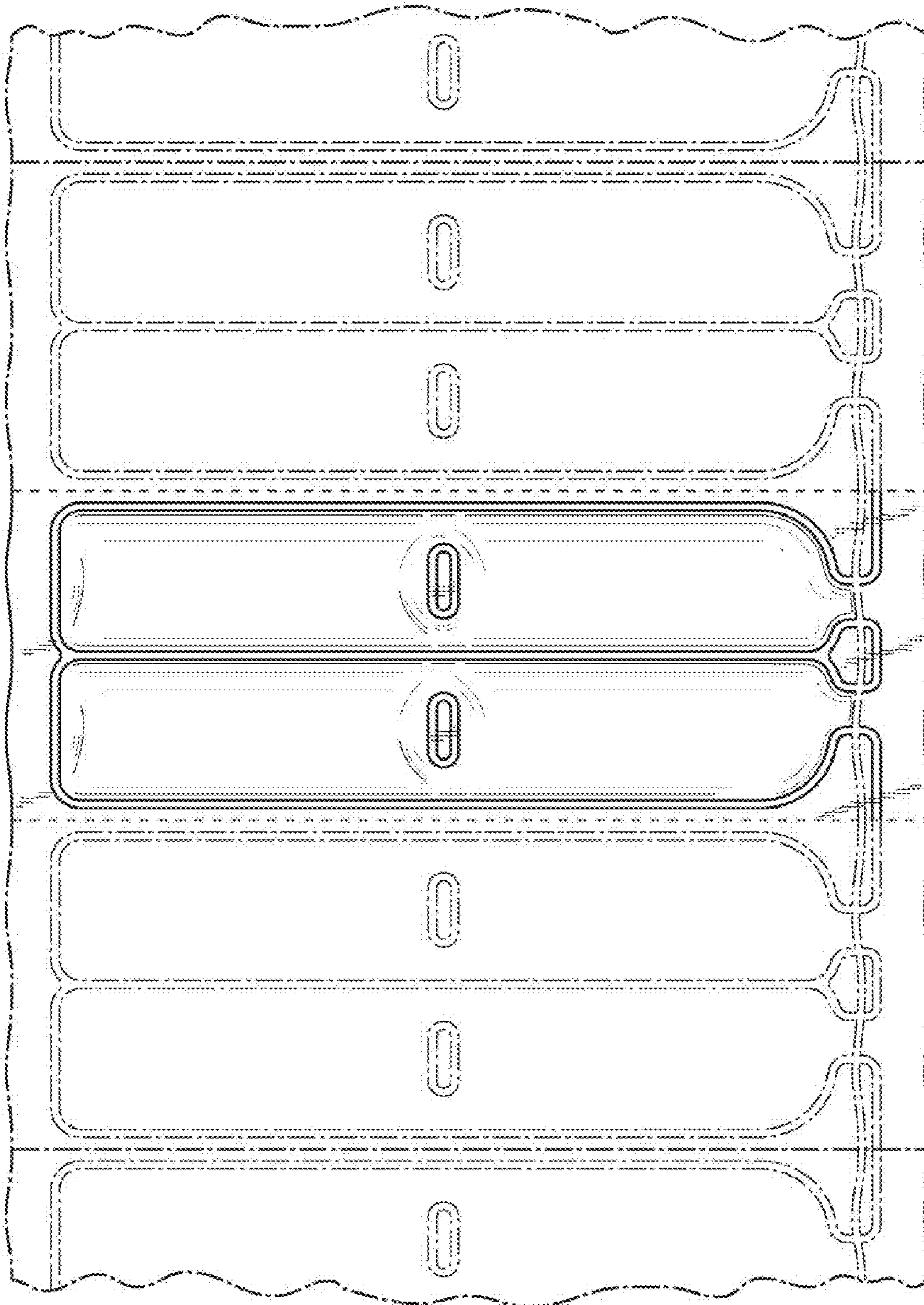
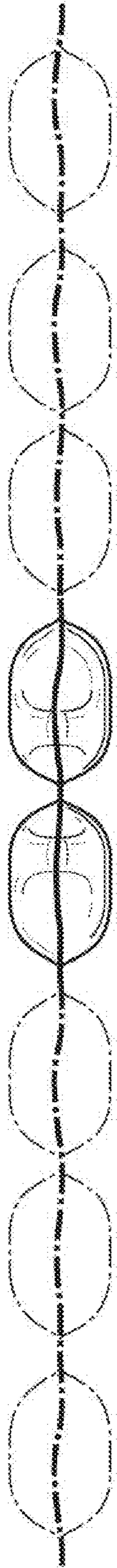
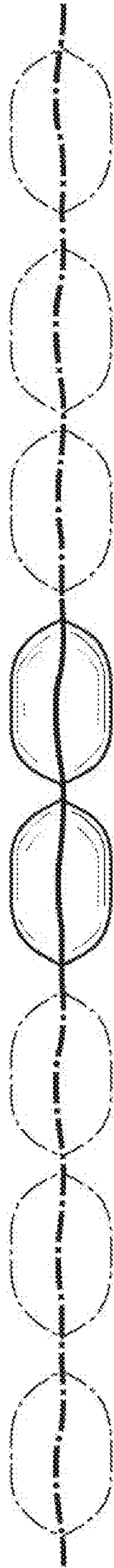


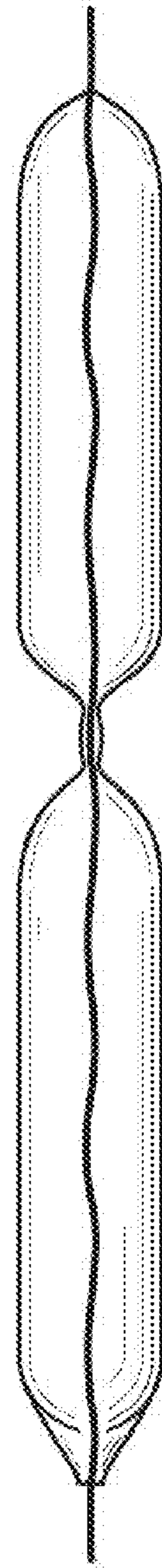
FIG. 4



**FIG. 5**



**FIG. 6**



**FIG. 7**