



US00D599112S

(12) **United States Design Patent**  
**Wenchel et al.**

(10) **Patent No.:** **US D599,112 S**  
(45) **Date of Patent:** **\*\* Sep. 1, 2009**

(54) **TOOL STORAGE CASE**  
(75) Inventors: **Lauren M. Wenchel**, Bel Air, MD (US);  
**Gabriel E. Concari**, Eldersburg, MD  
(US)  
(73) Assignee: **Black & Decker Inc.**, Newark, DE (US)  
(\*\*) Term: **14 Years**  
(21) Appl. No.: **29/319,052**  
(22) Filed: **Jun. 3, 2008**  
(51) **LOC (9) Cl.** ..... **03-01**  
(52) **U.S. Cl.** ..... **D3/294; D3/905**  
(58) **Field of Classification Search** ..... D3/201,  
D3/228, 273, 282–284, 286, 294–295, 315,  
D3/905; D9/424–426; D28/83; 206/349,  
206/372–377, 379

See application file for complete search history.

(56) **References Cited**

U.S. PATENT DOCUMENTS

D294,775 S \* 3/1988 Rechberg ..... D3/279  
4,884,689 A 12/1989 Su-Chin  
D328,189 S \* 7/1992 Hillinger ..... D3/282  
D343,731 S 2/1994 Tsumita  
D368,371 S 4/1996 Calmeise  
5,570,784 A 11/1996 Sidabras et al.  
D378,634 S \* 4/1997 LaPere ..... D3/273  
D390,357 S 2/1998 Rosen  
5,887,715 A 3/1999 Vasudeva  
D418,977 S \* 1/2000 Streich ..... D3/273  
D428,699 S \* 8/2000 Gibson et al. .... D3/282  
D429,884 S 8/2000 Zurwelle et al.  
D437,684 S \* 2/2001 Streich et al. .... D3/273  
D447,634 S \* 9/2001 Snider ..... D3/294  
D448,167 S \* 9/2001 Pangerc et al. .... D3/294  
6,405,864 B1 6/2002 Streich et al.  
6,523,687 B2 \* 2/2003 Ling ..... 206/378  
D473,713 S \* 4/2003 Chen ..... D3/282  
D475,853 S \* 6/2003 Chen ..... D3/294  
6,591,985 B2 \* 7/2003 Lai ..... 206/373  
D477,912 S \* 8/2003 Cunningham et al. .... D3/273  
D478,209 S 8/2003 Chen  
D482,869 S \* 12/2003 Chen ..... D3/282

D487,970 S 4/2004 Meier et al.  
D490,977 S \* 6/2004 Freeman ..... D3/273  
D496,793 S 10/2004 Pangerc et al.  
D505,549 S \* 5/2005 Hosking ..... D14/509  
D507,701 S \* 7/2005 Chen ..... D3/282  
6,994,214 B2 2/2006 Yang  
7,048,133 B2 5/2006 Pangerc et al.  
D523,242 S 6/2006 Hardigg et al.  
D529,289 S \* 10/2006 Roesler ..... D3/294  
D529,716 S \* 10/2006 Wang ..... D3/282  
D530,092 S \* 10/2006 Roesler ..... D3/294  
7,121,407 B2 10/2006 Hurt et al.  
7,237,688 B2 7/2007 Pangerc et al.  
D563,669 S 3/2008 Bosak et al.  
D563,671 S \* 3/2008 Cornwell et al. .... D3/294  
7,367,451 B2 5/2008 Pendergraph et al.  
D572,479 S \* 7/2008 Buck et al. .... D3/282  
D572,480 S \* 7/2008 Buck et al. .... D3/294  
2004/0188279 A1 \* 9/2004 Chen ..... 206/216  
2005/0029139 A1 2/2005 Chen

\* cited by examiner

*Primary Examiner*—Philip S Hyder  
*Assistant Examiner*—Roselynn Cody  
(74) *Attorney, Agent, or Firm*—Scott B. Markow

(57) **CLAIM**

The ornamental design for a tool storage case, as shown and described.

**DESCRIPTION**

FIG. 1 is a perspective view of the tool storage case in the closed position.

FIG. 2 is a front view thereof.

FIG. 3 is a back view thereof.

FIG. 4 is a left view thereof.

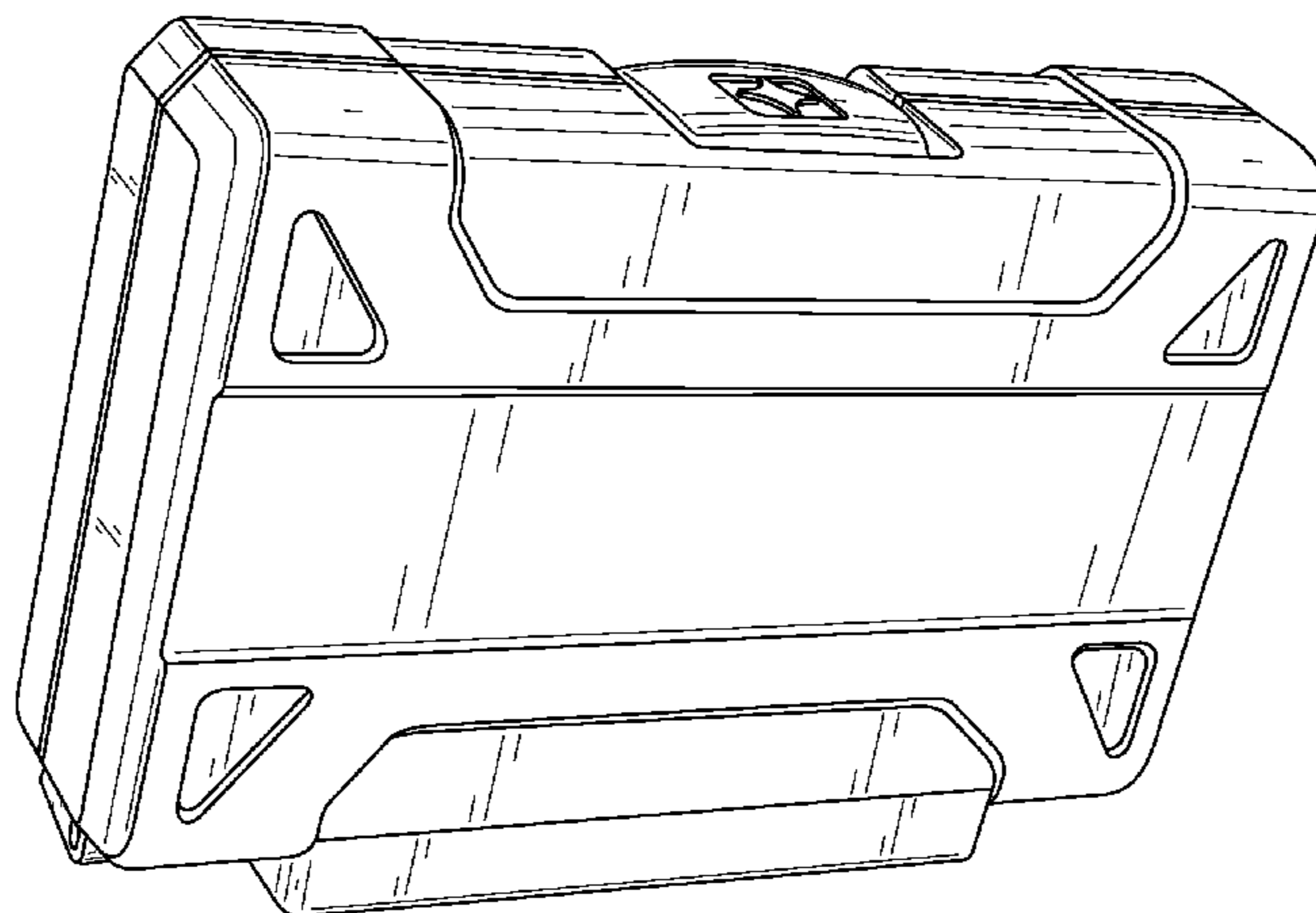
FIG. 5 is a right view thereof.

FIG. 6 is a top view thereof; and,

FIG. 7 is a bottom view thereof.

The features shown in broken lines illustrate environment and form no part of the claimed design.

**1 Claim, 4 Drawing Sheets**



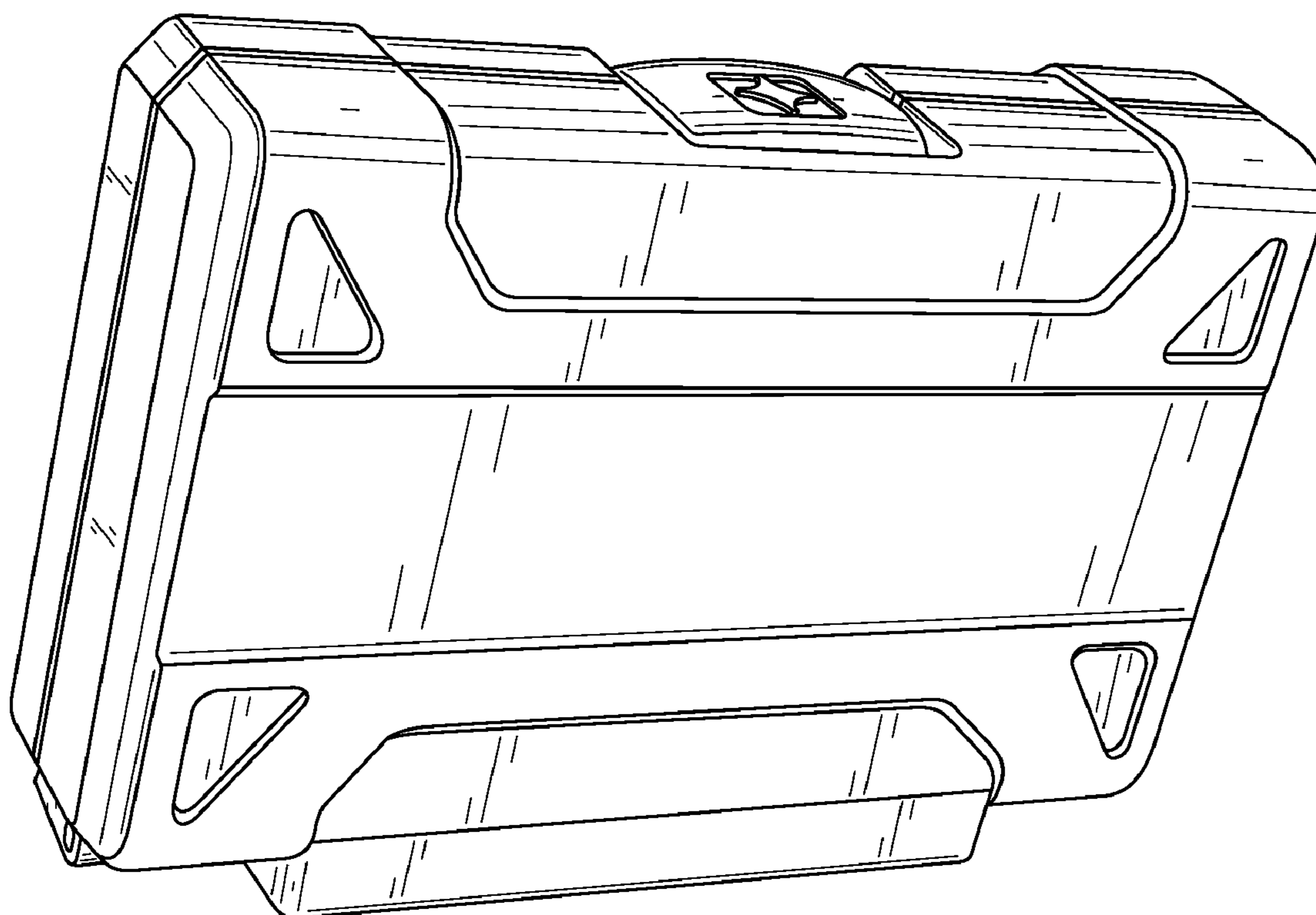


FIG. 1

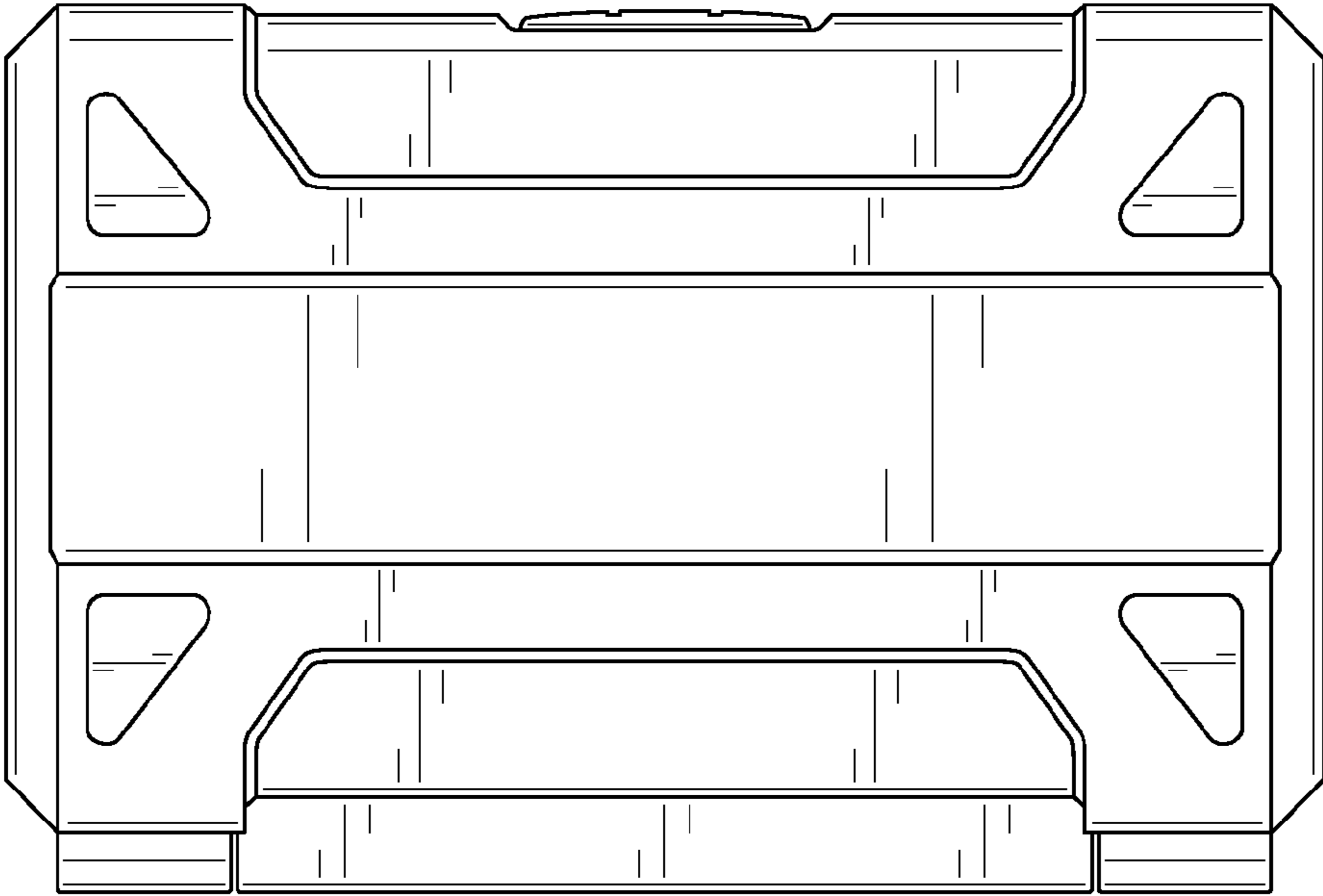


FIG. 2

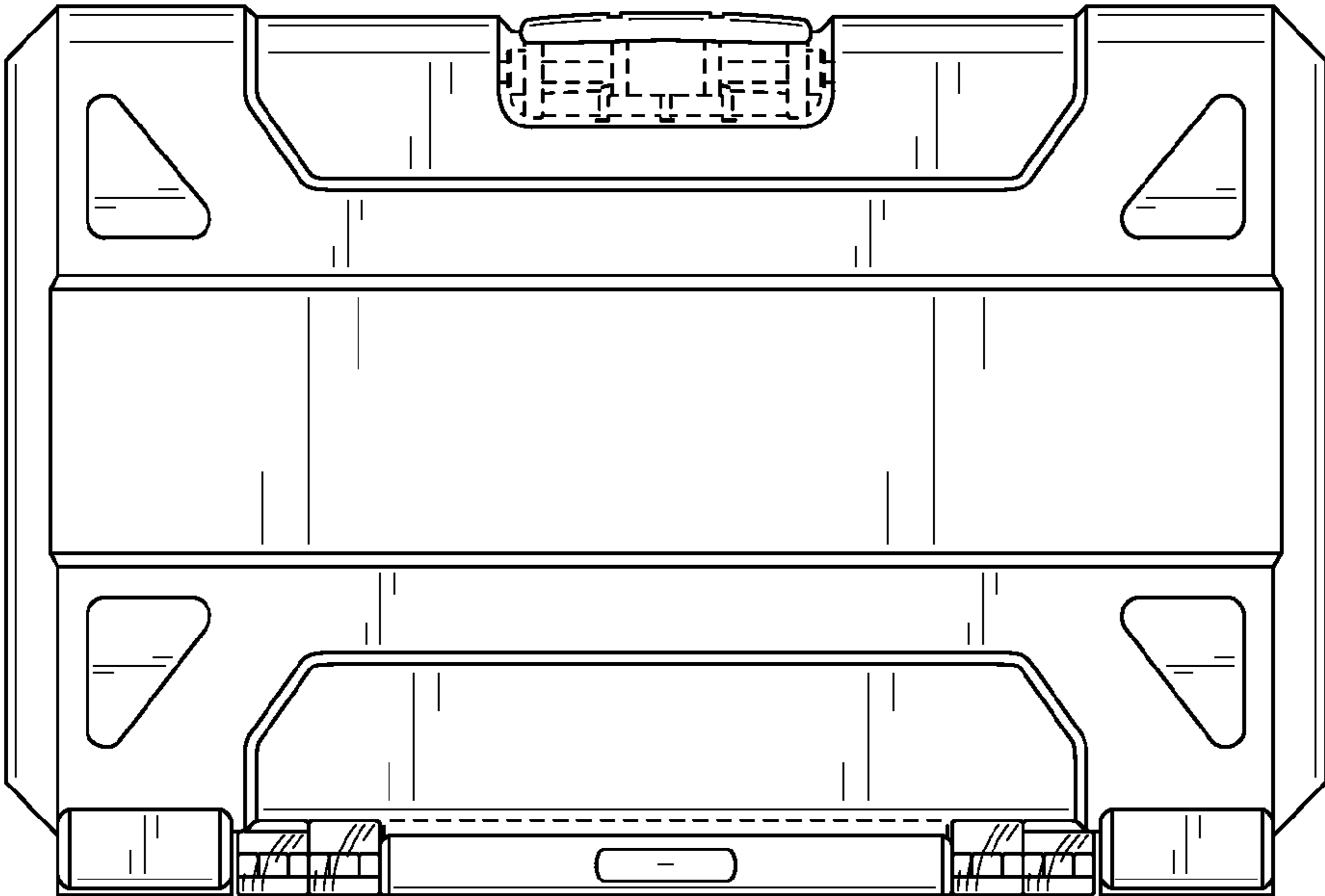


FIG. 3

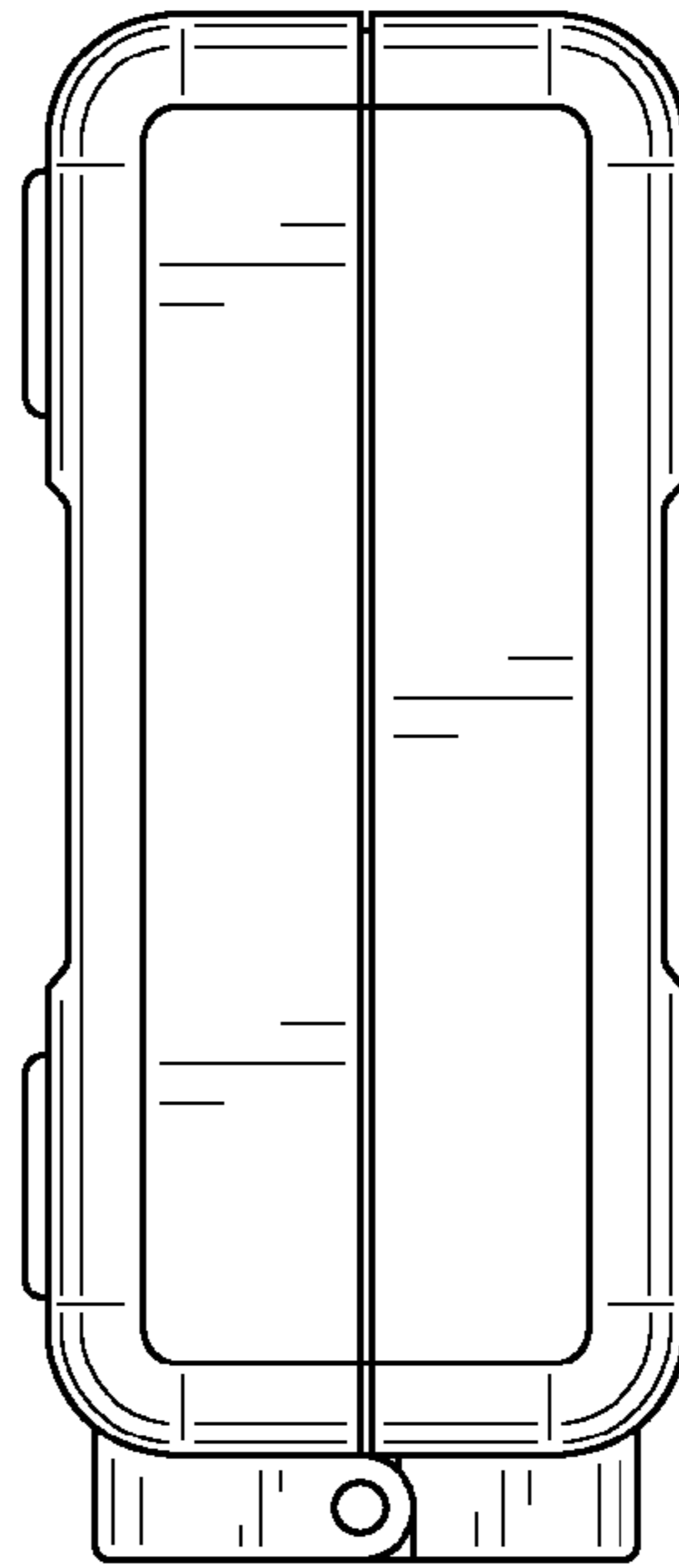


FIG. 4

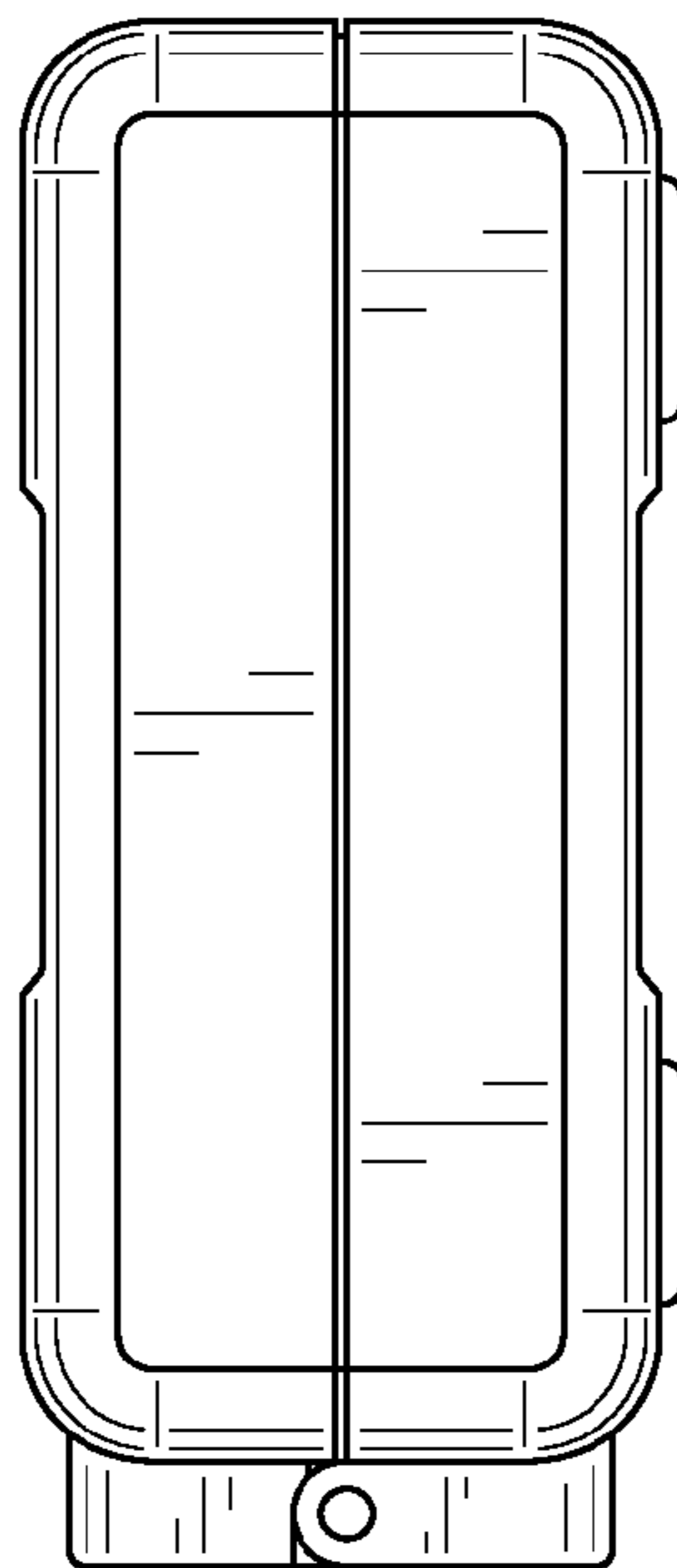


FIG. 5

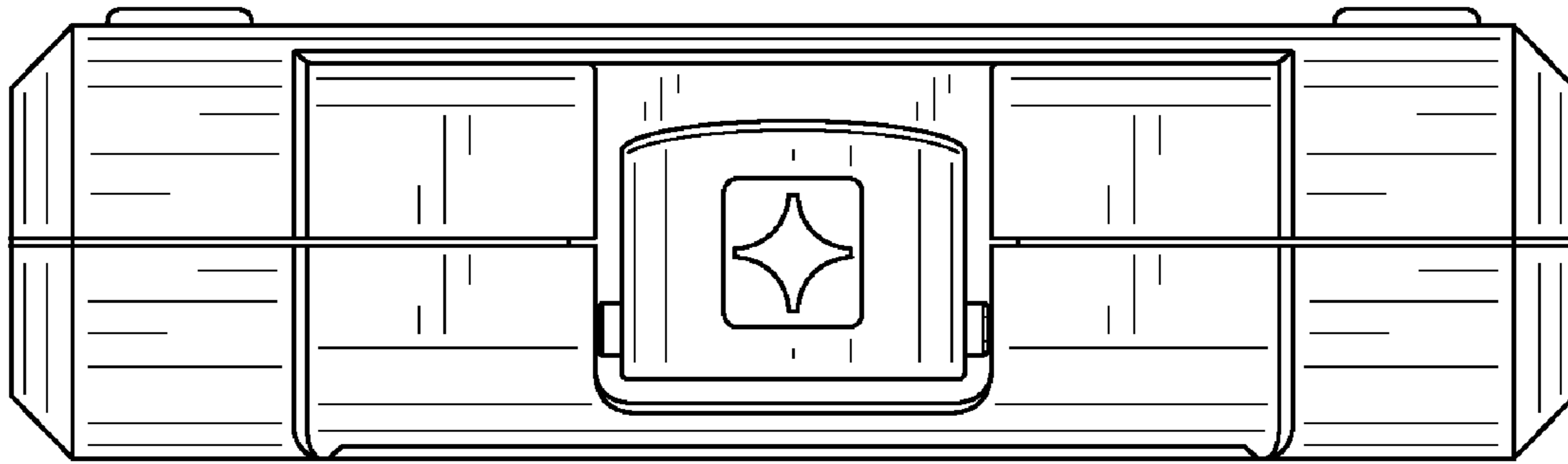


FIG. 6

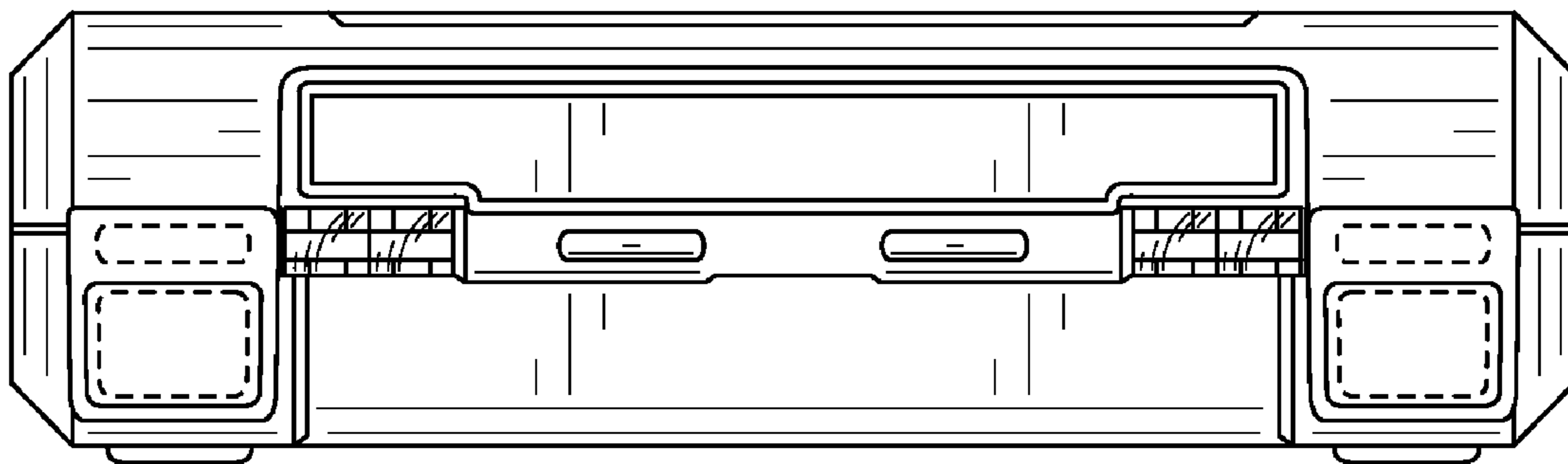


FIG. 7