



US00D599110S

(12) **United States Design Patent**
Shepherd

(10) **Patent No.:** **US D599,110 S**

(45) **Date of Patent:** **** Sep. 1, 2009**

(54) **CARRIER FOR SPORTS APPARATUS**

(76) **Inventor:** **Gary Shepherd**, 32 Ceda Park Road,
Enfield, Middlesex (GB) EN2 0HB

(**) **Term:** **14 Years**

(21) **Appl. No.:** **29/294,022**

(22) **Filed:** **Dec. 21, 2007**

(51) **LOC (9) Cl.** **03-01**

(52) **U.S. Cl.** **D3/254; D3/269**

(58) **Field of Classification Search** D3/254,
D3/260, 269, 293, 300, 302; D21/753-754;
206/315.1, 315.2, 315.11, 579; 473/563

See application file for complete search history.

(56) **References Cited**

U.S. PATENT DOCUMENTS

D226,407	S	*	2/1973	Doman	D3/260
4,154,274	A	*	5/1979	Adamson	206/315.2
D254,696	S	*	4/1980	Adams	D3/260
4,546,877	A	*	10/1985	Evans	206/315.11
D291,842	S	*	9/1987	Baumgardner	D3/254
D321,281	S	*	11/1991	Cooper	D3/260
5,249,723	A	*	10/1993	Lamadelein	224/257
D378,396	S	*	3/1997	Sandberg et al.	D22/134
5,758,767	A	*	6/1998	Hincher	206/315.1
D410,333	S	*	6/1999	Coca	D3/260
D453,622	S	*	2/2002	McClenahan et al.	D3/260
D458,747	S	*	6/2002	Hields et al.	D3/260
D478,726	S	*	8/2003	Masso et al.	D3/300
6,612,944	B1	*	9/2003	Bureau	473/563
D491,356	S	*	6/2004	Cameron et al.	D3/259
6,984,186	B2	*	1/2006	Bureau	473/563
D528,789	S	*	9/2006	Calhoun	D3/254
D541,046	S	*	4/2007	Roesler	D3/293
D564,278	S	*	3/2008	Villalobos	D7/300.2
2005/0263417	A1	*	12/2005	Pineiro et al.	206/315.1

* cited by examiner

Primary Examiner—Philip S Hyder
Assistant Examiner—Roselyne Cody

(74) *Attorney, Agent, or Firm*—Dickstein Shapiro LLP

(57) **CLAIM**

The ornamental design for a carrier for sports apparatus, as shown and described.

DESCRIPTION

FIG. 1 is a front perspective view of the carrier for sports apparatus of the present invention in a retracted state;

FIG. 2 is a front perspective view of the carrier for sports apparatus in an expanded state;

FIG. 3 is a left side view thereof;

FIG. 4 is a right side view thereof;

FIG. 5 is a back view thereof;

FIG. 6 is a front view thereof;

FIG. 7 is a top end view thereof;

FIG. 8 is a bottom end view thereof;

FIG. 9 is a left side view of the carrier for sports apparatus in a retracted state;

FIG. 10 is a right side view thereof;

FIG. 11 is a back view thereof;

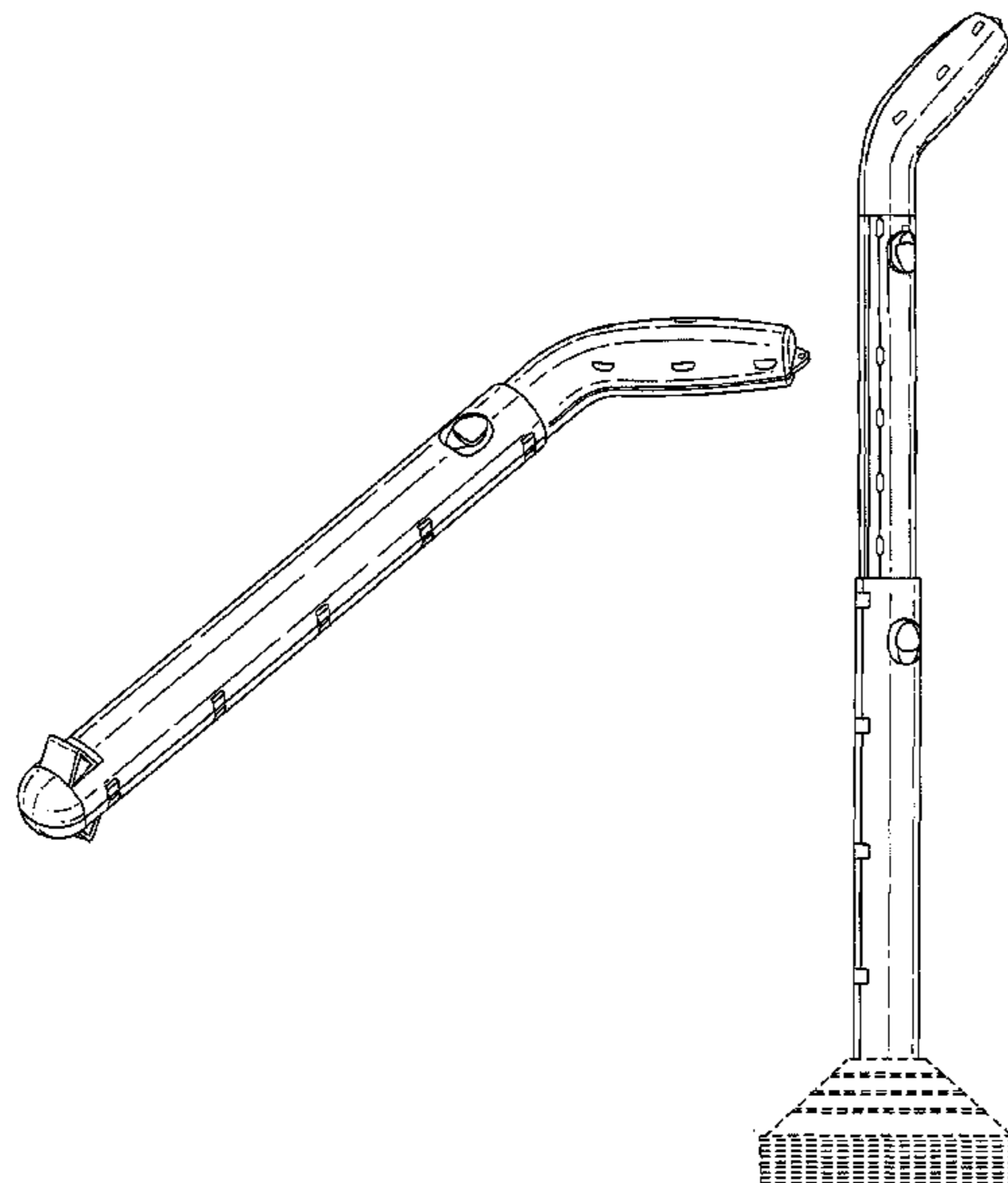
FIG. 12 is a front view thereof;

FIG. 13 is a top end view thereof;

FIG. 14 is a bottom end view thereof; and,

FIG. 15 is a front view of the carrier for sports apparatus in an expanded state, rotated slightly relative to the front view of FIG. 6, including a stack of sports cone markers held on the bottom end. The sports cone markers, shown in broken lines, are illustrative of environment and form no part of the claimed design.

1 Claim, 4 Drawing Sheets



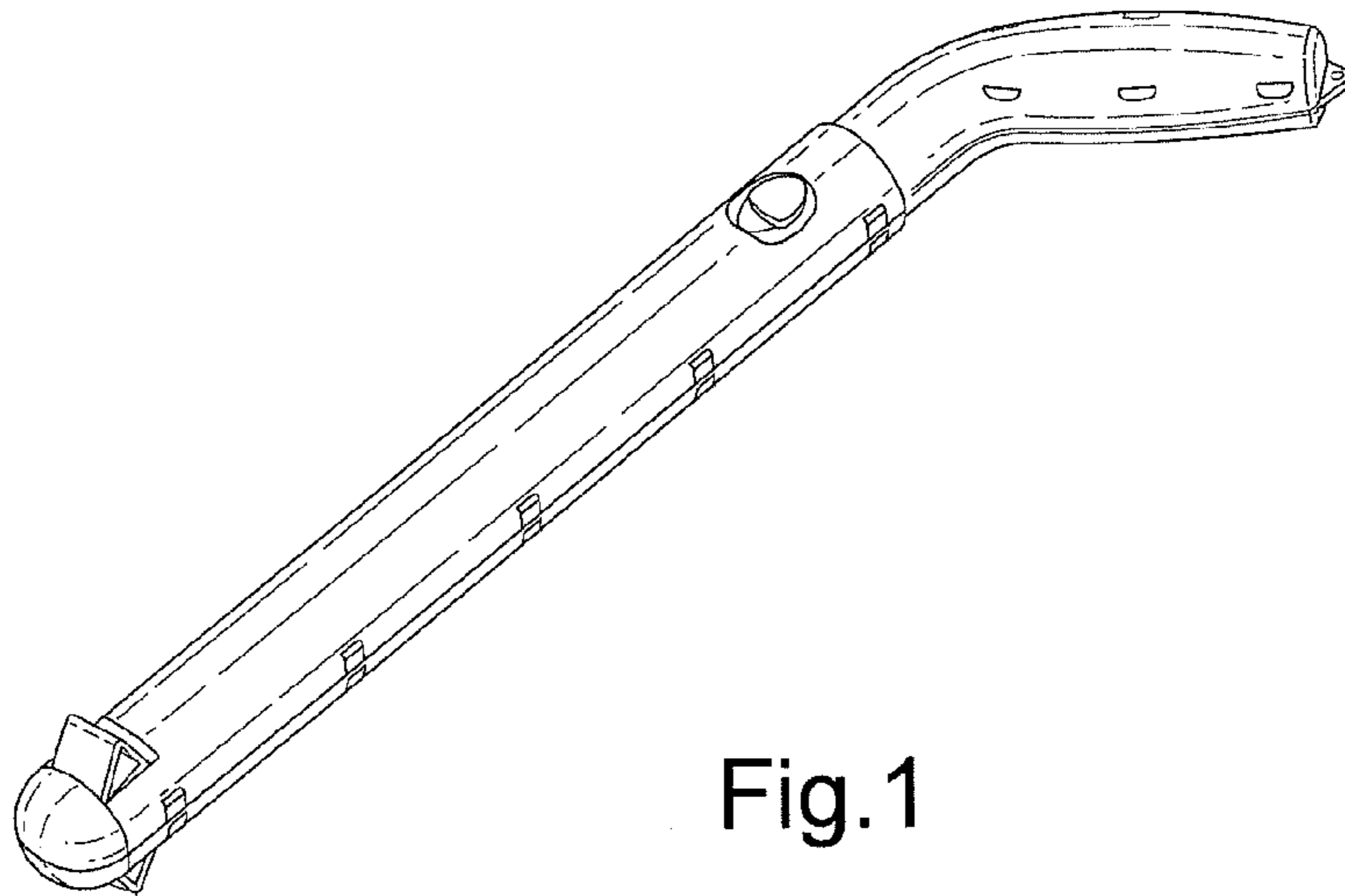


Fig.1

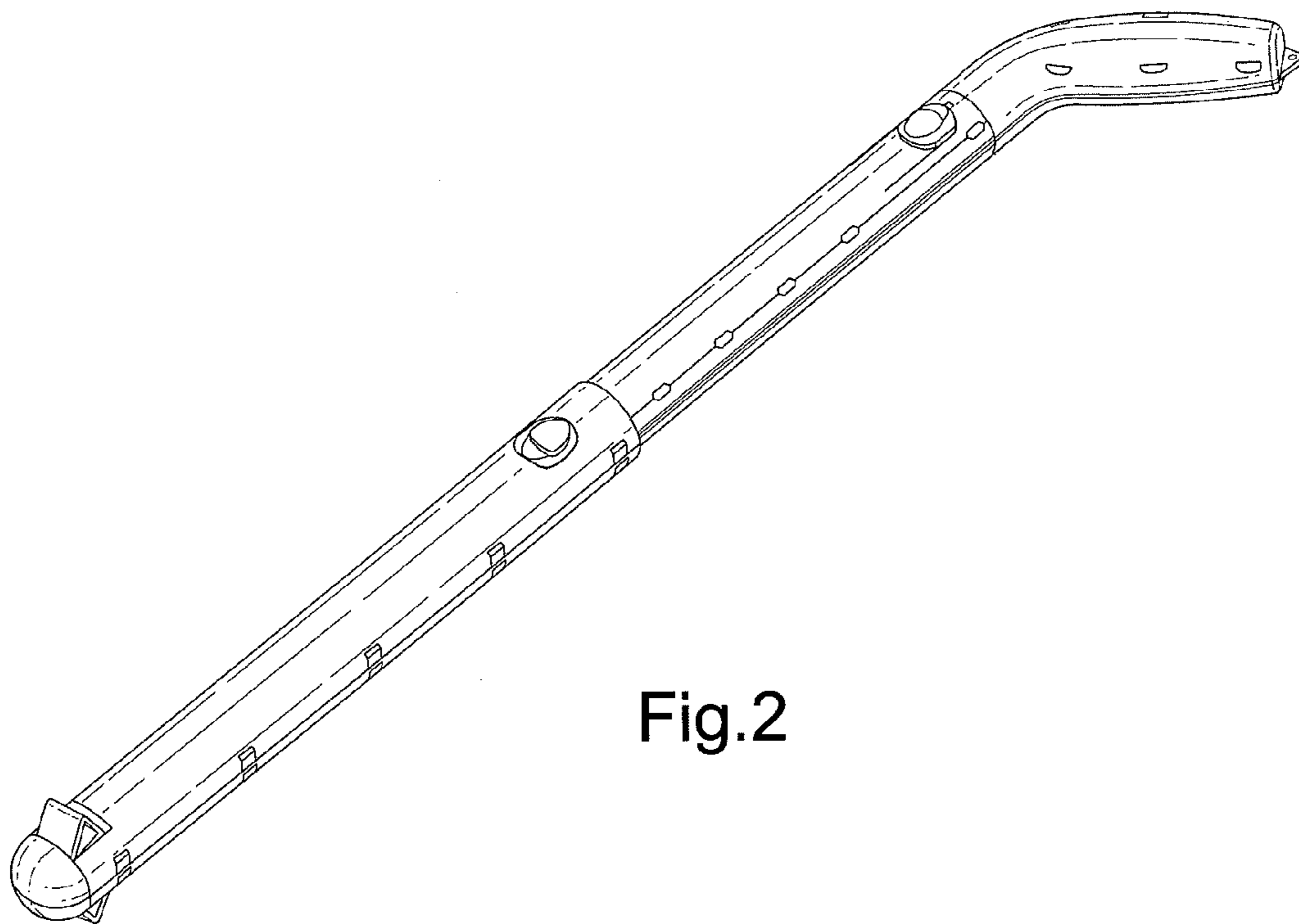


Fig.2

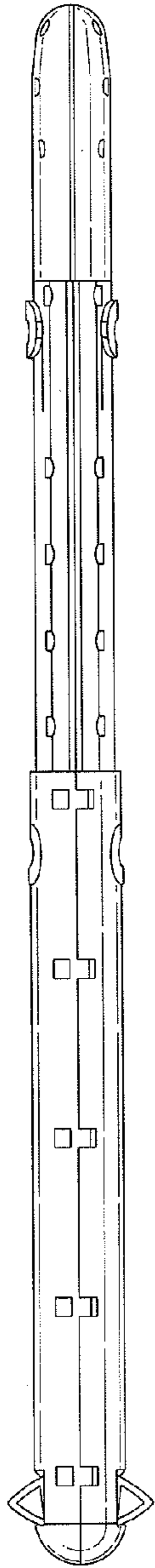


Fig.3

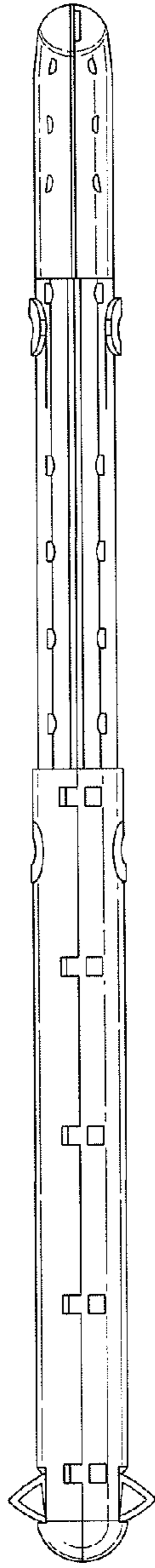


Fig.4

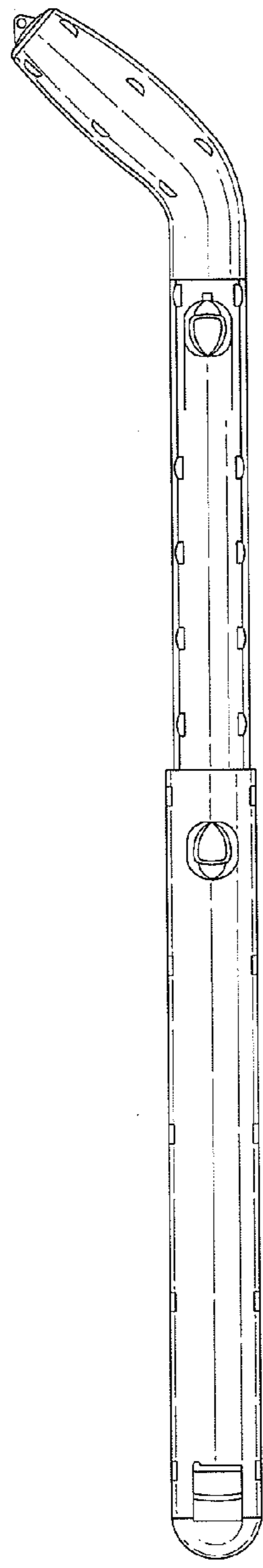


Fig.5

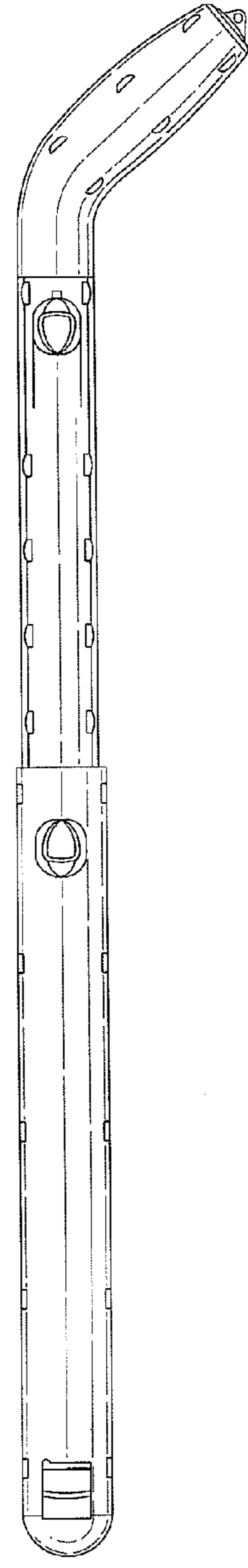


Fig.6

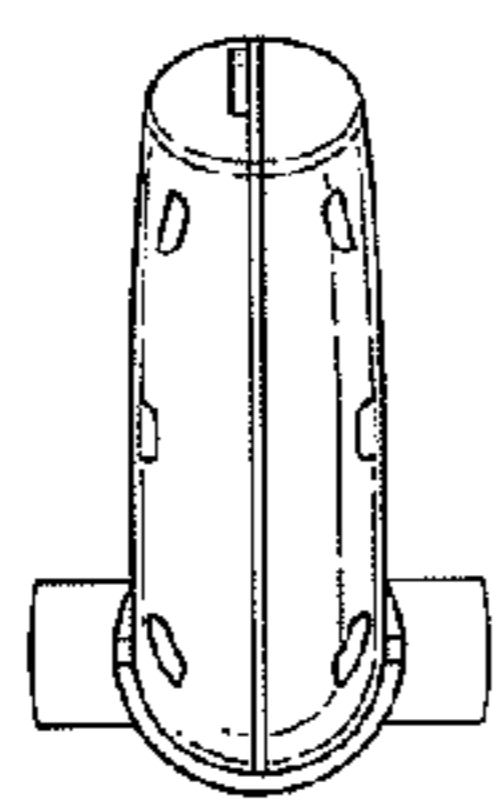


Fig.7

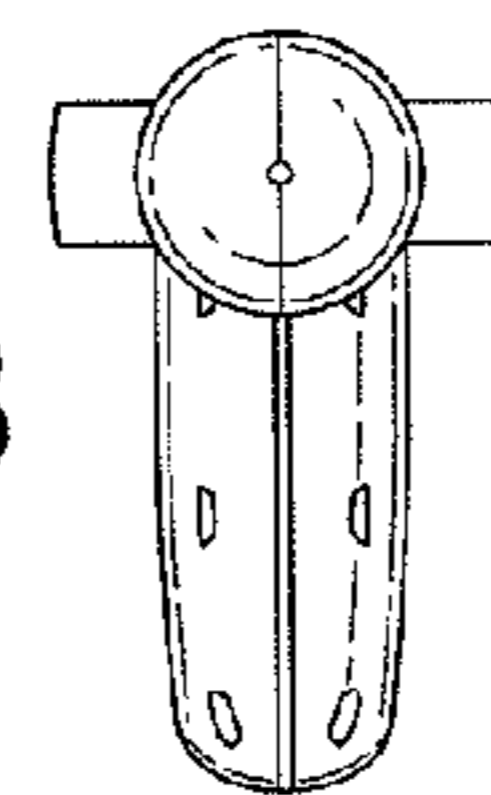


Fig.8

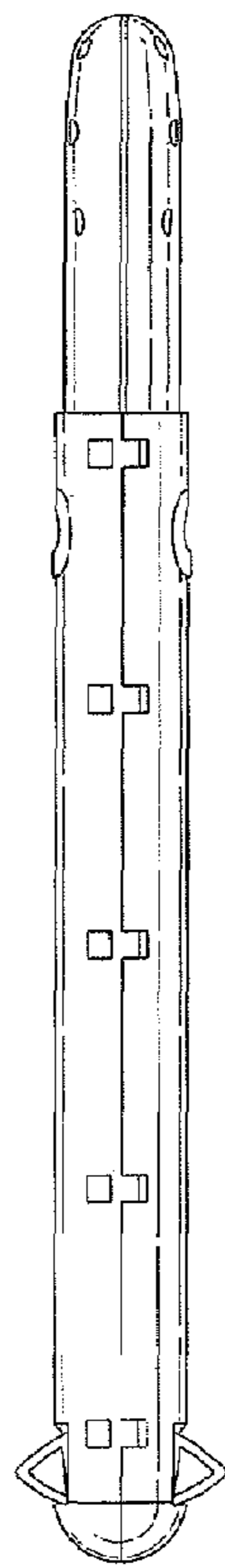


Fig.9

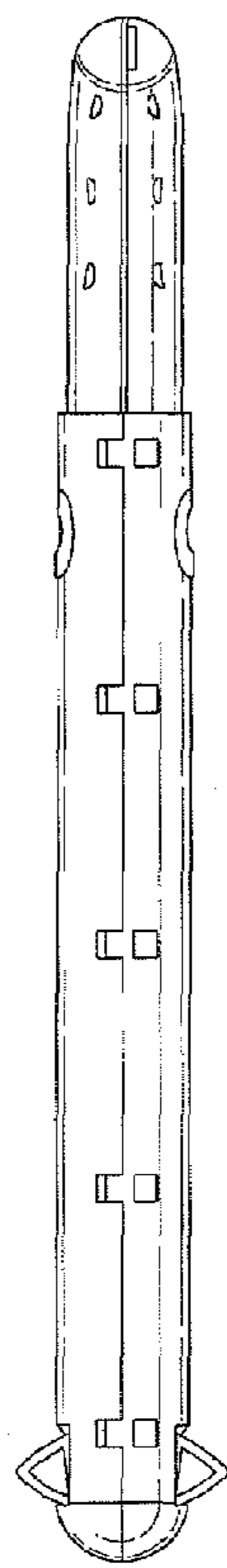


Fig.10

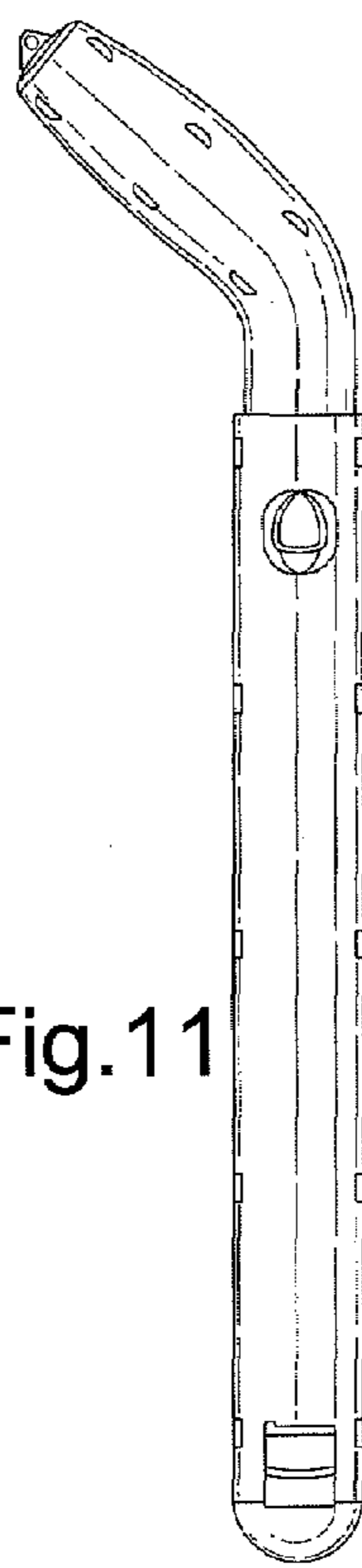


Fig.11

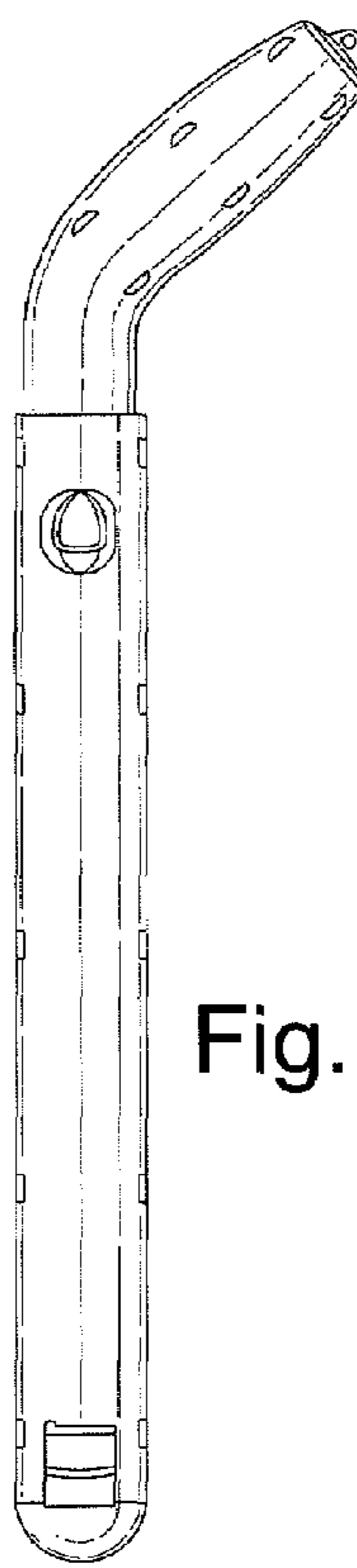


Fig.12

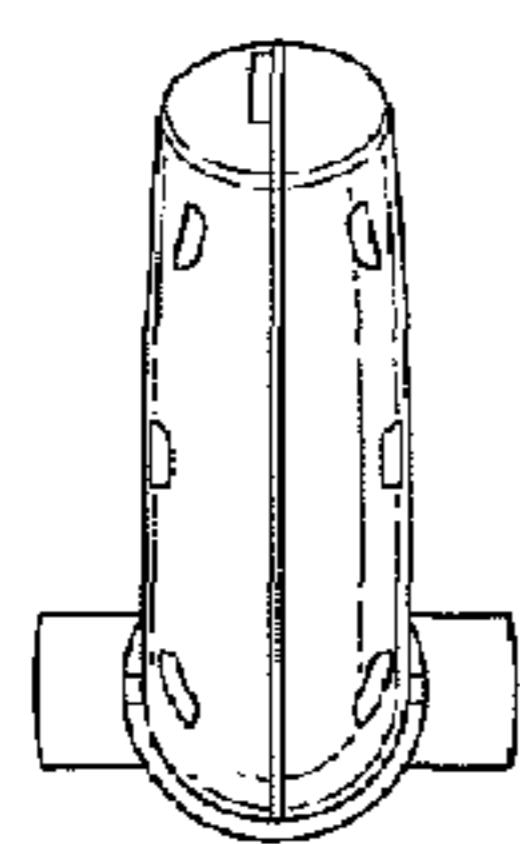


Fig.13

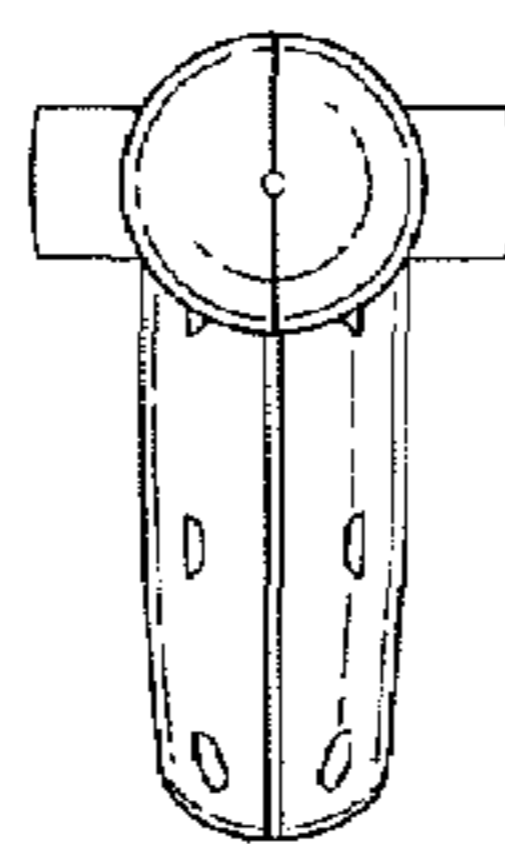


Fig.14

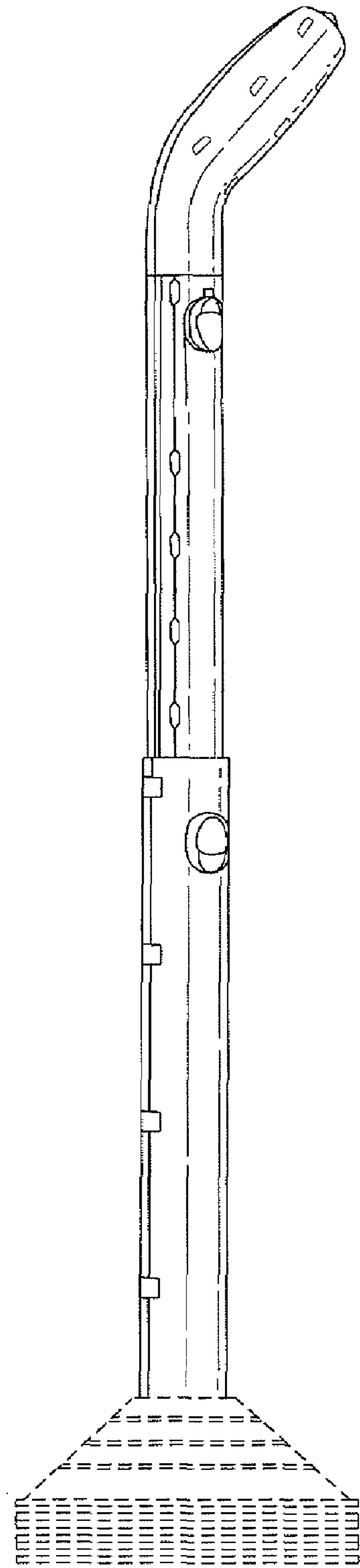


Fig.15