



US00D599108S

(12) **United States Design Patent**  
**Brandenburg**

(10) **Patent No.:** **US D599,108 S**  
(45) **Date of Patent:** **\*\* Sep. 1, 2009**

(54) **CASE FOR HOLDING A MUSIC PLAYER**

(57) **CLAIM**

(75) Inventor: **Kyle Brandenburg**, Hollywood, FL (US)

The ornamental design for a case for holding a music player, as shown and described.

(73) Assignee: **Marware, Inc**, Hollywood, FL (US)

**DESCRIPTION**

(\*\*) Term: **14 Years**

FIG. 1 is a perspective view of a case for holding a music player showing the new design;

(21) Appl. No.: **29/234,553**

FIG. 2 is a side perspective view shown in use;

(22) Filed: **Jul. 20, 2005**

FIG. 3 is a front view of a case for holding a music player;

(51) **LOC (9) Cl.** ..... **03-01**

FIG. 4 is a rear view of a case for holding a music player;

(52) **U.S. Cl.** ..... **D3/218**

FIG. 5 is a top view of a case for holding a music player;

(58) **Field of Classification Search** ..... D3/218,  
D3/215, 221, 224, 226, 219, 228; 224/219,  
224/222, 267, 666-667, 930, 221; D14/168,  
D14/189

FIG. 6 is a right side view of a case for holding a music player;

FIG. 7 is a left side view of a case for holding a music player;

FIG. 8 is a top view of a case for holding a music player in attachment process;

See application file for complete search history.

FIG. 9 is a front view of a case for holding a music player with alternate attachment mechanism. The strap goes through the loop and continues back around to attach the slit to the appropriate button;

(56) **References Cited**

**U.S. PATENT DOCUMENTS**

2,954,621	A *	10/1960	Mosher, Jr. et al.	.....	224/222
D239,324	S	3/1976	Vong		
D250,761	S	1/1979	Vong		
4,135,653	A	1/1979	Sieloff		
4,432,477	A	2/1984	Haidt et al.		
5,511,702	A	4/1996	Yang		
D392,904	S	3/1998	Takahashi et al.		
D472,373	S	4/2003	Hillman		
D506,058	S *	6/2005	Sexson	.....	D3/218
D529,280	S *	10/2006	Krieger et al.	.....	D3/218
D536,867	S *	2/2007	Sexson	.....	D3/218
D541,042	S *	4/2007	Andre et al.	.....	D3/218
2003/0019894	A1	1/2003	Caldana		
2003/0164389	A1 *	9/2003	Byers	.....	224/221
2004/0031830	A1	2/2004	Davis		
2004/0094584	A1	5/2004	Tabata		

FIG. 10 is a front view of a case for holding a music player with alternate attachment mechanism. The strap goes through the loop and continues back around to attach the two ends of the securing clip;

FIG. 11 is a front view of a case for holding a music player with alternate attachment mechanism. The strap goes through the loop and continues back around to attach the loop to the appropriate button.

FIG. 12 is a front view of a case for holding a music player with alternate attachment mechanism. The strap goes through the loop and continues back around to attach the two sides of the snaps; and,

FIG. 13 is a front view of a case for holding a music player with alternate attachment mechanism. The strap goes through the loop and continues back around until the buckle finds the appropriate hole for securing.

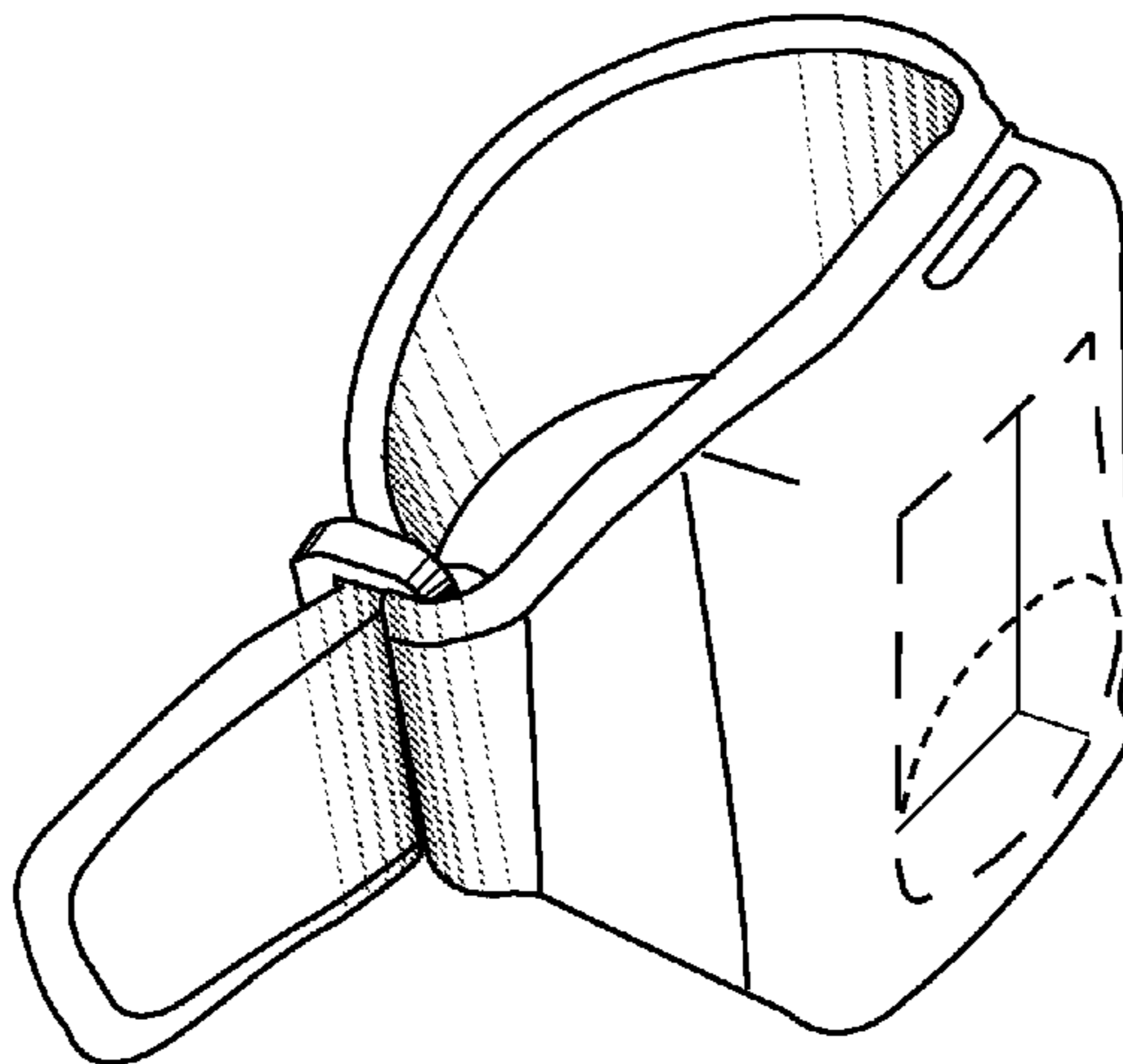
The broken lines contained in the Figures are for illustrative purposes only and form no part of the claimed design.

\* cited by examiner

*Primary Examiner*—Catherine R Oliver

(74) *Attorney, Agent, or Firm*—Laurence A. Greenberg;  
Werner H. Stemer; Ralph E. Locher

**1 Claim, 3 Drawing Sheets**



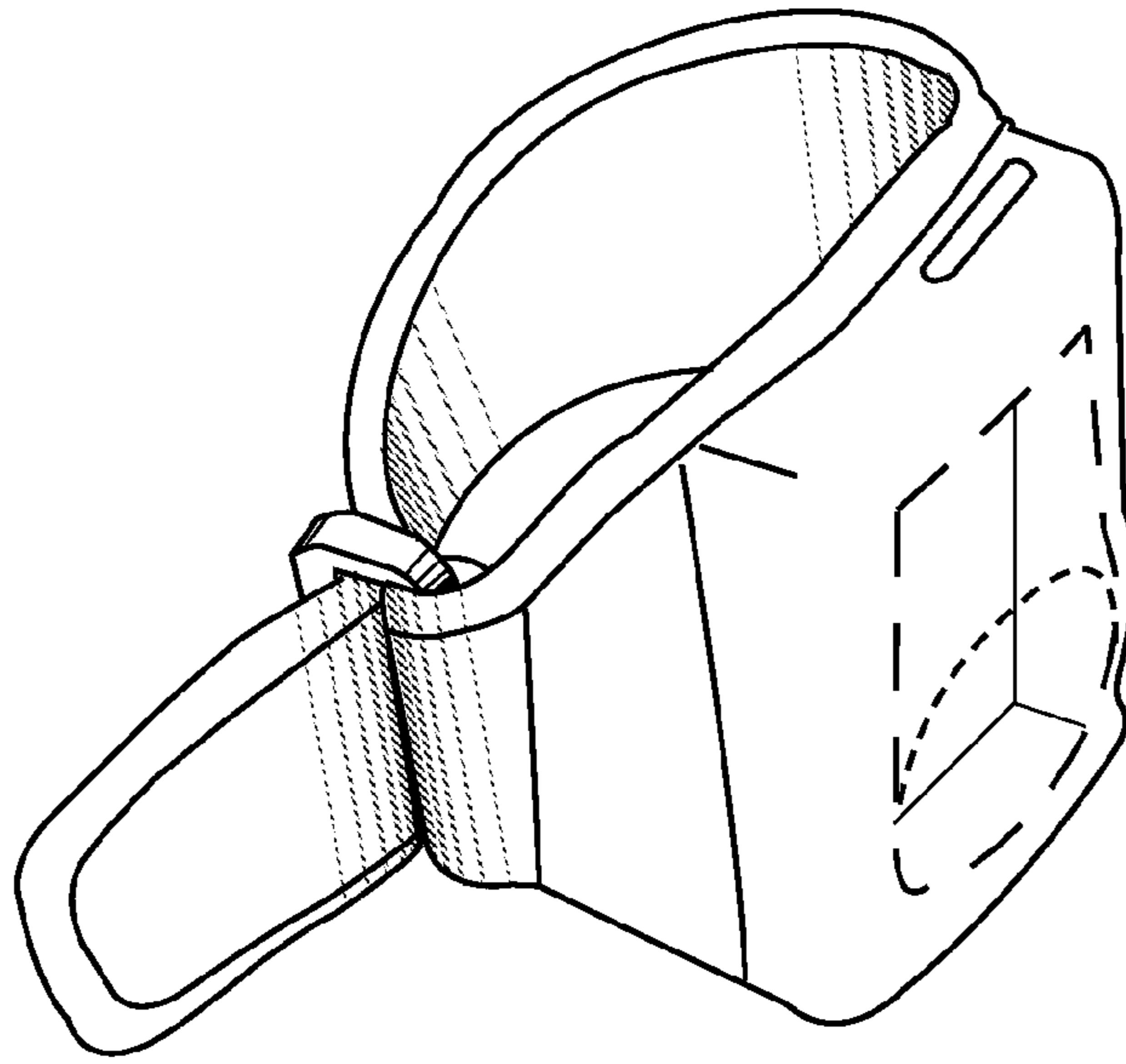


FIG 1

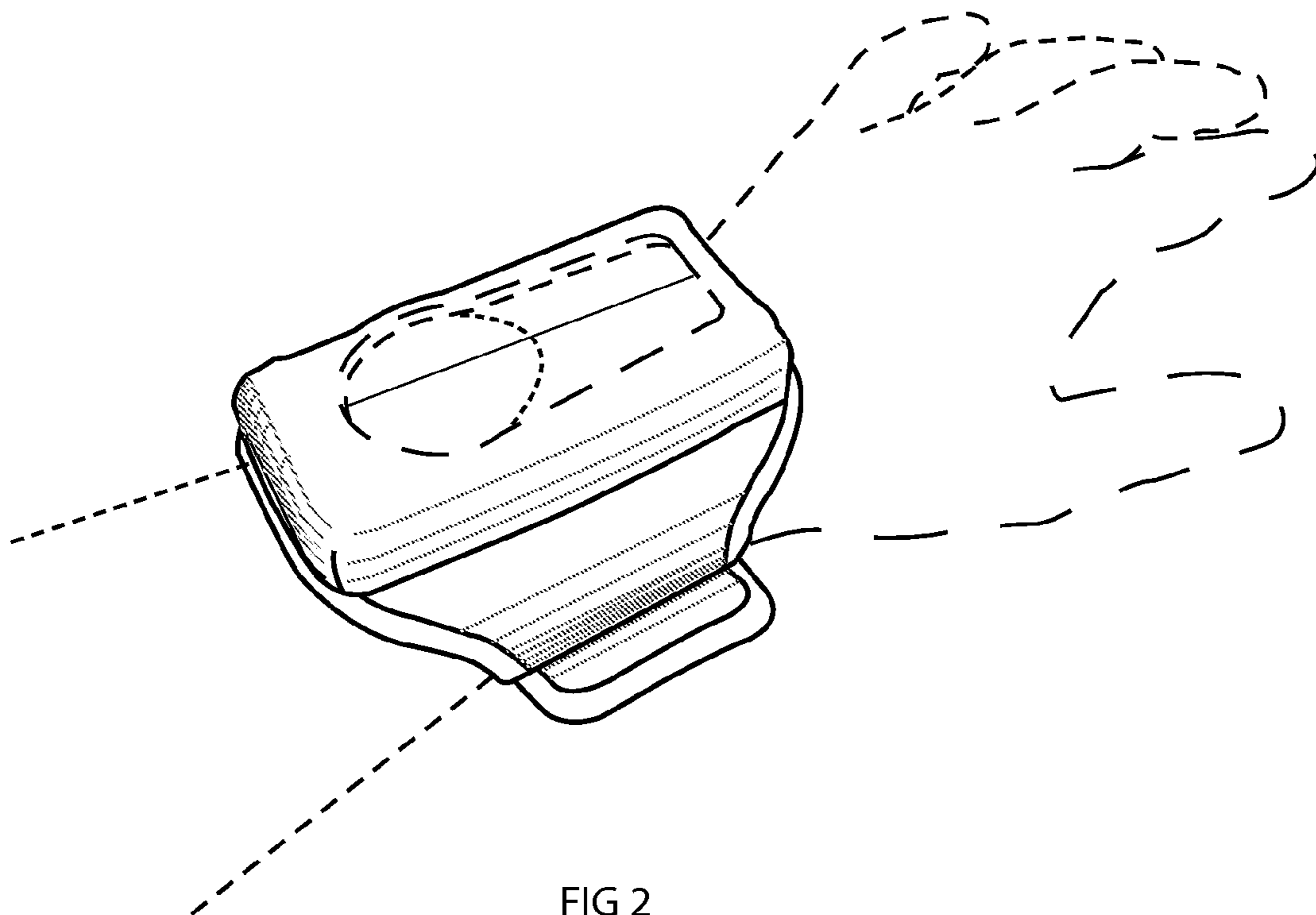


FIG 2

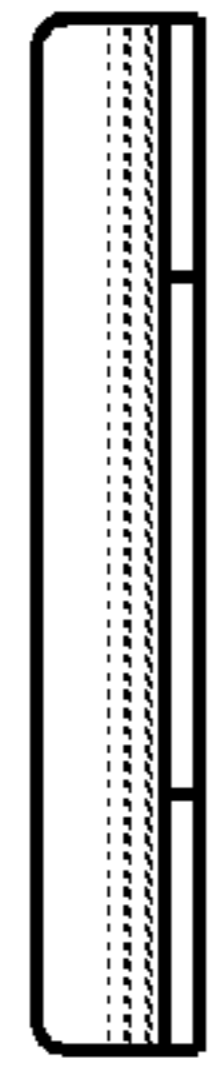


FIG 6

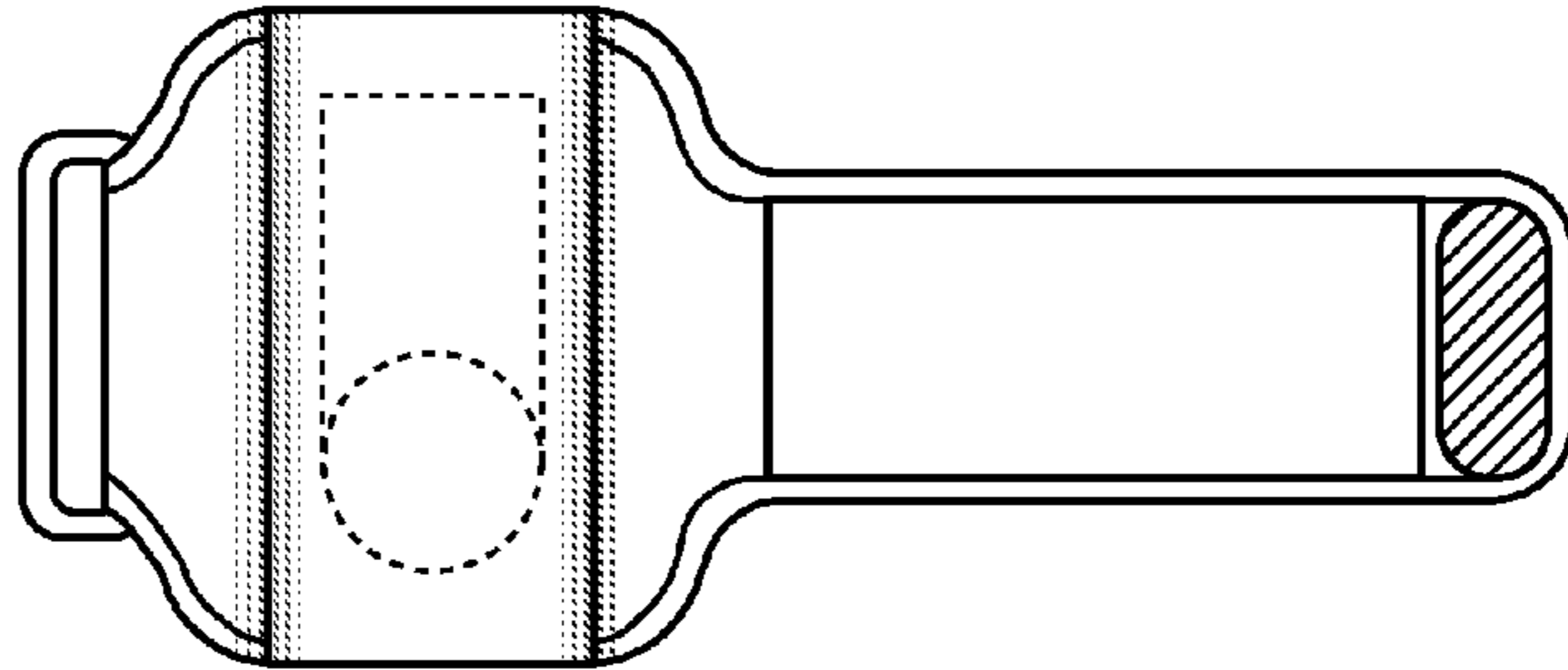


FIG 3

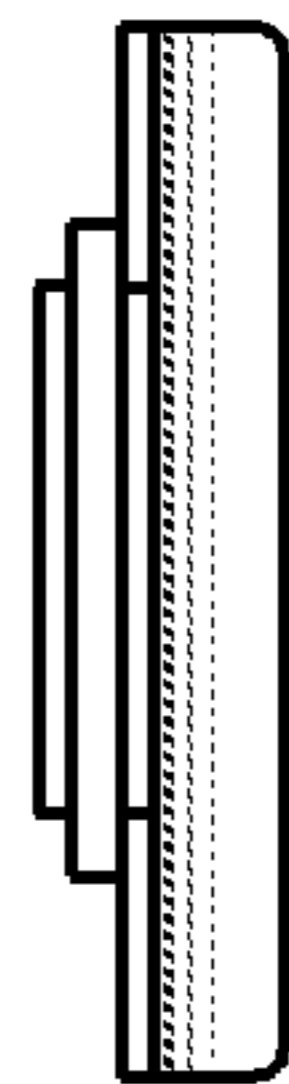


FIG 7

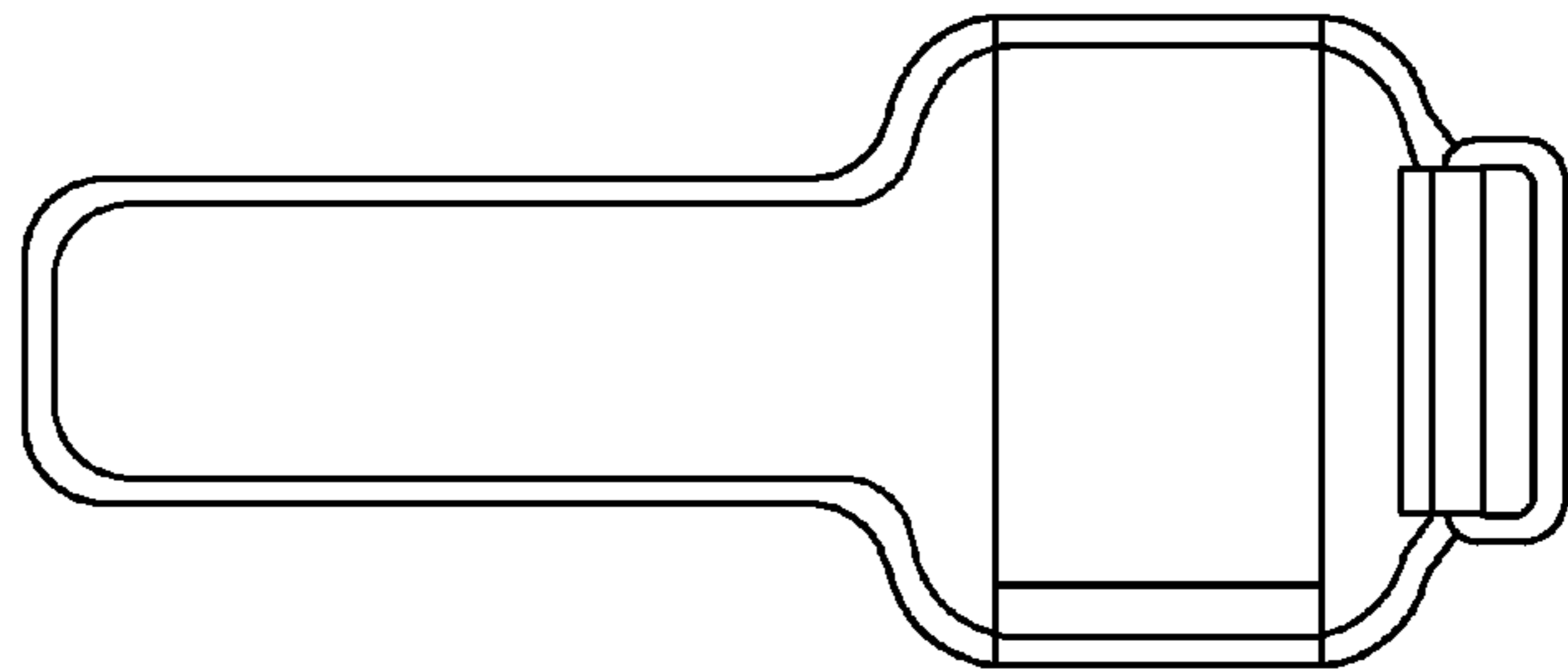


FIG 4

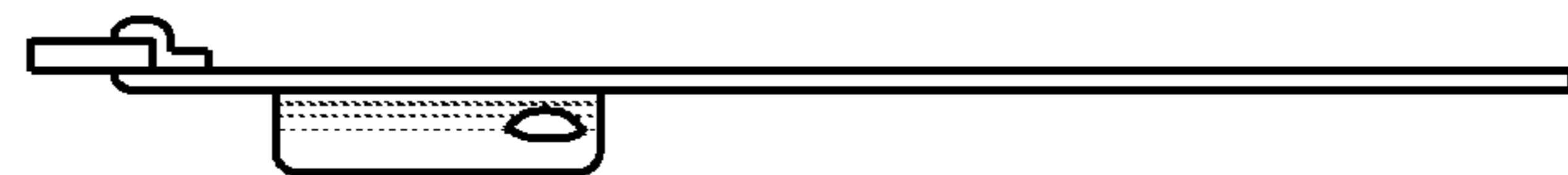


FIG 5

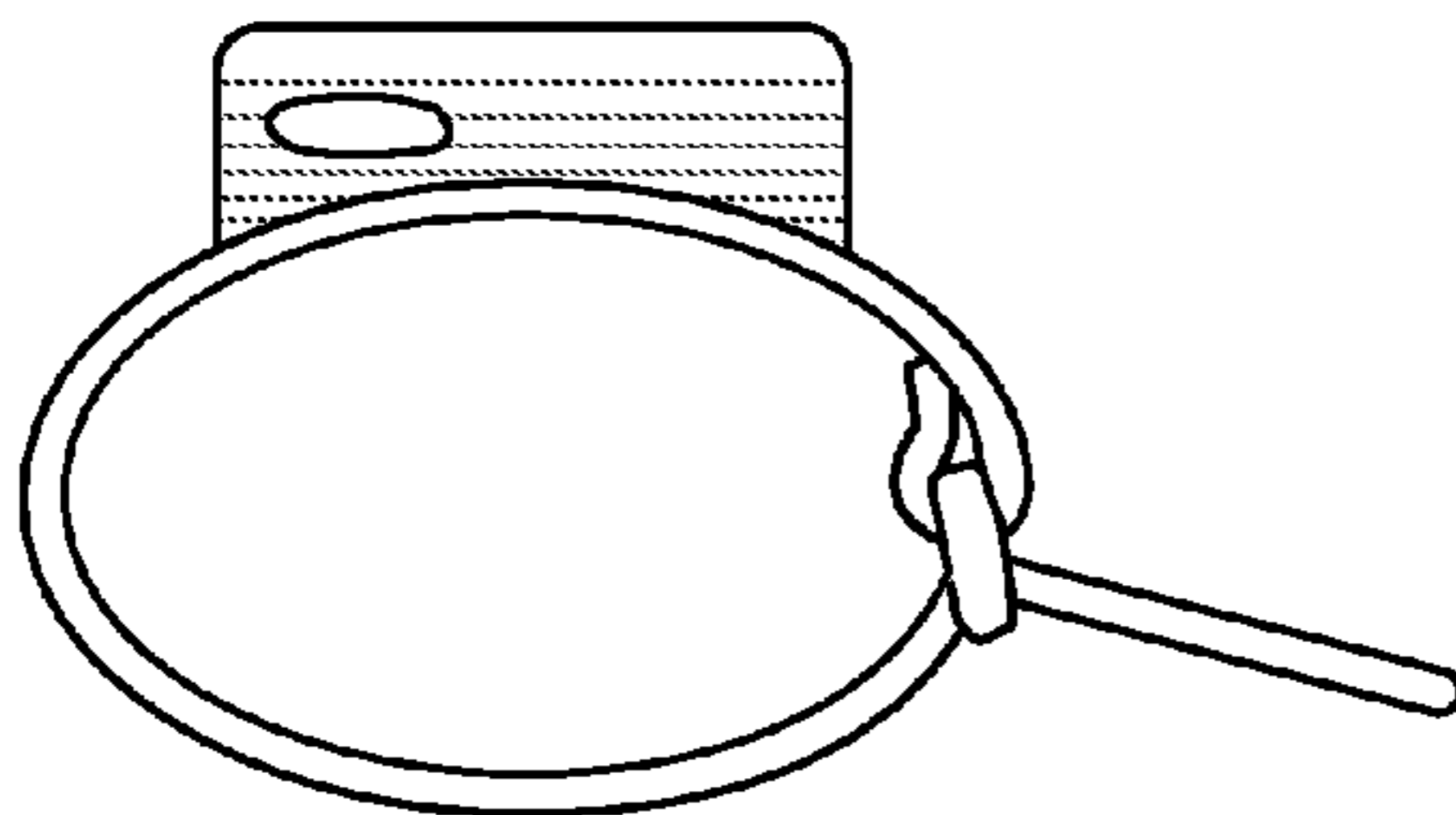


FIG 8

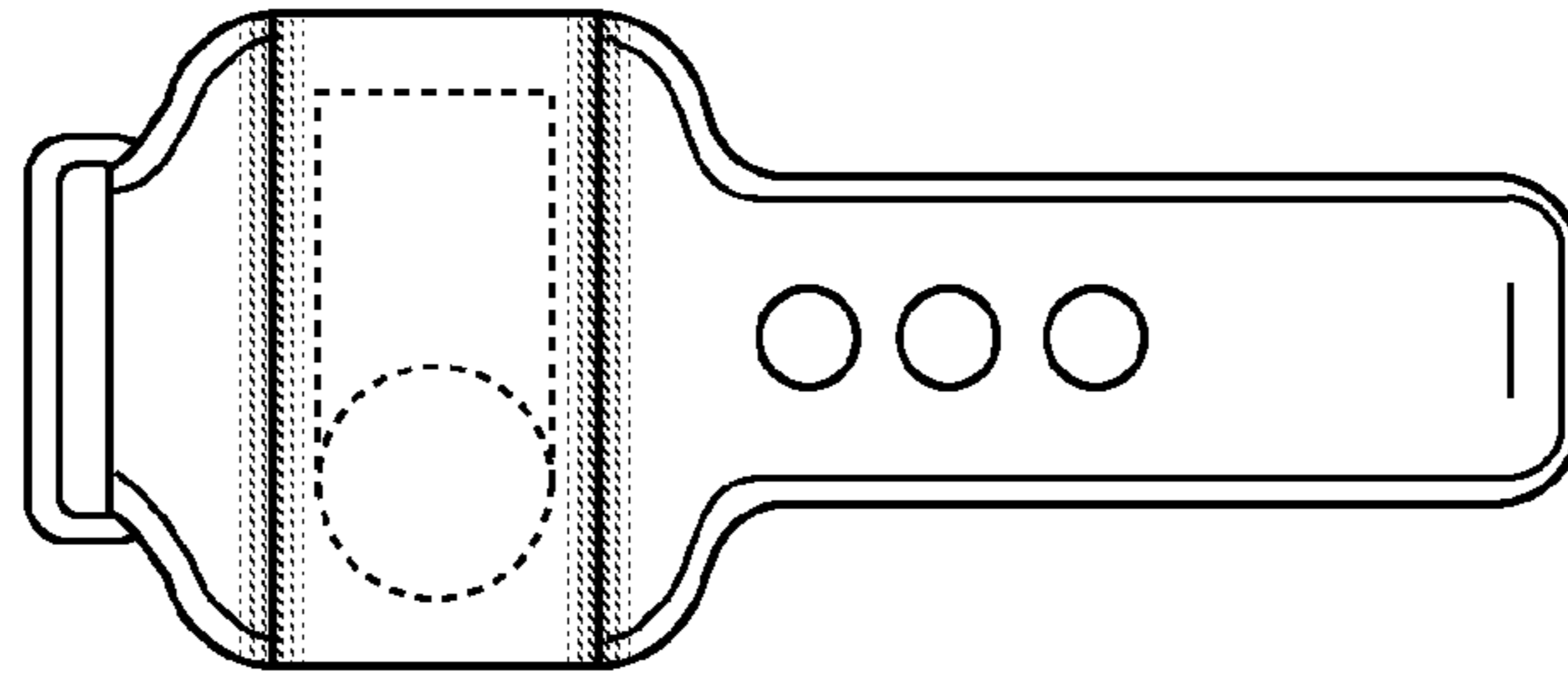


FIG 9

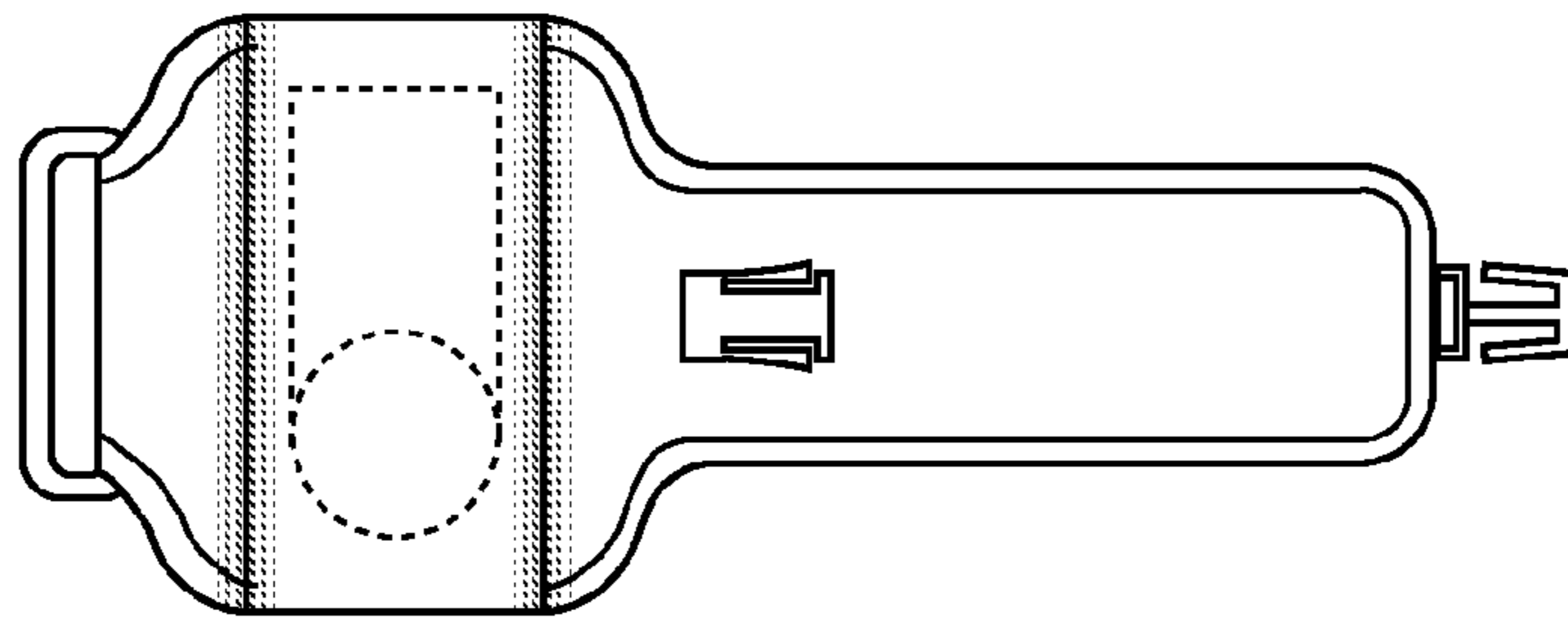


FIG 10

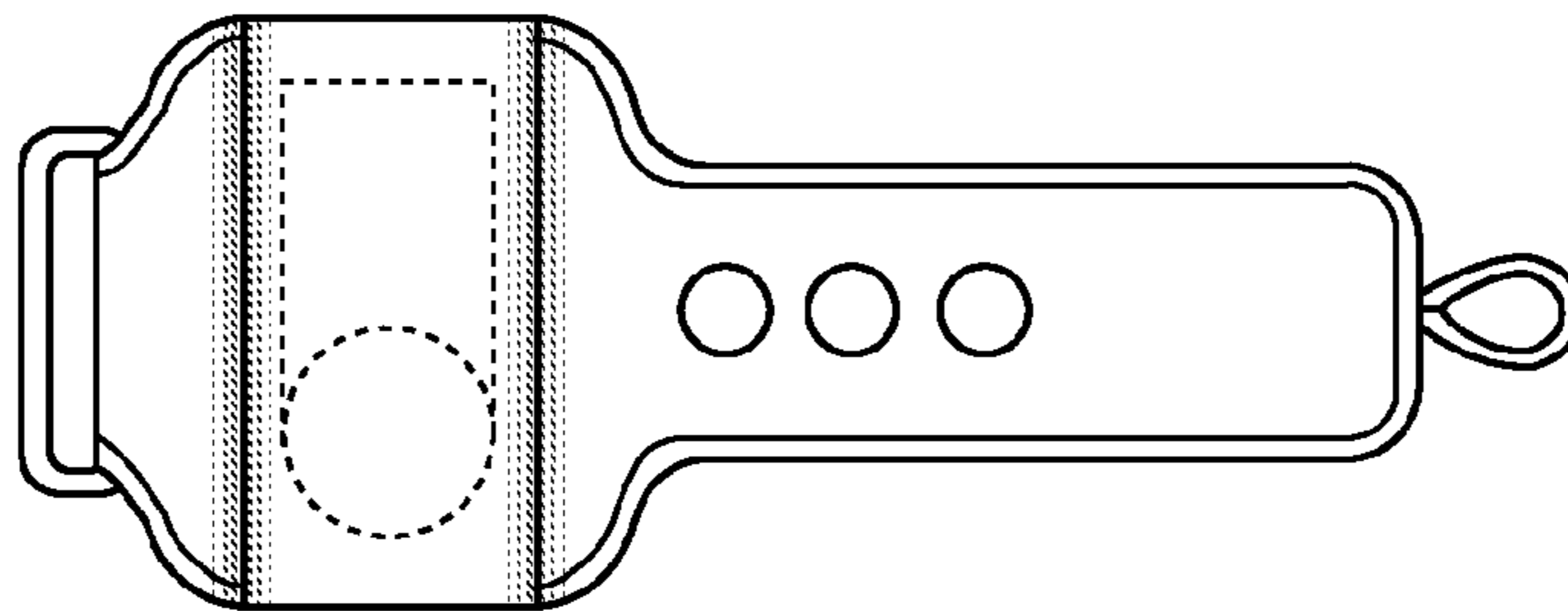


FIG 11

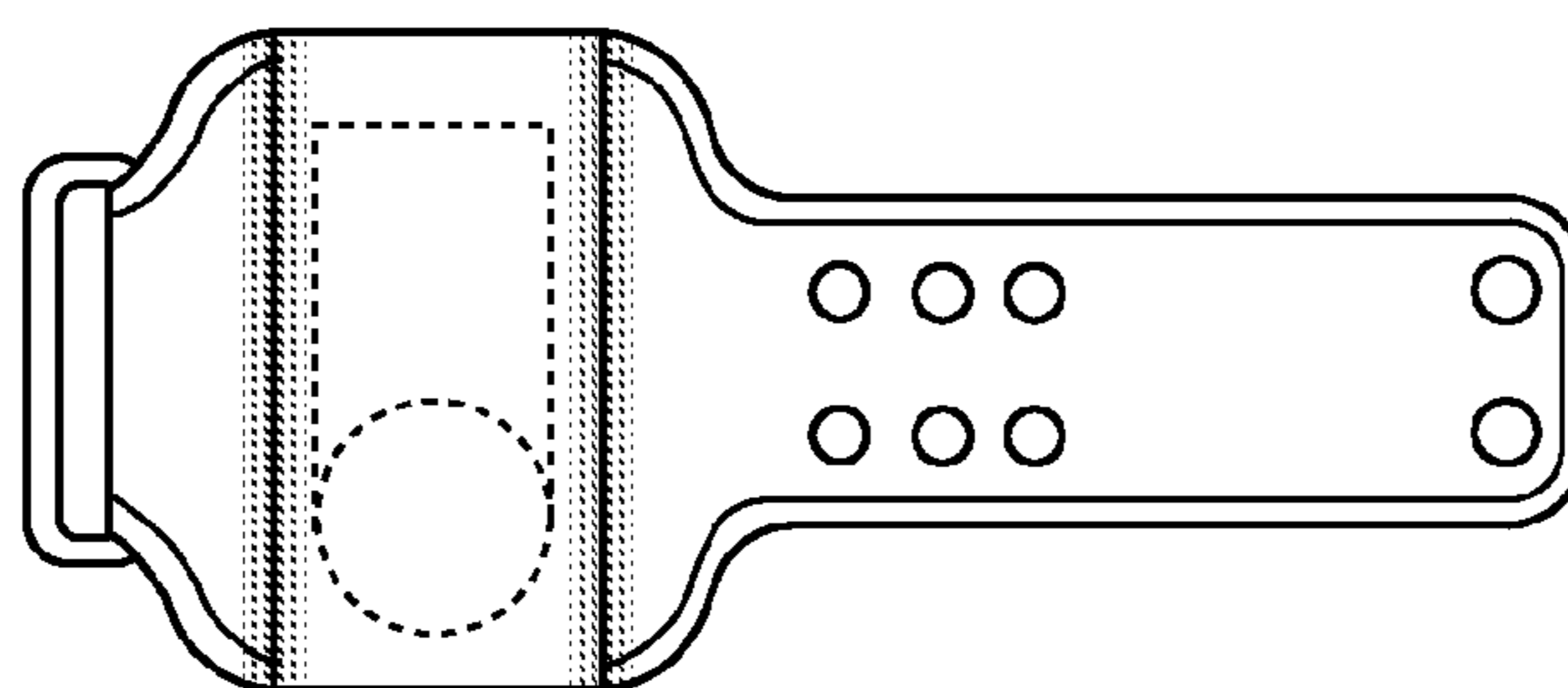


FIG 12

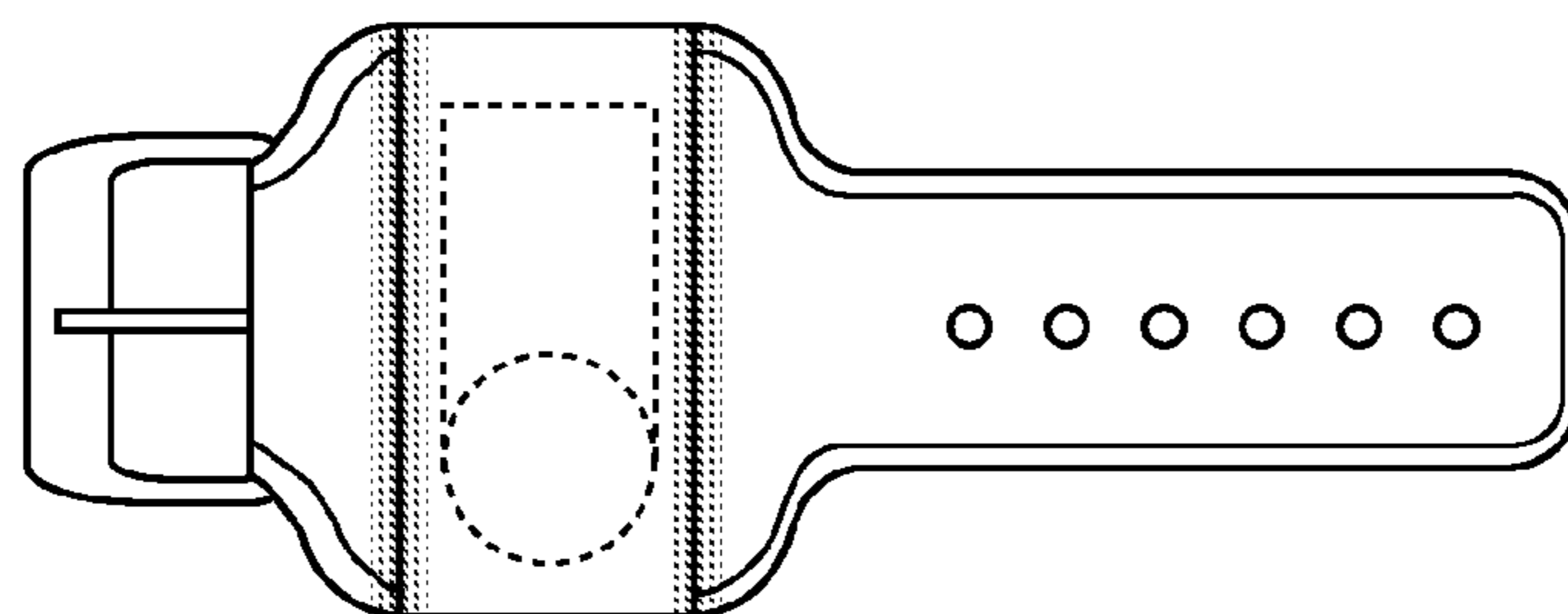


FIG 13