



US00D599089S

(12) **United States Design Patent**
Liow

(10) **Patent No.:** **US D599,089 S**
(45) **Date of Patent:** **** Sep. 1, 2009**

(54) **FOOTWEAR**

(76) **Inventor:** **Tian Kong Liow**, 20531 Belshaw Ave.,
Carson, CA (US) 90746

(**) **Term:** **14 Years**

(21) **Appl. No.:** **29/324,351**

(22) **Filed:** **Oct. 13, 2008**

(51) **LOC (9) Cl.** **02-04**

(52) **U.S. Cl.** **D2/917**

(58) **Field of Classification Search** D2/896-900,
D2/903, 916, 917, 946, 969; 36/45, 11.5,
36/8.1, 77 M, 77 R, 83, 7

See application file for complete search history.

(56) **References Cited**

U.S. PATENT DOCUMENTS

D166,123 S *	3/1952	Pastine	D2/917
D167,533 S *	8/1952	Pastine	D2/917
D187,781 S *	5/1960	Hayakawa	D2/917
D486,296 S *	2/2004	Morrison et al.	D2/917
D495,123 S *	8/2004	Wakatake	D2/969
6,769,204 B1 *	8/2004	Phillips	36/136
D500,397 S *	1/2005	Dal Magro et al.	D2/917
D568,032 S *	5/2008	Lavergne	D2/917

* cited by examiner

Primary Examiner—Ian Simmons

Assistant Examiner—Rashida C McCoy

(74) *Attorney, Agent, or Firm*—Cislo & Thomas LLP

(57) **CLAIM**

The ornamental design for a footwear, as shown and described.

DESCRIPTION

FIG. 1 is a perspective view of the footwear, showing my new design;

FIG. 2 is a top view thereof;

FIG. 3 is the detail of the portion labeled 3 in FIG. 2 to show that the image inside the button feature is being illustrated in broken lines;

FIG. 4 is a perspective view of the button in FIG. 3 to show that the image illustrated in broken lines is on the bottom of the button;

FIG. 5 is the detail of the portion labeled 5 in FIG. 2 to show that the pattern is being illustrated in broken lines;

FIG. 6 is a right side view of the footwear shown in FIG. 1;

FIG. 7 Is a left side view thereof;

FIG. 8 Is a front view thereof;

FIG. 9 Is a rear view thereof; and

FIG. 10 Is a bottom view thereof;

FIG. 11 Is a perspective view of another embodiment of the footwear;

FIG. 12 Is a top view thereof;

FIG. 13 Is a top view of the detail of the portion labeled 13 in FIG. 11 to show that the image on the surface of the button is illustrated in broken lines;

FIG. 14 Is a perspective view of the button in FIG. 11 to show that the image illustrated in broken lines is on the top surface of the button;

FIG. 15 Is the detail of the portion labeled 15 in FIG. 11 to show that the pattern is being illustrated in broken lines;

FIG. 16 Is a right side view of the footwear shown in FIG. 8;

FIG. 17 Is a left side view thereof;

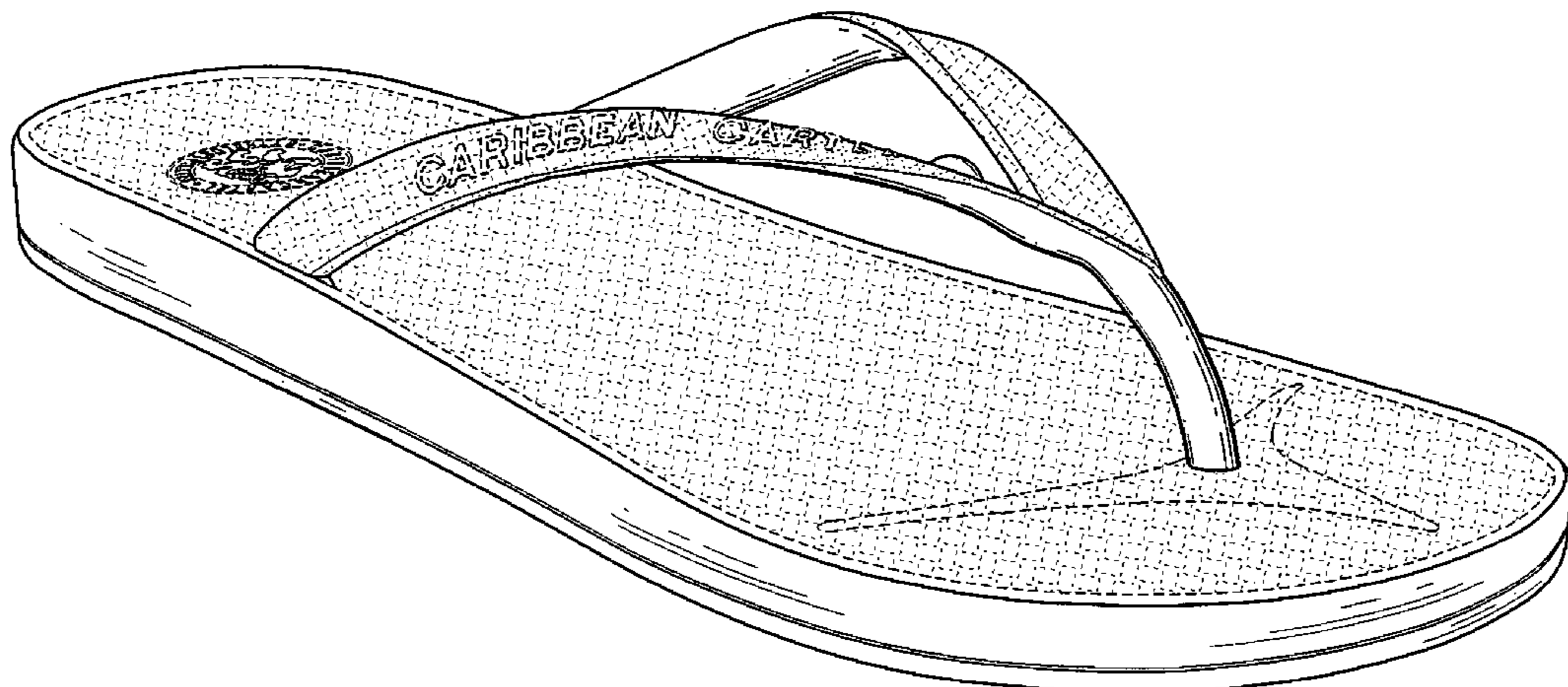
FIG. 18 Is a front view thereof;

FIG. 19 Is a rear view thereof; and,

FIG. 20 Is a bottom view thereof.

The broken line showing of the pattern and indicia on the footbed and strap and the tread on the sole is included for the purpose of illustrating environmental structure and forms no part of the claimed design.

1 Claim, 14 Drawing Sheets



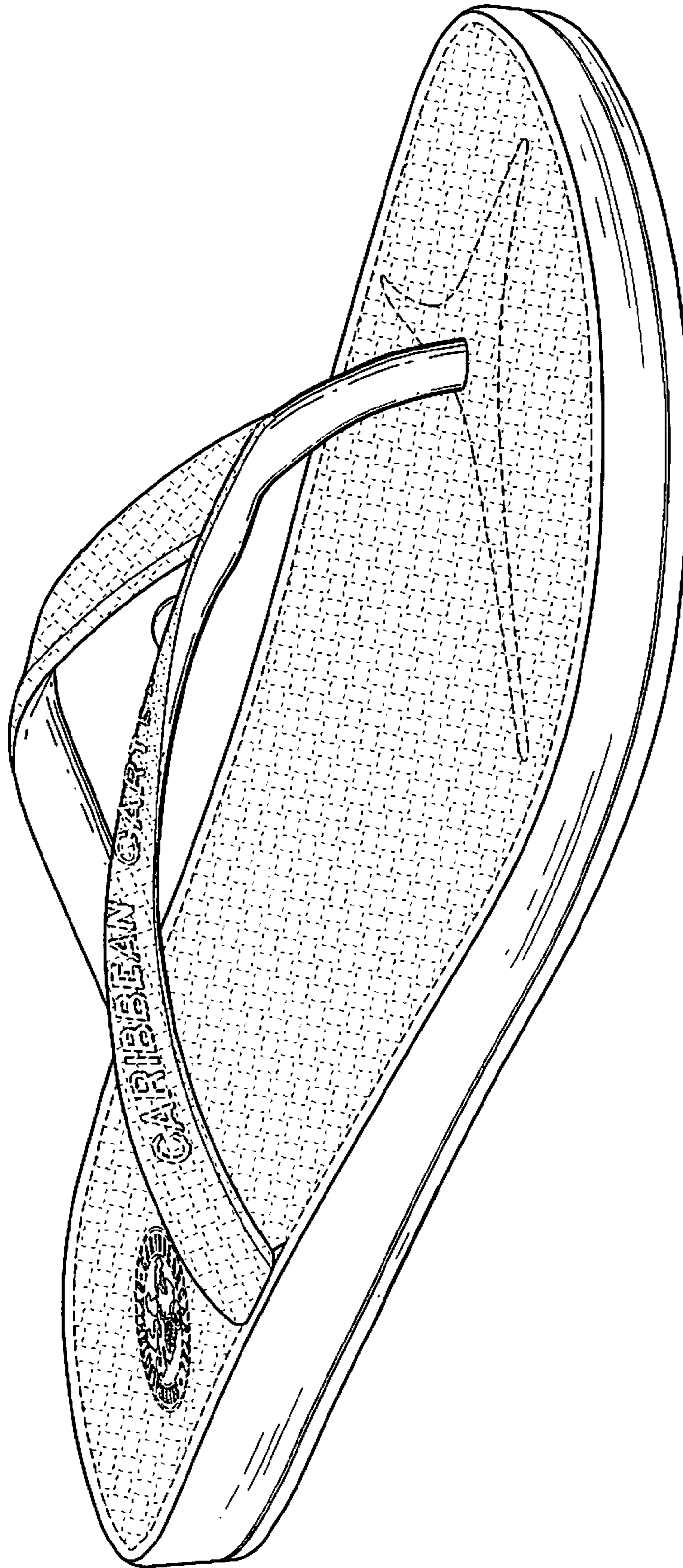


FIG. 1

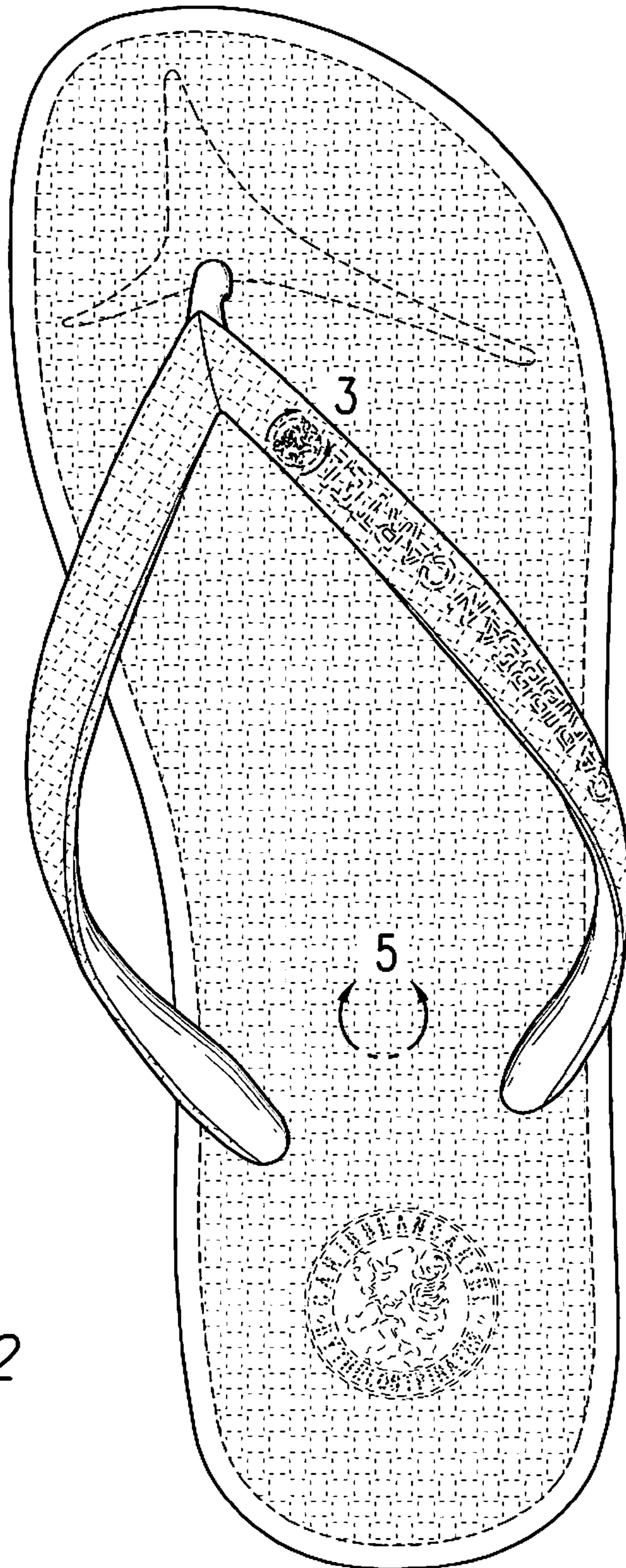


FIG. 2

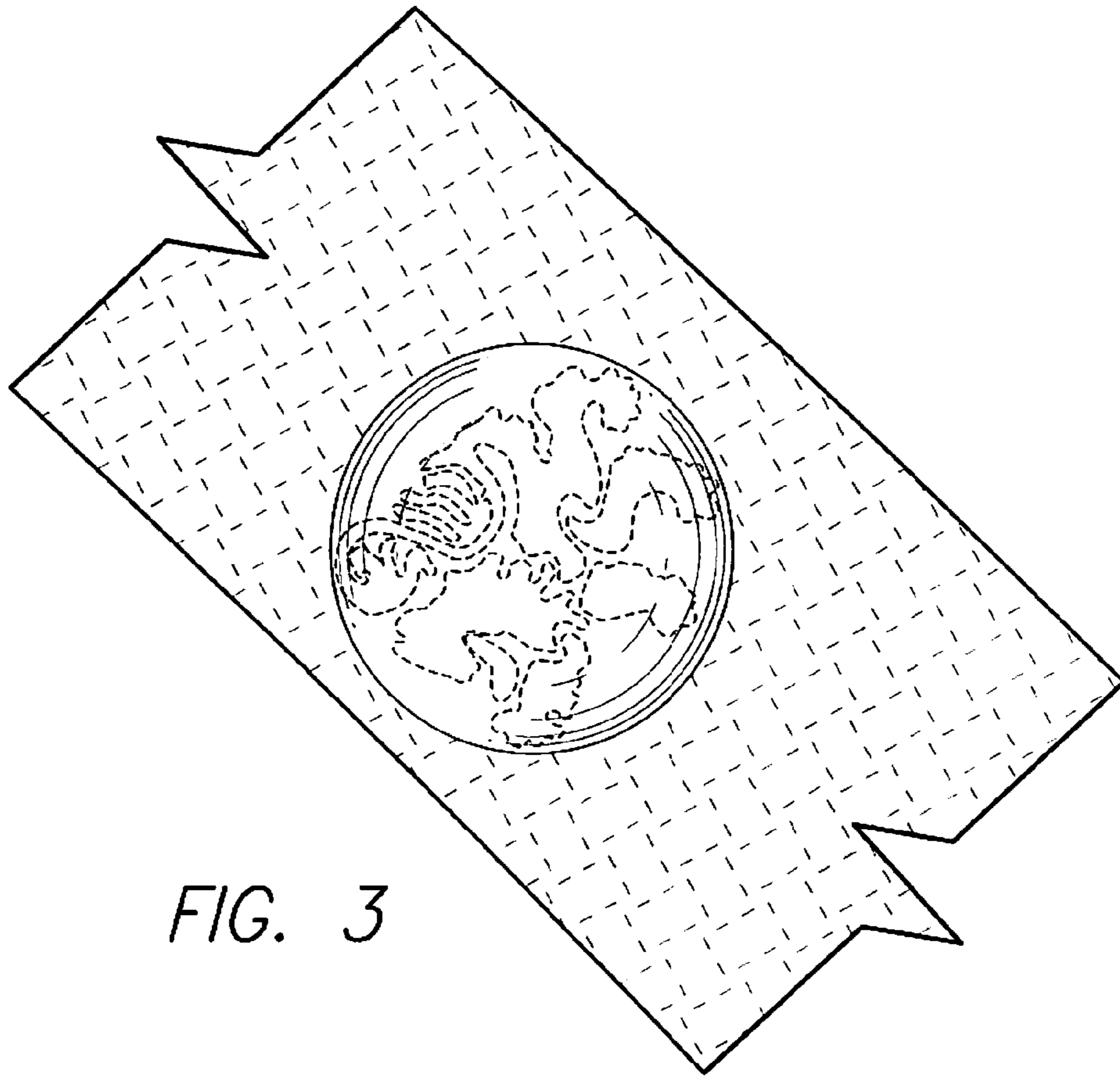


FIG. 3

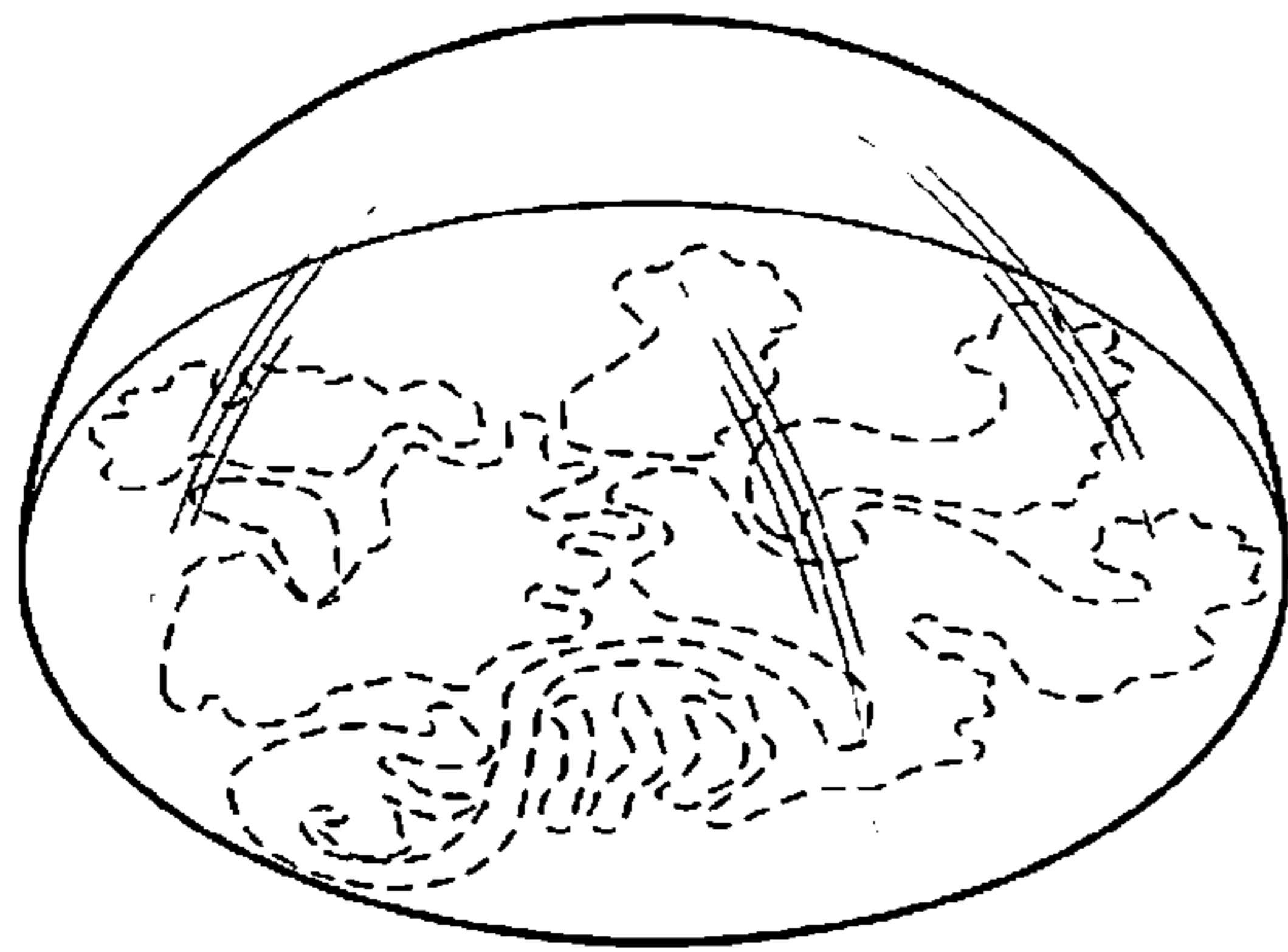


FIG. 4

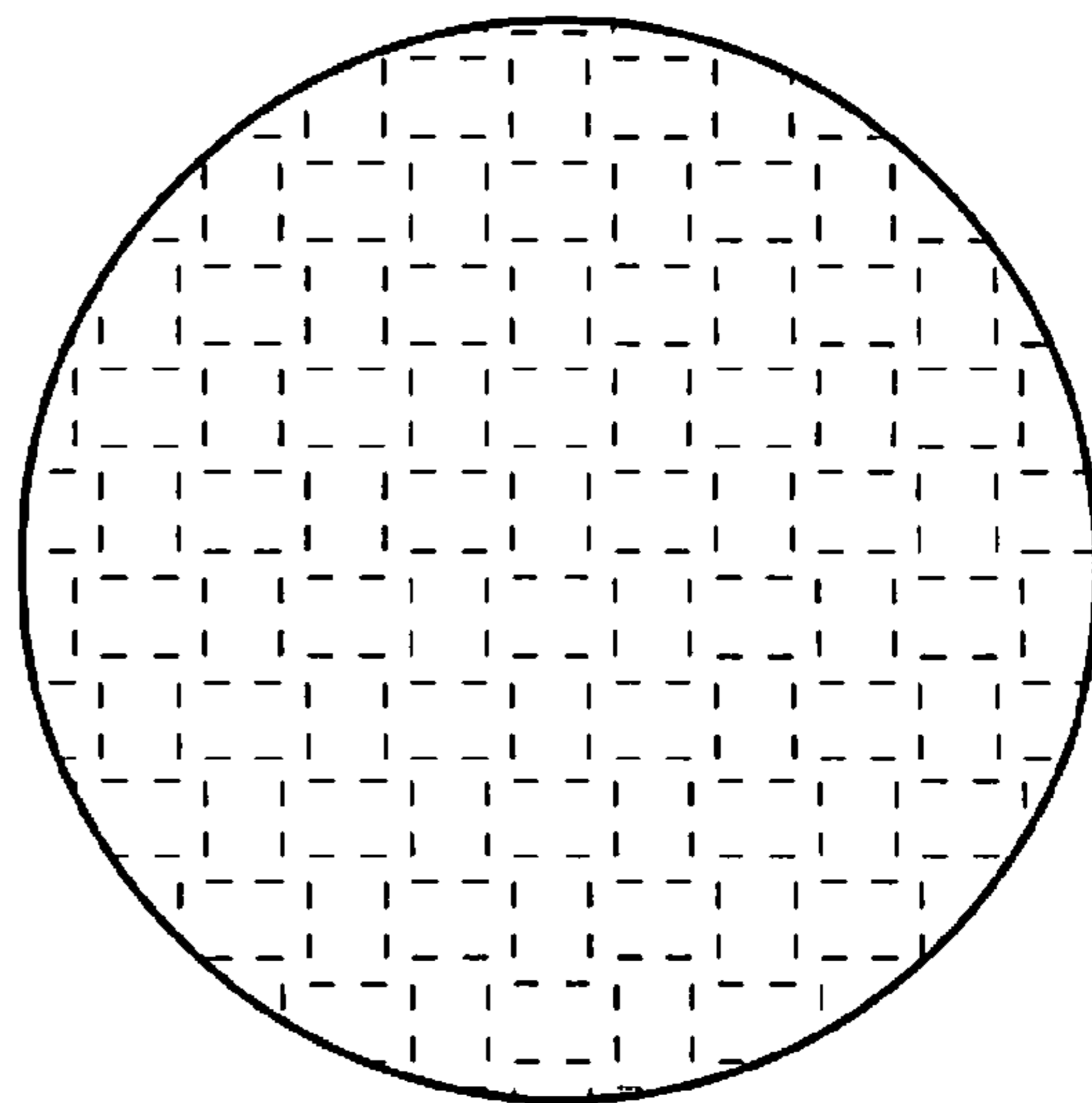


FIG. 5

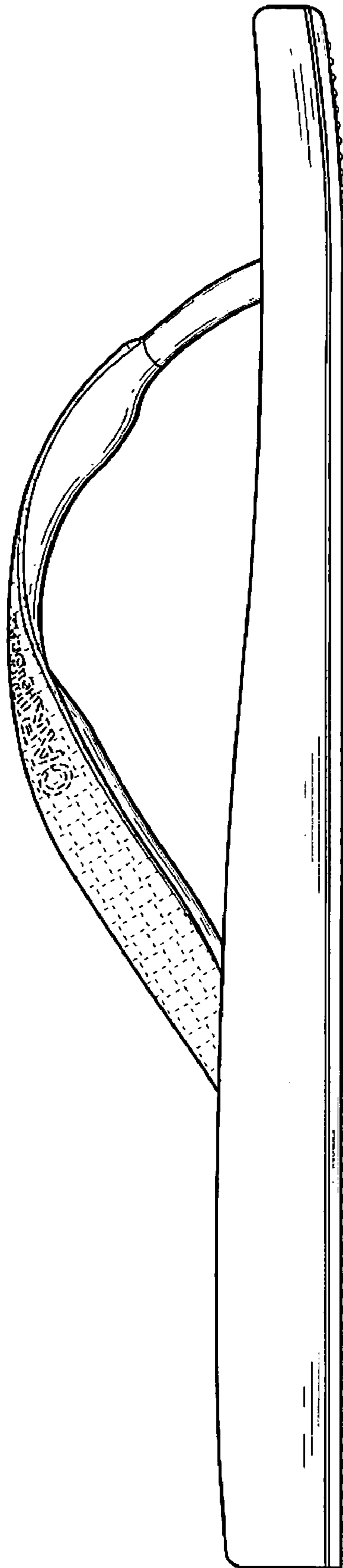


FIG. 6

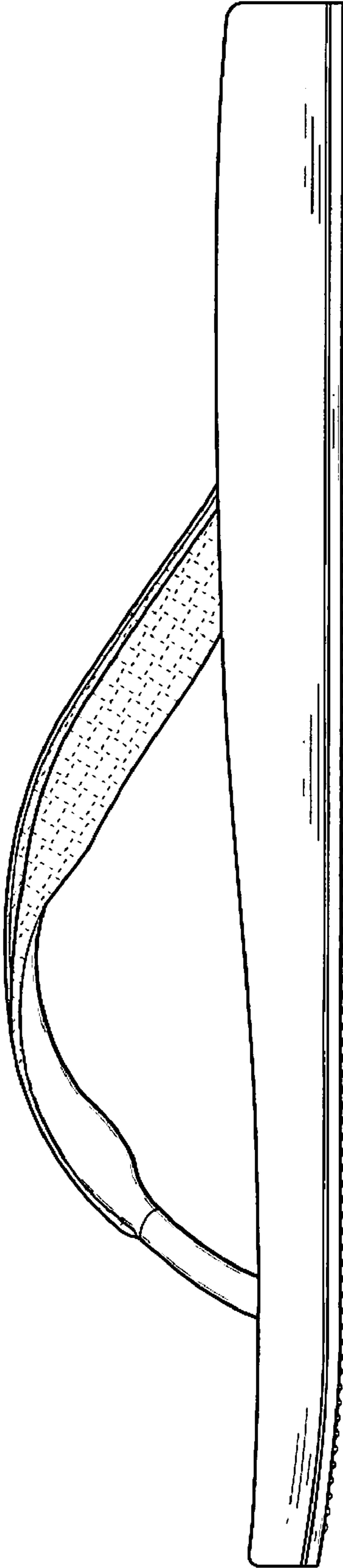


FIG. 7

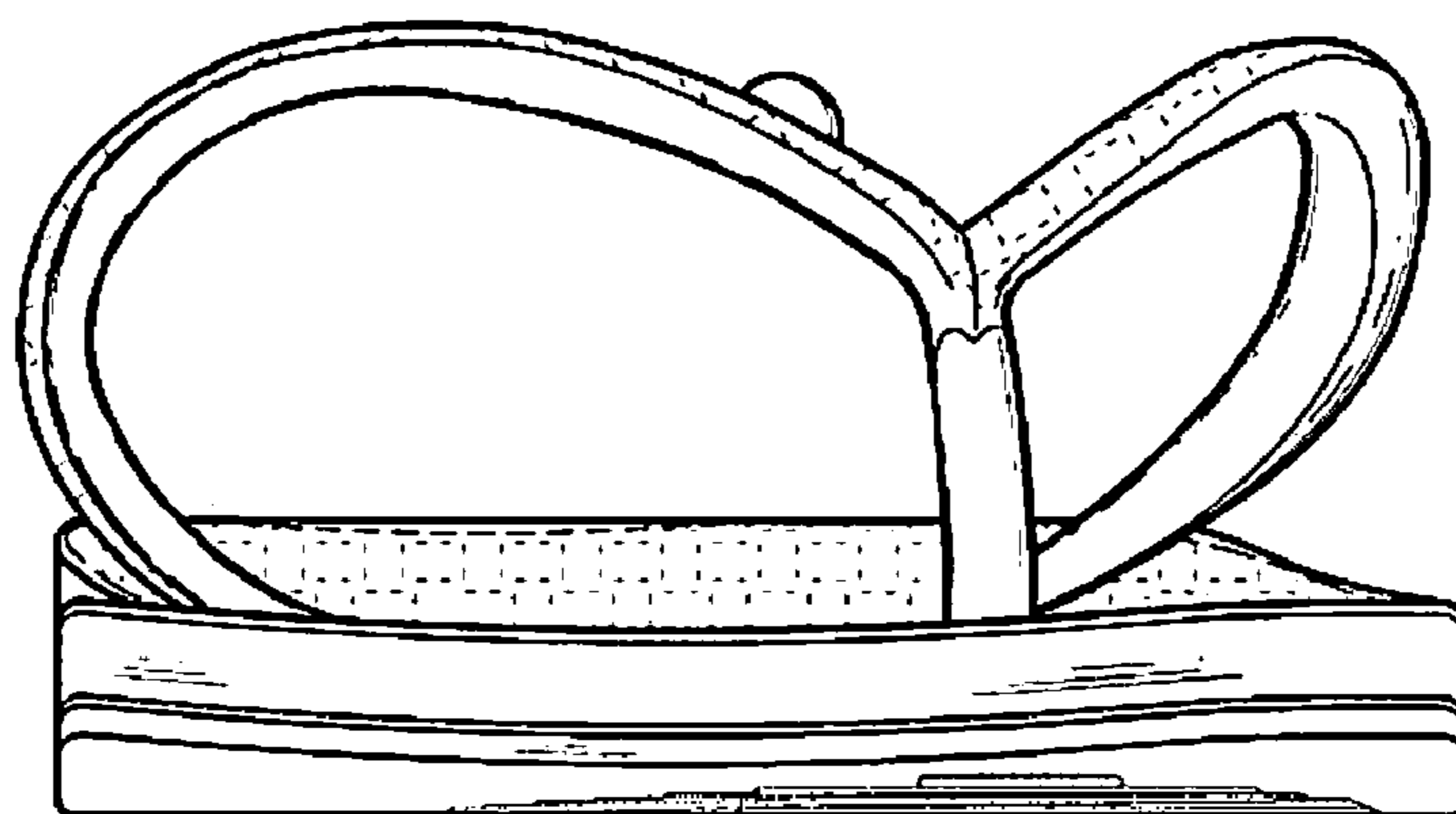


FIG. 8

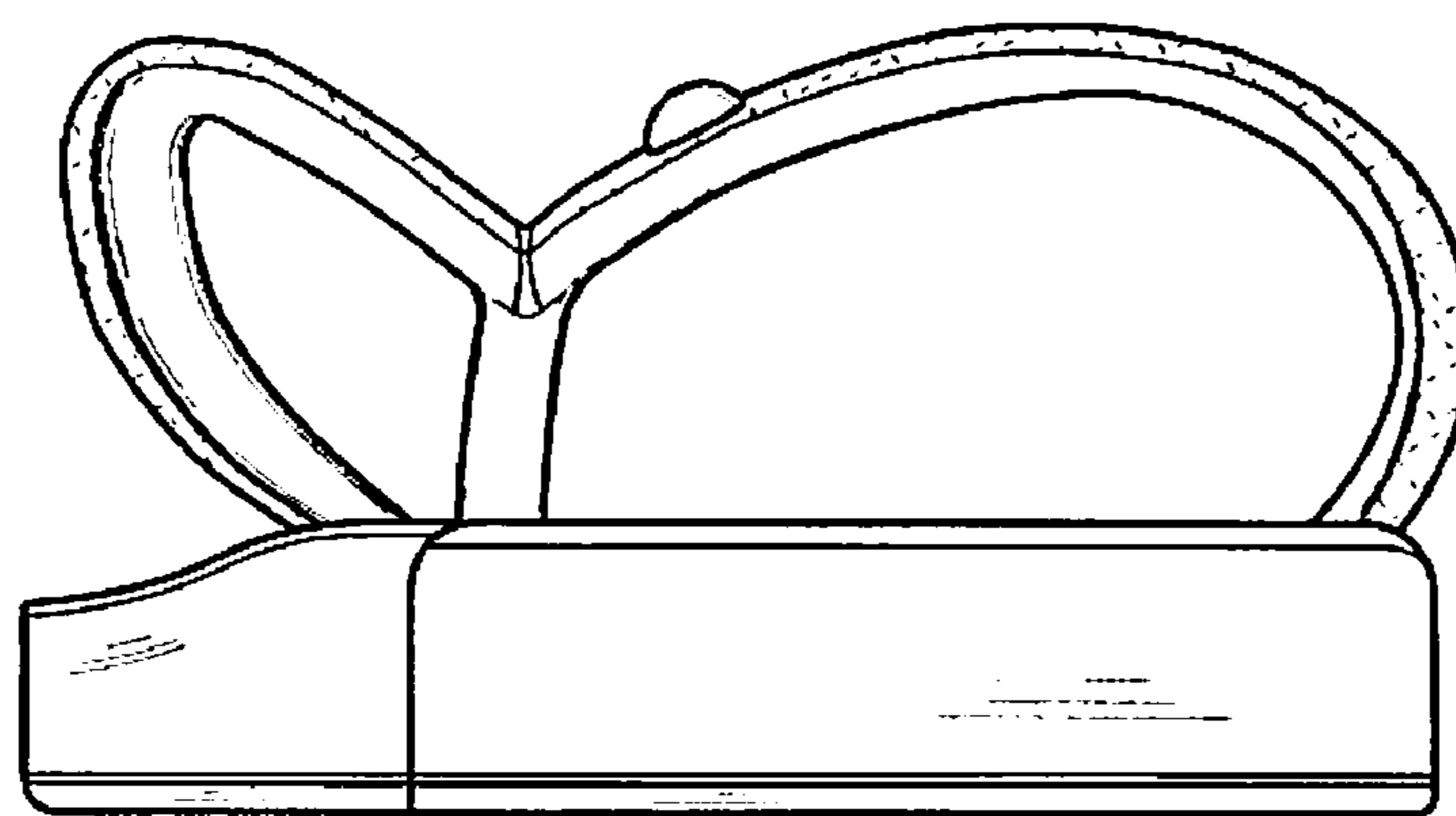


FIG. 9

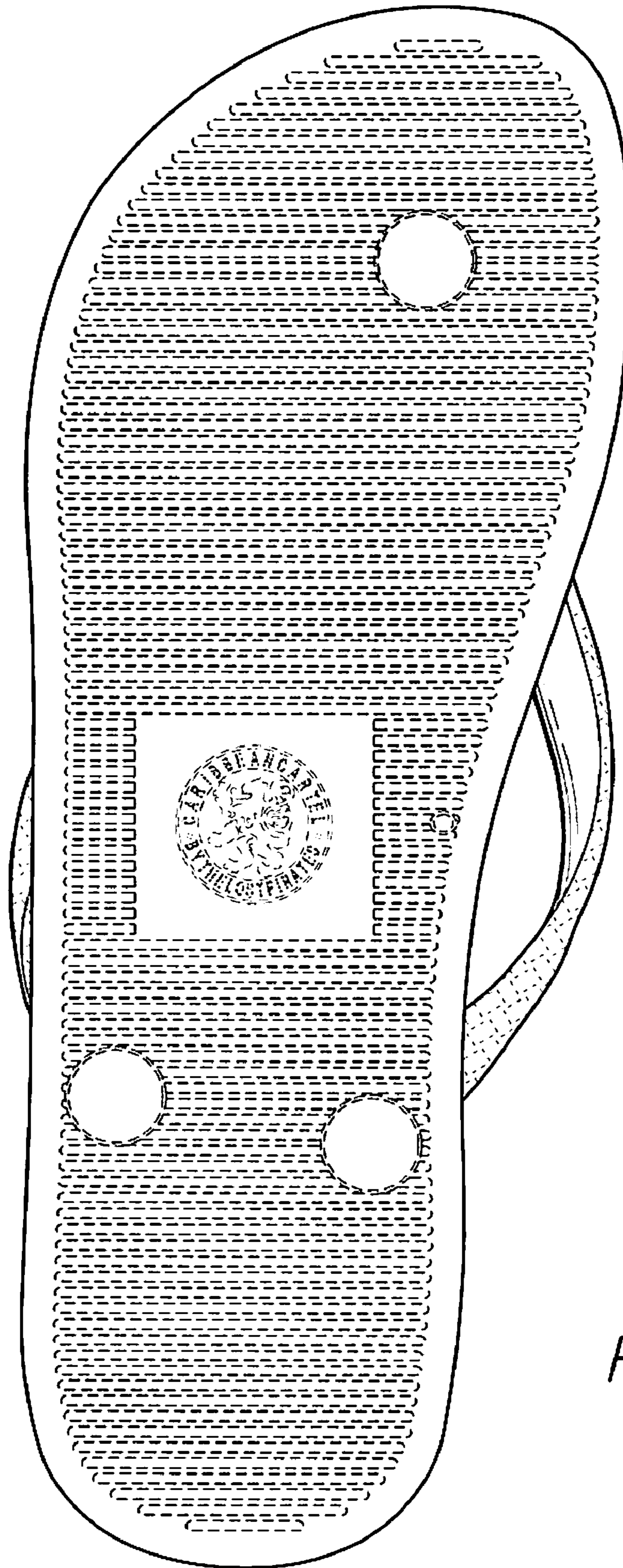


FIG. 10

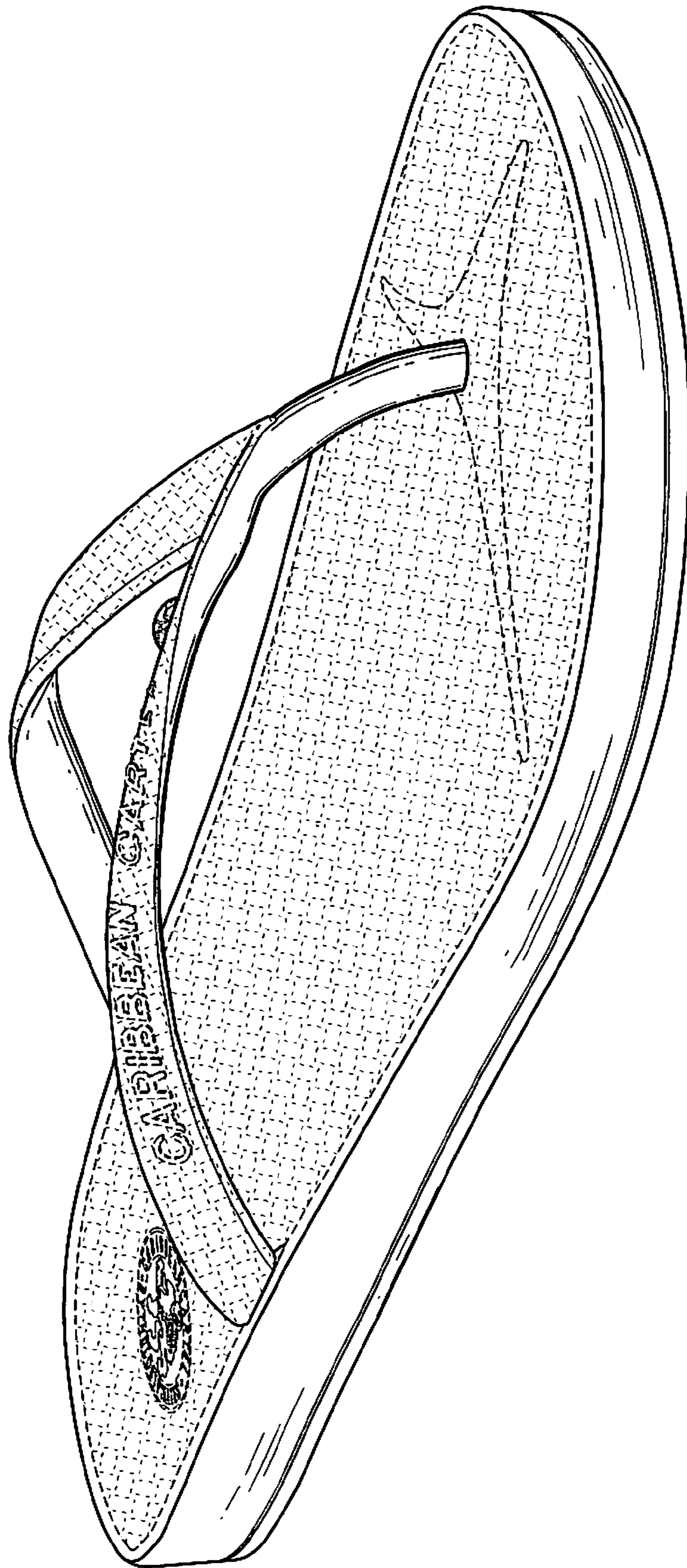


FIG. 11

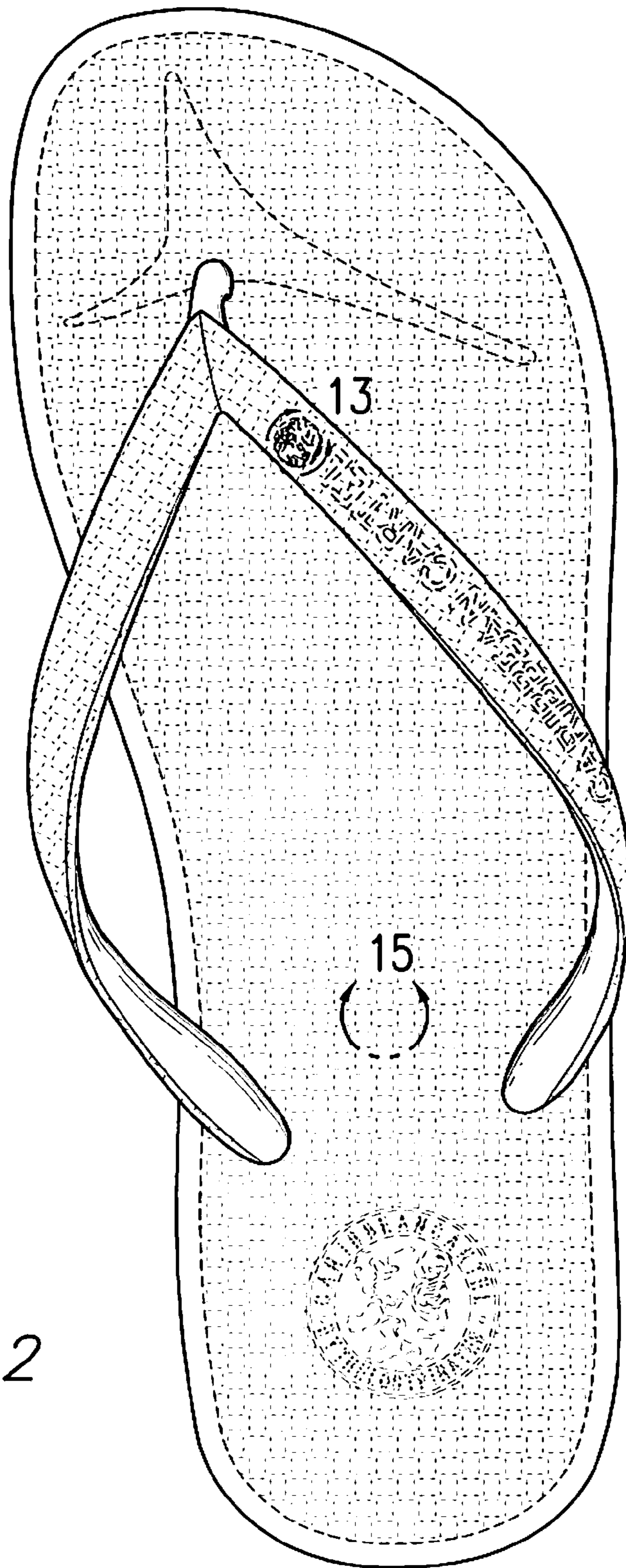


FIG. 12

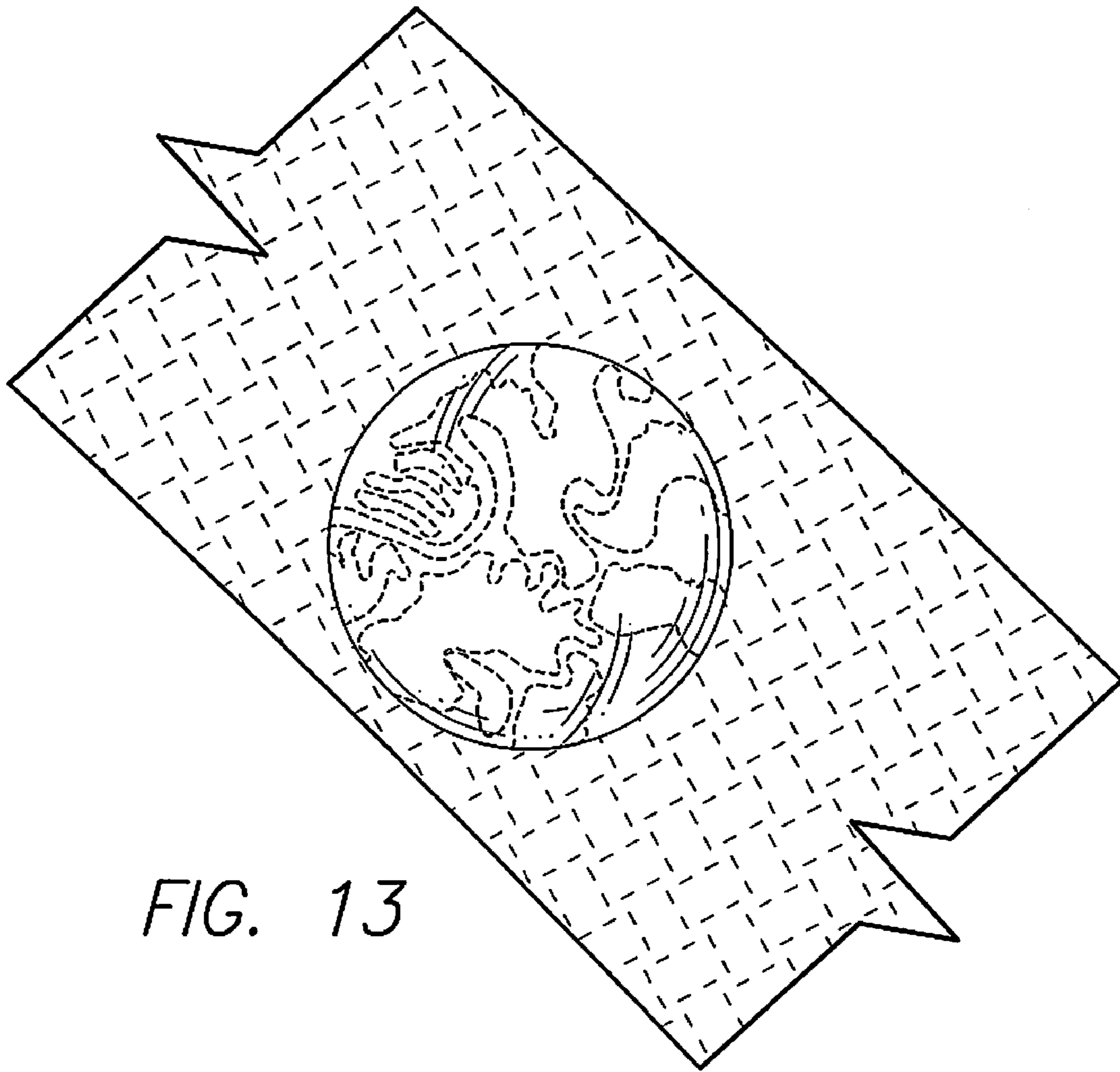


FIG. 13



FIG. 14

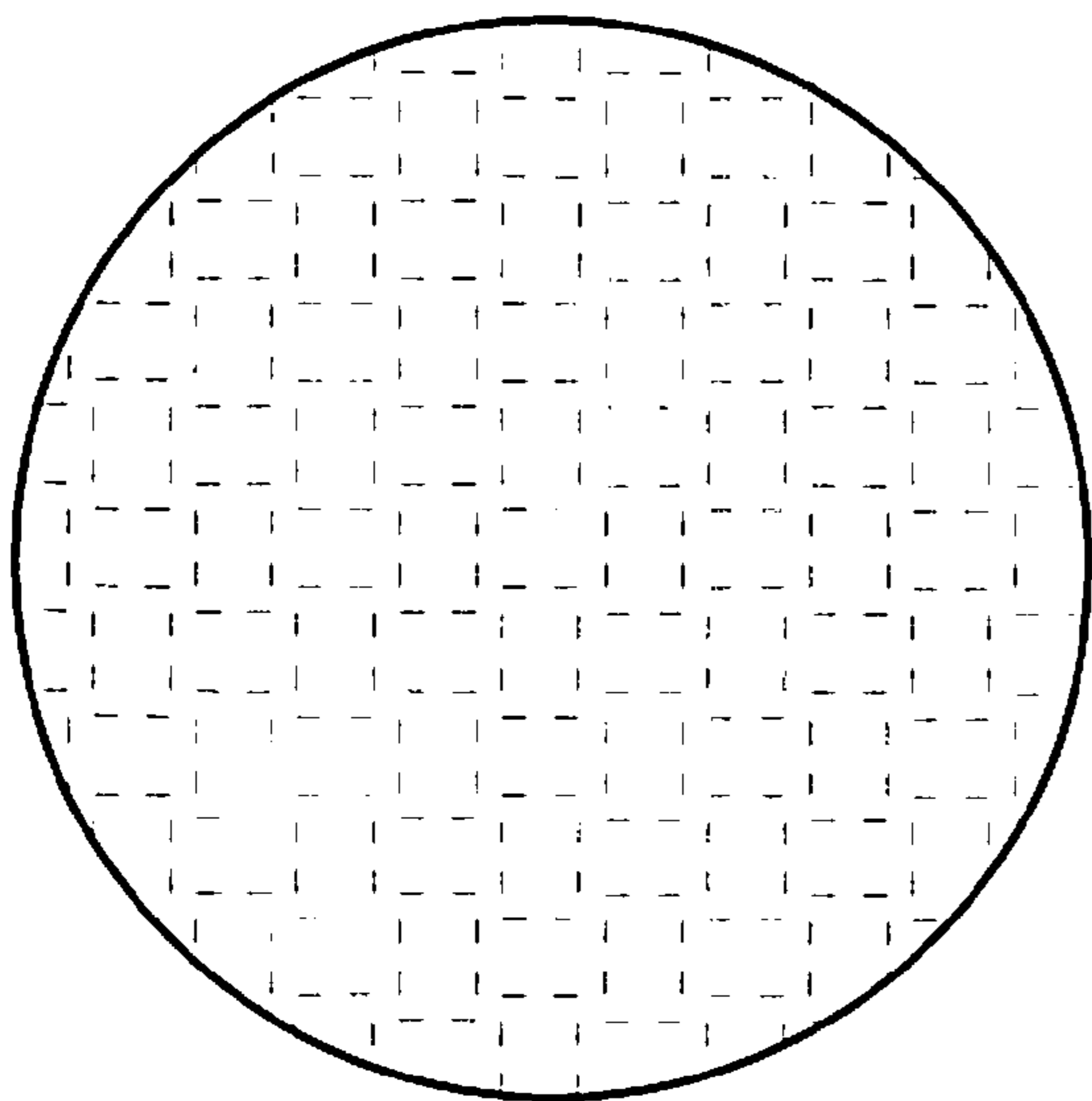


FIG. 15

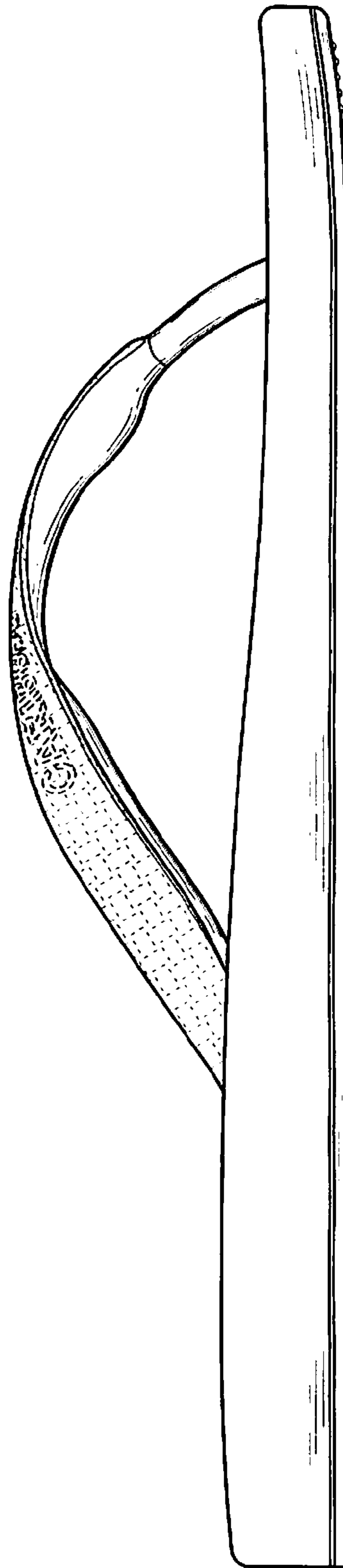


FIG. 16

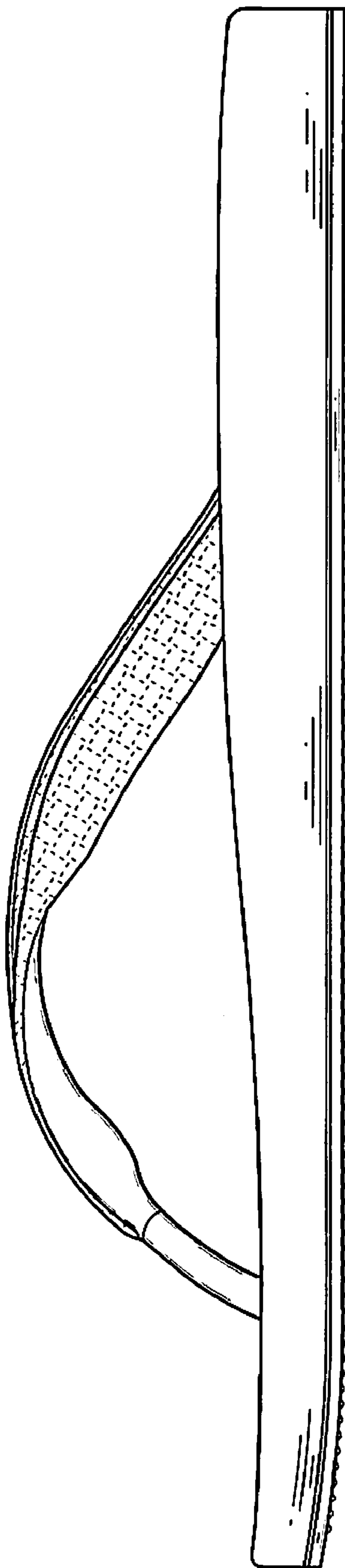


FIG. 17

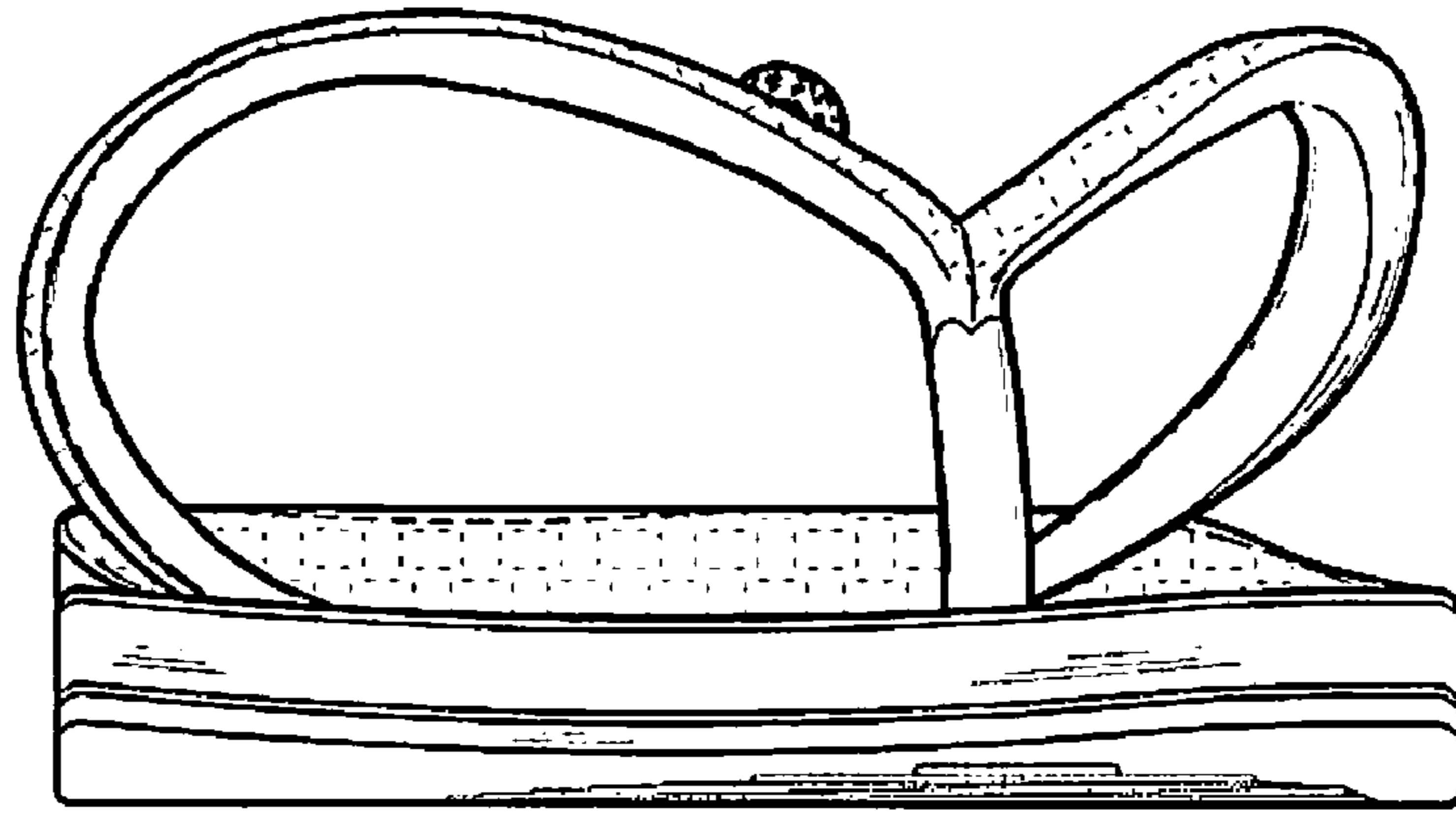


FIG. 18

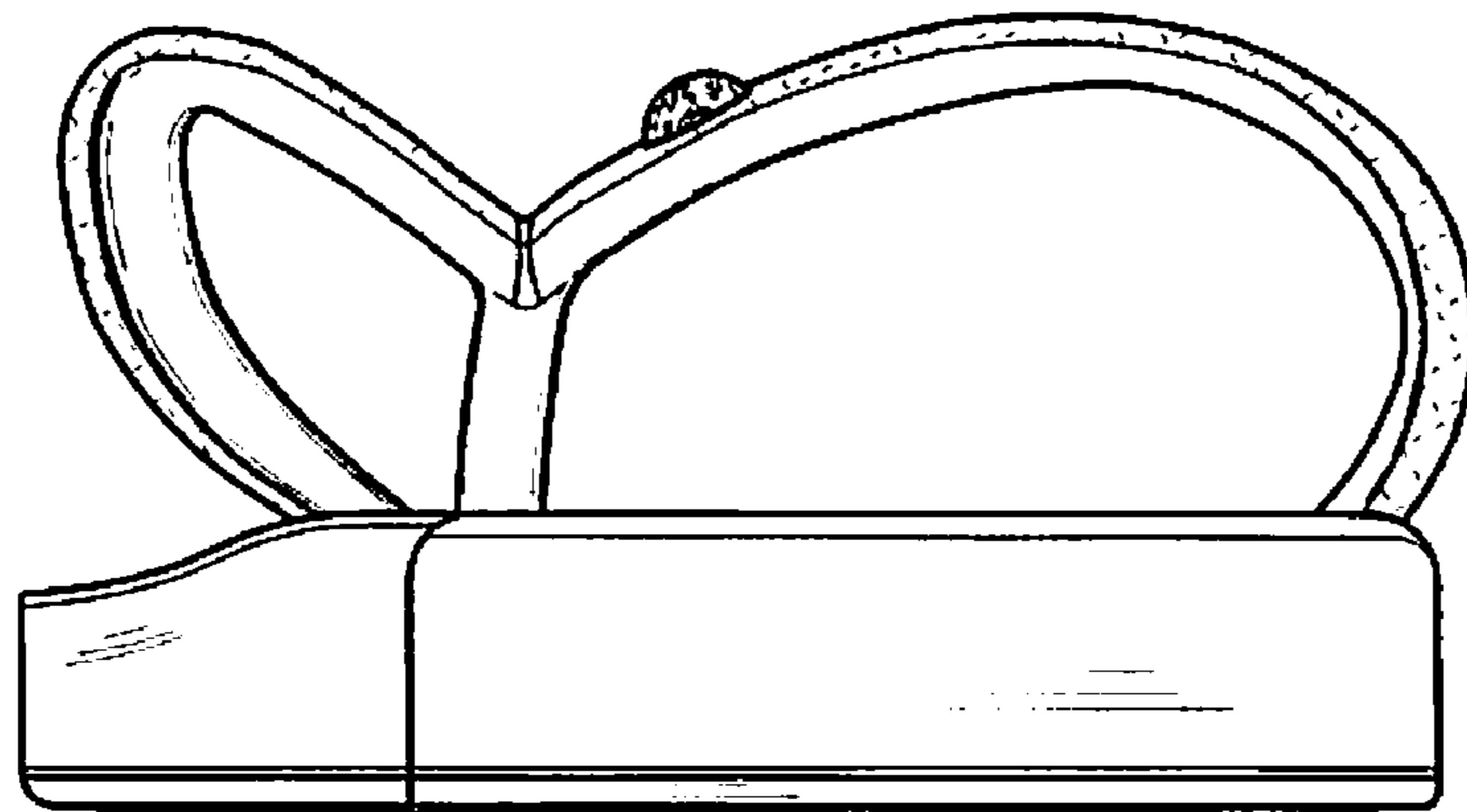


FIG. 19

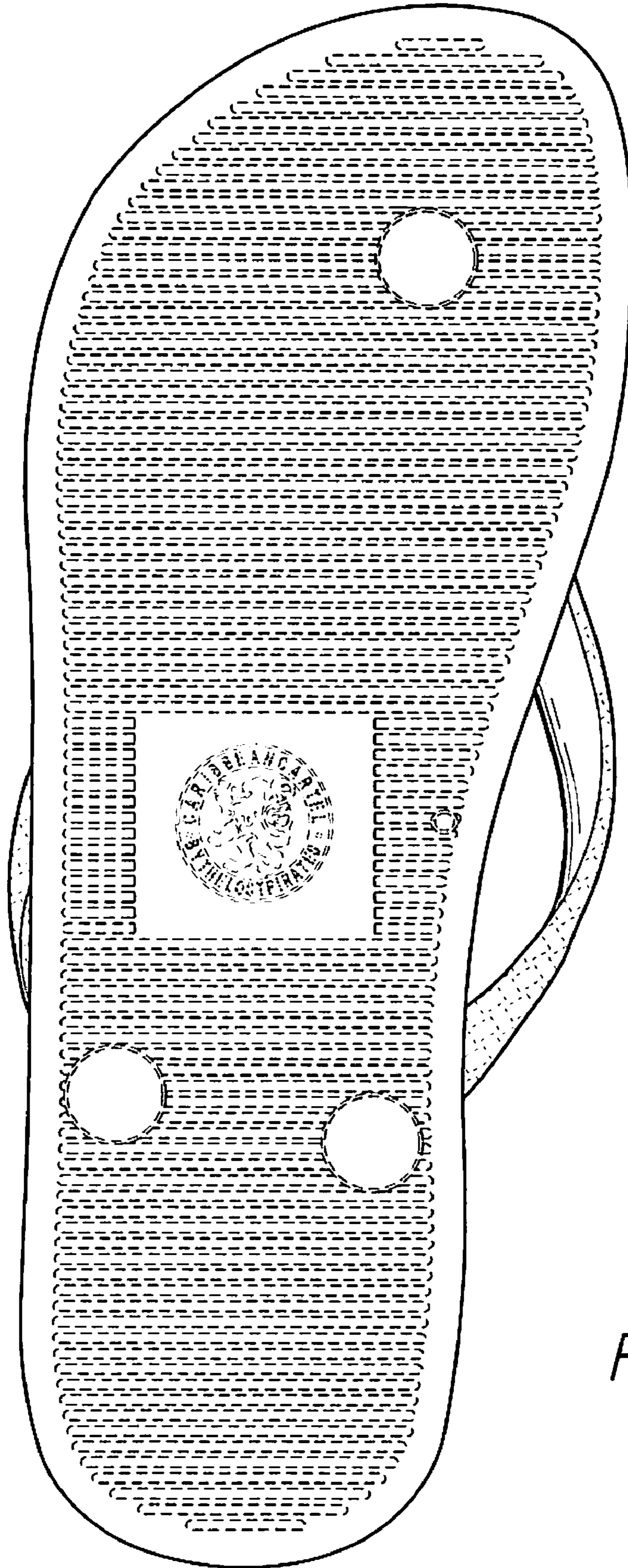


FIG. 20