



US00D599081S

(12) **United States Design Patent**  
**Heer**

(10) **Patent No.:** **US D599,081 S**

(45) **Date of Patent:** **\*\* Sep. 1, 2009**

(54) **BRA WITH WIDE STRAPS**

(75) **Inventor:** **Gillian Frances Heer**, Columbus, OH (US)

(73) **Assignee:** **Lane Bryant Purchasing Corporation**, Columbus, OH (US)

(\*\*) **Term:** **14 Years**

(21) **Appl. No.:** **29/331,617**

(22) **Filed:** **Jan. 29, 2009**

(51) **LOC (9) Cl.** ..... **02-01**

(52) **U.S. Cl.** ..... **D2/706**

(58) **Field of Classification Search** ..... D2/706,  
D2/708, 711, 731, 736; 2/67, 73, 113, 118,  
2/913; 450/50, 65, 70

See application file for complete search history.

(56) **References Cited**

**U.S. PATENT DOCUMENTS**

D188,760 S *	9/1960	Cole	.....	D2/708
D254,937 S *	5/1980	Raimondi	.....	D2/708
D271,440 S *	11/1983	Claridge	.....	D2/708
6,685,535 B2 *	2/2004	Mitchell	.....	450/75
D571,529 S *	6/2008	Cook	.....	D2/706
D587,878 S *	3/2009	Higo et al.	.....	D2/706

**OTHER PUBLICATIONS**

Sassybax Shapewear, Sassybax: Underwire Bra—Comfortable Support Shapewear, Mar. 13, 2009, pp. 1-3, [http://sassybax.com/underwire\\_bralette.php](http://sassybax.com/underwire_bralette.php).

Sassybax Shapewear, Sassybax: Racerbax —Confort of a Sports Bra With Real Support, Mar. 13, 2009, pp. 1-3, <http://sassybax.com/racerbax.php>.

Sassybax Shapewear, Sassybax: Bralette—Most Comfortable Shapewear Bra, Mar. 13, 2009, pp. 1-3, <http://sassybax.com/bralette.php>.

\* cited by examiner

*Primary Examiner*—Ian Simmons

*Assistant Examiner*—Anna J Burmeister

(74) *Attorney, Agent, or Firm*—Eckert Seamans Cherin & Mellott, LLC; David C. Jenkins, Esq.

(57) **CLAIM**

The ornamental design for a bra with wide straps, as shown and described.

**DESCRIPTION**

FIG. 1 is an isometric view of the bra with wide straps;

FIG. 2 is a front view of the bra with wide straps;

FIG. 3 is a back view of the bra with wide straps;

FIG. 4 is a top view of the bra with wide straps;

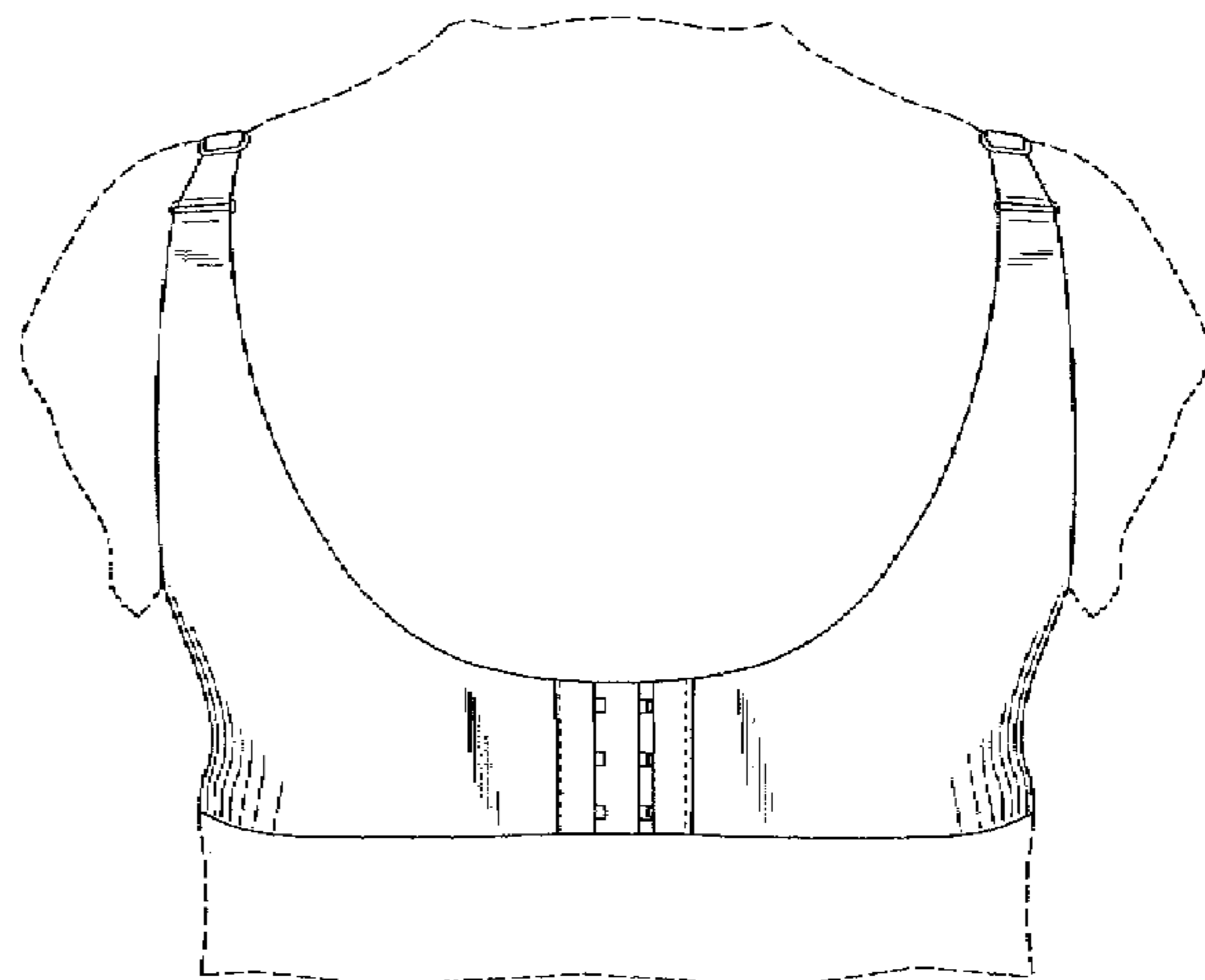
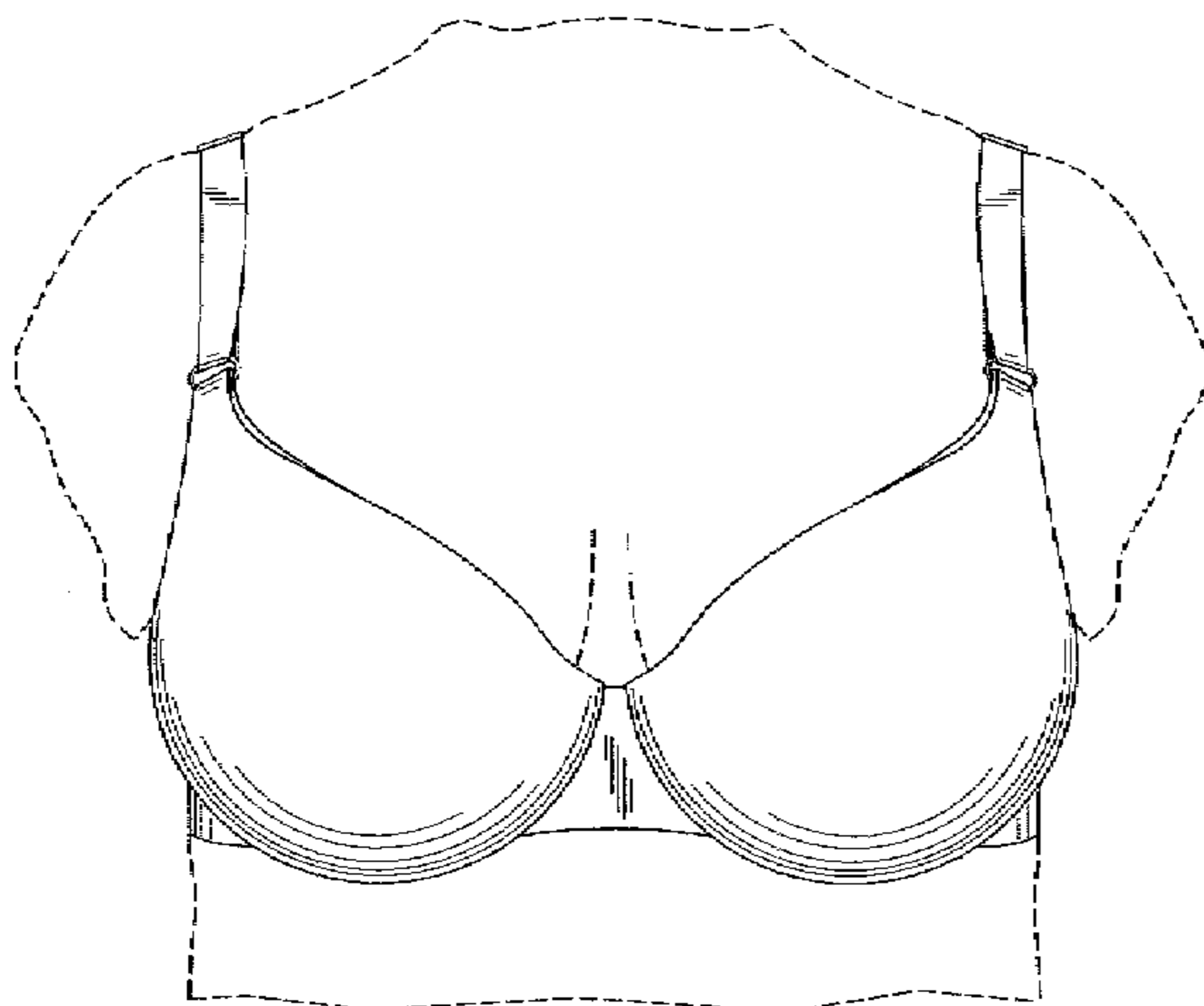
FIG. 5 is a bottom view of the bra with wide straps;

FIG. 6 is a right side view of the bra with wide straps; and,

FIG. 7 is a left side view of the bra with wide straps.

It is noted that the phantom lines depicted in the figures are intended for the purposes of illustration only and are not a part of the design.

**1 Claim, 4 Drawing Sheets**



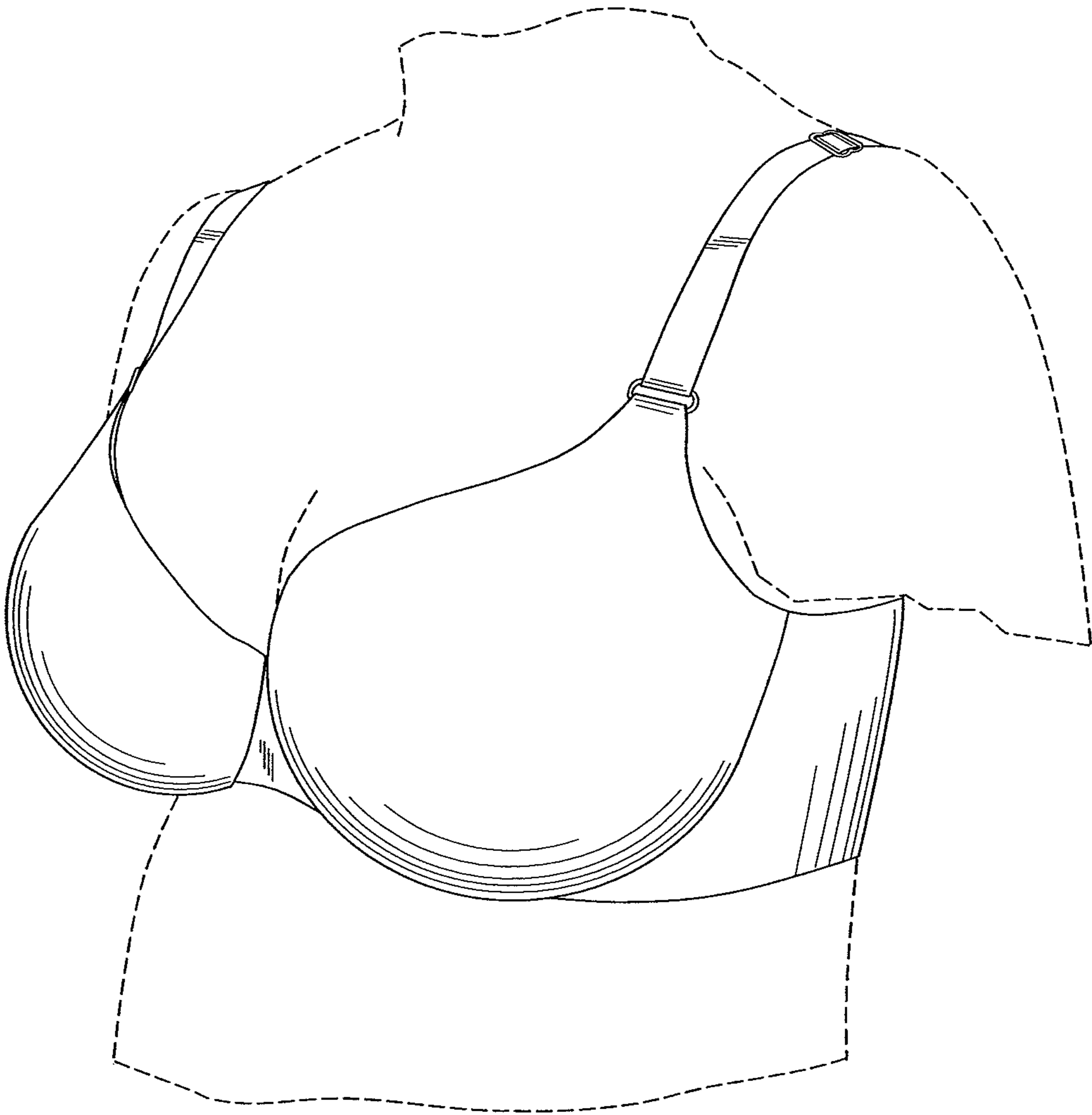


FIG. 1

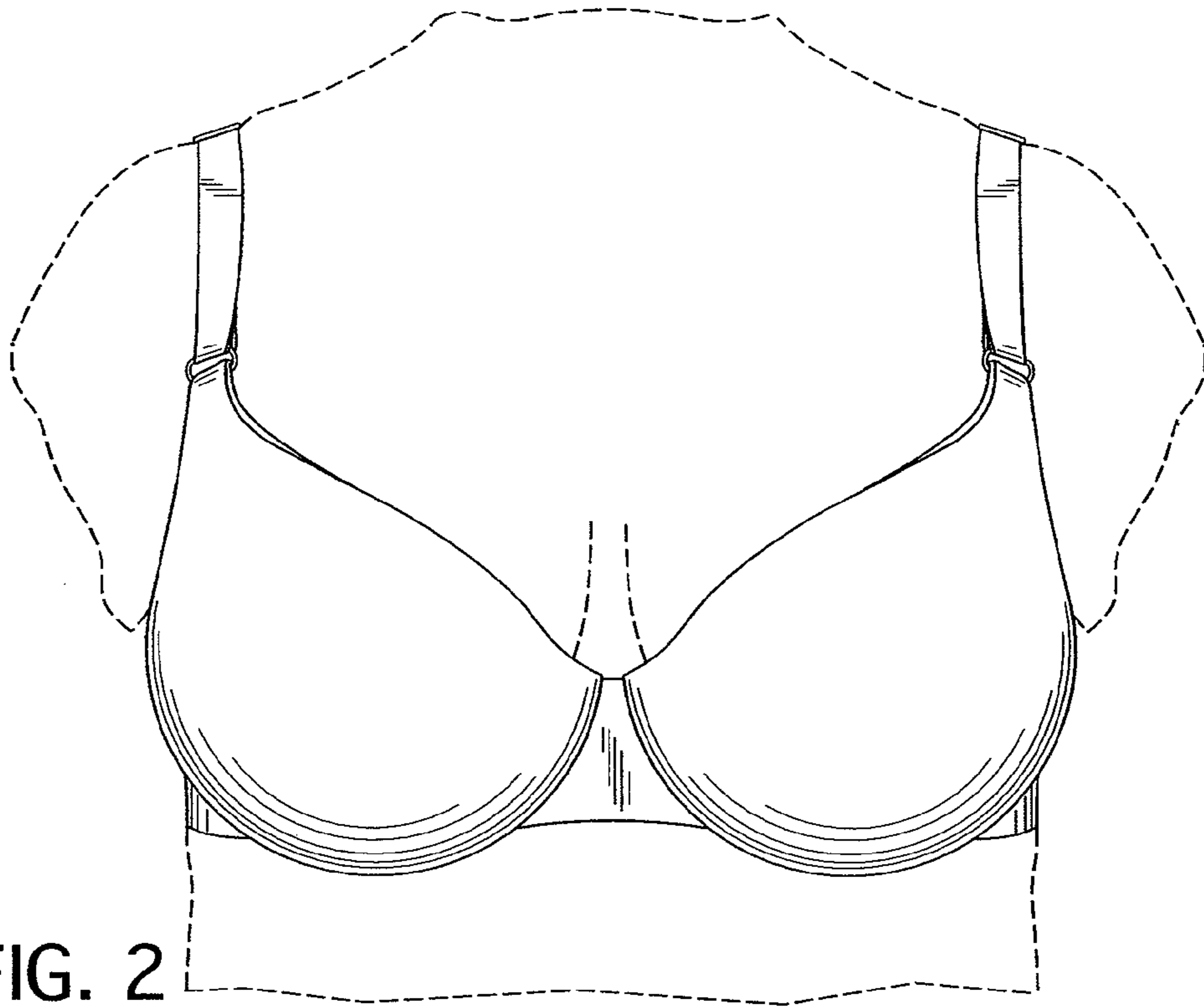


FIG. 2

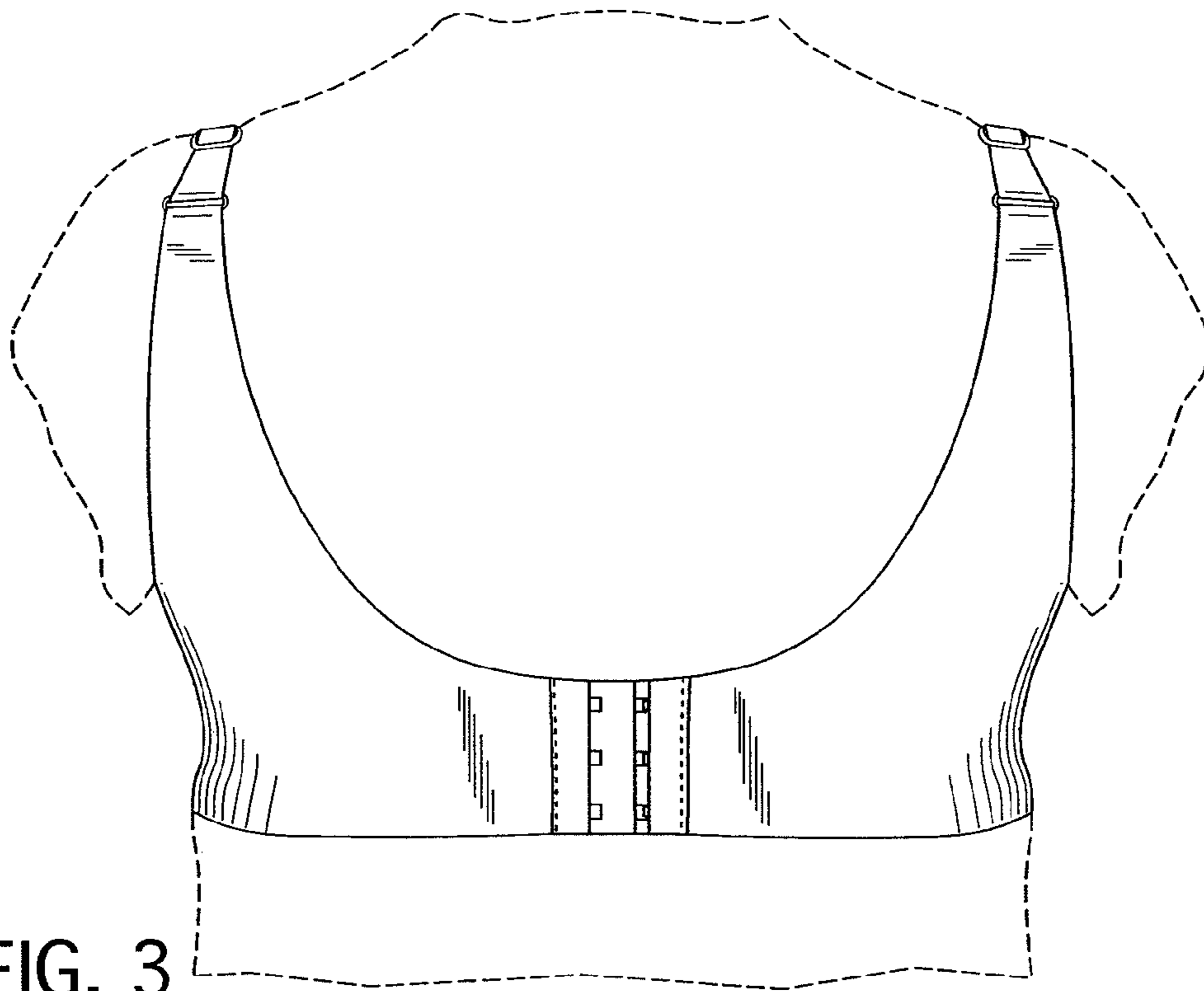


FIG. 3

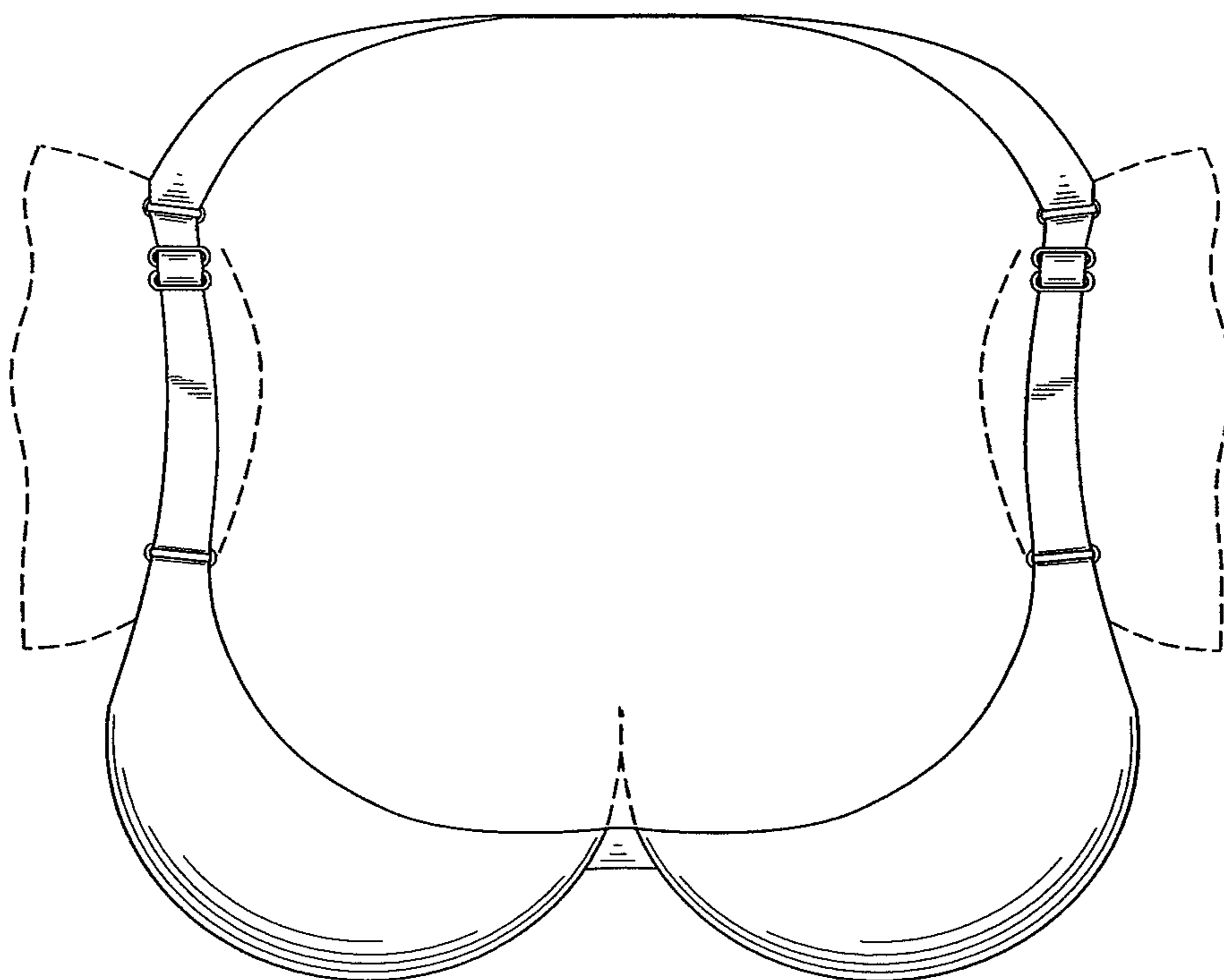


FIG. 4

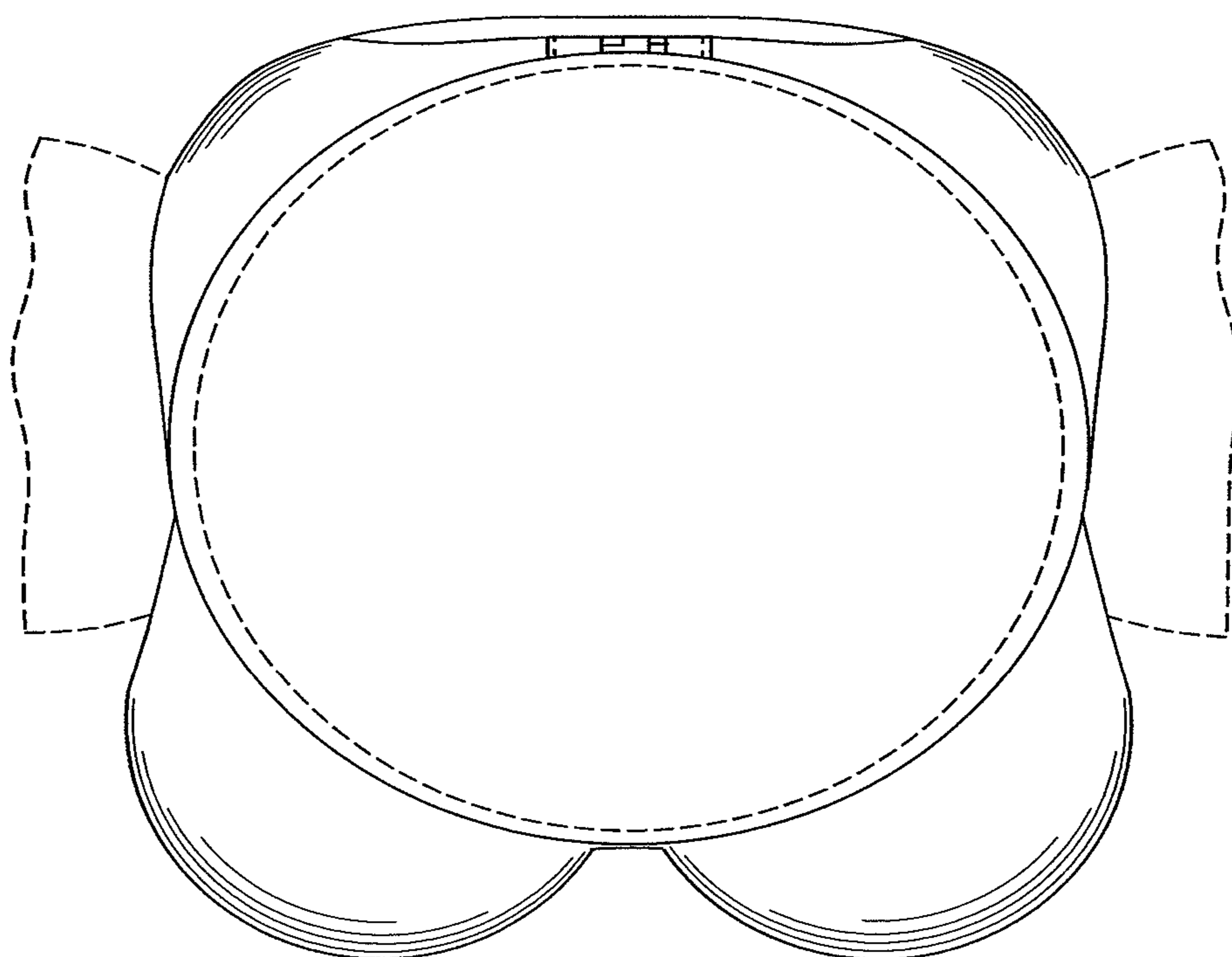


FIG. 5

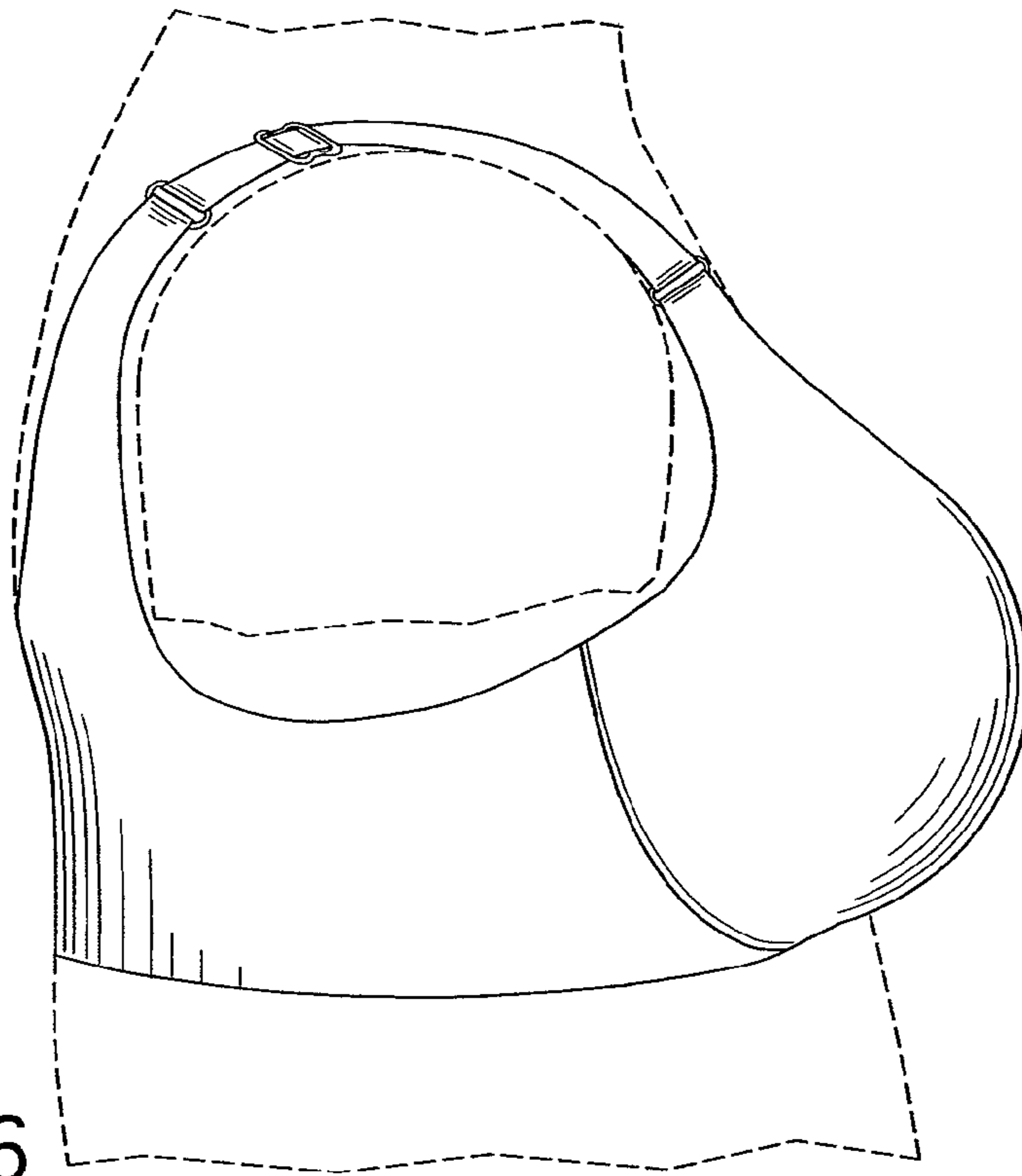


FIG. 6

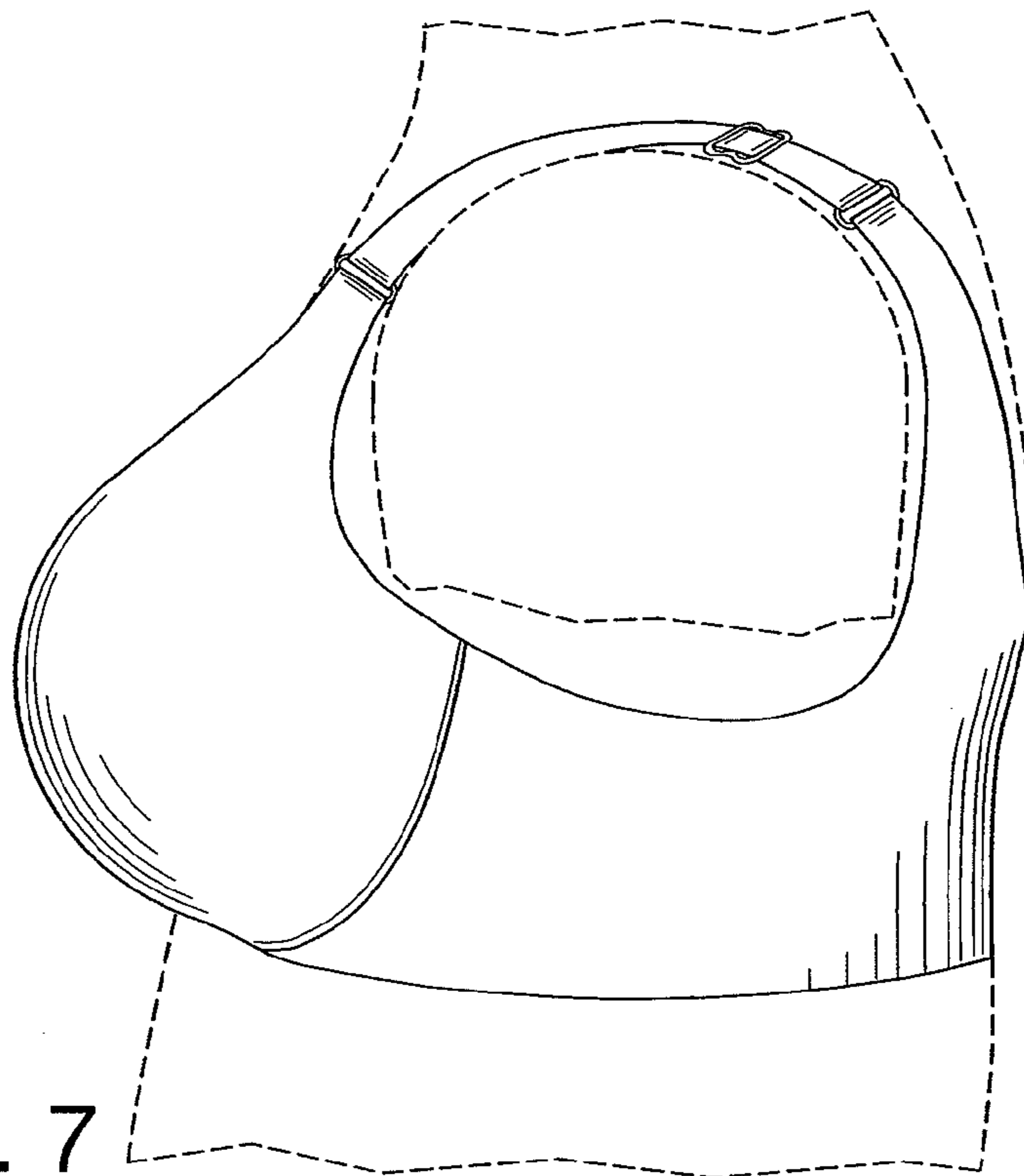


FIG. 7