



US00D599080S

(12) **United States Design Patent**
Pantoja

(10) **Patent No.:** **US D599,080 S**

(45) **Date of Patent:** **** Sep. 1, 2009**

(54) **NON-BUCKLING BELT**

(76) Inventor: **Patricia Pantoja**, 11024 Montgomery
NE. #306, Albuquerque, NM (US) 87111

(**) Term: **14 Years**

(21) Appl. No.: **29/292,942**

(22) Filed: **Nov. 1, 2007**

(51) **LOC (9) Cl.** **02-07**

(52) **U.S. Cl.** **D2/627**

(58) **Field of Classification Search** D2/624-625,
D2/627-628, 629, 631, 639, 640; 2/311-314,
2/316, 319, 321-323, 326-32, 338

See application file for complete search history.

(56) **References Cited**

U.S. PATENT DOCUMENTS

D45,580 S *	4/1914	Ziegler	D2/627
2,400,844 A *	5/1946	Segal	2/339
3,828,370 A *	8/1974	Ihmels	2/322
D308,910 S *	7/1990	Chang	D2/627
D467,703 S *	12/2002	Foutty	D2/627
6,678,898 B2 *	1/2004	Jones et al.	2/321
6,954,946 B2 *	10/2005	Goldfarb et al.	2/338
2005/0060791 A1 *	3/2005	Garrett	2/311

* cited by examiner

Primary Examiner—T. Chase Nelson
Assistant Examiner—Kathleen M Sims

(57) **CLAIM**

I claim the ornamental design for a non-buckling belt, as shown and described.

DESCRIPTION

FIG. 1 is a front partial perspective view of the non-buckling belt showing my new design

FIG. 2 is a front view

FIG. 3 is a rear view

FIG. 4 is a right side view

FIG. 5 is a left side view

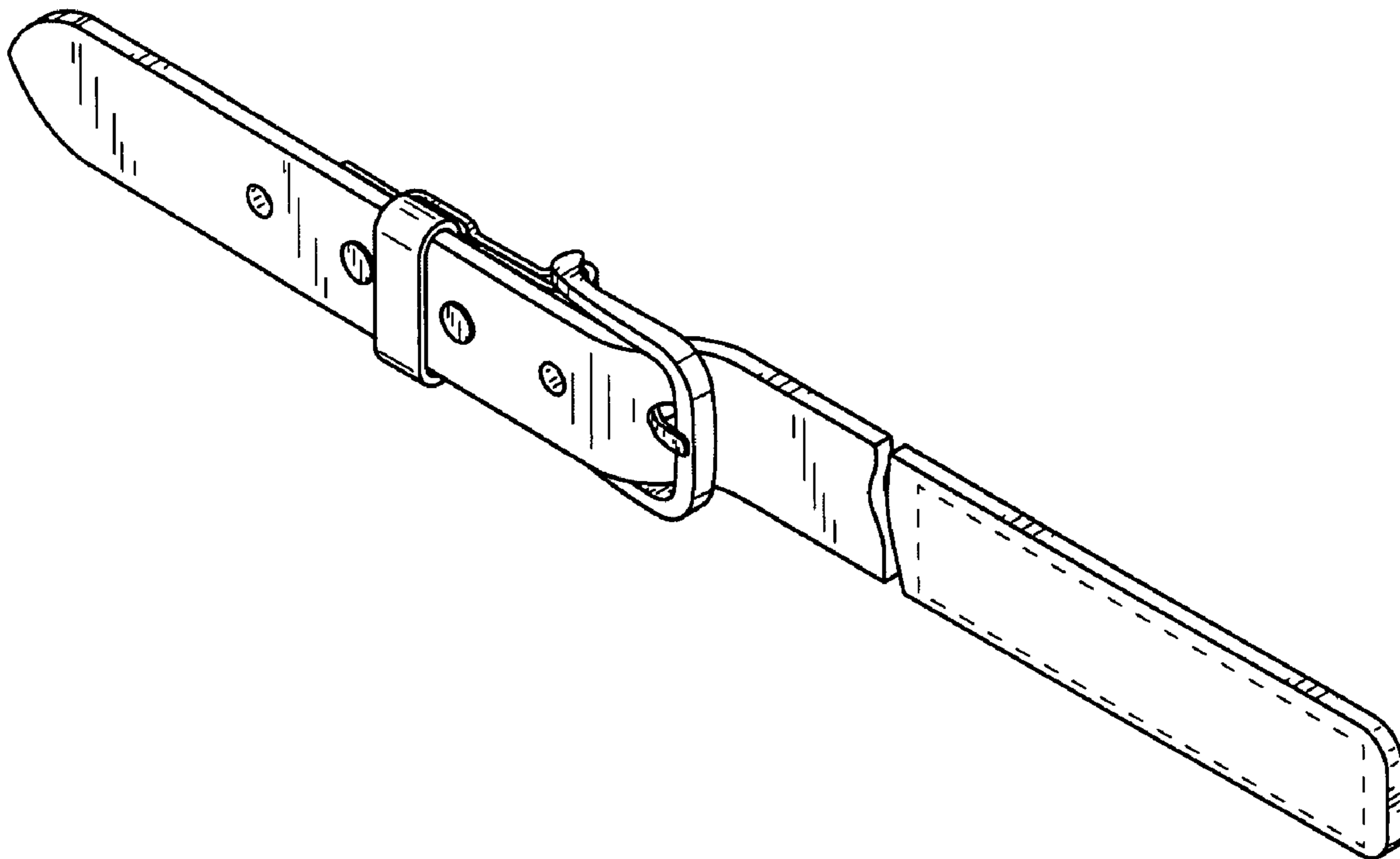
FIG. 6 is a top view

FIG. 7 is a bottom view; and,

FIG. 8 is a full belt length perspective view.

The broken line showing of details in FIGS. 1-3 and 8 is included for the purpose of showing environmental portions of the non-buckling belt and forms no part of the claimed designs. The claim is directed to the full length of the non-buckling belt shown in FIG. 8, and FIGS. 1-3 and 6-7 are shown broken away so that enlarged detail views of the non-buckling belt might be shown.

1 Claim, 5 Drawing Sheets



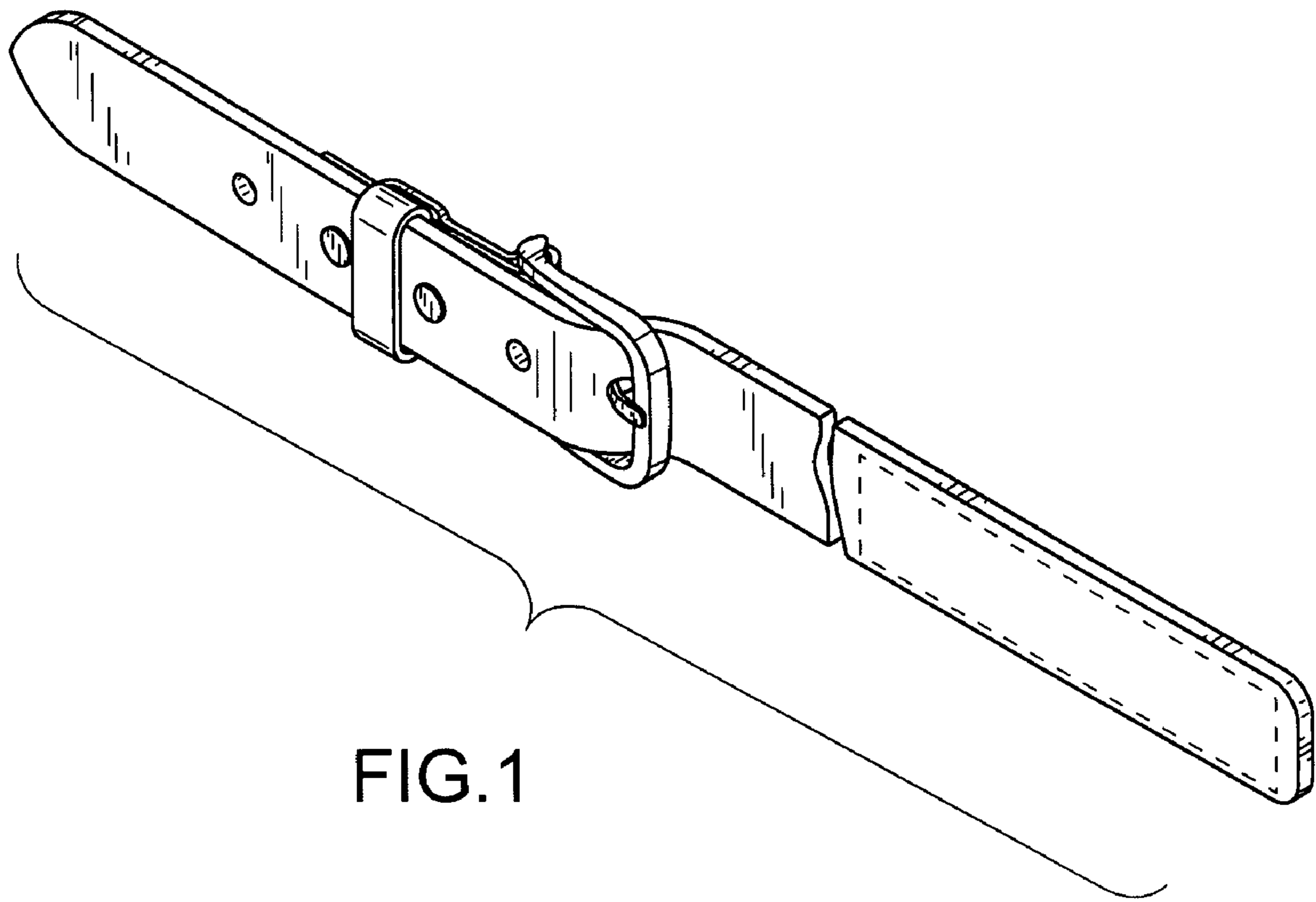


FIG. 1

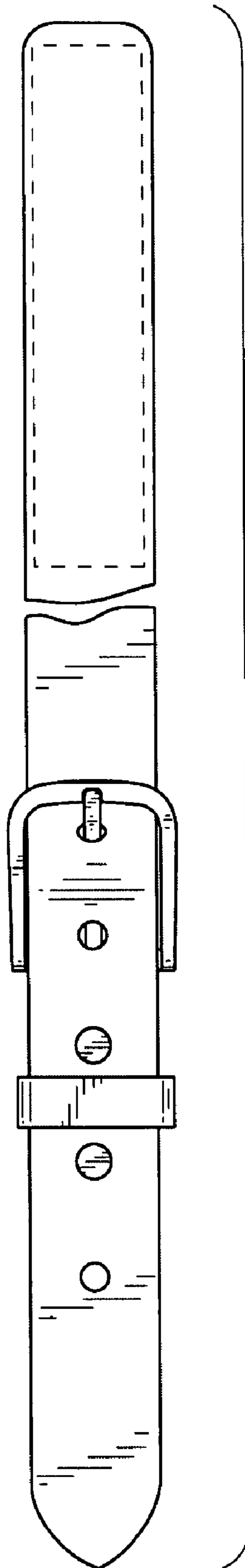


FIG. 2

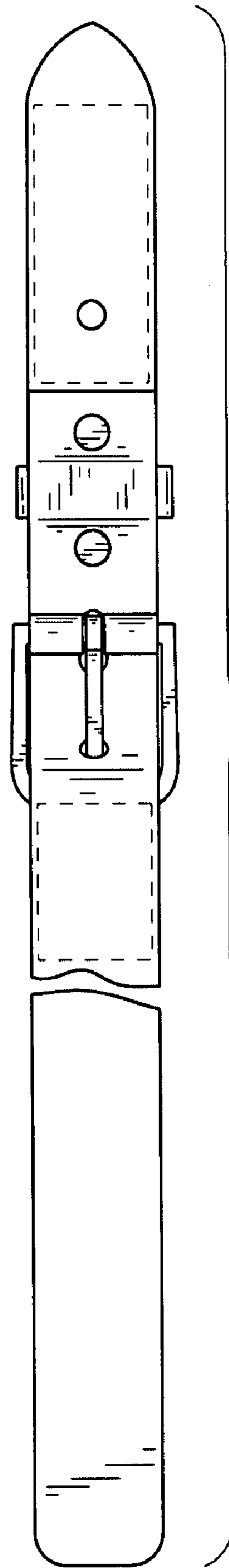


FIG. 3



FIG. 4



FIG. 5

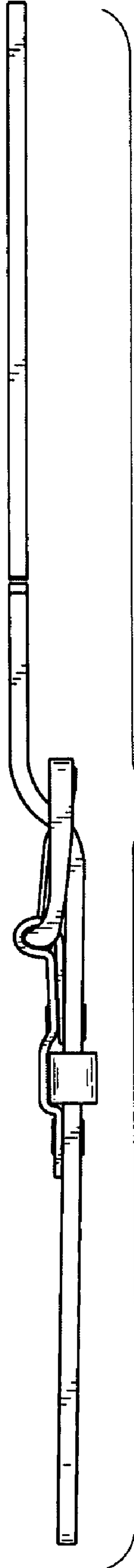


FIG. 6

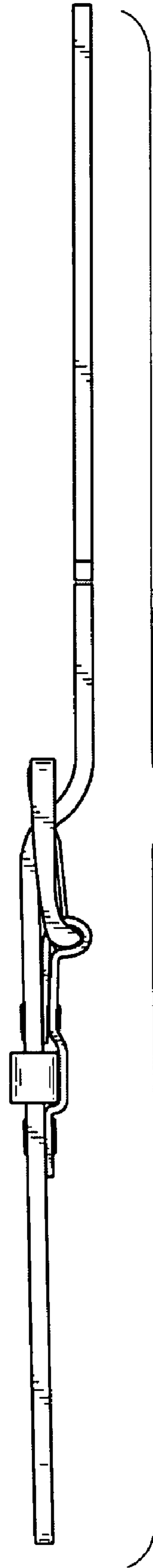


FIG. 7

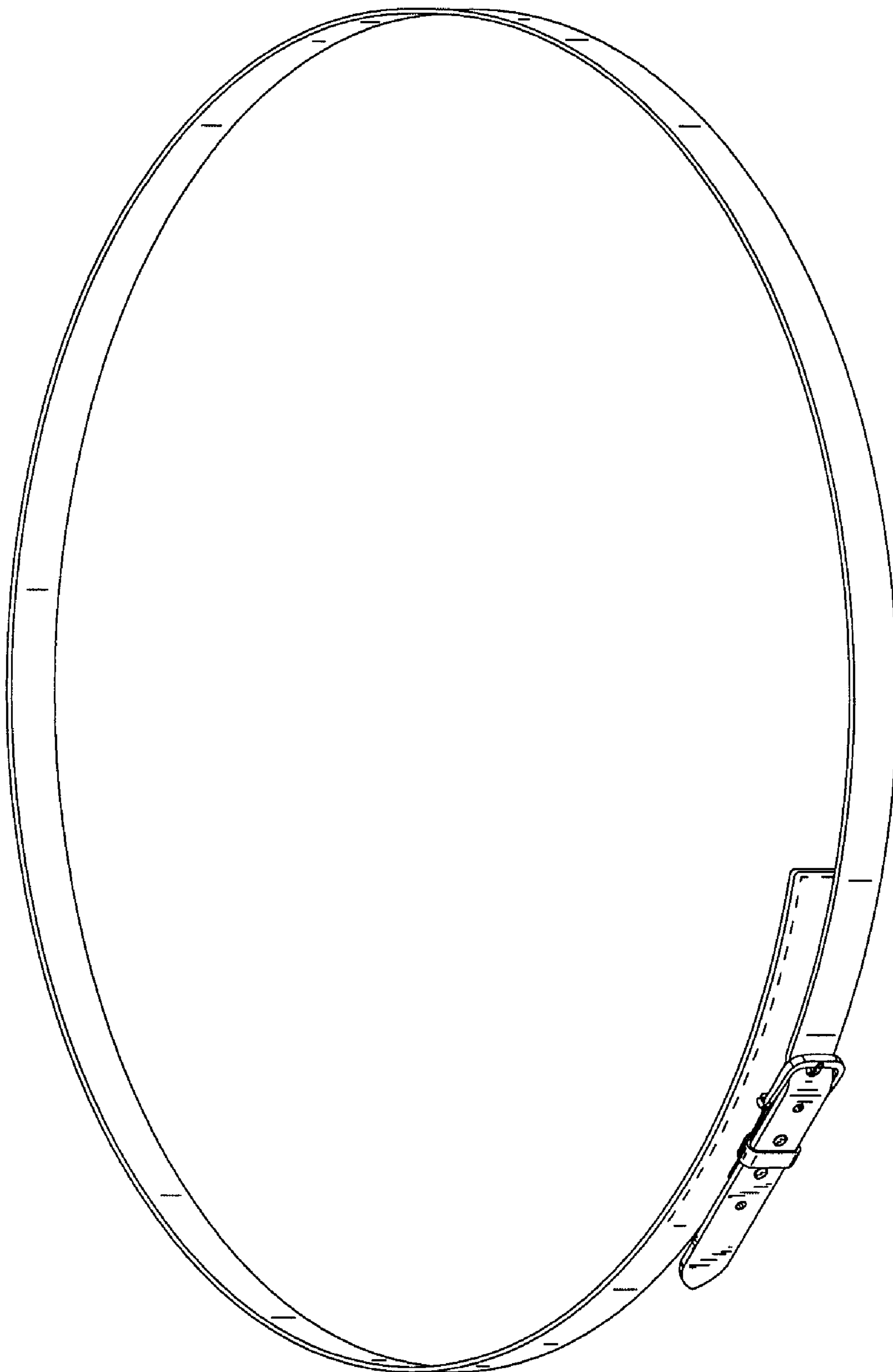


FIG.8