



US00D599075S

(12) **United States Design Patent**
Shibata et al.

(10) **Patent No.:** **US D599,075 S**

(45) **Date of Patent:** **** Aug. 25, 2009**

(54) **DISPLAY PANEL FOR FORKLIFT**

(75) Inventors: **Naoki Shibata**, Nagoya (JP); **Naoki Ishikawa**, Sagamihara (JP)

(73) Assignee: **Mitsubishi Heavy Industries, Ltd.**, Tokyo (JP)

(**) Term: **14 Years**

(21) Appl. No.: **29/309,681**

(22) Filed: **Sep. 25, 2008**

(30) **Foreign Application Priority Data**

Mar. 26, 2008 (JP) 2008-007487

(51) **LOC (9) Cl.** **12-05**

(52) **U.S. Cl.** **D34/35**

(58) **Field of Classification Search** D34/35,
D34/34; D12/192; D13/162, 164; 212/324,
212/326, 327; 414/273, 281; D15/28
See application file for complete search history.

(56) **References Cited**

U.S. PATENT DOCUMENTS

D265,648	S	*	8/1982	Fukushima et al.	D14/247
D275,944	S	*	10/1984	Ito	D12/192
D310,369	S	*	9/1990	Kolenda et al.	D14/258
D329,226	S	*	9/1992	Holbrook	D13/162
D382,569	S	*	8/1997	Esposito	D15/28
D434,425	S	*	11/2000	Rossow et al.	D15/28
D458,229	S	*	6/2002	Albrecht et al.	D13/162
D542,504	S	*	5/2007	Yanagida et al.	D34/35
D557,645	S	*	12/2007	Akagawa et al.	D12/192
D559,792	S	*	1/2008	Gemme et al.	D13/164
D564,456	S	*	3/2008	Weiler et al.	D13/162
D581,624	S	*	11/2008	Kato	D34/35

FOREIGN PATENT DOCUMENTS

JP D1279223 8/2006

OTHER PUBLICATIONS

A display Panel for a forklift (Nissan Motor Co., Ltd.), first disclosed Jan. 22, 2007.

A display Panel for a forklift, (displays of four (4) different manufacturers, with publication dates as follows: Toyota 1 & Toyota 2: Aug. 22, 2006; Komatsu: Jan. 28, 2005; and Caterpillar: Sep. 29, 2005).

* cited by examiner

Primary Examiner—Cynthia E Ramirez

(74) *Attorney, Agent, or Firm*—Birch, Stewart, Kolasch & Birch, LLP

(57) **CLAIM**

The ornamental design for a display panel for forklift, as shown and described.

DESCRIPTION

FIG. 1 is a perspective view of a display panel for a forklift showing our new design;

FIG. 2 is a front elevation view thereof;

FIG. 3 is a rear elevation view thereof.

FIG. 4 is a top plan view thereof.

FIG. 5 is a bottom plan view thereof.

FIG. 6 is a left side elevation view thereof.

FIG. 7 is a right side elevation view thereof.

FIG. 8 is a referential front view showing energization condition thereof; and,

FIG. 9 is a referential view showing use thereof.

The portion of the article shown in broken lines in FIG. 8 and the steering wheel shown in broken lines in FIG. 9 are shown for illustrative purpose only and forms no part of the claimed design.

1 Claim, 9 Drawing Sheets

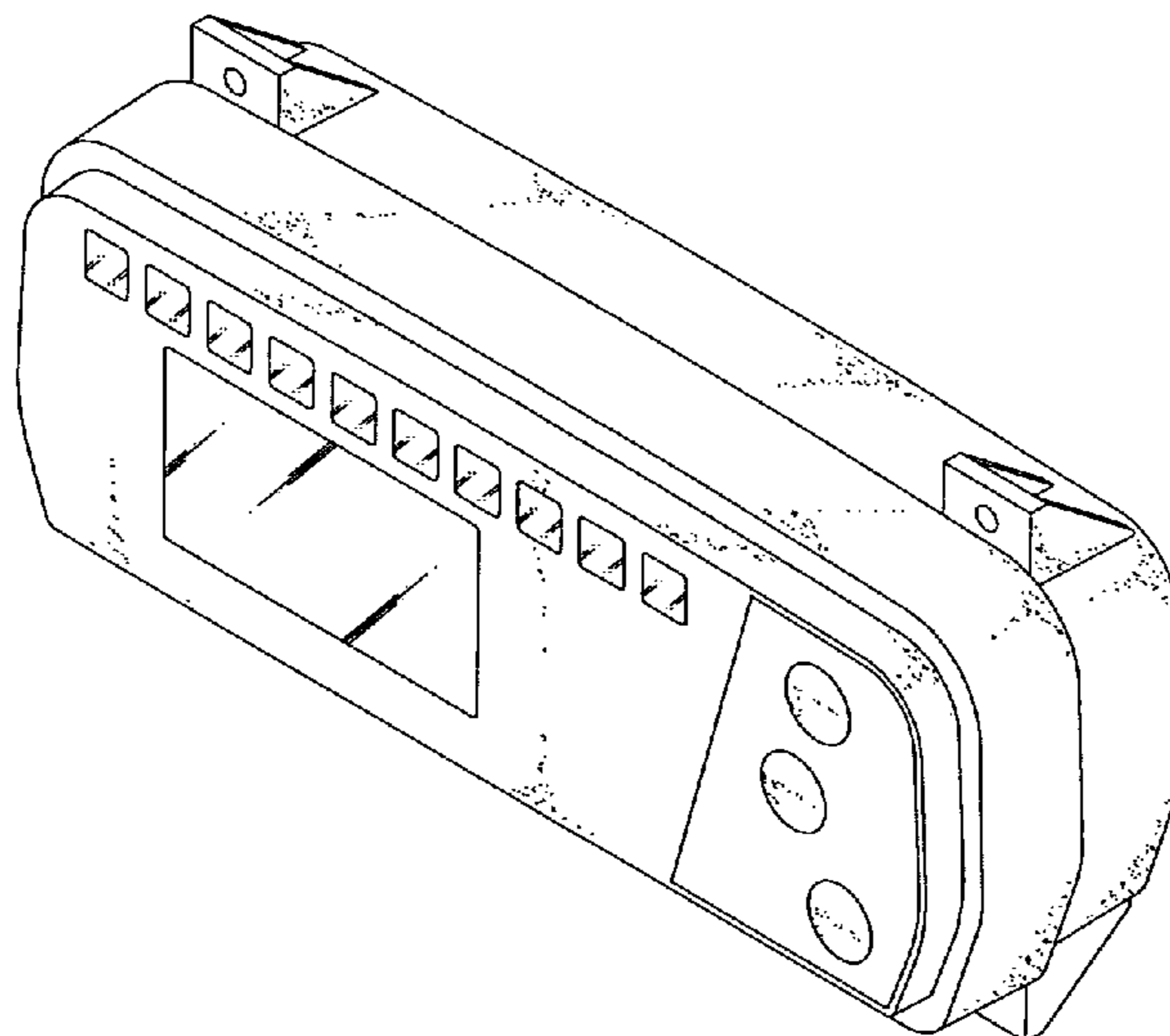


FIG. 1

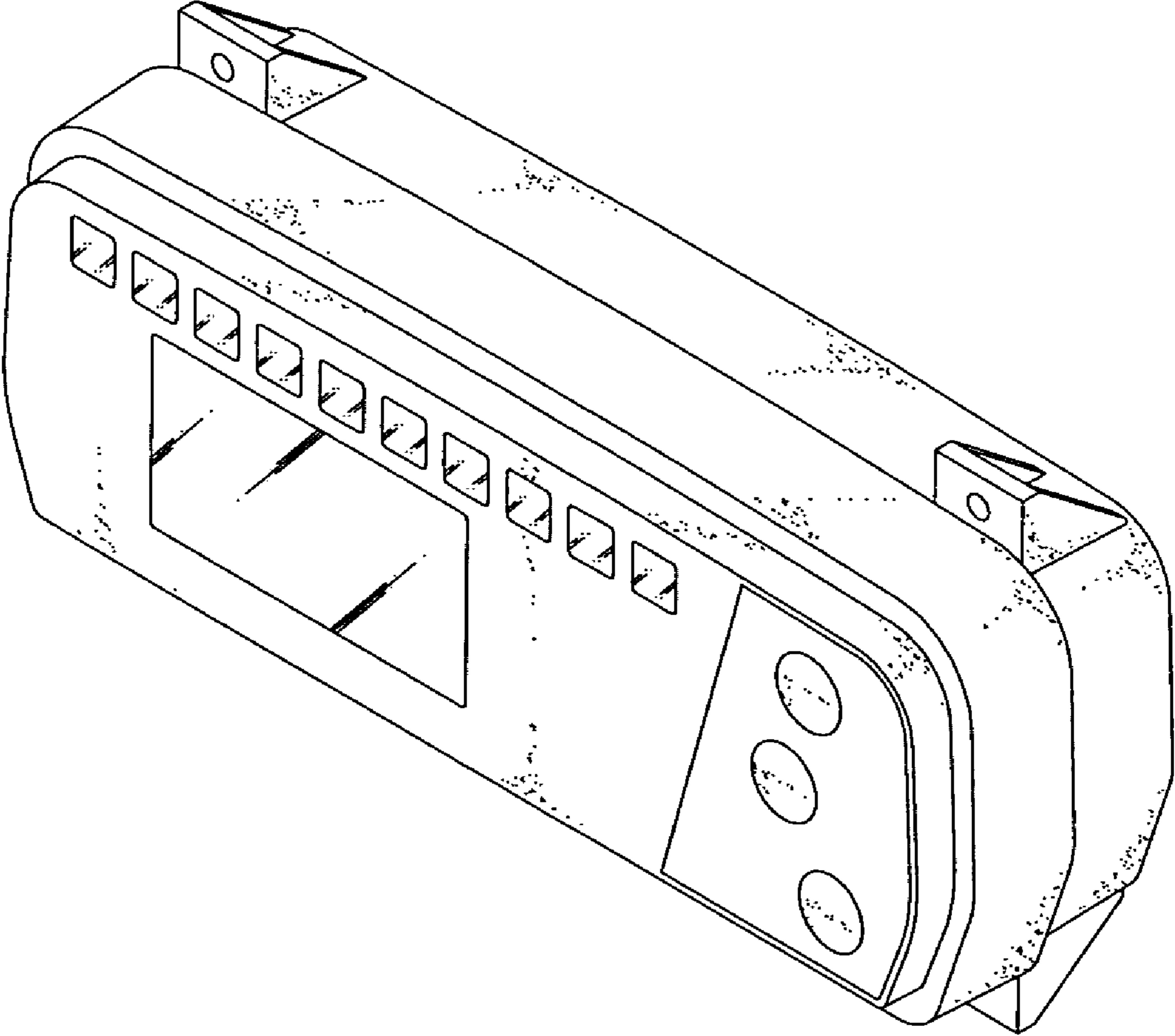


FIG. 2

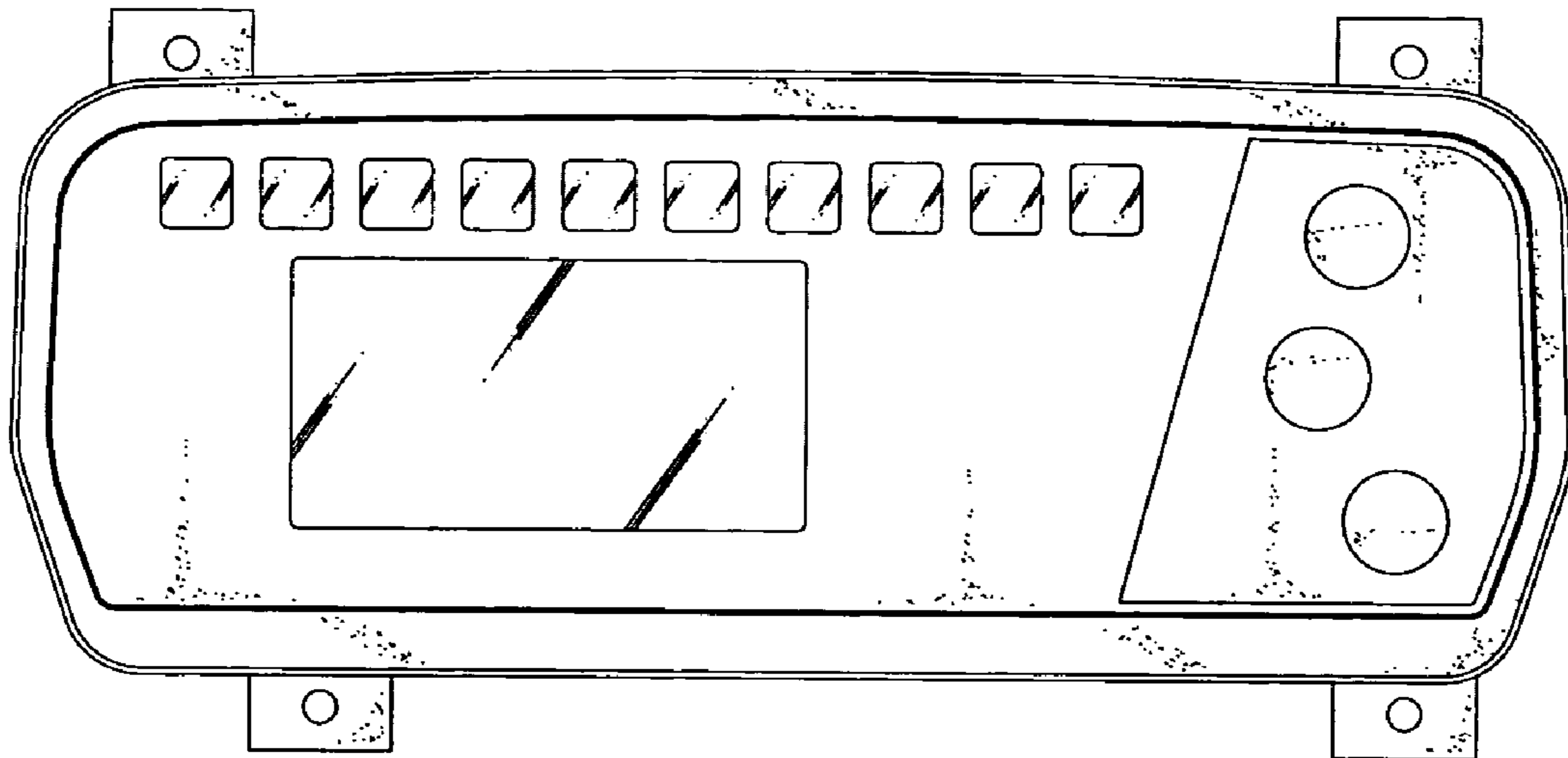


FIG. 3

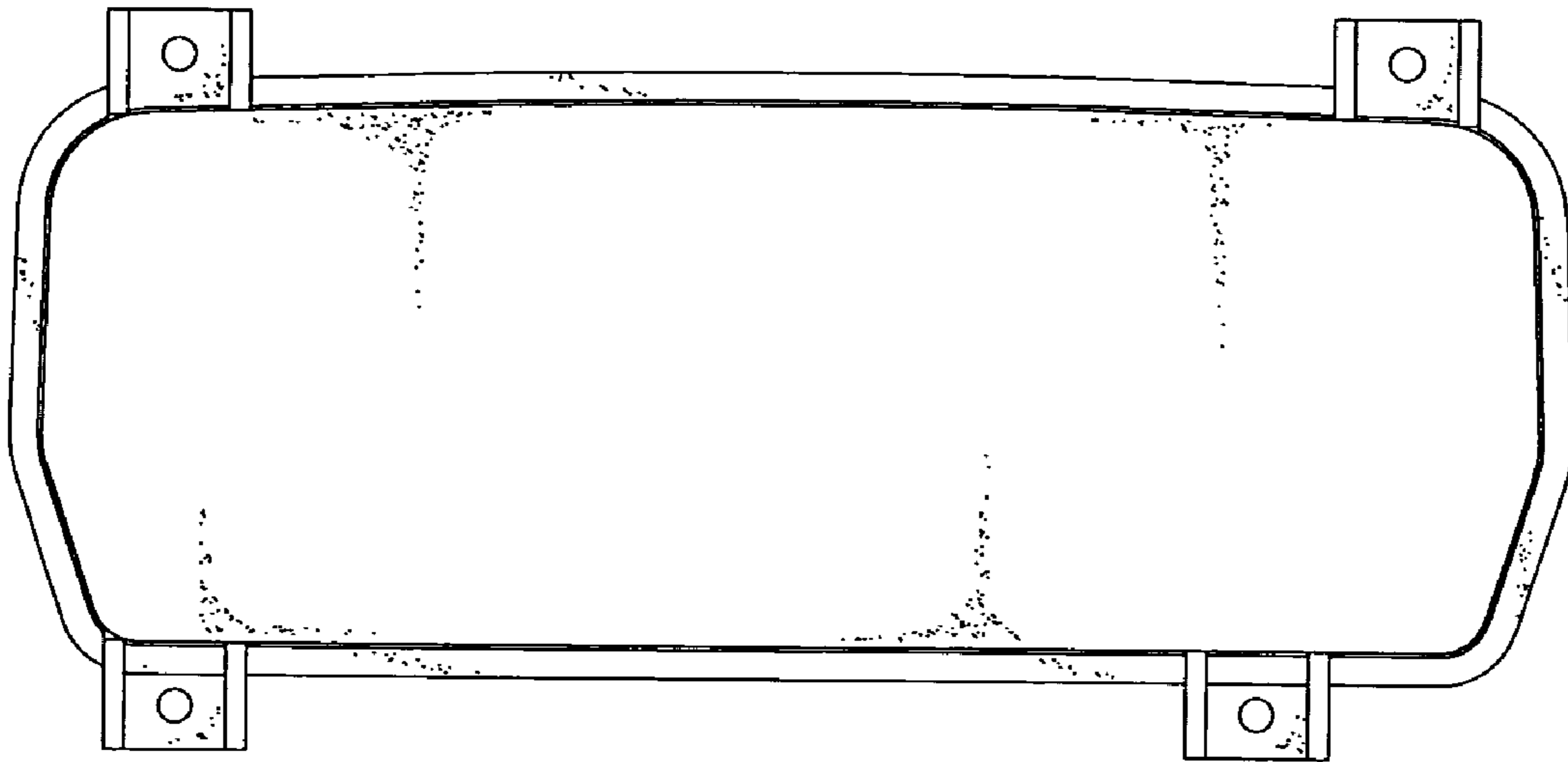


FIG. 4

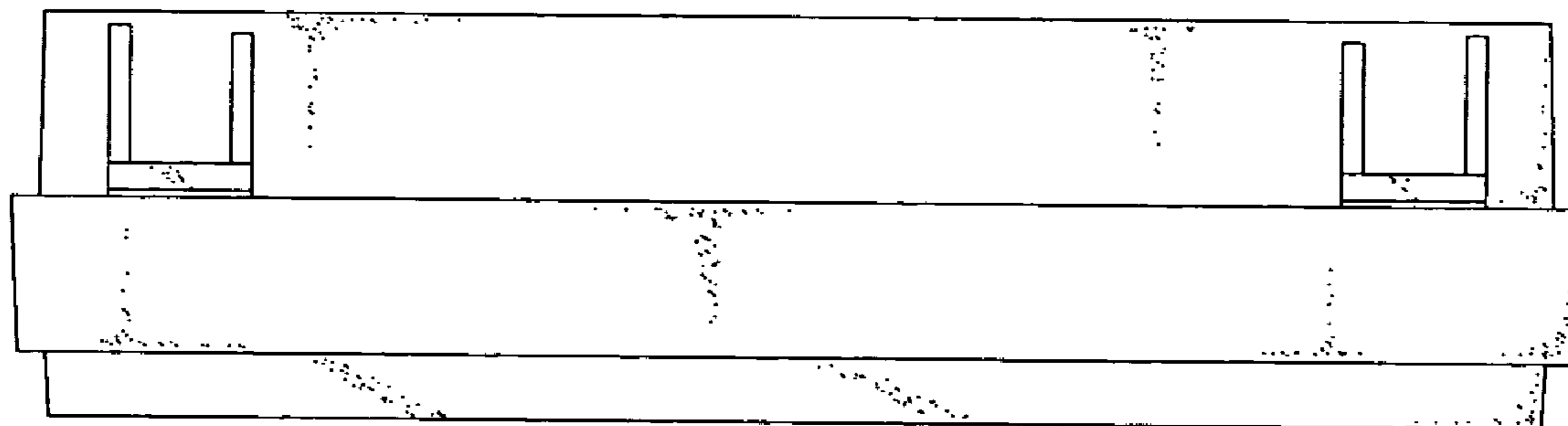


FIG. 5

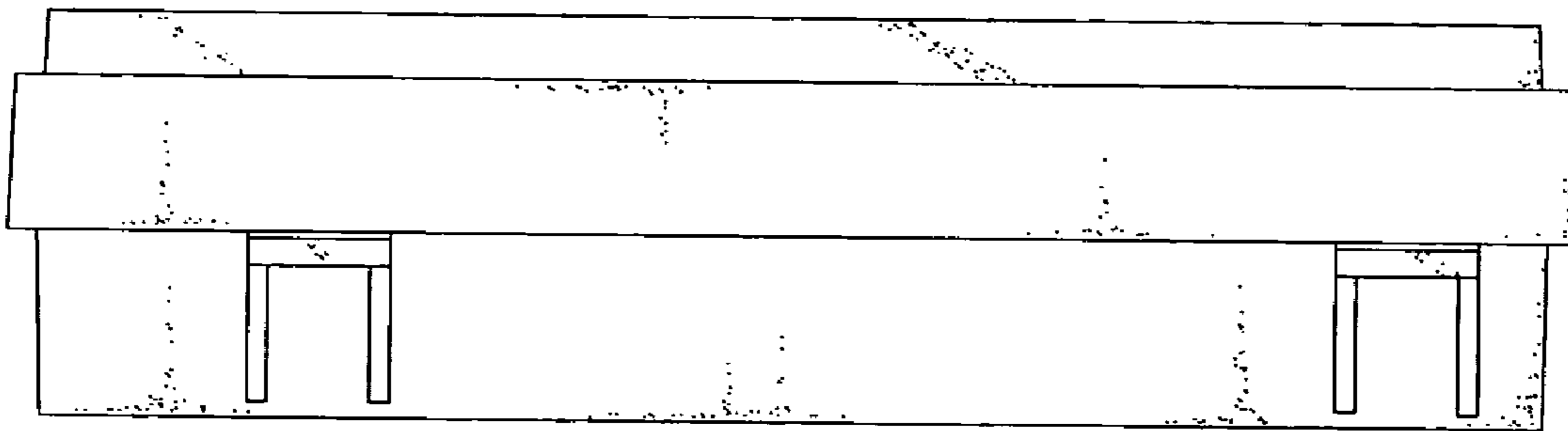


FIG. 6

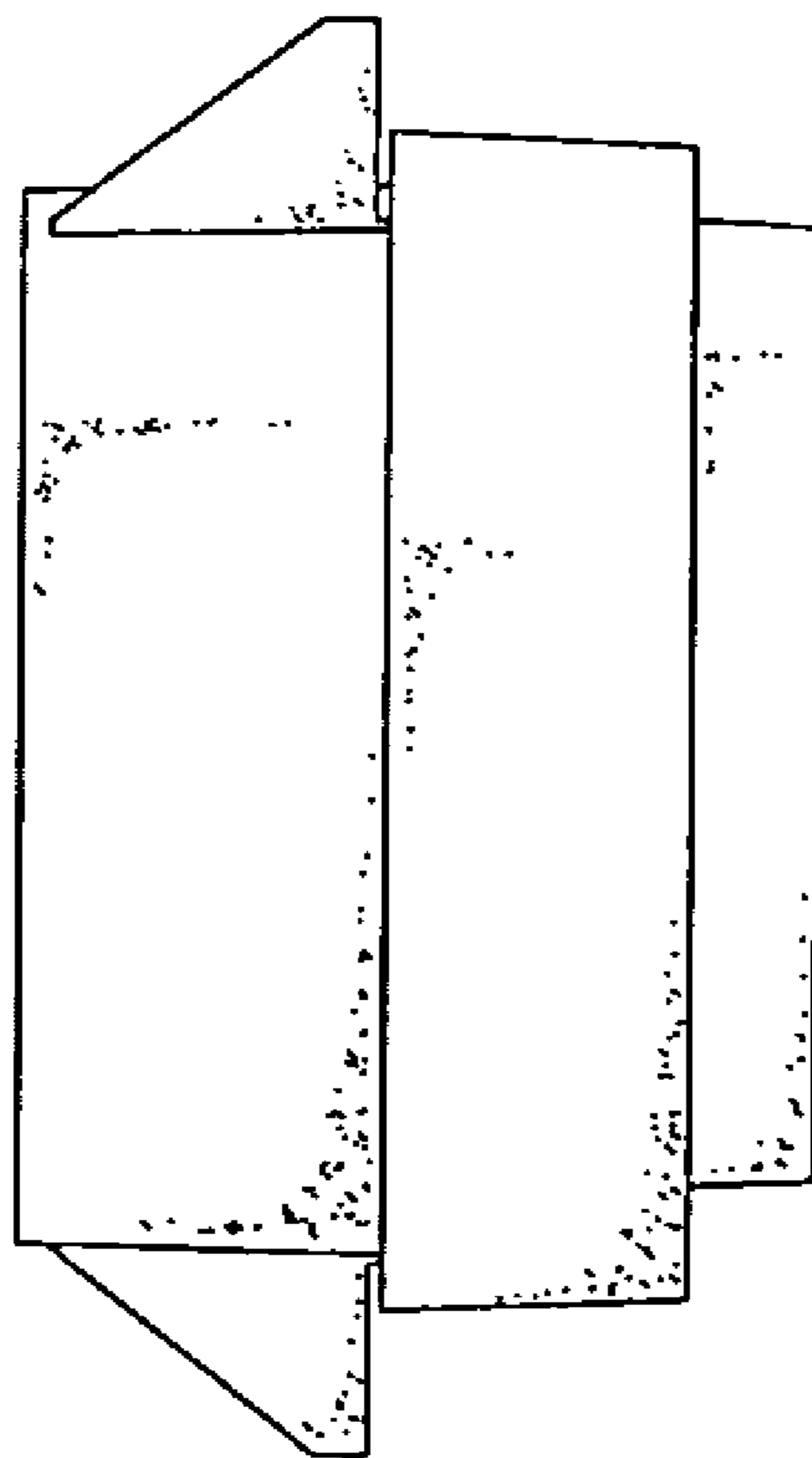


FIG. 7

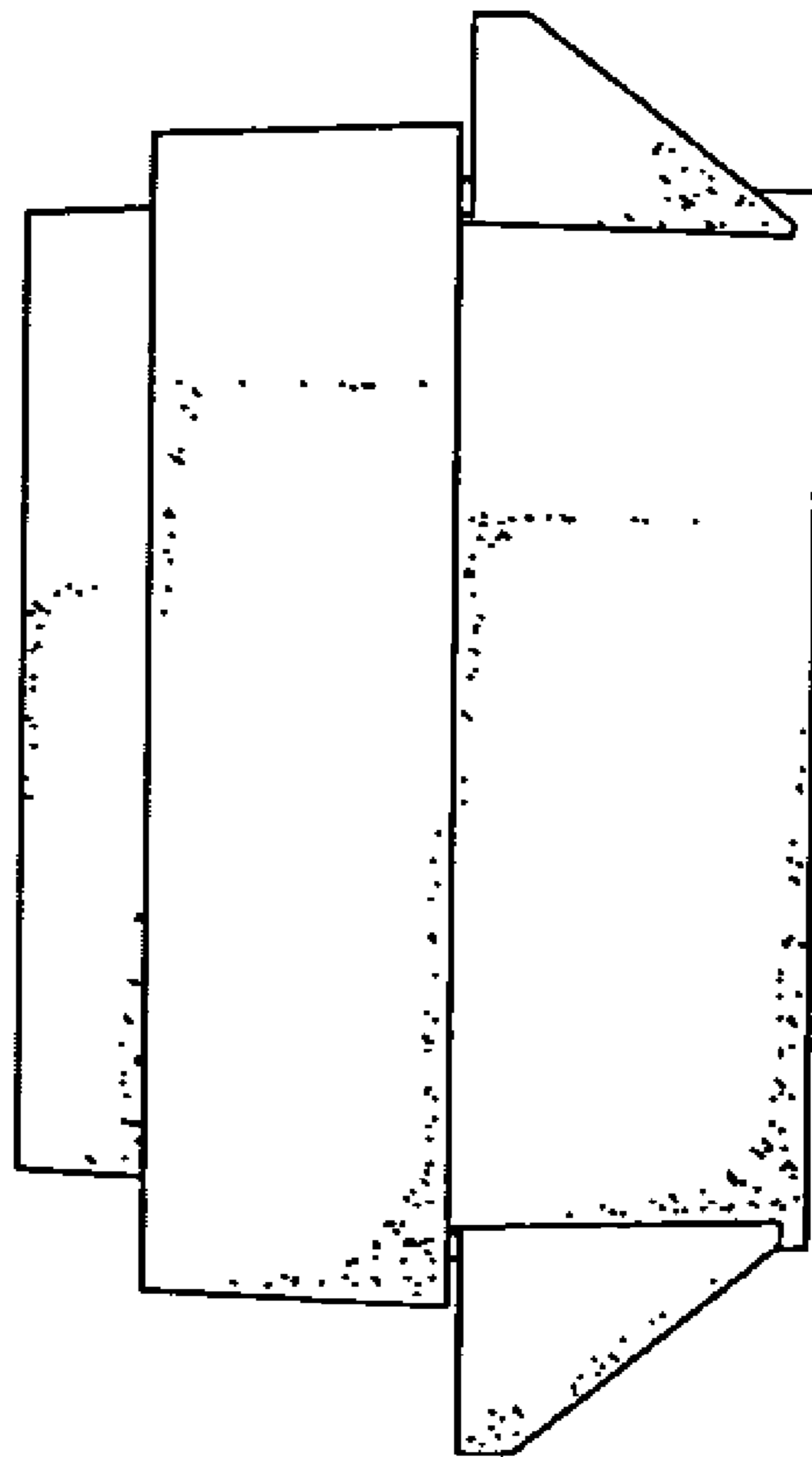


FIG. 8

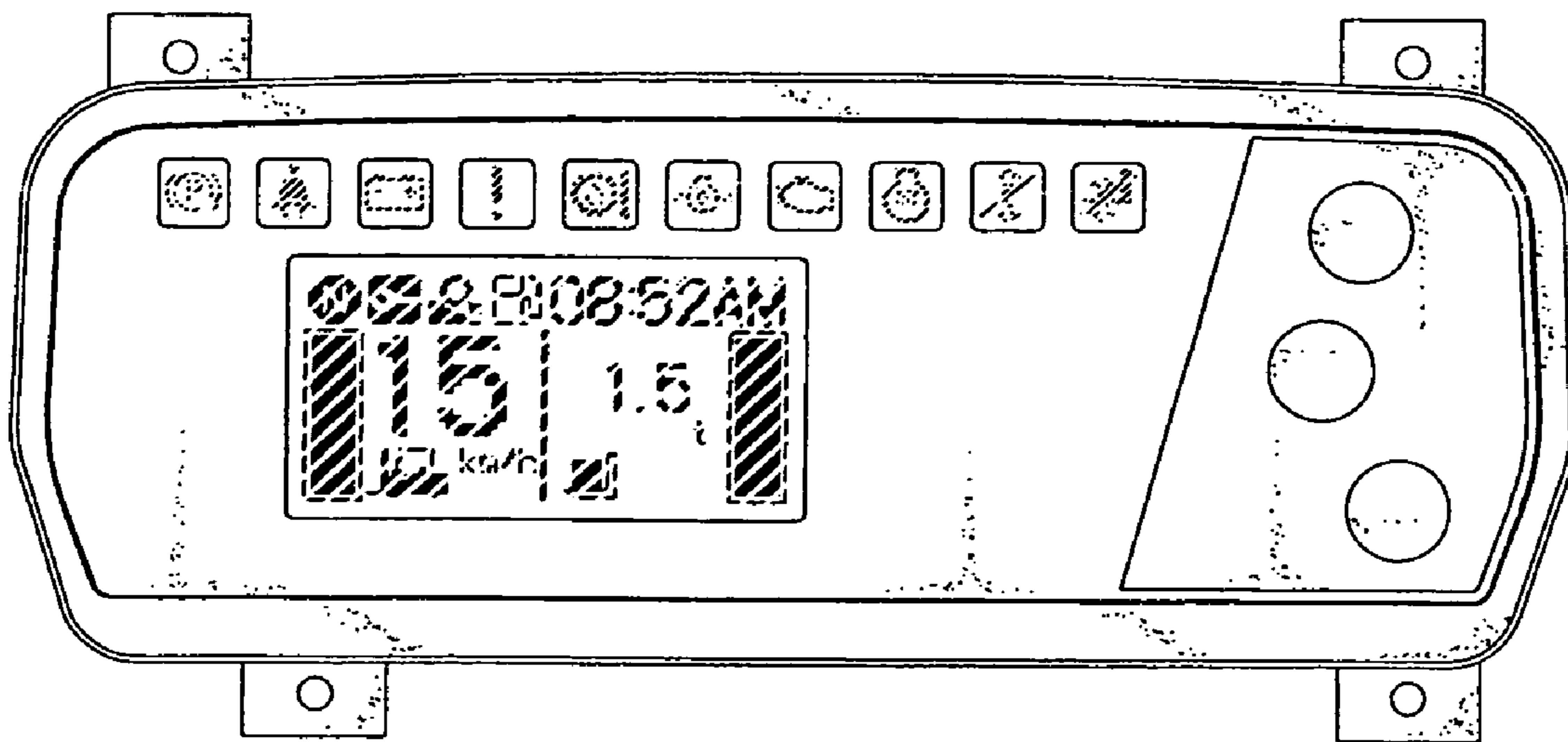


FIG. 9

