



US00D599073S

(12) **United States Design Patent**
Caleca

(10) **Patent No.:** **US D599,073 S**

(45) **Date of Patent:** **** Aug. 25, 2009**

(54) **DUSTPAN**

(76) **Inventor:** **Serge Caleca**, 2920 Cantegra Glen,
Escondido, CA (US) 92025

(**) **Term:** **14 Years**

(21) **Appl. No.:** **29/330,196**

(22) **Filed:** **Dec. 30, 2008**

(51) **LOC (9) Cl.** **07-05**

(52) **U.S. Cl.** **D32/74**

(58) **Field of Classification Search** D32/74;
15/257.1, 257.4, 257.8, 257.9, 257.3; D34/1;
D4/199

See application file for complete search history.

(56) **References Cited**

U.S. PATENT DOCUMENTS

5,012,542	A *	5/1991	Lynn	15/1
5,325,565	A *	7/1994	Suzuki	15/257.4
5,343,589	A *	9/1994	Davenport	15/257.4
5,457,844	A *	10/1995	Hanna et al.	15/257.3
5,715,564	A *	2/1998	Knouse	15/257.3
D393,120	S *	3/1998	Leonard et al.	D32/74
D402,780	S *	12/1998	Alt	D32/74
D441,933	S *	5/2001	Savage et al.	D34/1

6,282,745	B1 *	9/2001	Alt	15/257.4
D468,879	S *	1/2003	Perelli	D32/74
6,732,402	B1 *	5/2004	Hsu	15/257.6
D545,022	S *	6/2007	Morad	D32/74
D551,820	S *	9/2007	Morad	D32/74

* cited by examiner

Primary Examiner—Pamela J Burgess

(74) *Attorney, Agent, or Firm*—Eric Hanscom; Todd Langford

(57) **CLAIM**

The ornamental design for a dustpan, as shown and described.

DESCRIPTION

FIG. 1 is a top, front perspective view of a dustpan showing my new design;

FIG. 2 is a top plan view thereof;

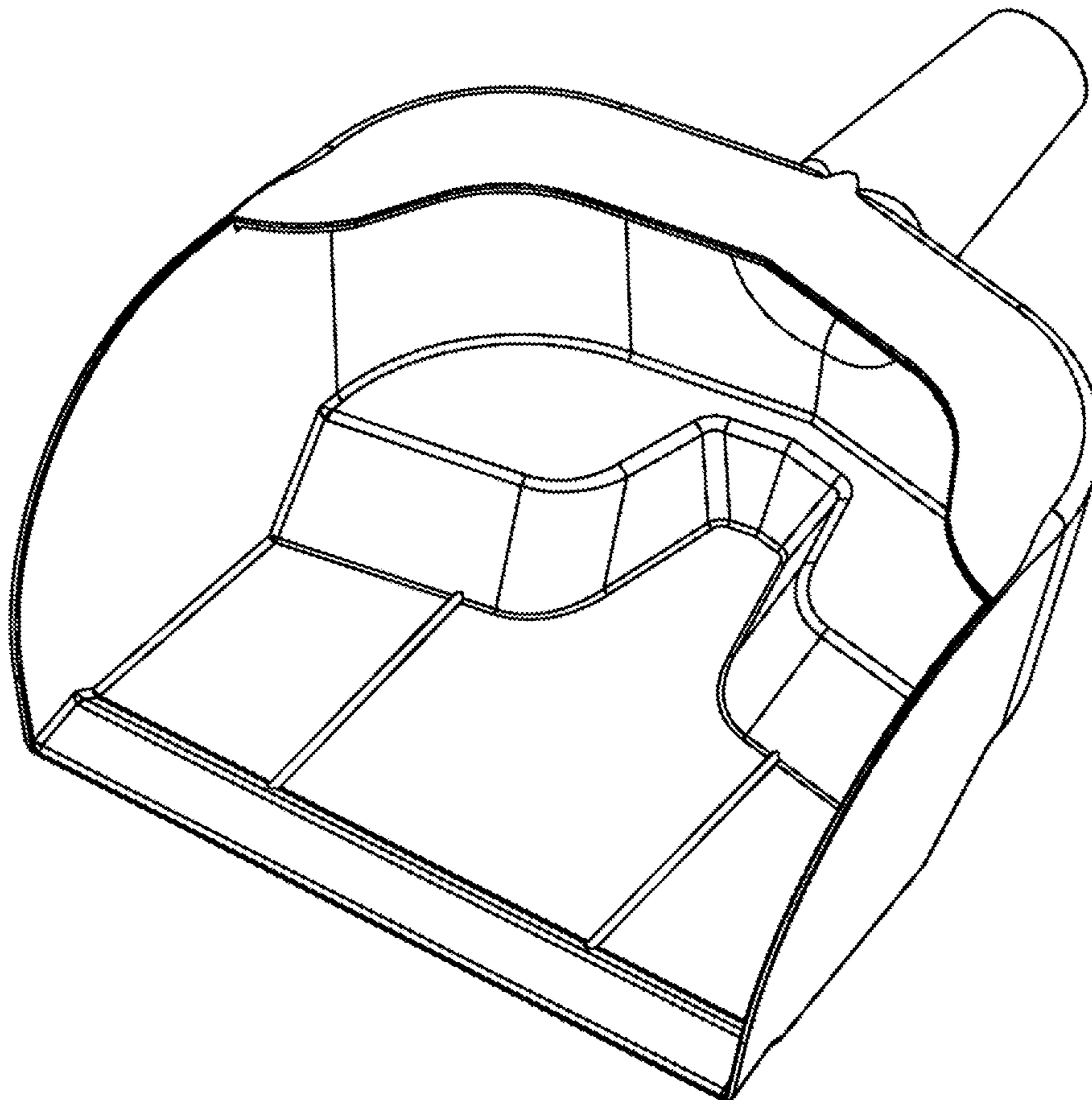
FIG. 3 is a bottom plan view thereof;

FIG. 4 is a left side view thereof, the right side being a mirror image;

FIG. 5 is a rear elevational view thereof; and,

FIG. 6 is a front elevational view thereof.

1 Claim, 6 Drawing Sheets



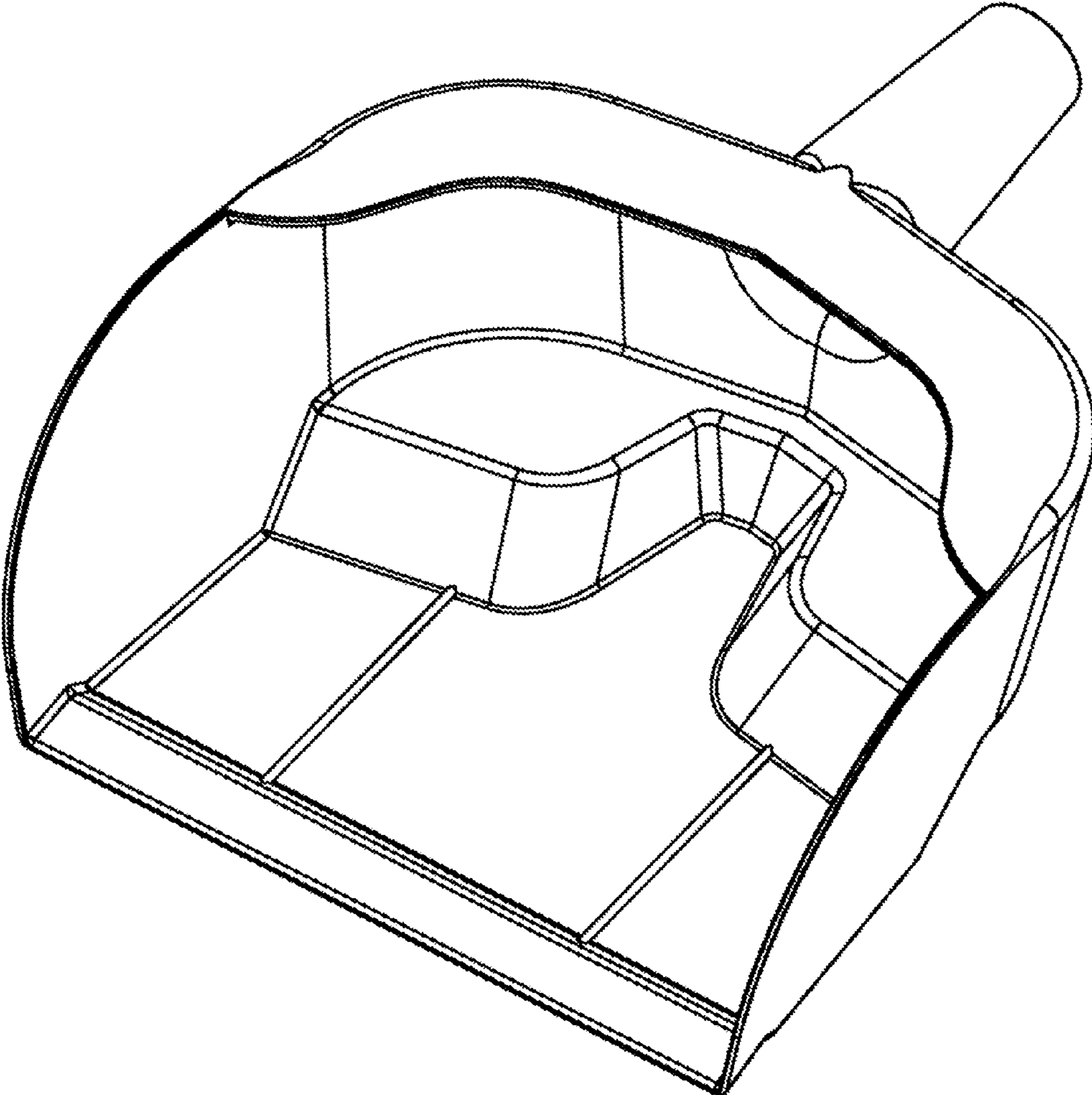


Figure 1

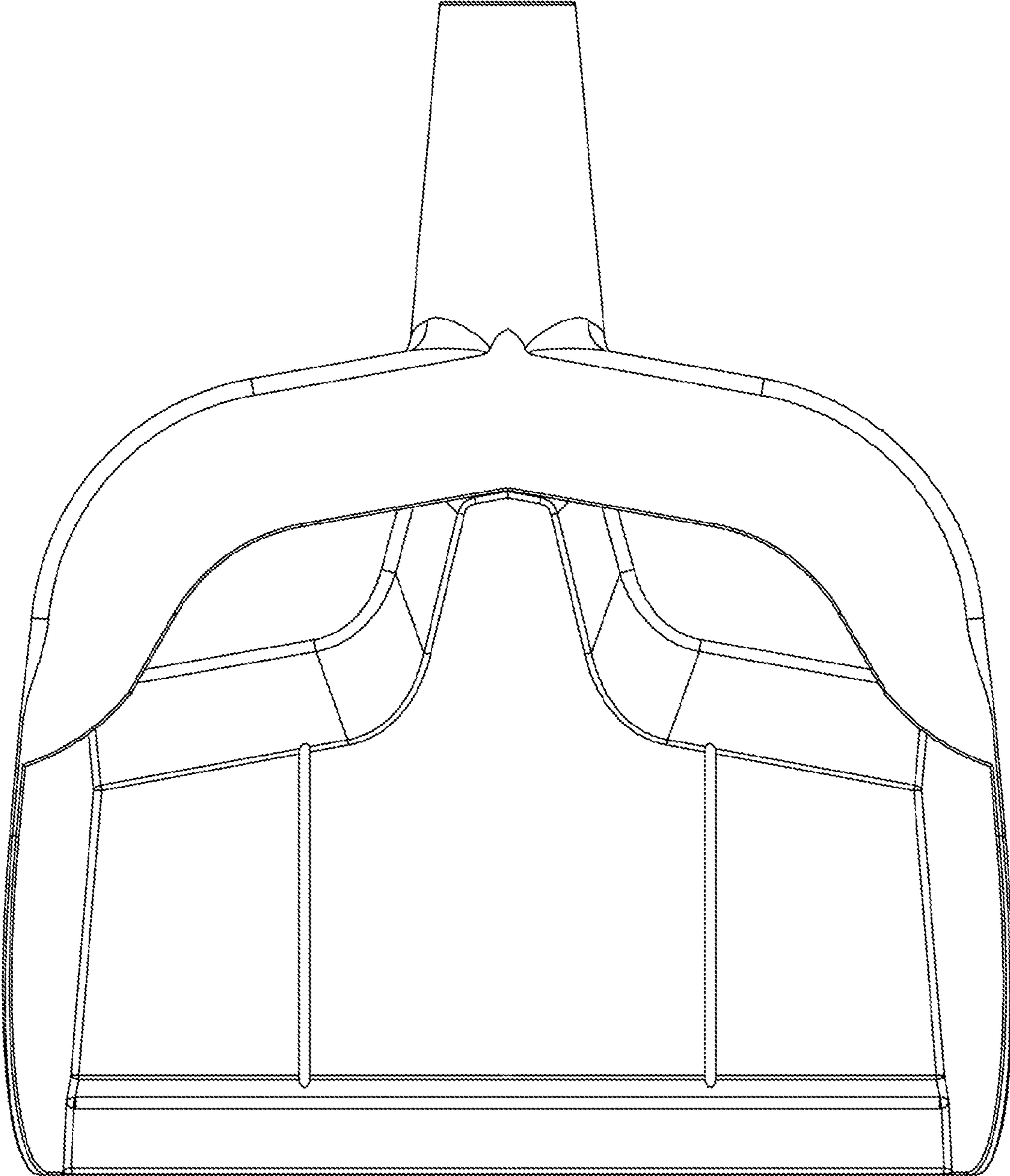


Figure 2

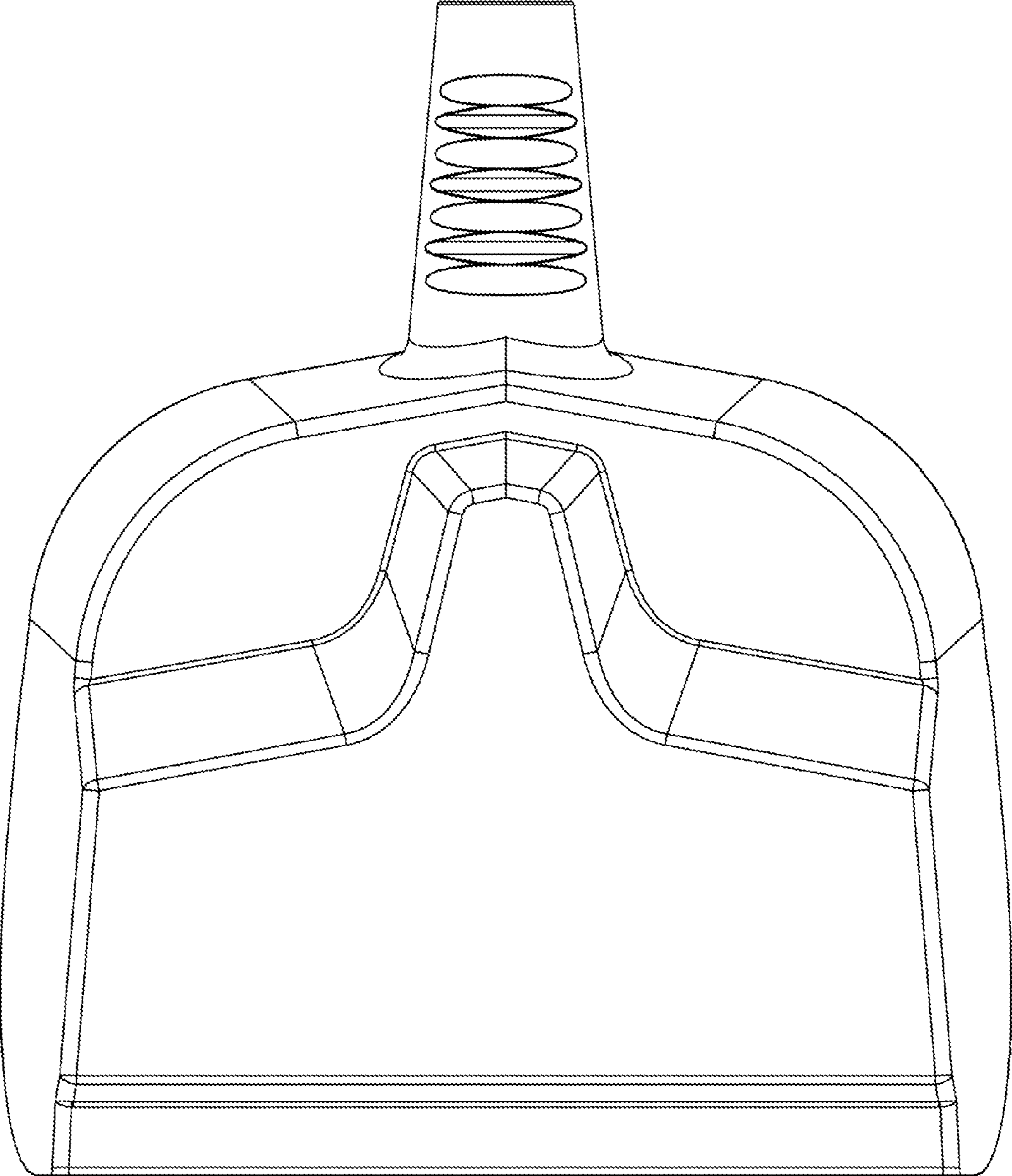


Figure 3

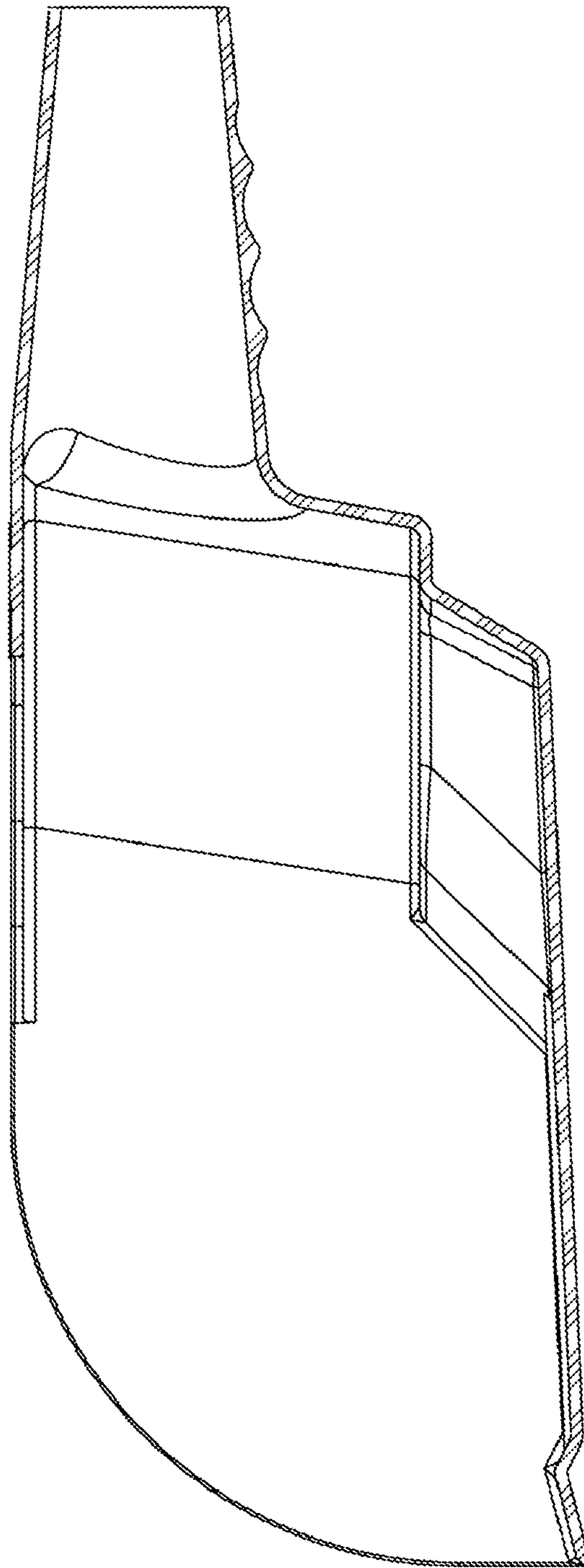


Figure 4

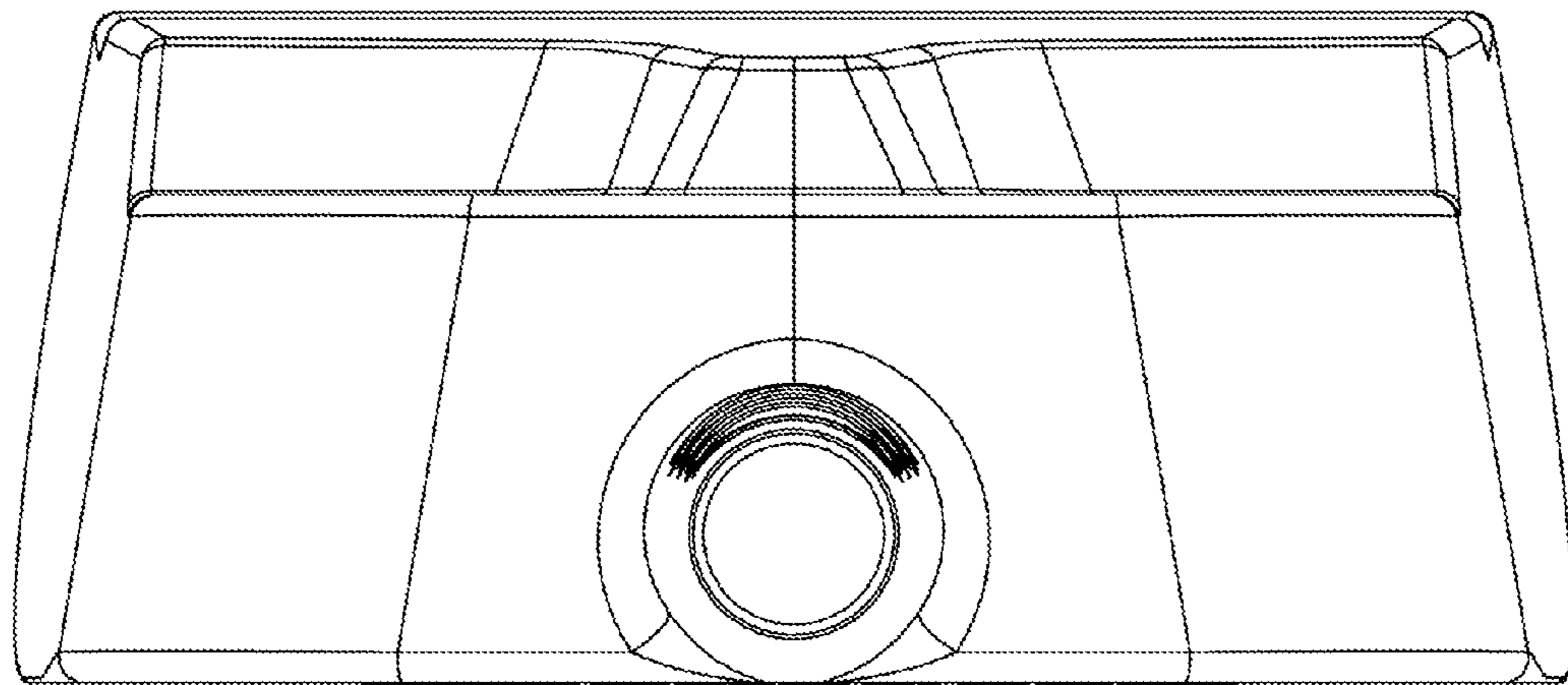


Figure 5

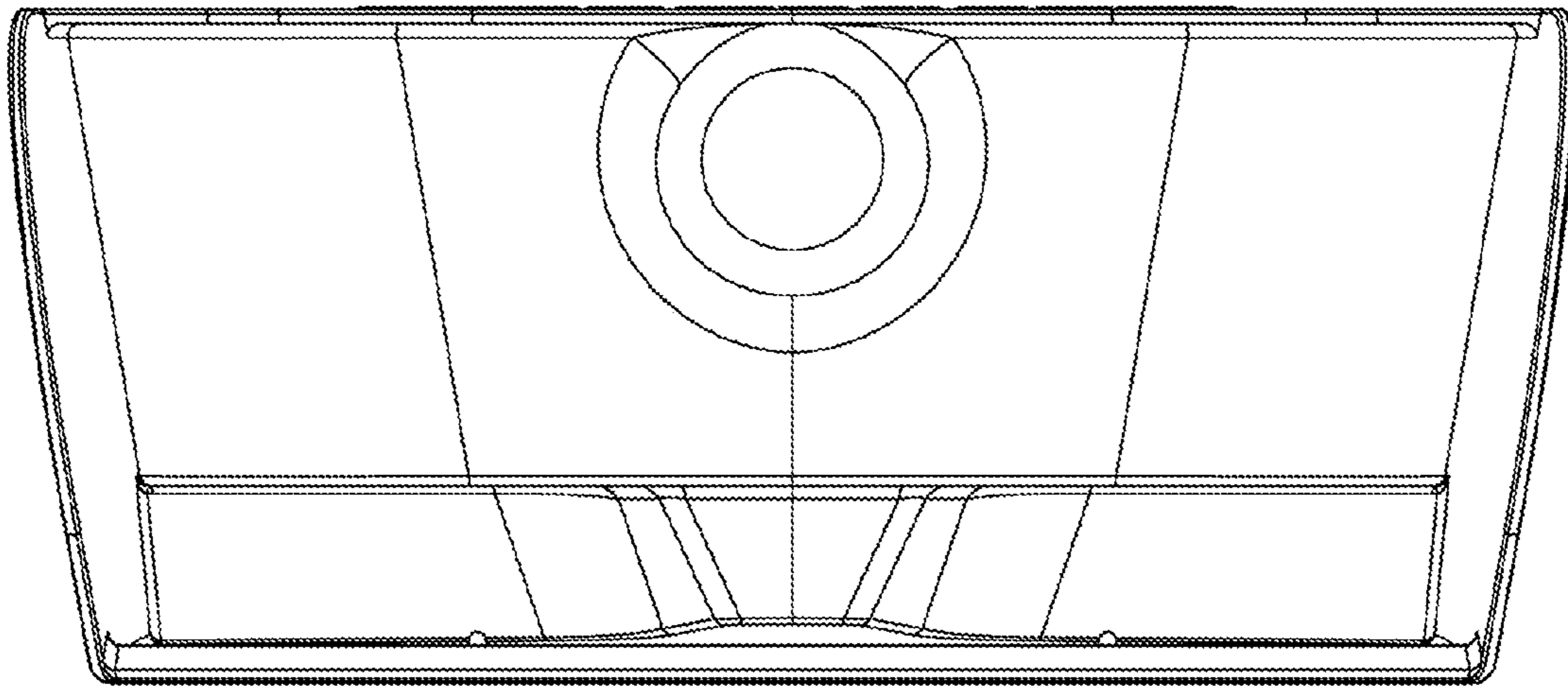


Figure 6