

US00D599070S

(12) **United States Design Patent**
Hosoda et al.

(10) **Patent No.:** **US D599,070 S**
(45) **Date of Patent:** **** Aug. 25, 2009**

(54) **IRON**

D567,461 S * 4/2008 Poon D32/69

(75) Inventors: **Syuuichi Hosoda**, Osaka (JP);
Fumiyasu Nakano, Osaka (JP); **Kiyooki Konno**, Osaka (JP)

FOREIGN PATENT DOCUMENTS

CN	300731775D	1/2008
EP	000881644-0004	10/2008
EP	000881644-0007	10/2008
EP	000881644-0008	10/2008
JP	D841278	7/1992
JP	D1306892	7/2007

(73) Assignee: **Panasonic Corporation**, Osaka (JP)

(**) Term: **14 Years**

* cited by examiner

(21) Appl. No.: **29/335,478**

Primary Examiner—Pamela J Burgess

(22) Filed: **Apr. 16, 2009**

(74) *Attorney, Agent, or Firm*—Brinks Hofer Gilson & Lione

(51) **LOC (9) Cl.** **07-05**

(57) **CLAIM**

(52) **U.S. Cl.** **D32/68**

(58) **Field of Classification Search** D32/68-72;
38/77.1-77.9, 74, 88, 90; 219/245-248
See application file for complete search history.

We claim the ornamental design for an iron, as shown and described.

DESCRIPTION

(56) **References Cited**

U.S. PATENT DOCUMENTS

4,484,399	A *	11/1984	Biancalani	38/77.3
D313,683	S *	1/1991	Tien-Lai	D32/68
6,249,996	B1 *	6/2001	Dorber et al.	38/77.5
D456,104	S	4/2002	Saltet		
D490,953	S *	6/2004	Fujita	D32/70
D511,232	S *	11/2005	Barquin Santillan et al.	.	D32/35
D524,004	S *	6/2006	Picozza et al.	D32/70
D530,474	S *	10/2006	Barquin Santillan	D32/70
D530,872	S *	10/2006	Barquin Santillan et al.	.	D32/70
D531,371	S *	10/2006	Barquin Santillan et al.	.	D32/70
D538,990	S *	3/2007	Poon	D32/70

FIG. 1 is a front perspective view of an iron of the present invention;

FIG. 2 is a front view thereof;

FIG. 3 is a top view thereof;

FIG. 4 is a bottom view thereof;

FIG. 5 is a first side view thereof;

FIG. 6 is a second side view thereof;

FIG. 7 is a rear view thereof; and,

FIG. 8 is a rear perspective view thereof.

1 Claim, 8 Drawing Sheets

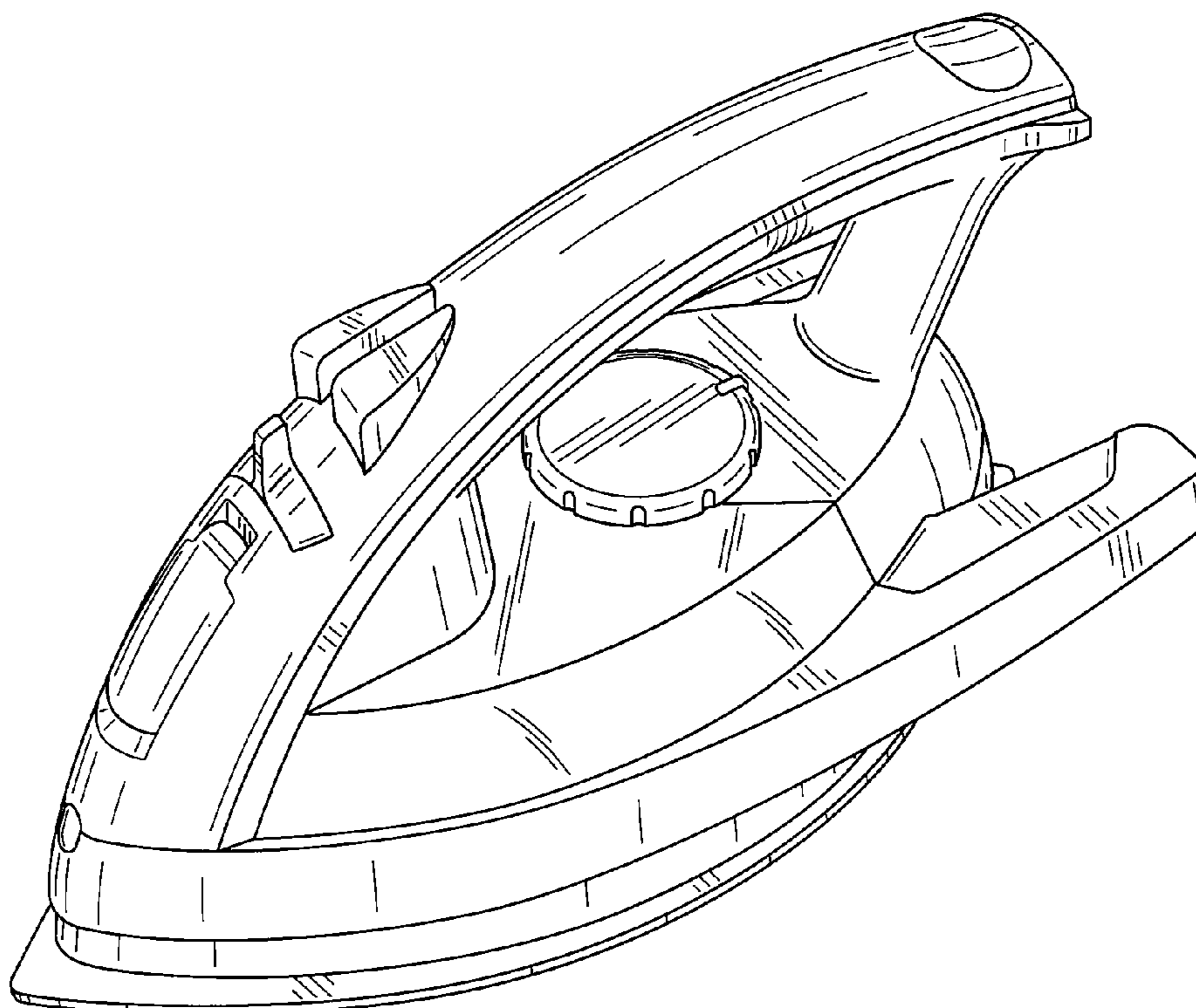


FIG.1

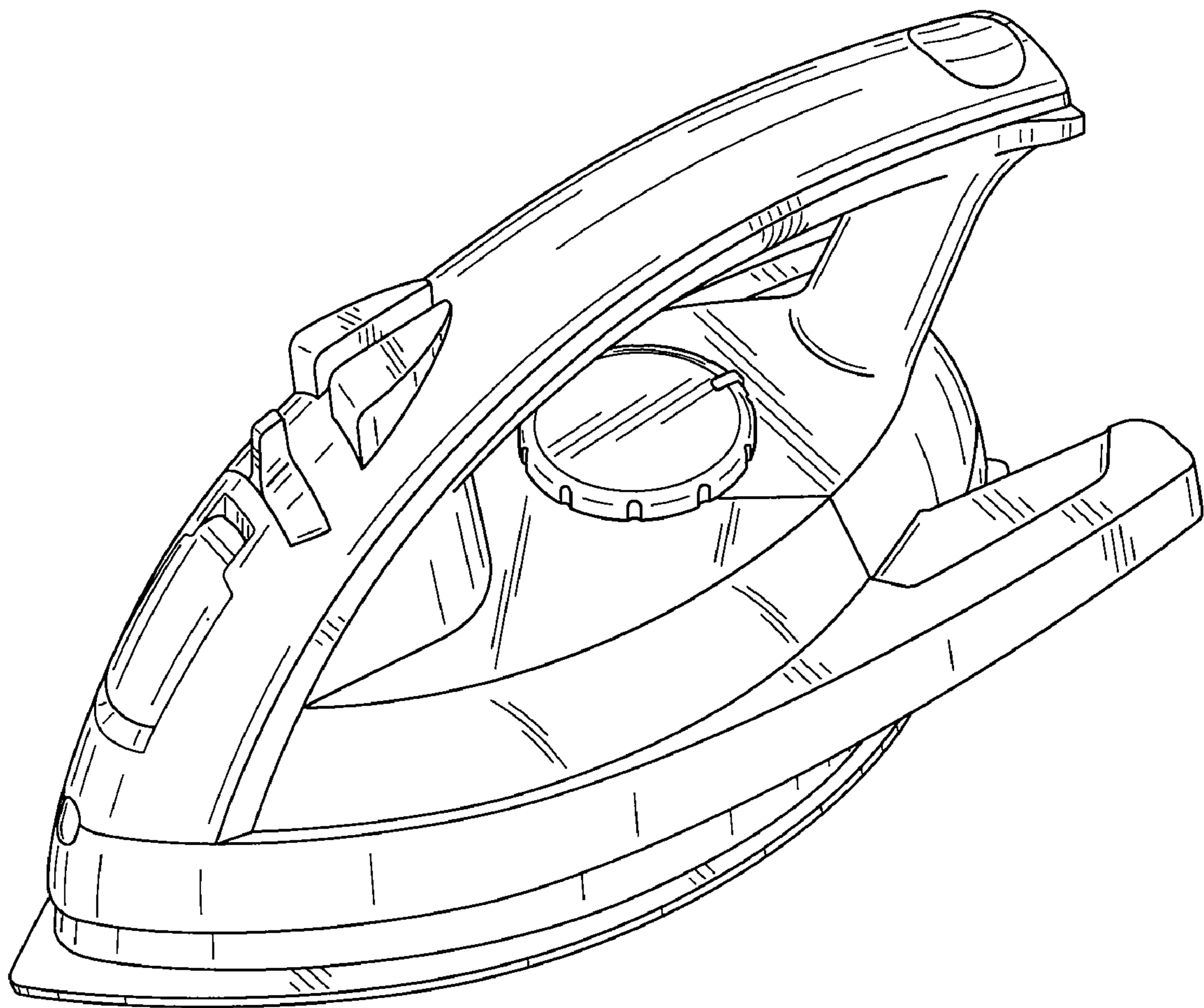


FIG.2

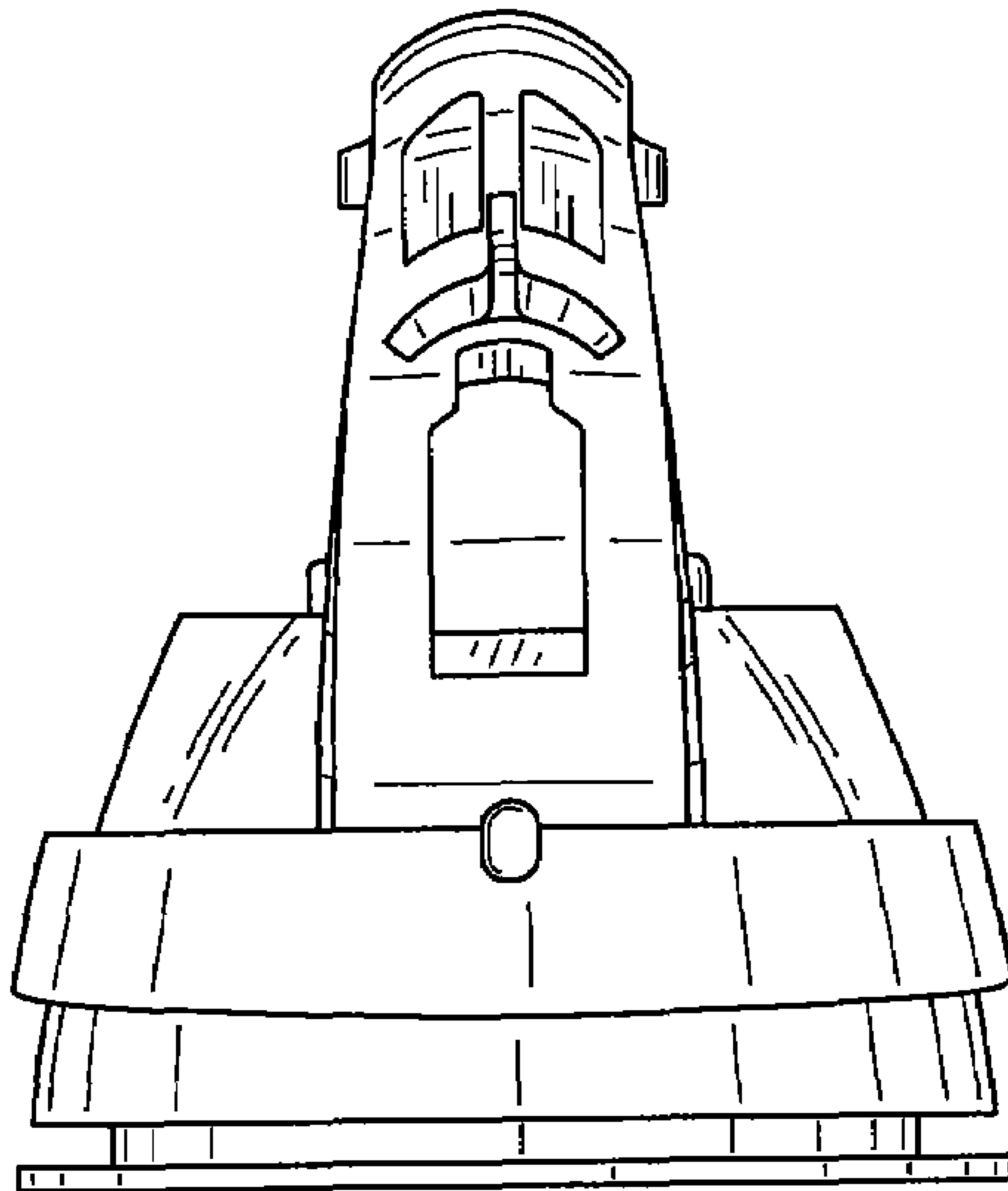


FIG.3

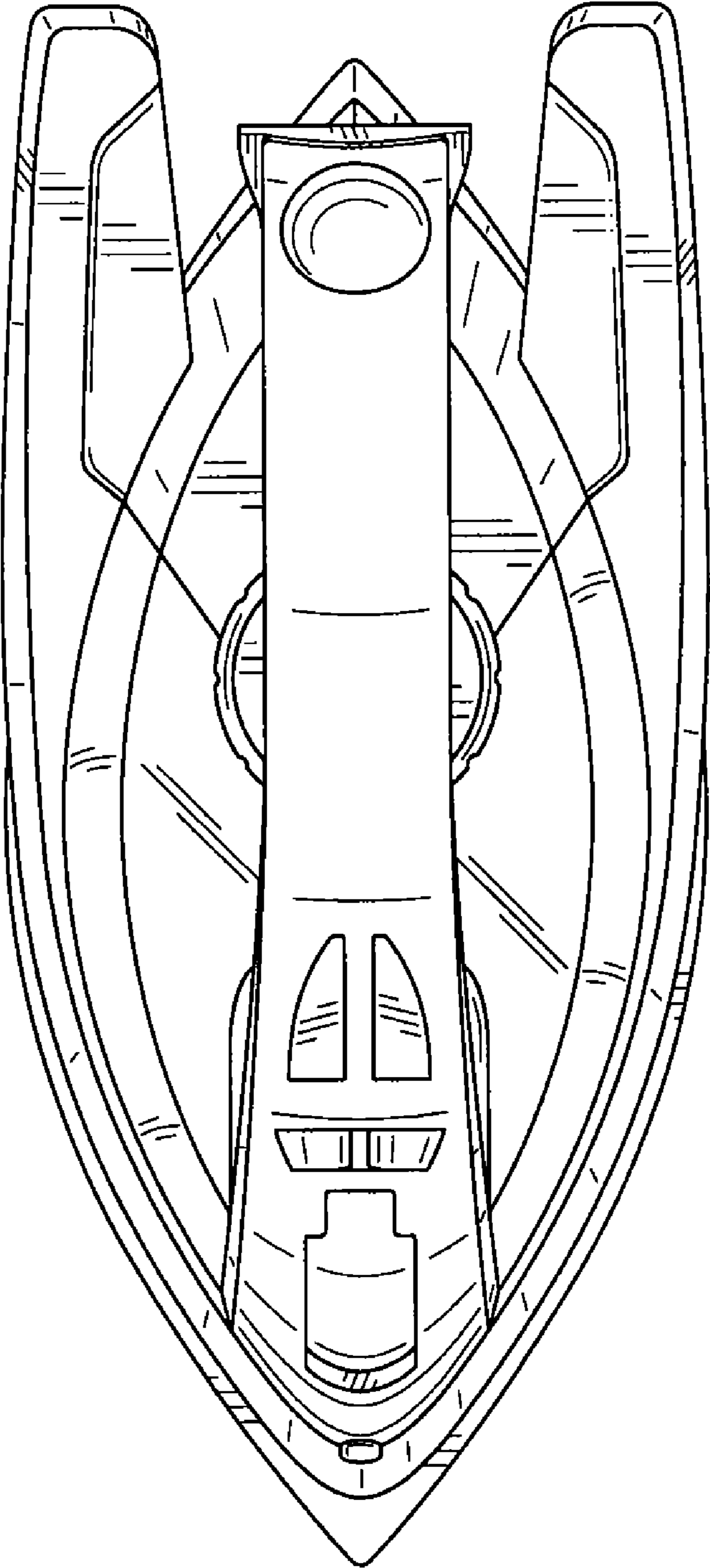


FIG.4

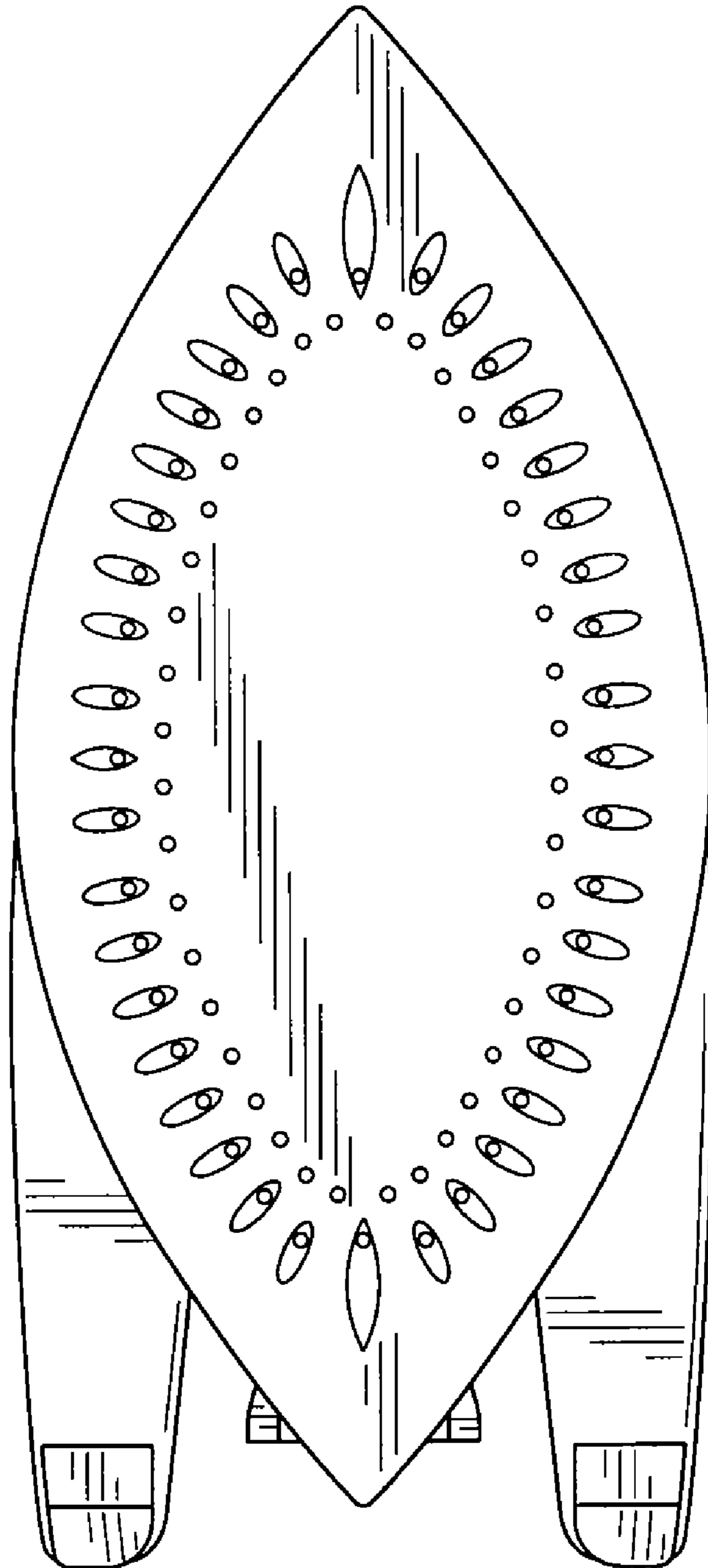


FIG.5

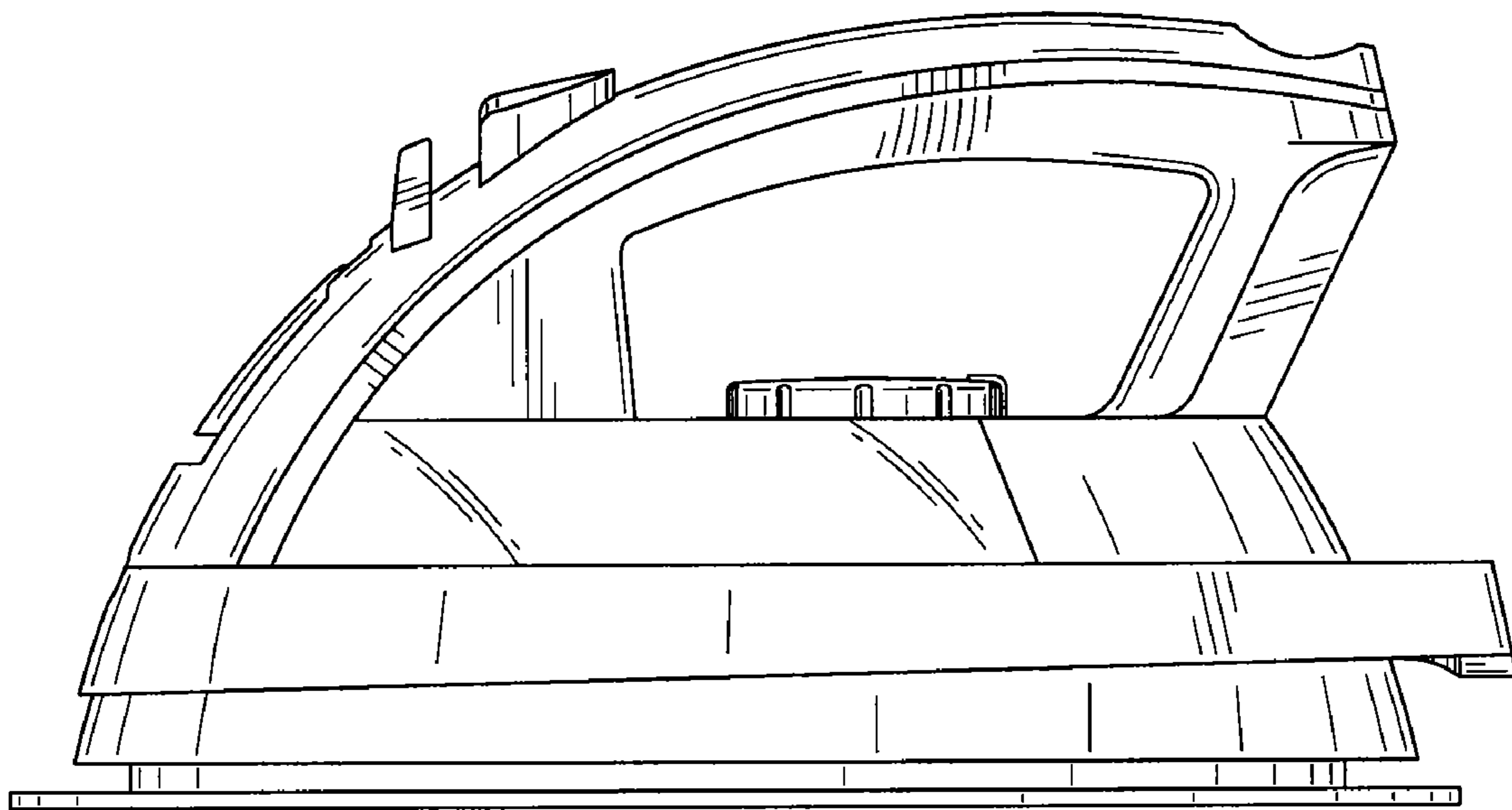


FIG.6

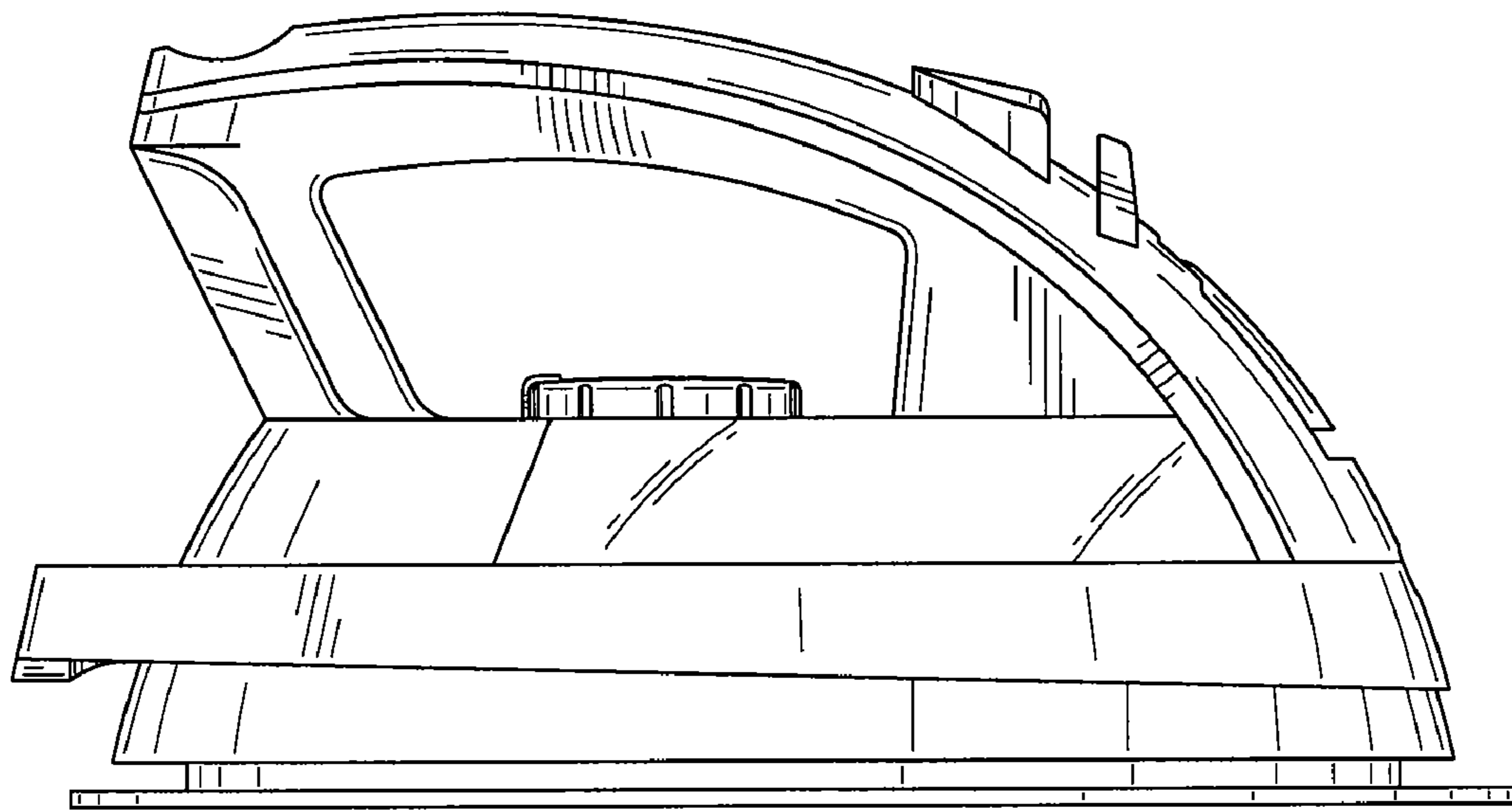


FIG.7

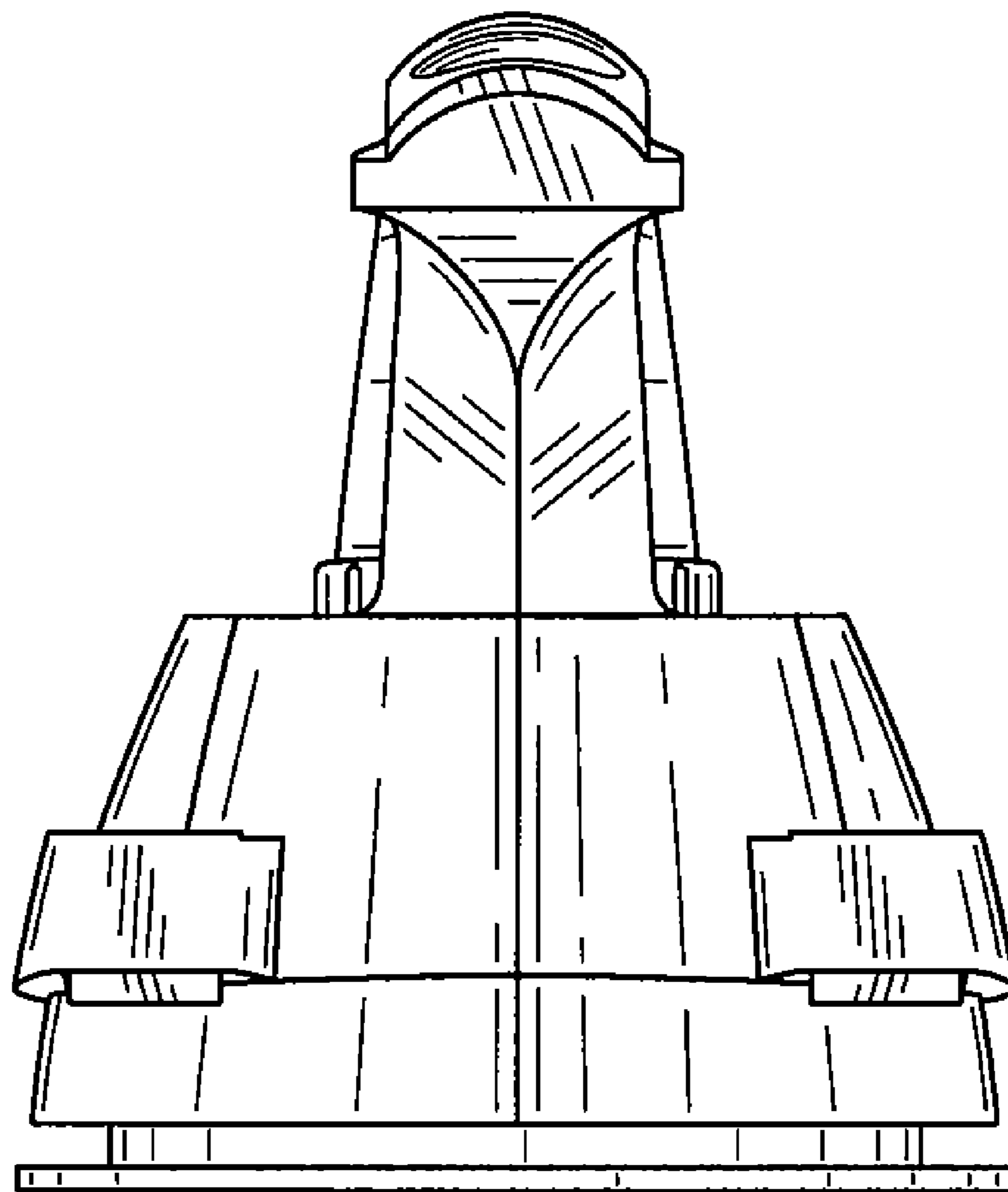


FIG.8

