



US00D599068S

(12) **United States Design Patent**  
**Yang et al.**

(10) **Patent No.:** **US D599,068 S**  
(45) **Date of Patent:** **\*\* Aug. 25, 2009**

(54) **DISHRACK**

(75) Inventors: **Frank Yang**, Rancho Palos Verdes, CA (US); **Tzu-Hao Wei**, Hacienda Heights, CA (US); **Di-Fong Chang**, Torrance, CA (US)

(73) Assignee: **Simplehuman LLC**, Torrance, CA (US)

(\*\*) Term: **14 Years**

(21) Appl. No.: **29/312,584**

(22) Filed: **Oct. 30, 2008**

(51) **LOC (9) Cl.** ..... **07-05**

(52) **U.S. Cl.** ..... **D32/55**

(58) **Field of Classification Search** ..... D32/55-58;  
4/637, 656; 211/41.2-41.4, 41.8-41.9, 85.25,  
211/126.8-126.9, 181.1; 220/485, 487-488,  
220/494, 572; D6/462

See application file for complete search history.

(56) **References Cited**

**U.S. PATENT DOCUMENTS**

D174,073 S \* 2/1955 Bliss ..... D32/55  
2,885,087 A \* 5/1959 Bliss ..... 211/41.4  
D189,311 S \* 11/1960 Chulstoffersen ..... D32/55  
3,032,203 A \* 5/1962 Romero ..... 211/41.4

5,158,184 A \* 10/1992 Craft et al. .... 211/41.3  
D363,578 S \* 10/1995 Brightbill et al. .... D32/55  
D397,534 S \* 8/1998 Alvarez ..... D32/55  
D398,725 S \* 9/1998 Merkel ..... D32/55  
6,021,906 A \* 2/2000 Heien ..... 211/41.3  
D520,699 S \* 5/2006 Yang et al. .... D32/55

\* cited by examiner

*Primary Examiner*—Pamela J Burgess

(74) *Attorney, Agent, or Firm*—Liu & Liu

(57) **CLAIM**

The ornamental design for the dishrack, as shown and described.

**DESCRIPTION**

FIG. 1 is a right perspective view of a dishrack showing our new design;

FIG. 2 is a front view thereof;

FIG. 3 is a rear view thereof;

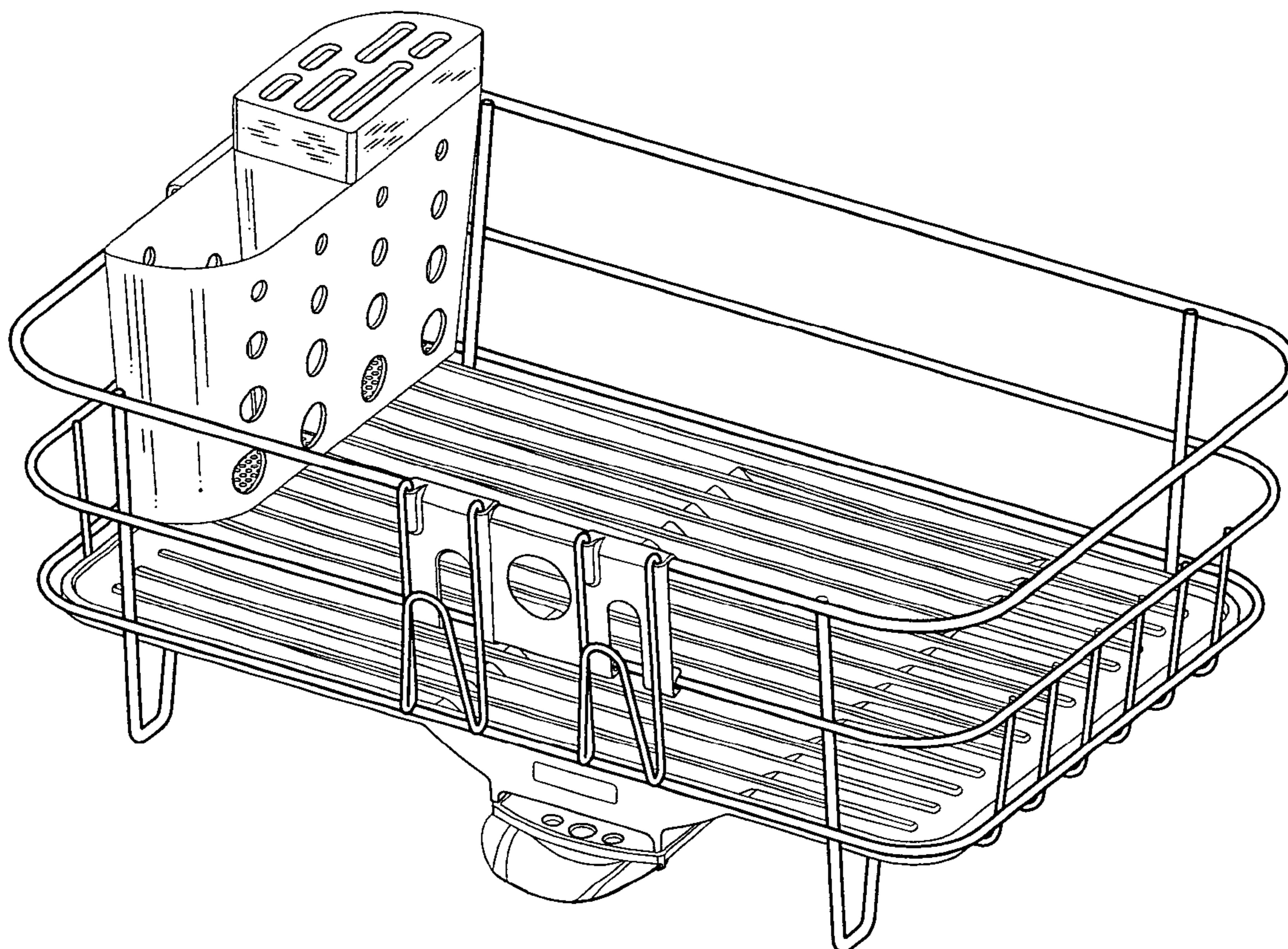
FIG. 4 is a right side view thereof;

FIG. 5 is a left side view thereof;

FIG. 6 is a top plan view thereof; and,

FIG. 7 is a bottom plan view thereof.

**1 Claim, 7 Drawing Sheets**



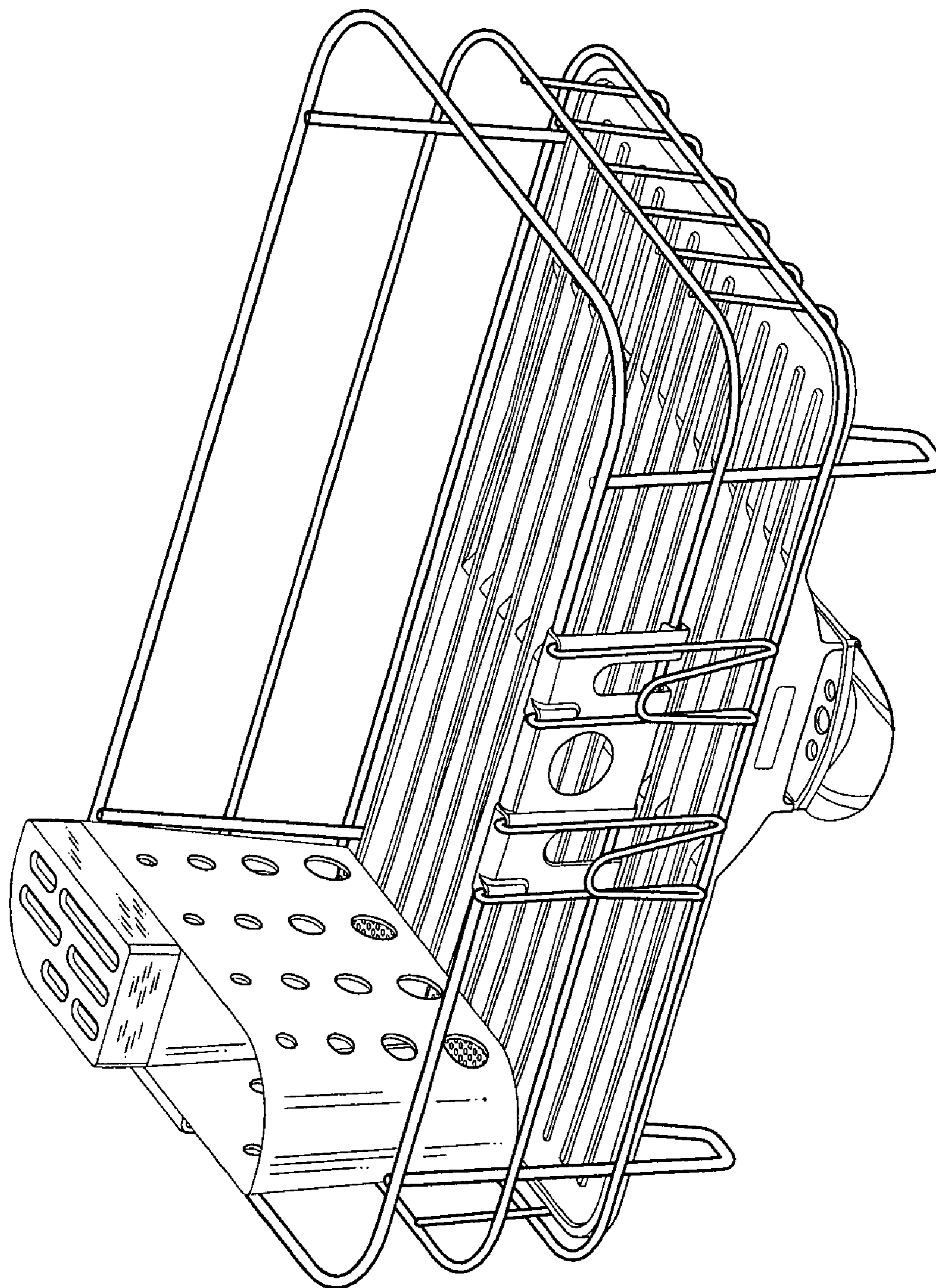


FIG. 1

FIG. 2

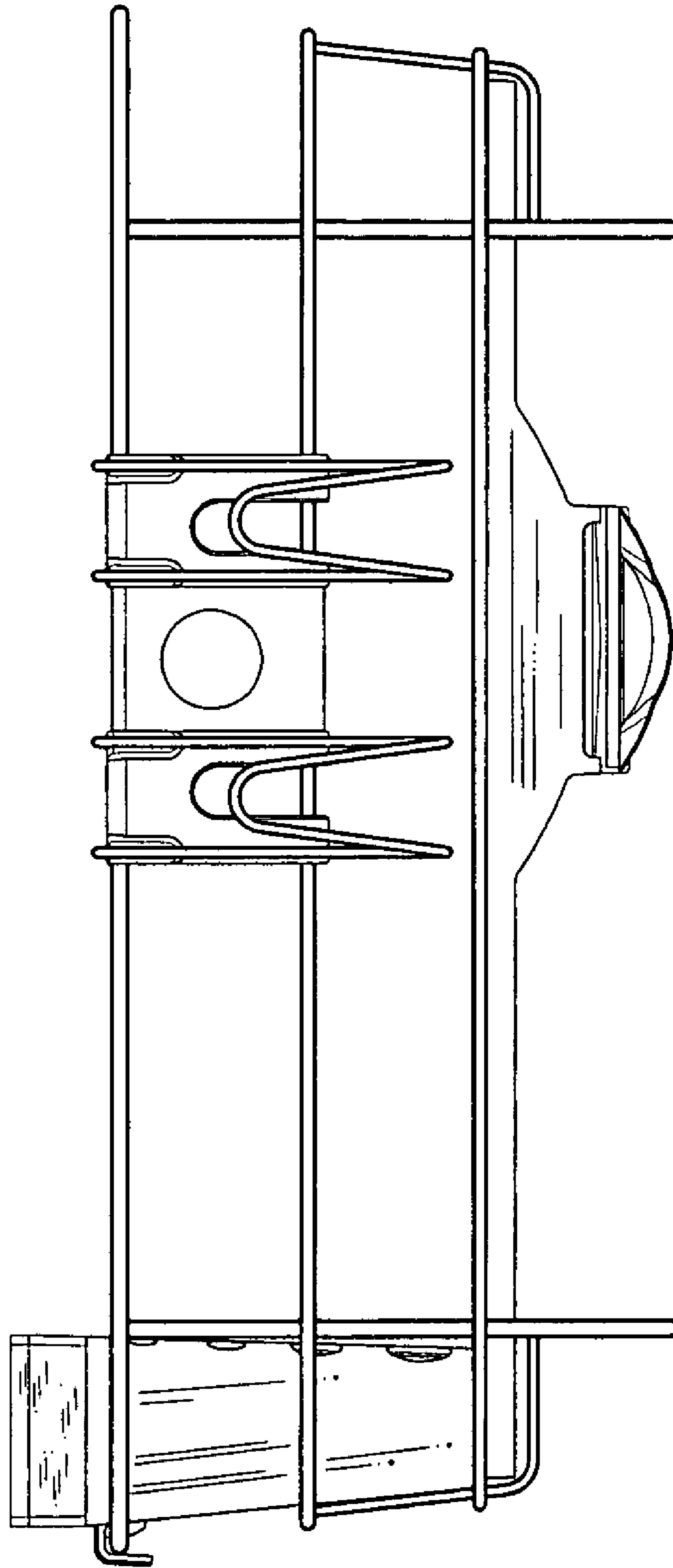


FIG. 3

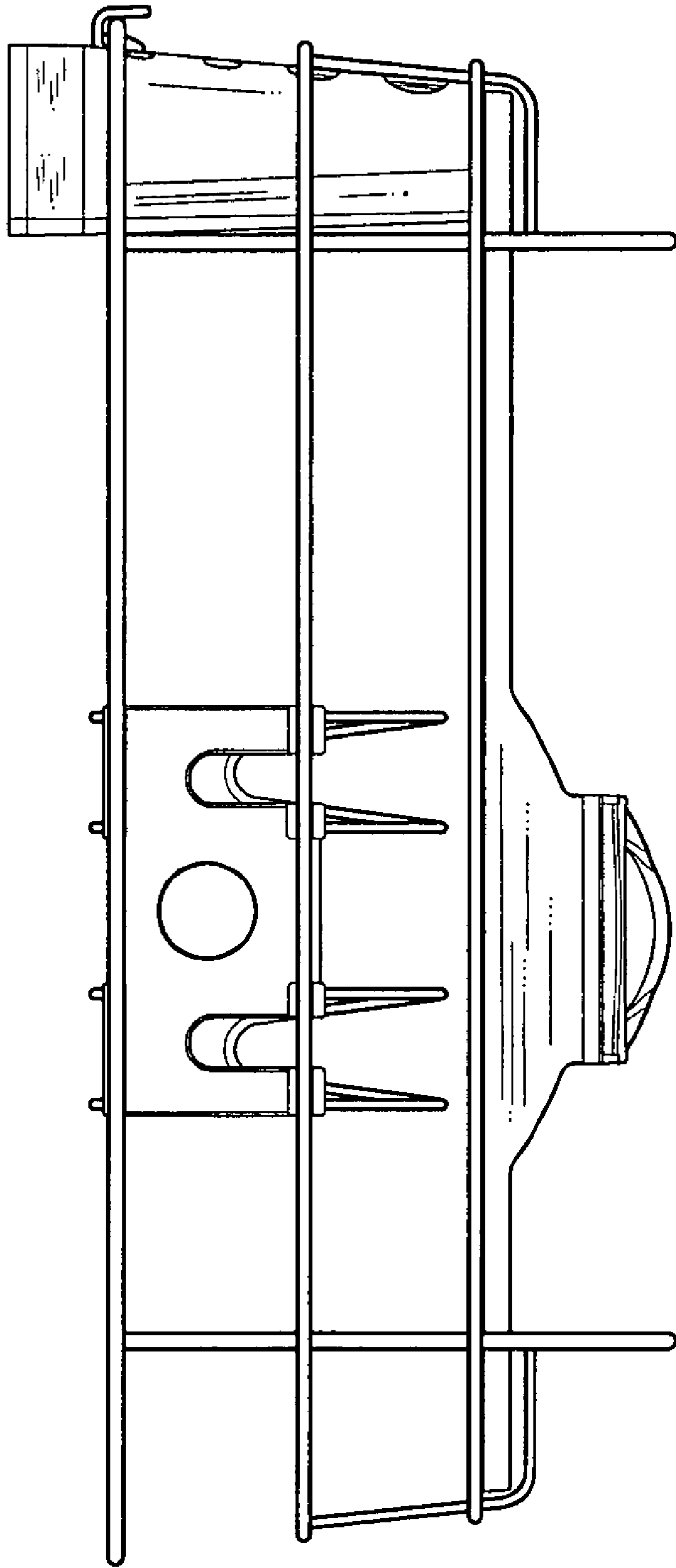




FIG. 4

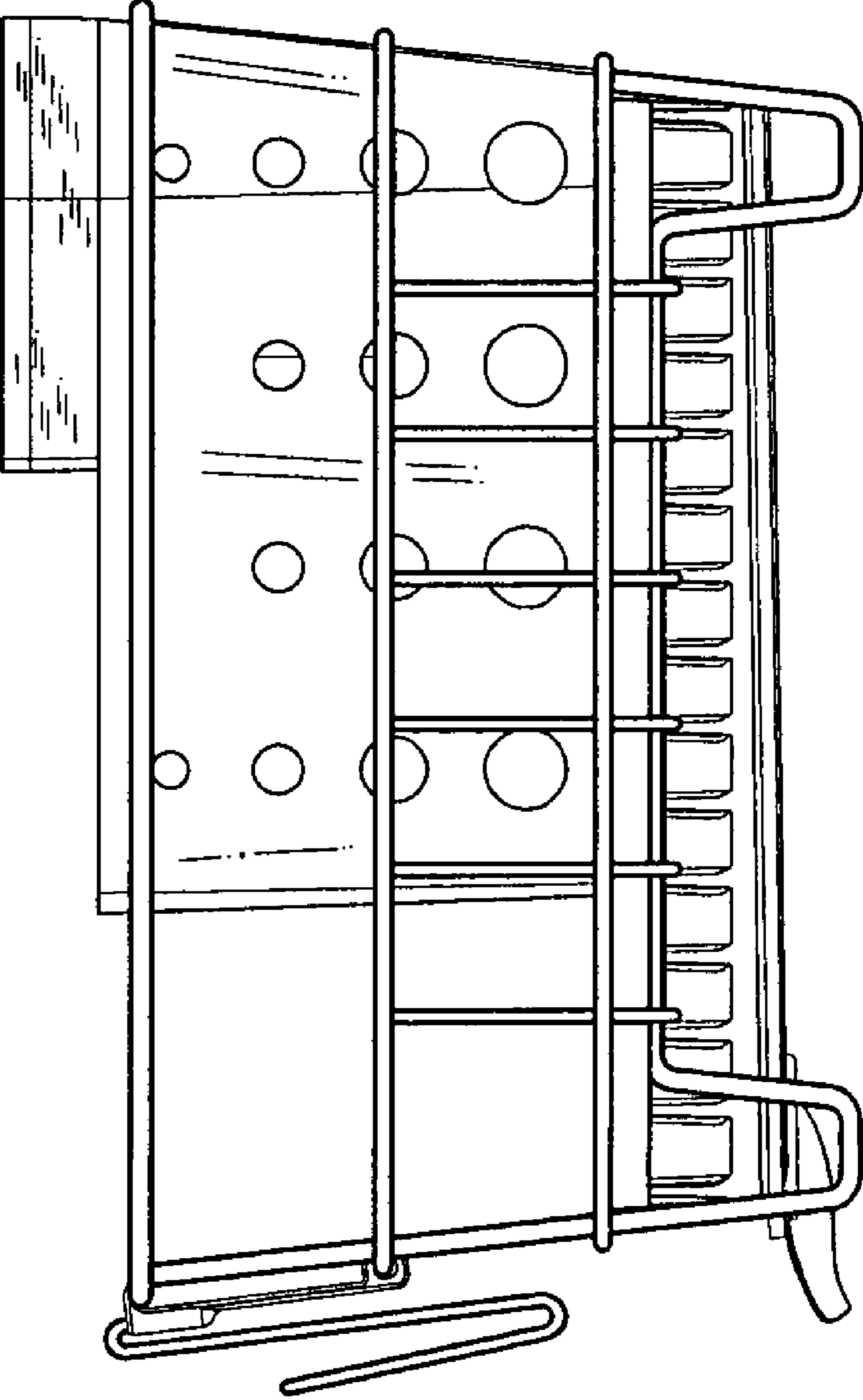
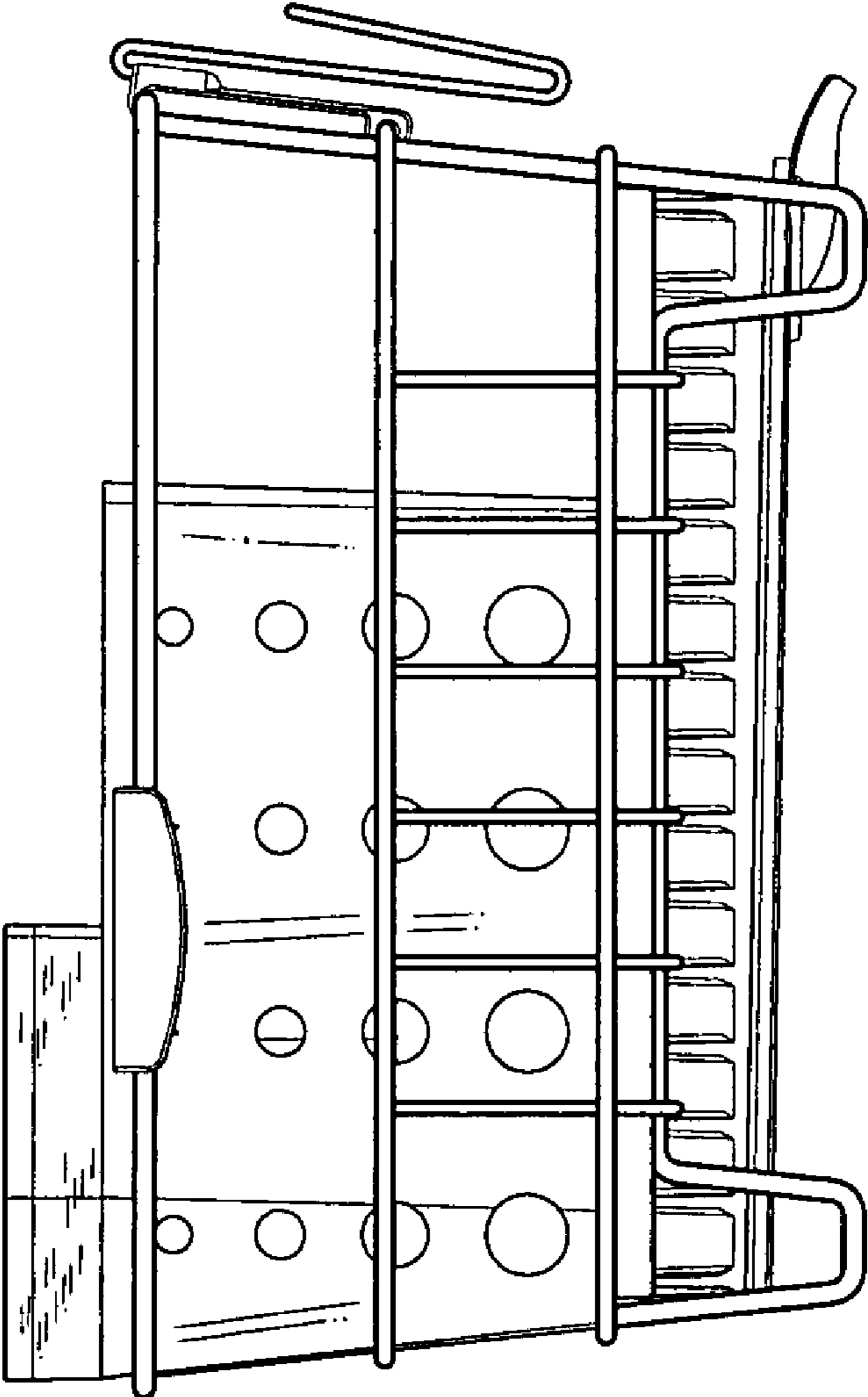


FIG. 5



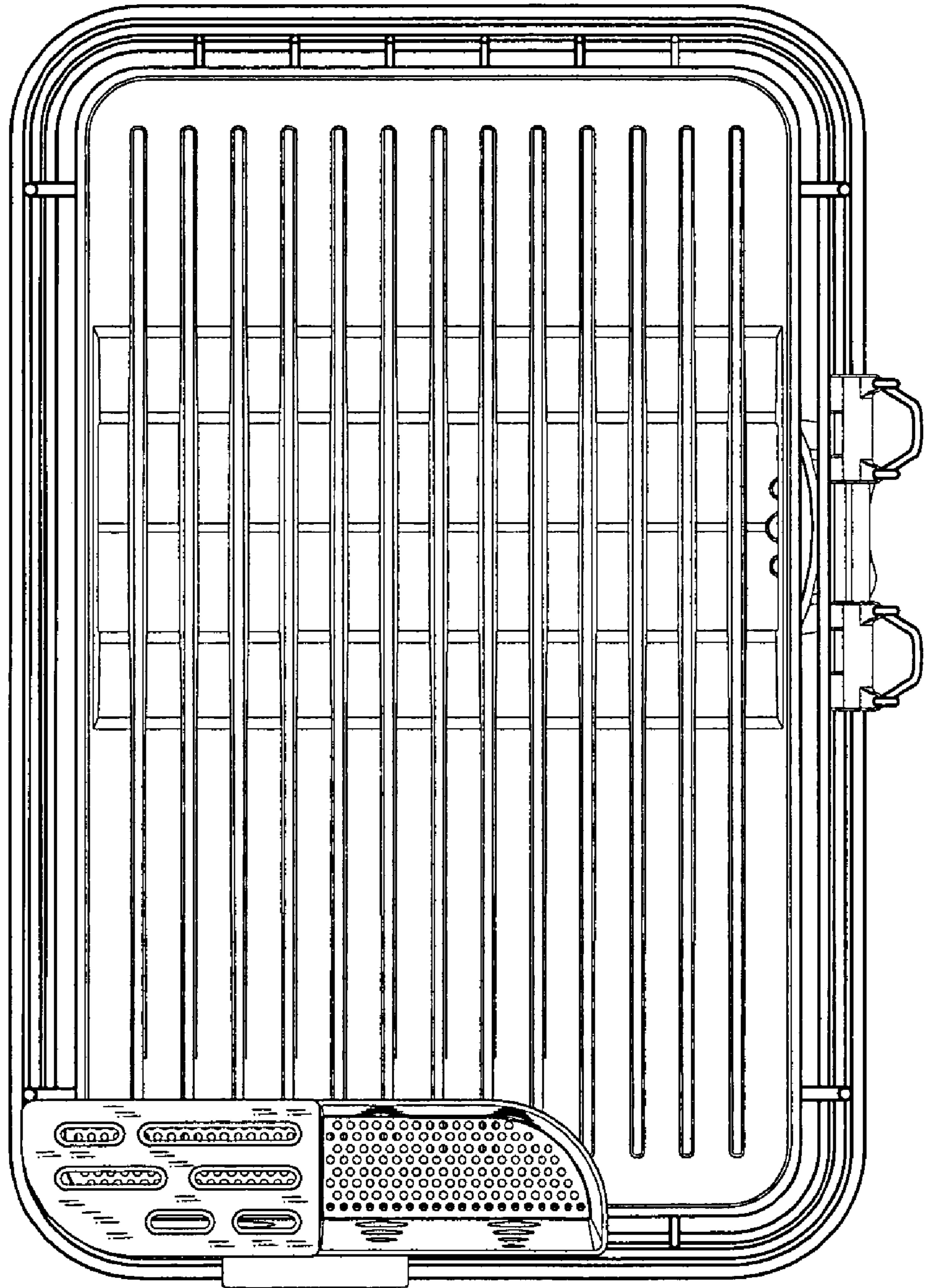


FIG. 6

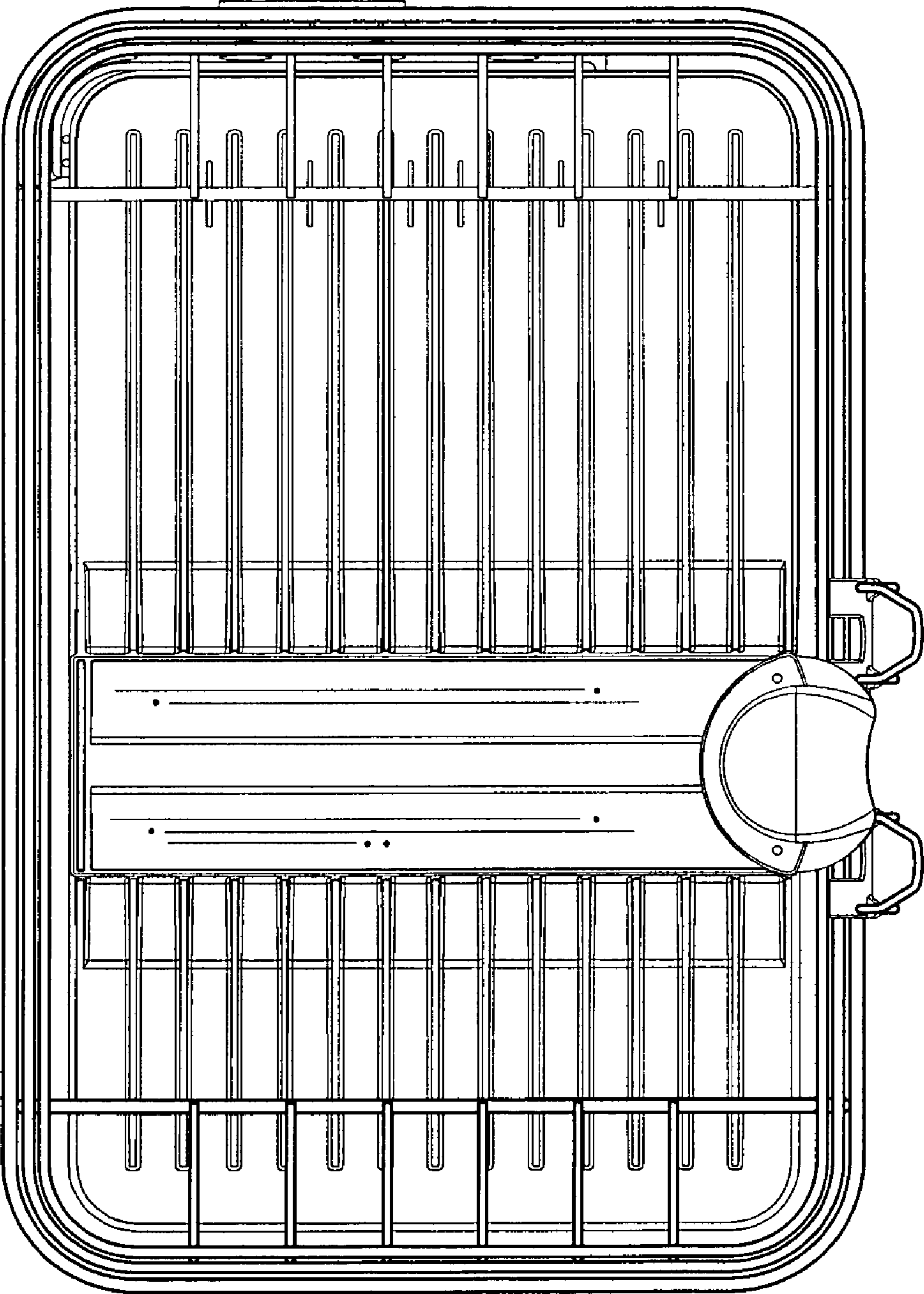


FIG. 7